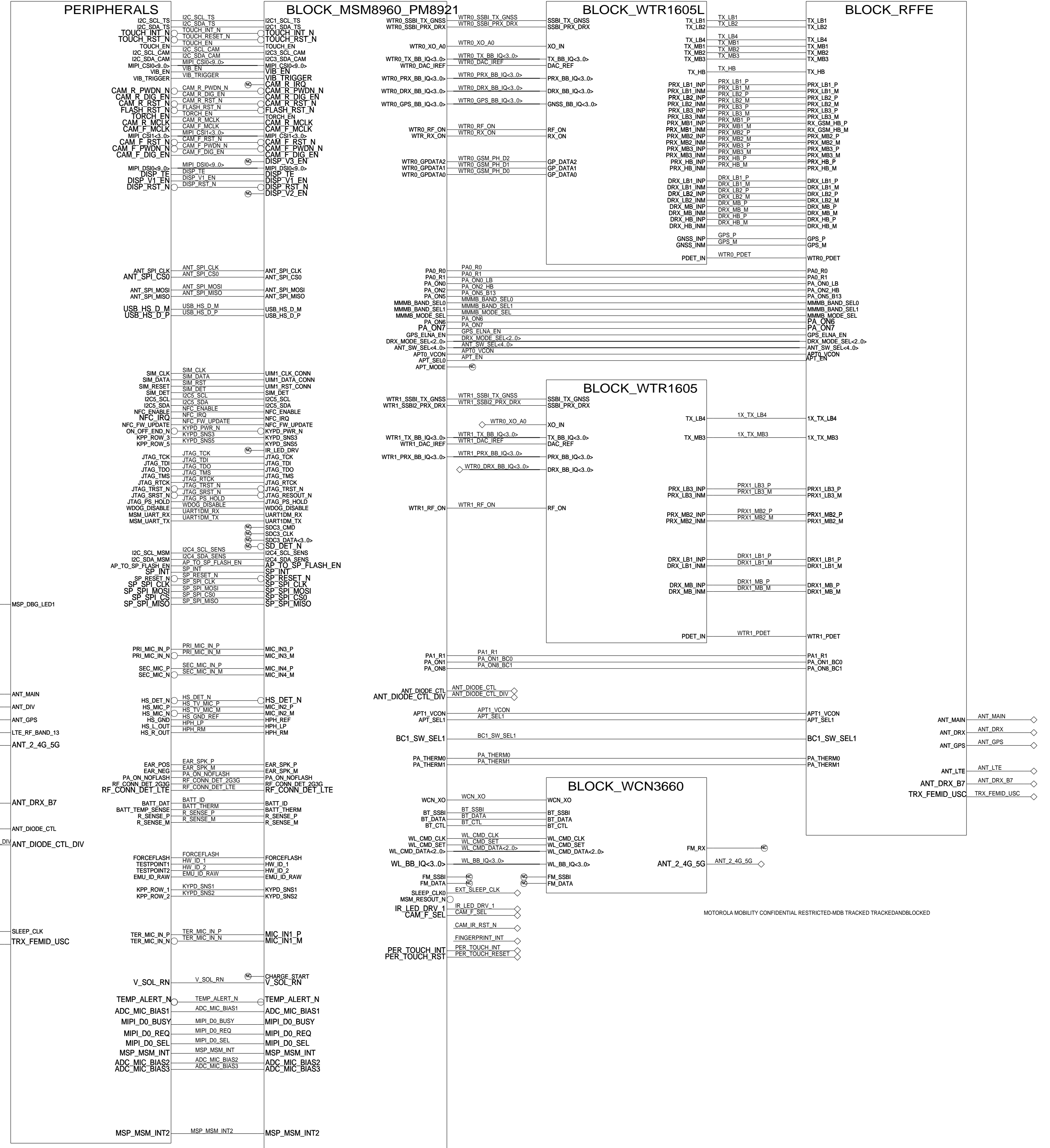


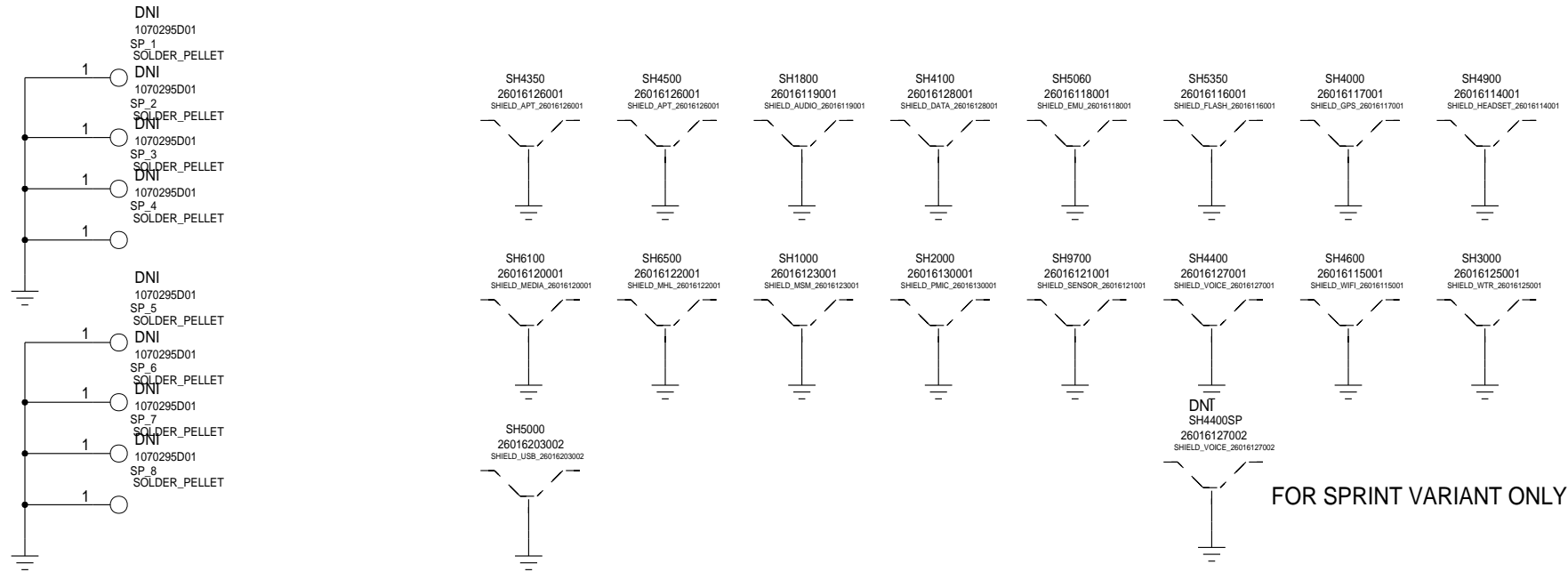
REVISIONS				
ZONE	LTR	DESCRIPTION	DATE	APPROVED



APPROVALS		MOTOROLA MOBILE DEVICES	
ENGINEER:	XFON TEAM	BLOCK TITLE:	xfon
LAST MODIFIED BY:	GIANCARLO M	PROJECT NAME:	xfon.cpm
	Fri Jun 21 20:41:35 2013	REV	01
MOTOROLA CONFIDENTIAL RESTRICTED		PAGE 1 OF 37	

MOTOROLA MOBILITY CONFIDENTIAL RESTRICTED-MDB TRACKED TRACKEDANDBLOCKED

XFON/SHIELDS

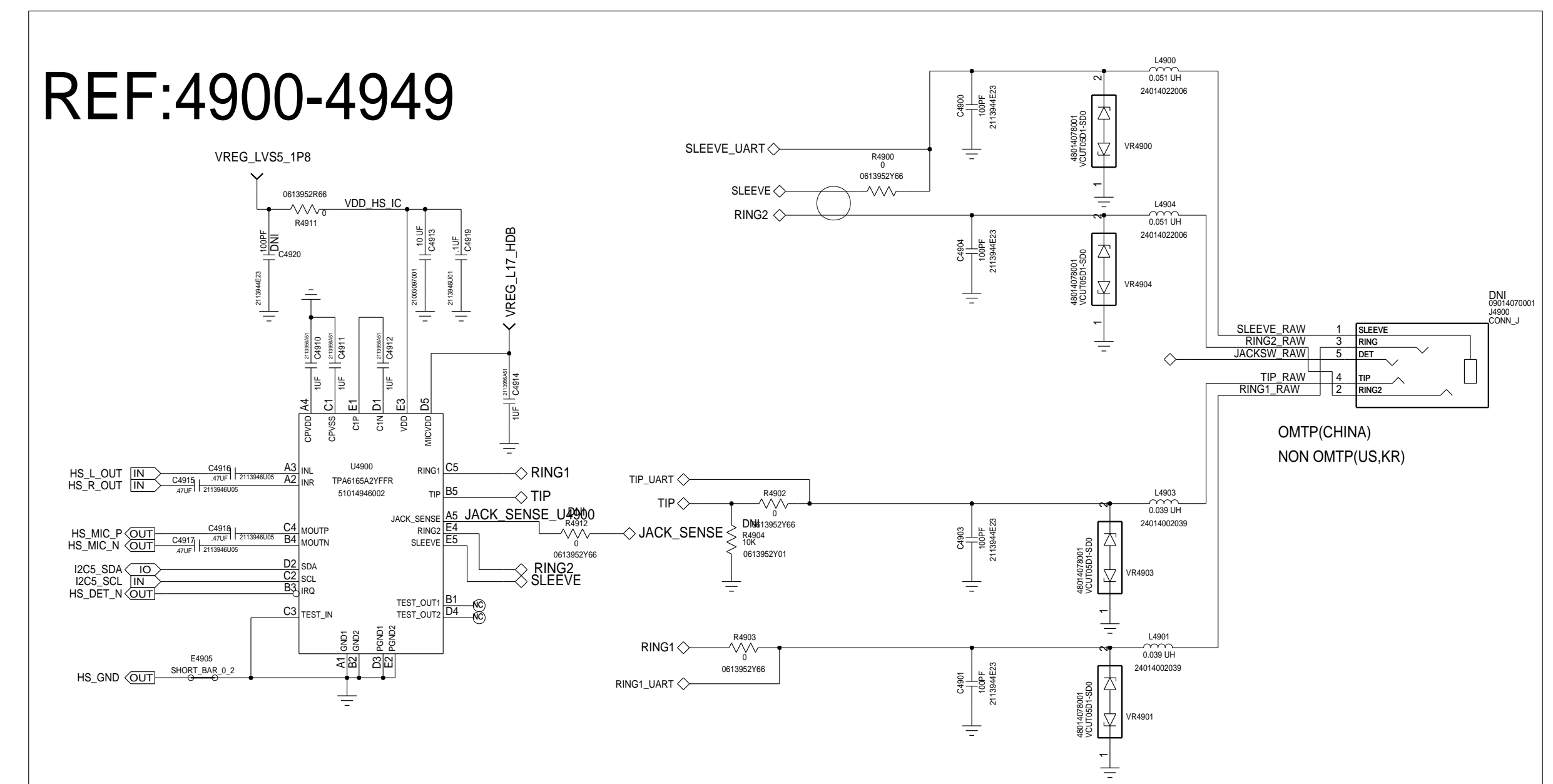
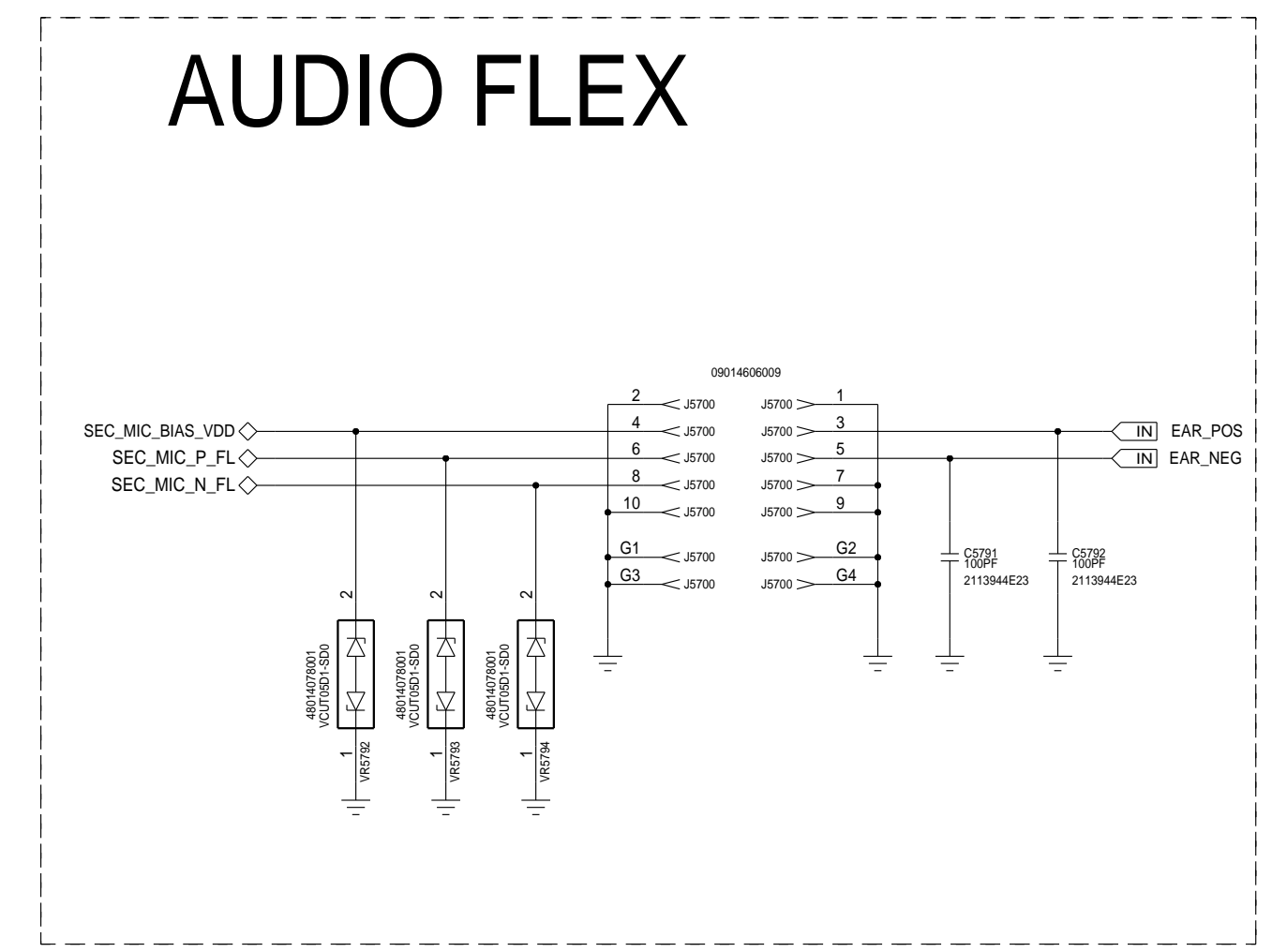
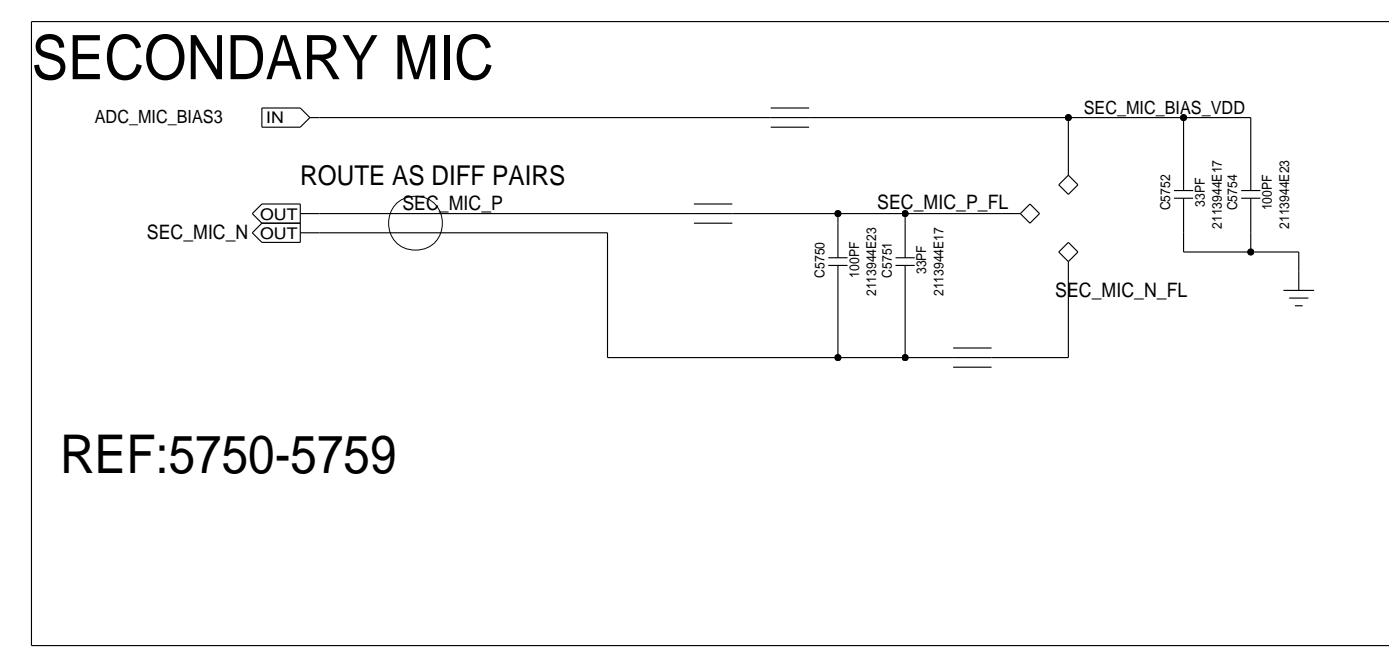
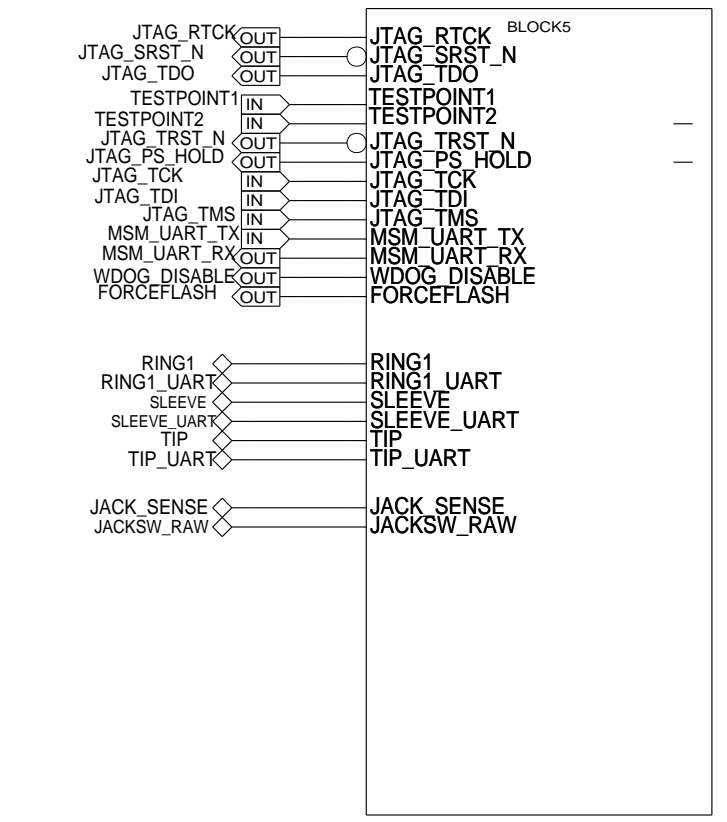
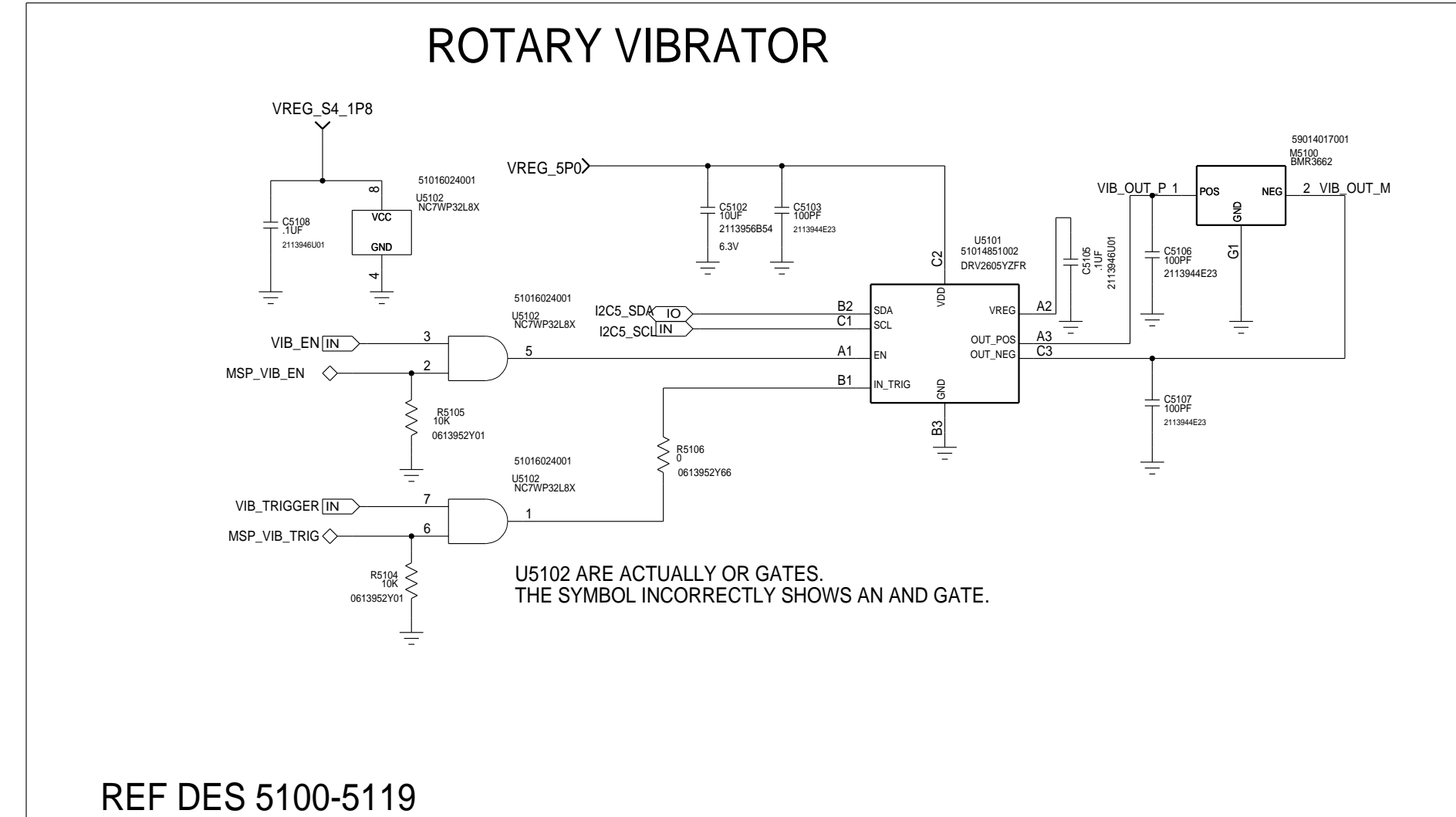
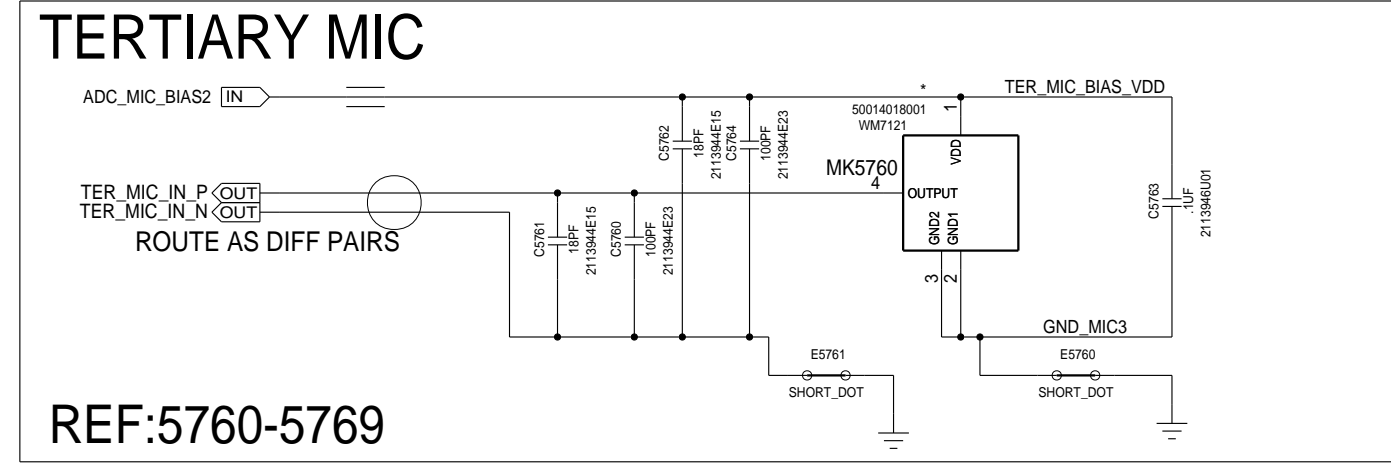
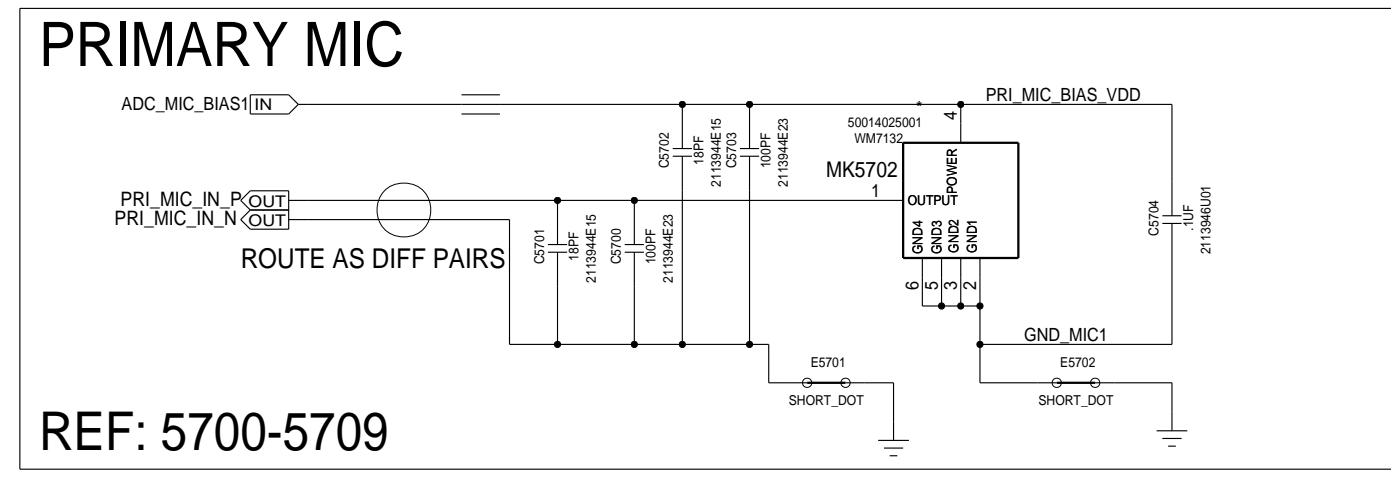


FOR SPRINT VARIANT ONLY

MOTOROLA MOBILITY CONFIDENTIAL RESTRICTED-MDB TRACKED TRACKEDANDBLOCKED

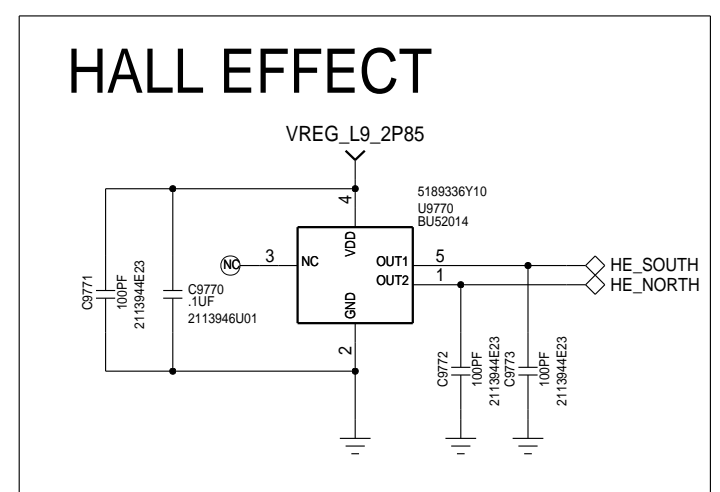
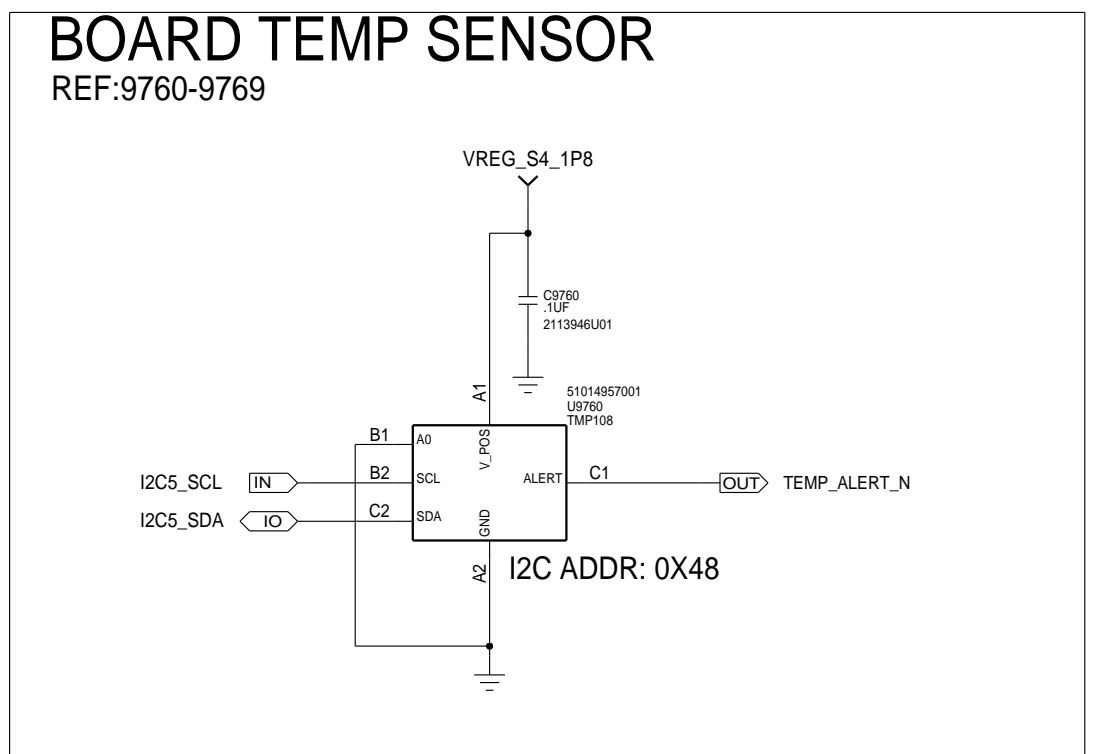
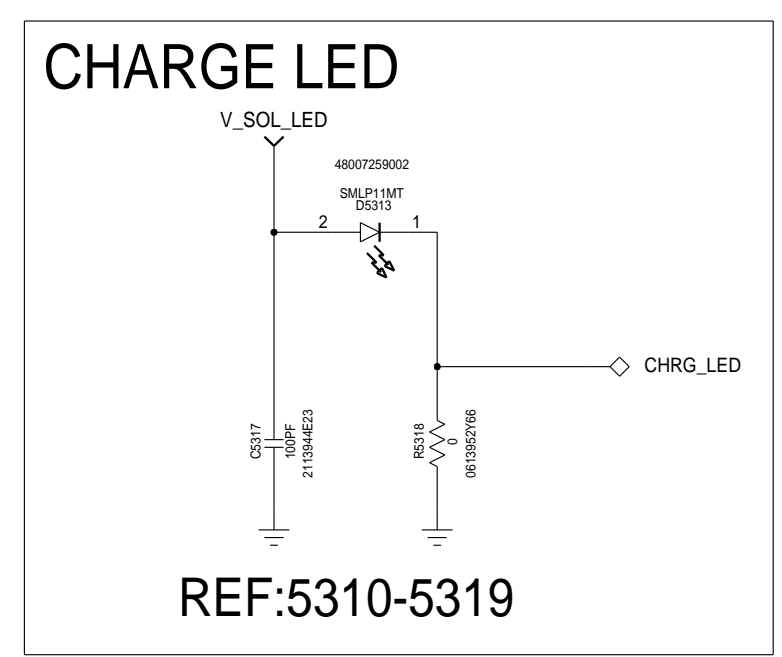
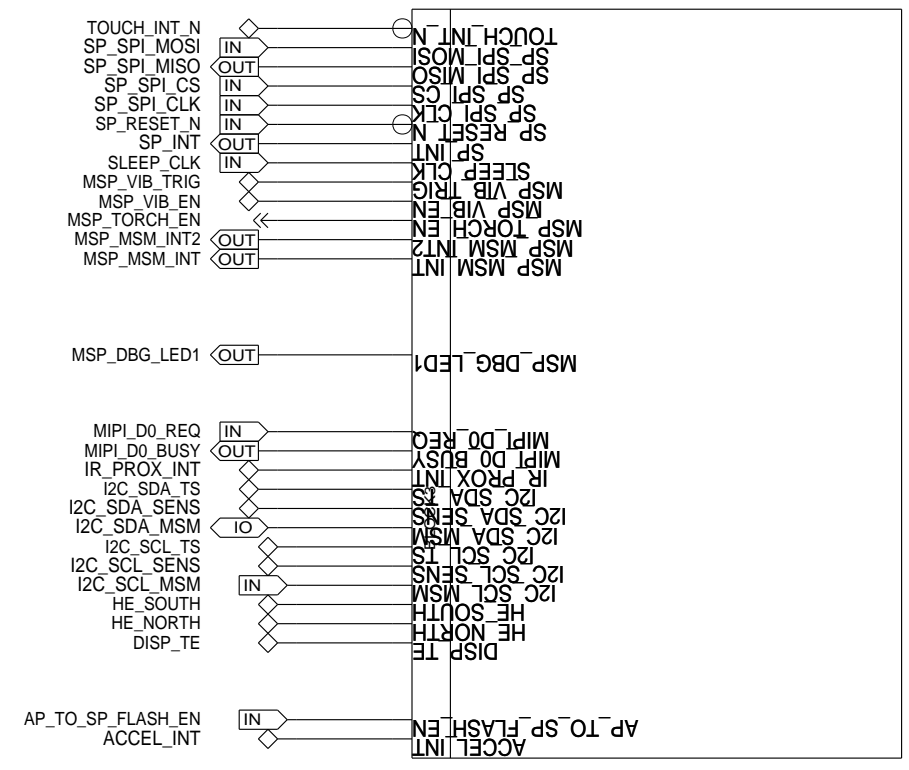
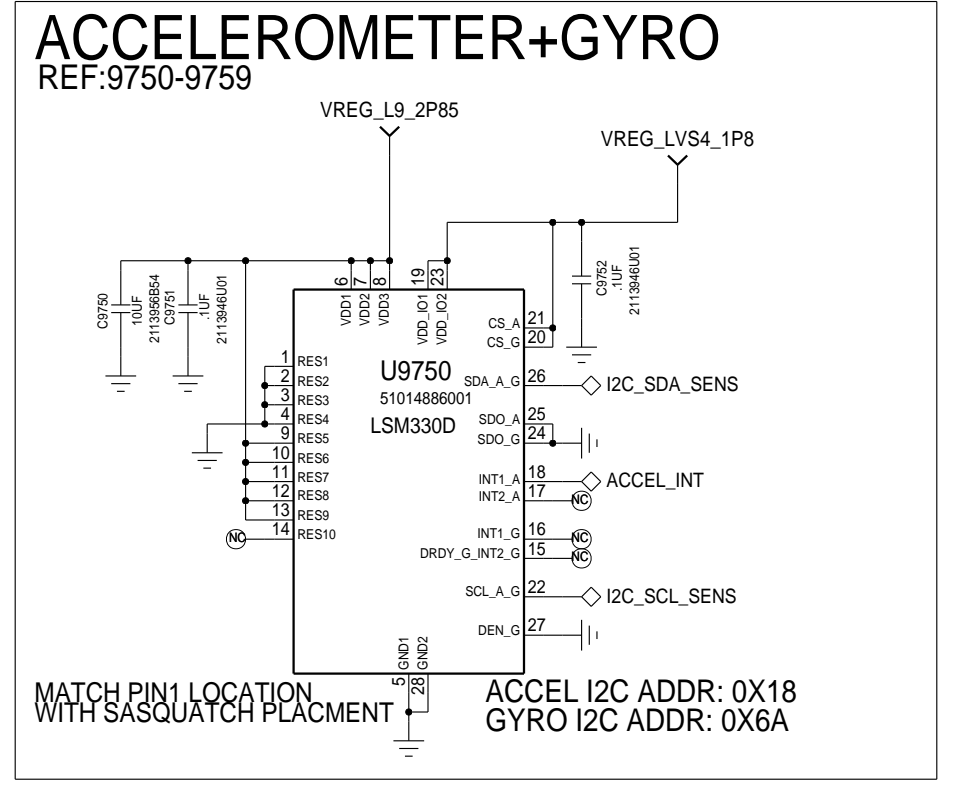
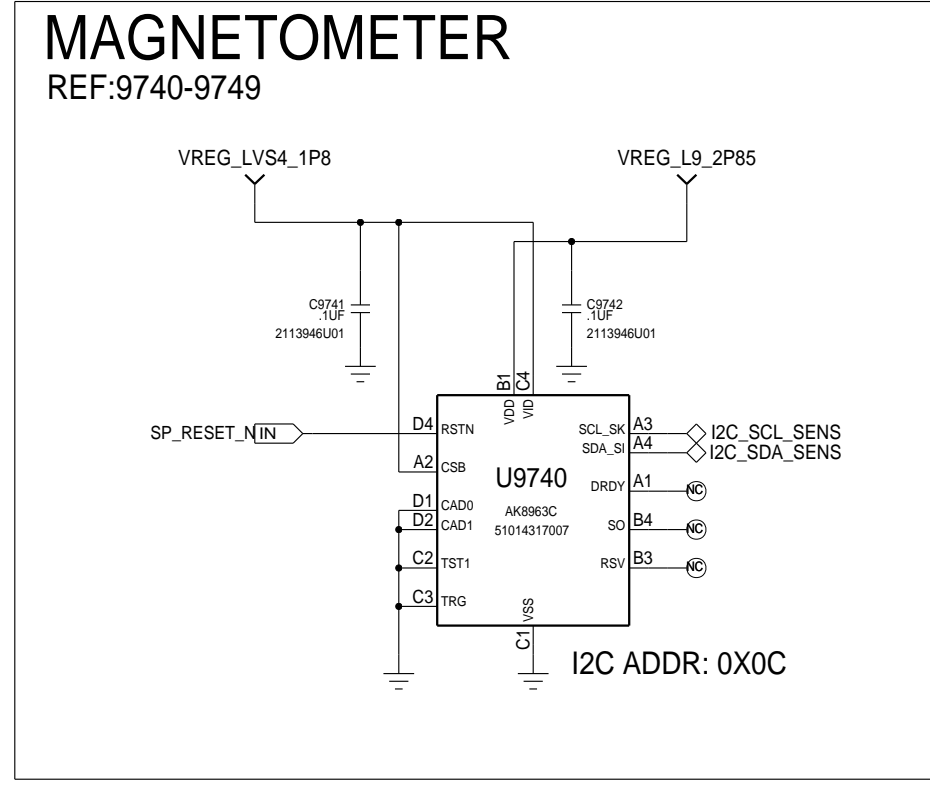
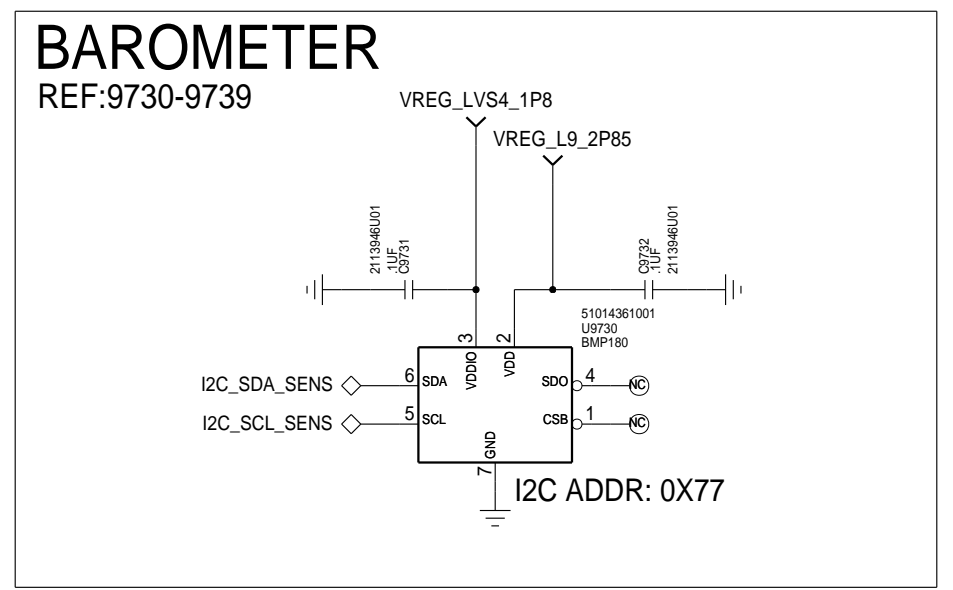
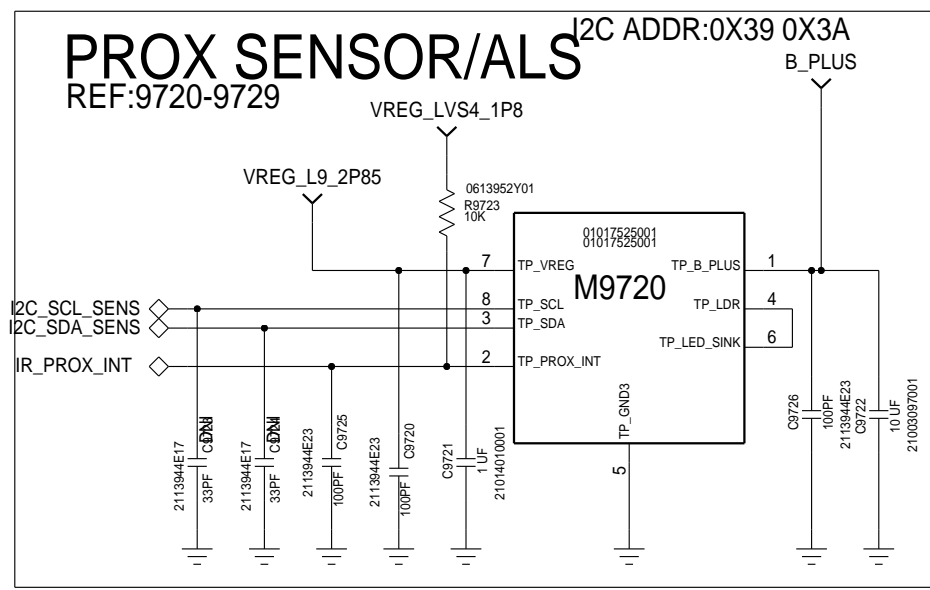
APPROVALS		MOTOROLA MOBILE DEVICES	
ENGINEER:		BLOCK TITLE:	
LAST MODIFIED BY: Mon Jun 24 11:25:30 2013		xfon	
MOTOROLA CONFIDENTIAL RESTRICTED <small>THE DRAWING ON THIS PRINT AND INFORMATION THEREWITH ARE PROPRIETARY TO MOTOROLA AND SHALL NOT BE USED OR DISCUSSED IN WHOLE OR IN PART WITHOUT MOTOROLA'S CONSENT. © COPYRIGHT, MOTOROLA. THIS DOES NOT IMPLY PUBLICATION</small>		PROJECT NAME B xfon.cpm	REV 01
CAD FILE NAME:			PAGE 2 OF 37

REVISIONS				
ZONE	LTR	DESCRIPTION	DATE	APPROVED



APPROVALS		MOTOROLA MOBILE DEVICES	
ENGINEER: XFON TEAM	BLOCK TITLE: peripherals		
LAST MODIFIED BY: GIANCARLO M. Mon Jun 24 13:13:51 2013	PROJECT NAME: xfon.cpm		
MOTOROLA CONFIDENTIAL RESTRICTED	REV: 01	PAGE 3 OF 37	

REVISIONS				
ZONE	LTR	DESCRIPTION	DATE	APPR.

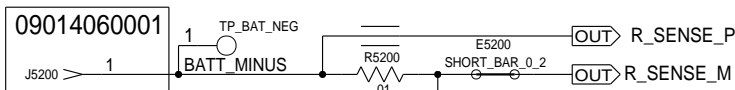
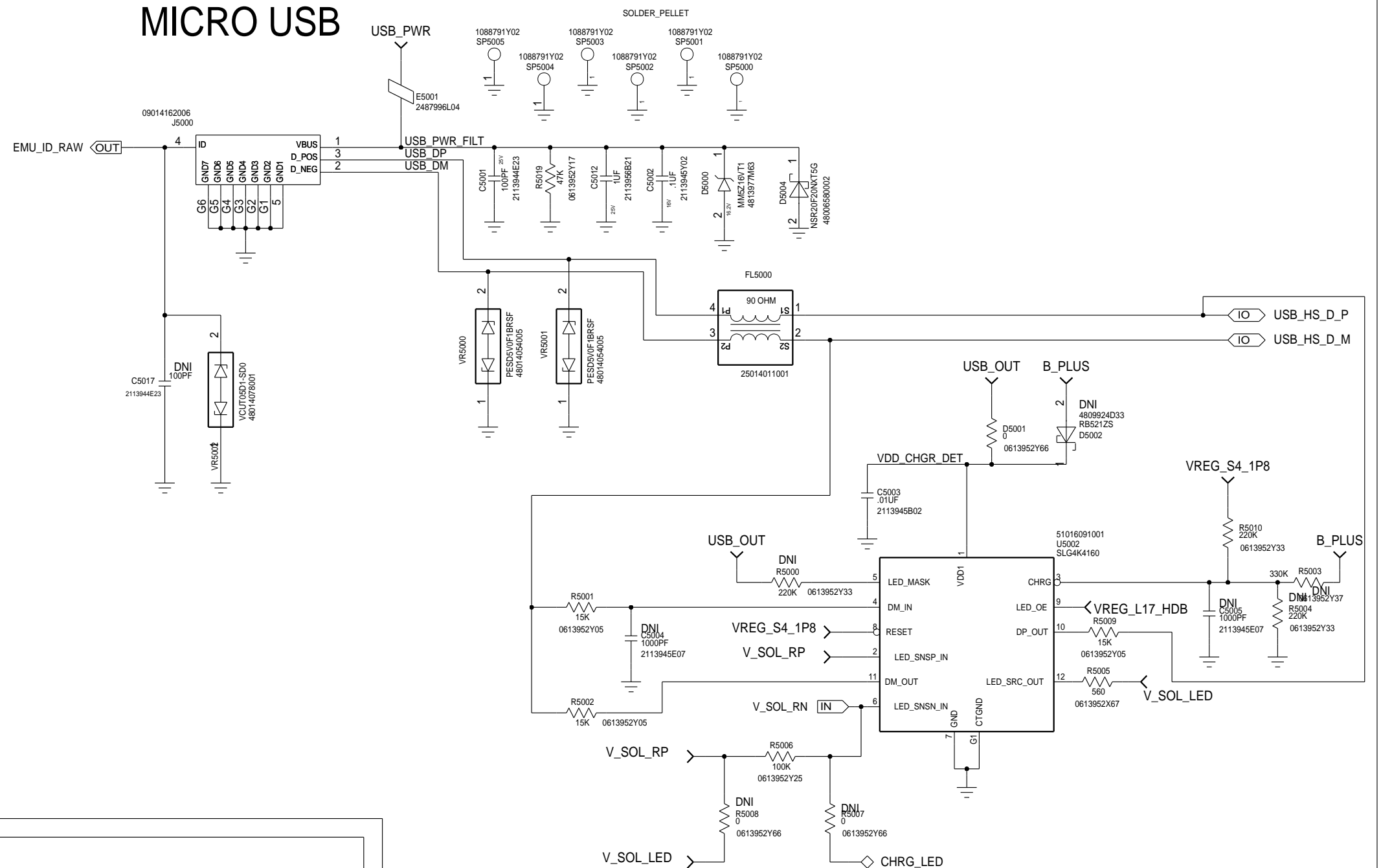


APPROVALS		MOTOROLA MOBILE DEVICES	
ENGINEER: XFON TEAM	BLOCK TITLE: peripherals		
LAST MODIFIED BY: GIANCARLO M. Mon Jun 24 11:25:19 2013	PROJECT NAME xfon.cpm	REV 01	
MOTOROLA CONFIDENTIAL RESTRICTED		CAD FILE NAME:	PAGE 4 of 37
<small>THE DRAWING ON THIS PRINT AND INFORMATION THEREWITH ARE PROPRIETARY TO MOTOROLA AND SHALL NOT BE USED OR DISCUSSED IN WHOLE OR IN PART WITHOUT MOTOROLA'S CONSENT. © COPYRIGHT, MOTOROLA, THIS DOES NOT IMPLY PUBLICATION</small>			

EMU+POWER

REF:5000 - 5099

MICRO USB

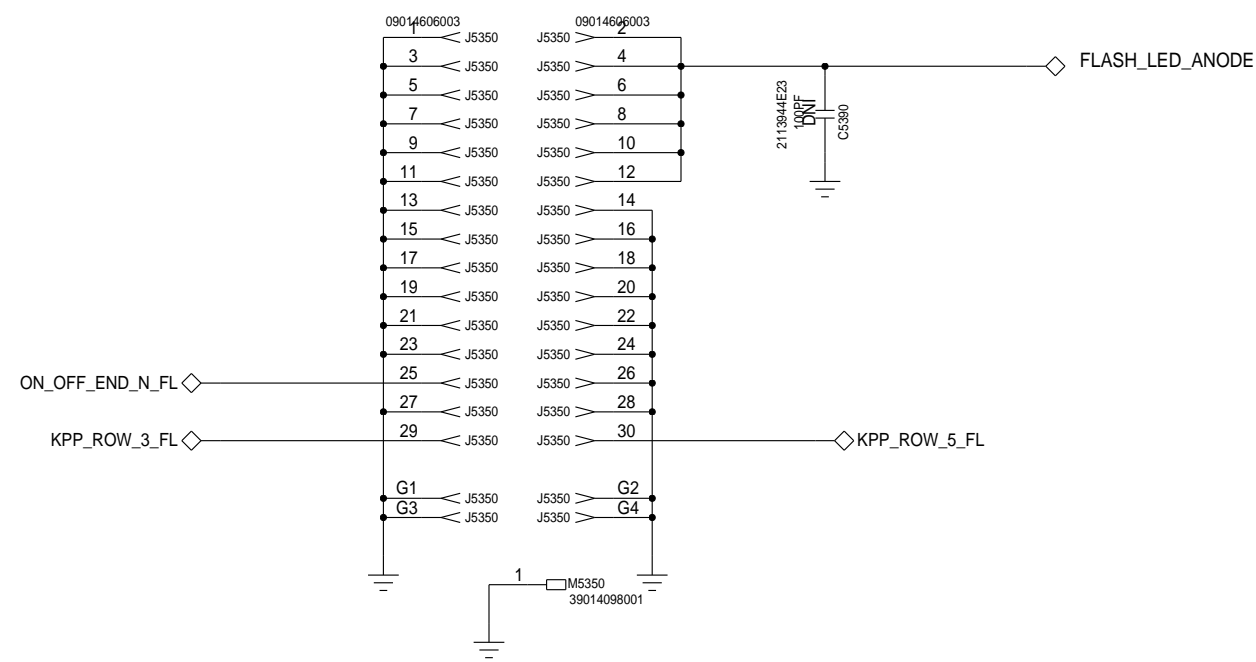


BATTERY BLOCK

REF:5200 - 5249

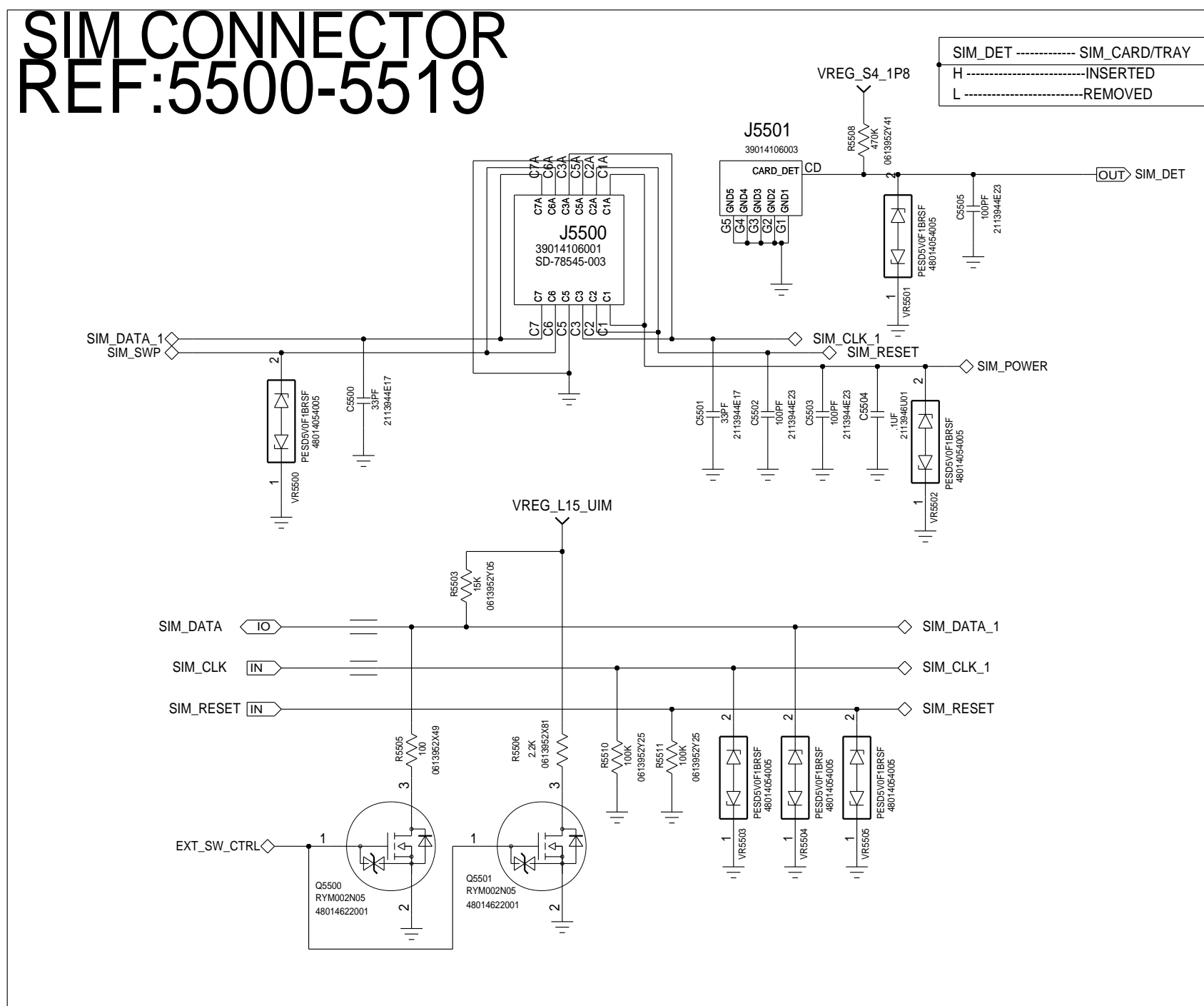
APPROVALS			
ENGINEER:		BLOCK TITLE:	
LAST MODIFIED BY:		peripherals	
Mon Jun 24 11:25:20 2013		PROJECT NAME:	
MOTOROLA CONFIDENTIAL RESTRICTED		B	xfon.cpm
<small>THE DRAWING ON THIS PRINT AND INFORMATION THEREWITH ARE PROPRIETARY TO MOTOROLA AND SHALL NOT BE USED OR DISCUSSED IN WHOLE OR IN PART WITHOUT MOTOROLA'S CONSENT.</small> <small>© COPYRIGHT, MOTOROLA. THIS DOES NOT IMPLY PUBLICATION</small>		CAD FILE NAME:	
		PAGE 5 OF 37	

BRIDGE FLEX CONNECTOR

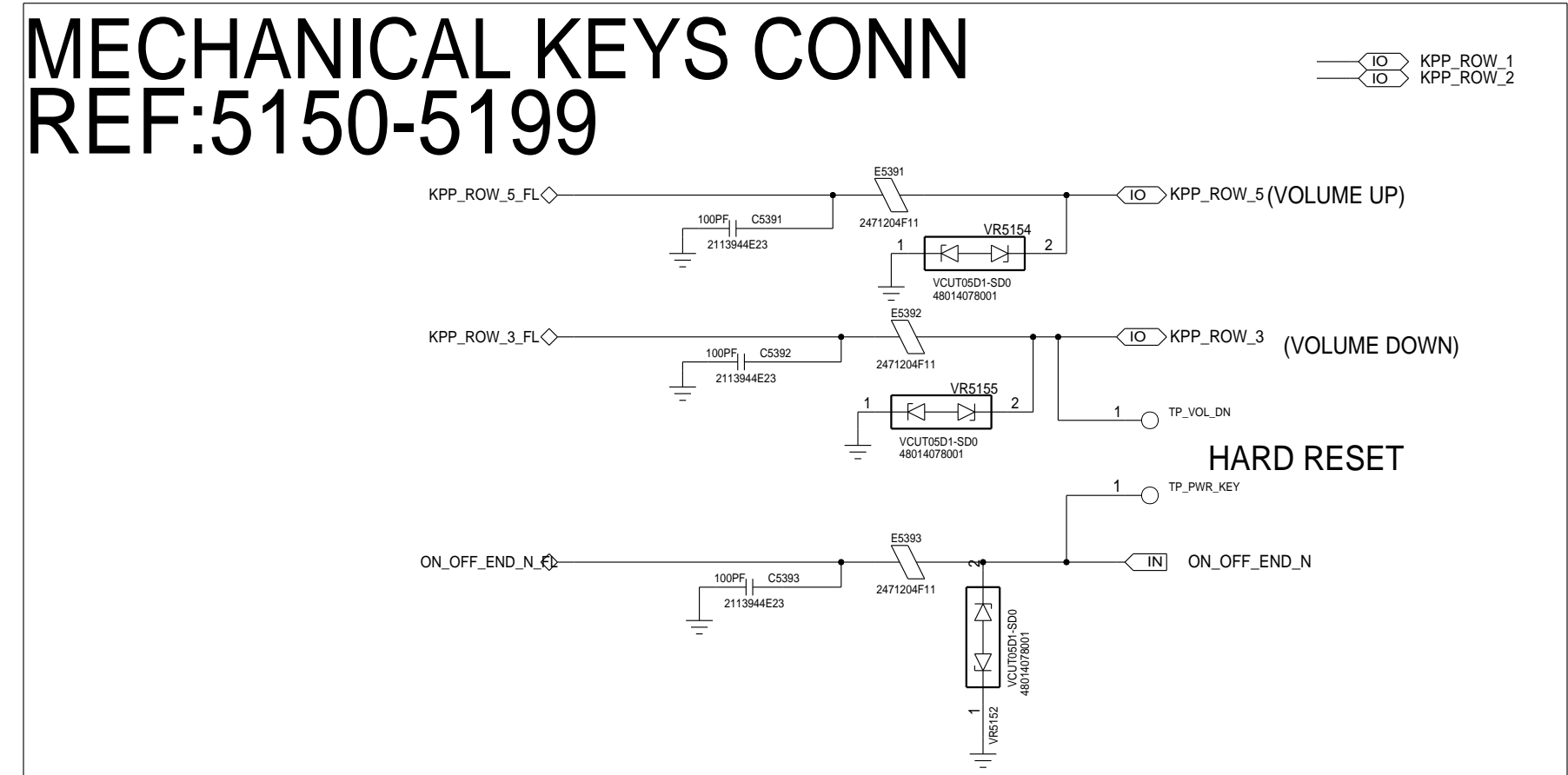


REVISIONS				
ZONE	LTR	DESCRIPTION	DATE	APPR.

SIM CONNECTOR REF:5500-5519



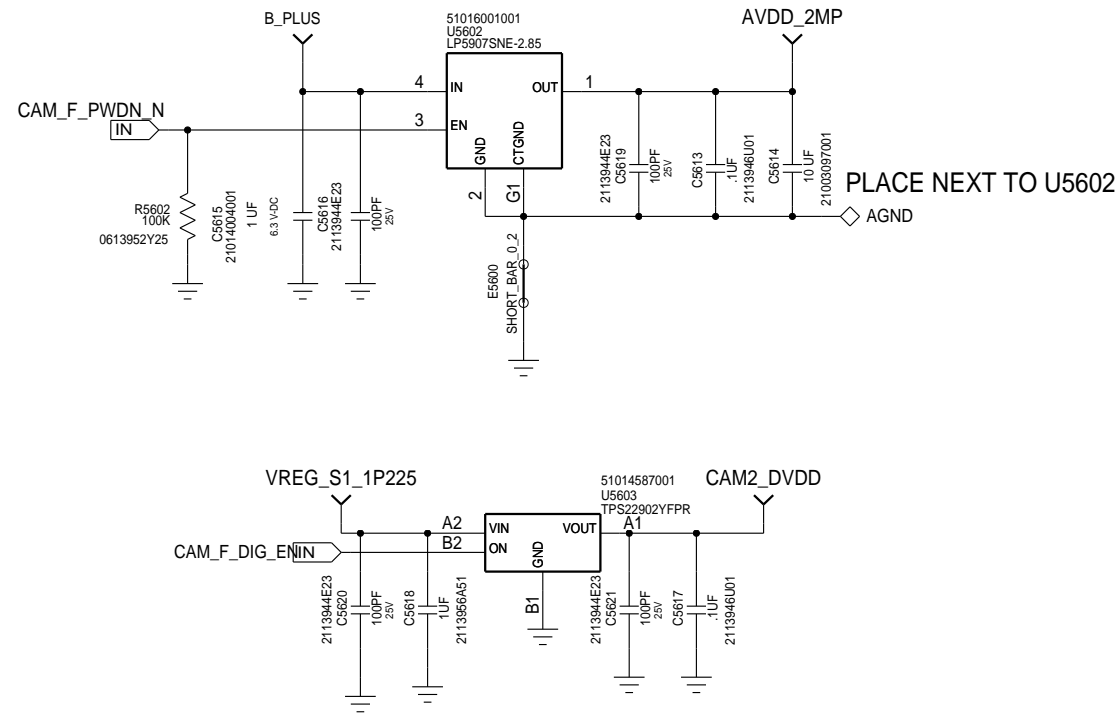
MECHANICAL KEYS CONN REF:5150-5199



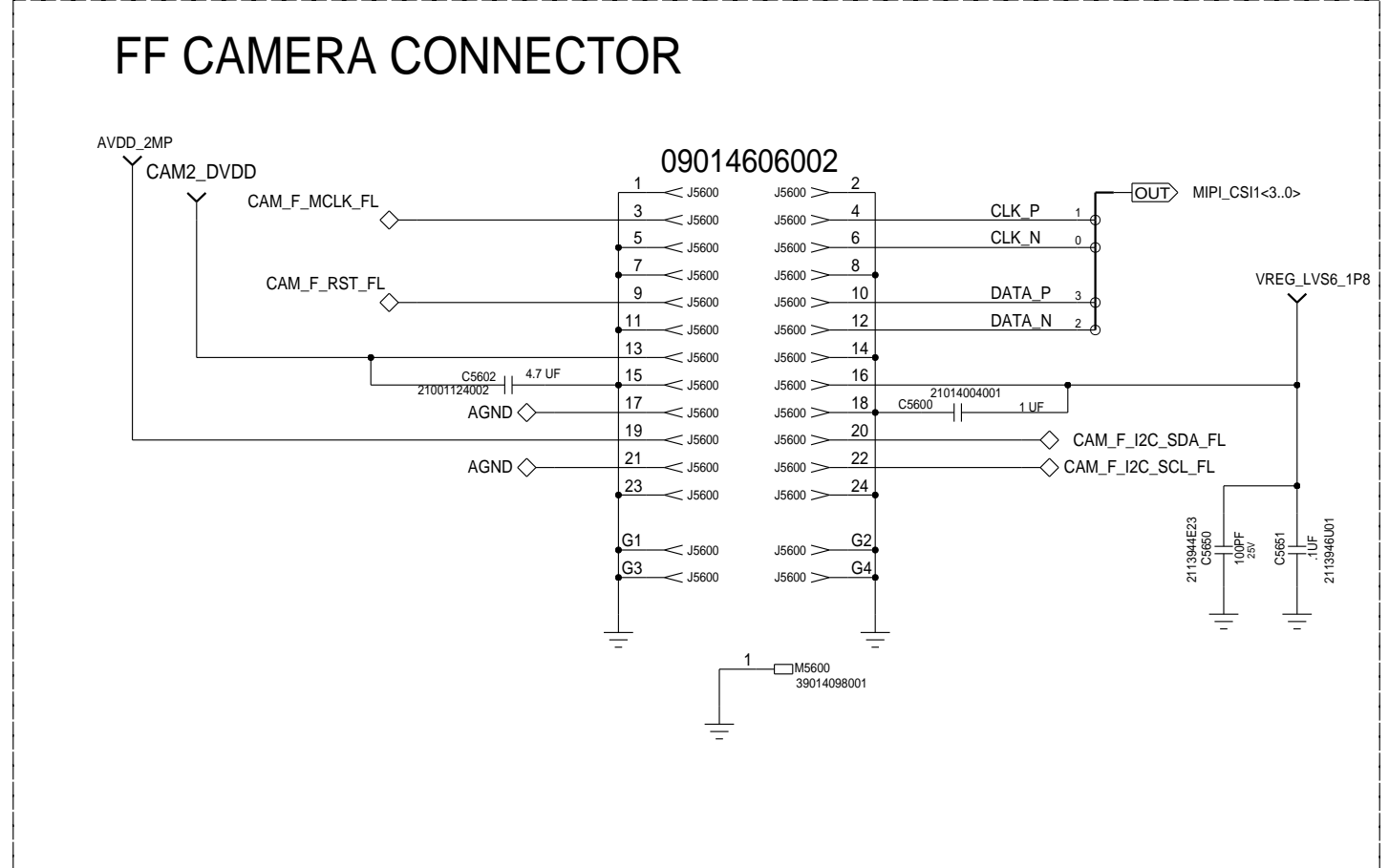
MOTOROLA MOBILITY CONFIDENTIAL RESTRICTED-MDB TRACKED AND BLOCKED

APPROVALS		 MOTOROLA MOBILE DEVICES	
ENGINEER: XFON TEAM		BLOCK TITLE: peripherals	
LAST MODIFIED BY: GIANCARLO M. Mon Jun 24 11:25:21 2013		PROJECT NAME xfon.cpm	
MOTOROLA CONFIDENTIAL RESTRICTED <small>THE DRAWING ON THIS PRINT AND INFORMATION THEREWITH ARE PROPRIETARY TO MOTOROLA AND SHALL NOT BE USED OR DISCUSSED IN WHOLE OR IN PART WITHOUT MOTOROLA'S CONSENT. © COPYRIGHT, MOTOROLA, THIS DOES NOT IMPLY PUBLICATION</small>		CAD FILE NAME:	REV 01
		PAGE 6 of 37	

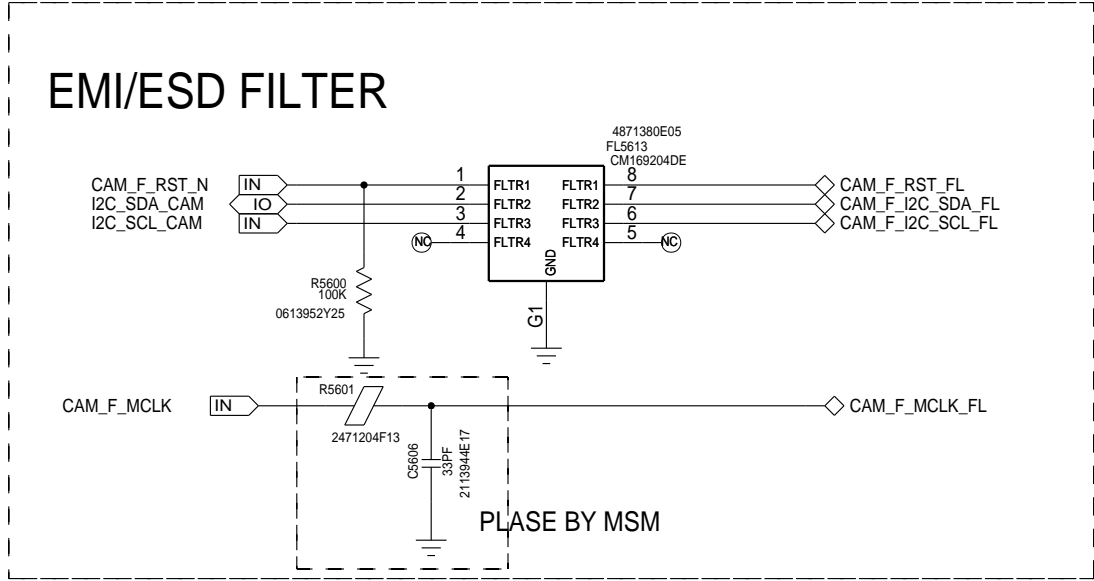
POWER



FF CAMERA CONNECTOR



EMI/ESD FILTER

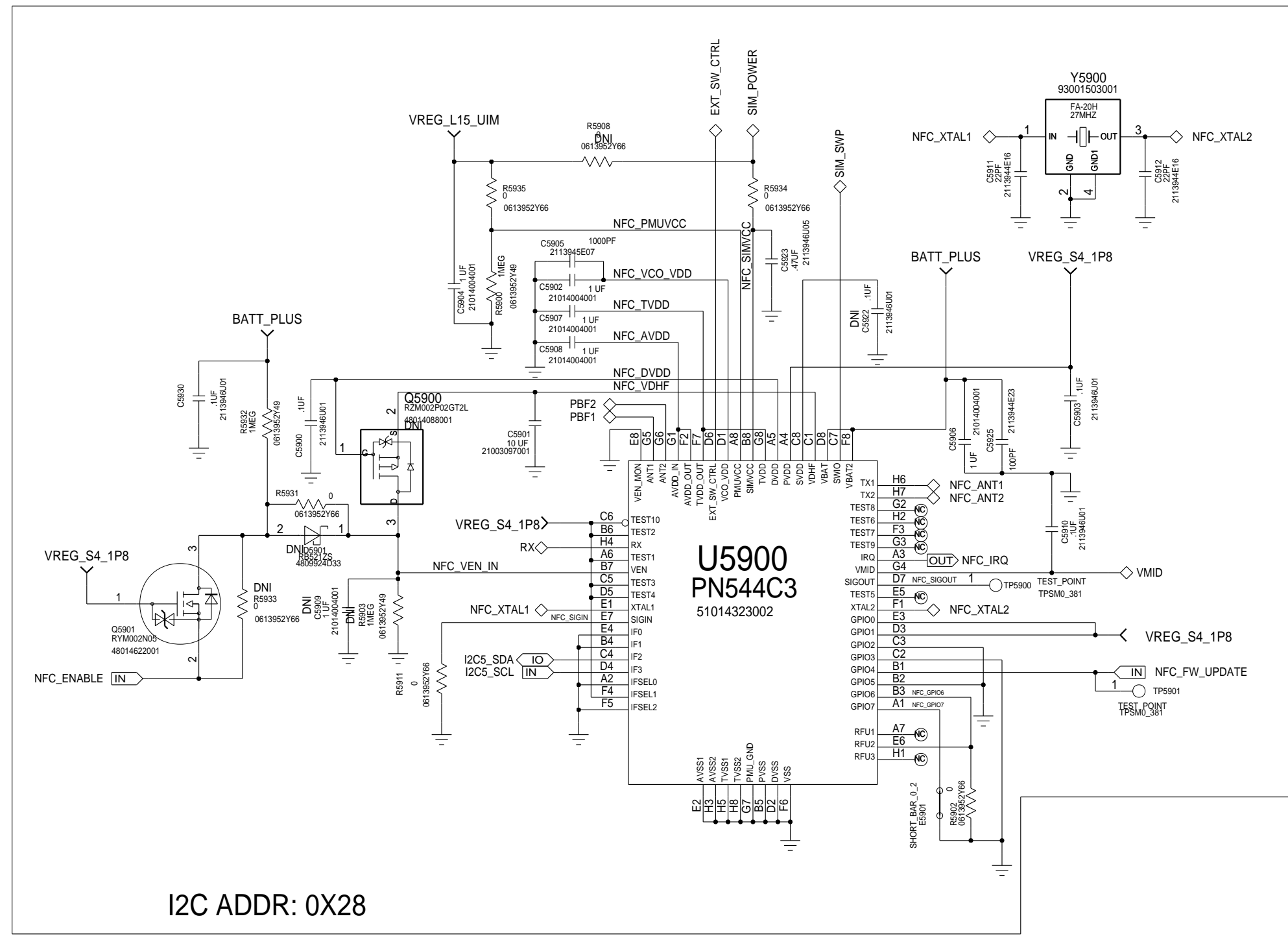


MOTOROLA MOBILITY CONFIDENTIAL RESTRICTED-MDB TRACKED TRACKEDANDBLOCKED

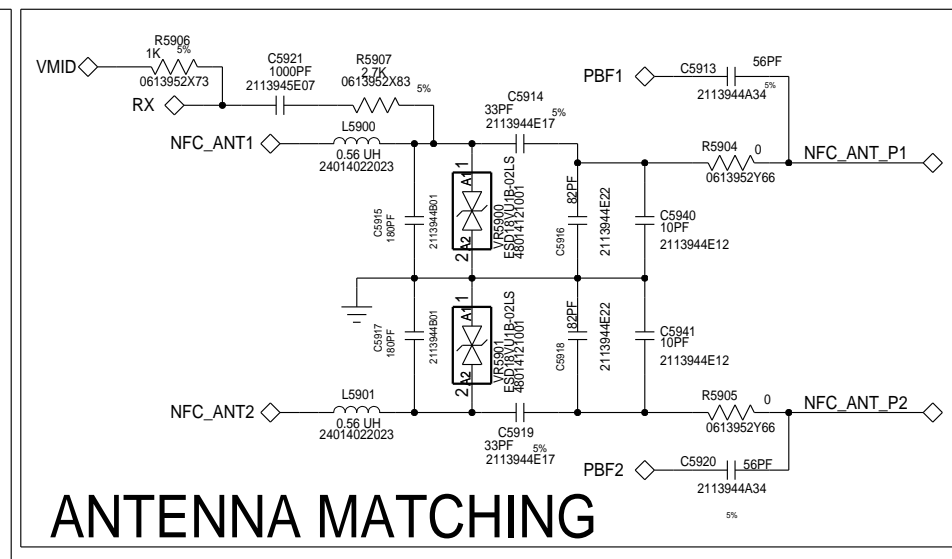
APPROVALS		 MOTOROLA MOBILE DEVICES	
ENGINEER: XFON TEAM		BLOCK TITLE:	
LAST MODIFIED BY: GIANCARLO M Mon Jun 24 11:25:22 2013		peripherals	
MOTOROLA CONFIDENTIAL RESTRICTED <small>THE DRAWING ON THIS PRINT AND INFORMATION THEREWITH ARE PROPRIETARY TO MOTOROLA AND SHALL NOT BE USED OR DISCUSSED IN WHOLE OR IN PART WITHOUT MOTOROLA'S CONSENT. © COPYRIGHT, MOTOROLA. THIS DOES NOT IMPLY PUBLICATION</small>		PROJECT NAME	REV
		B xfon.cpm	01
CAD FILE NAME:		PAGE 7 OF 37	

REF: 5900-5999

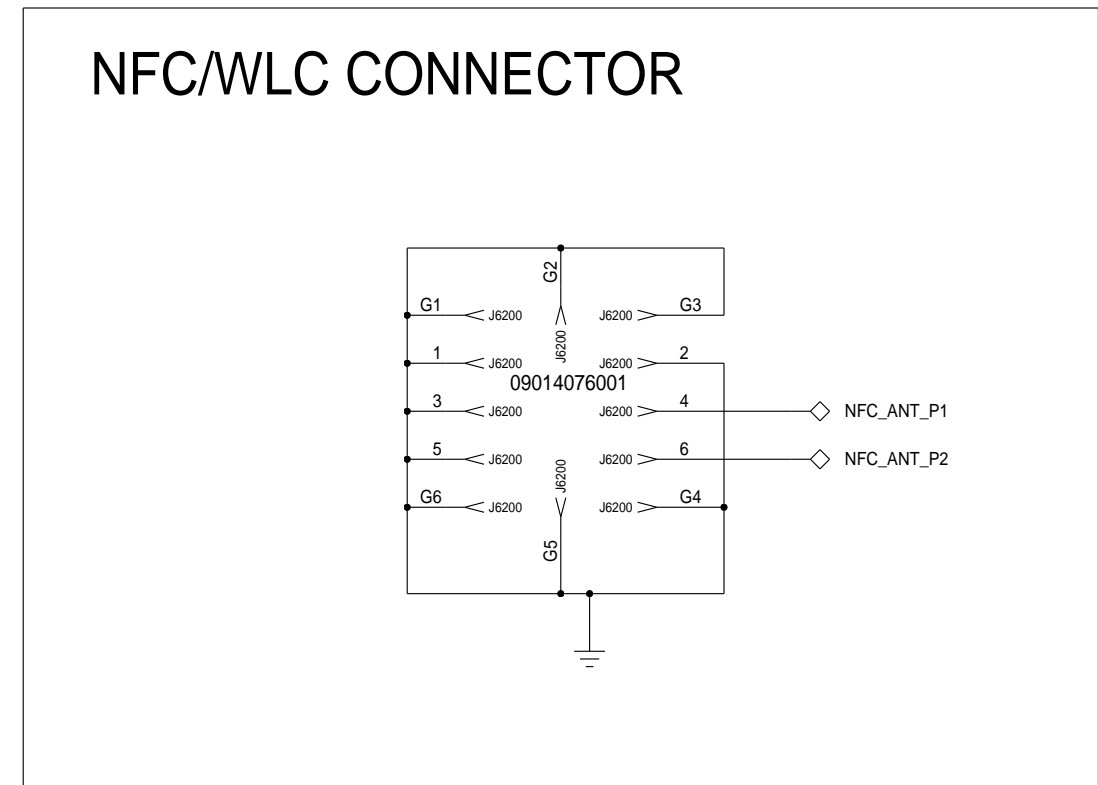
REVISIONS			
ZONE	LTR	DESCRIPTION	DATE



I2C ADDR: 0X28



ANTENNA MATCHING



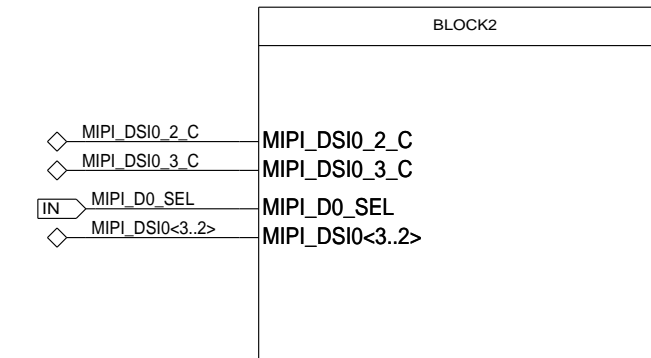
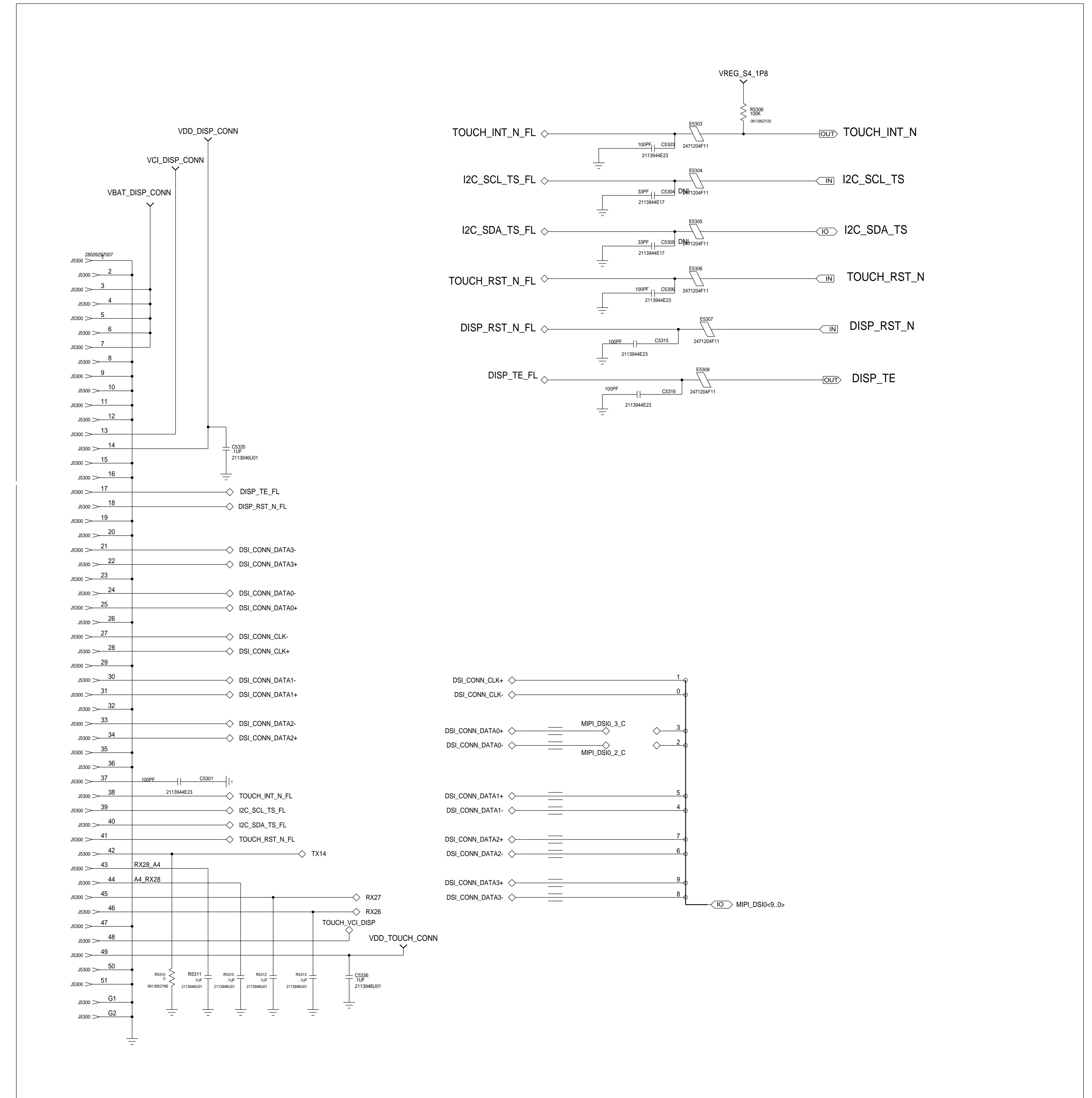
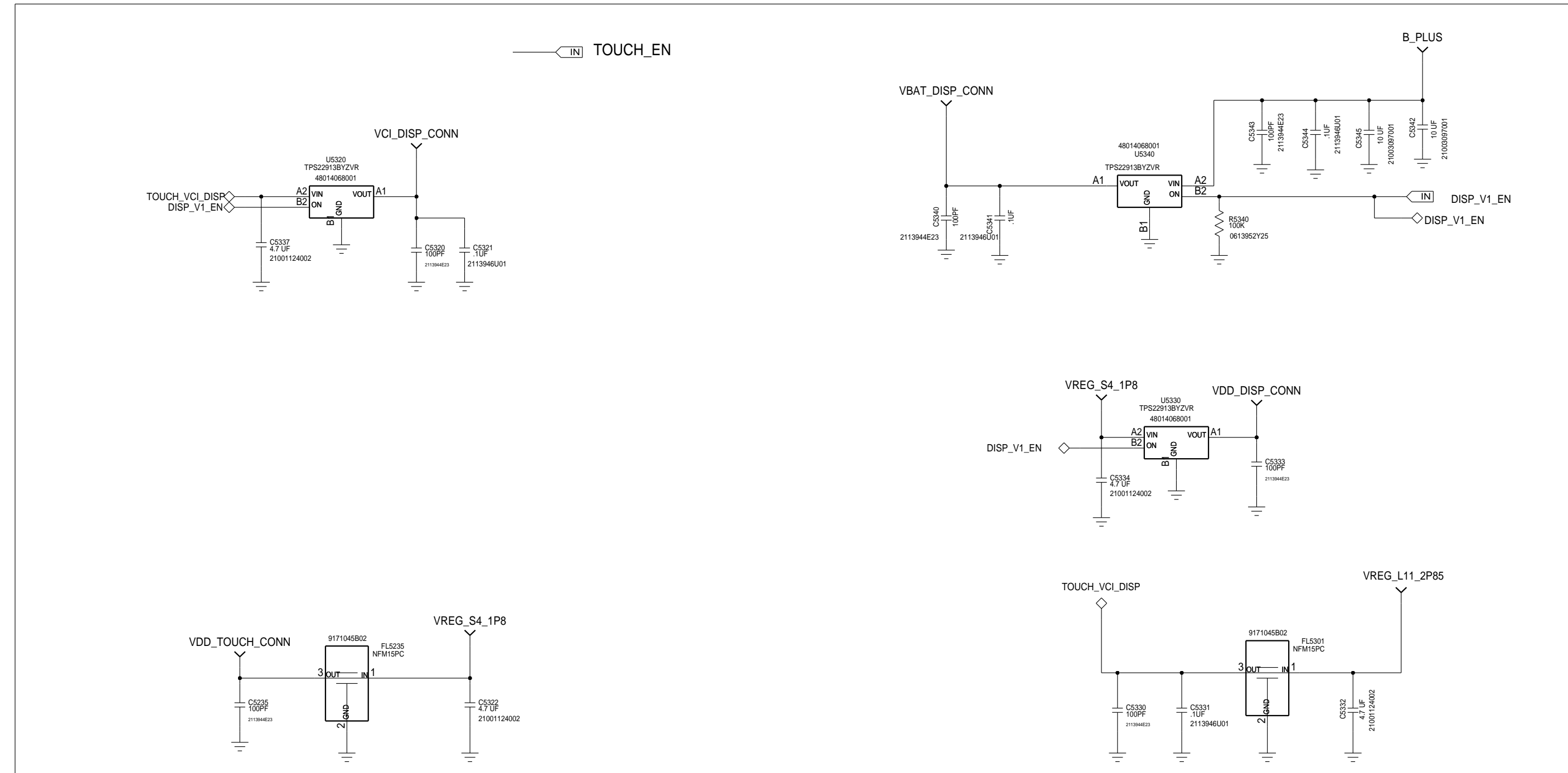
NFC/WLC CONNECTOR

APPROVALS ENGINEER: XFON TEAM LAST MODIFIED BY: GIANCARLO M Mon Jun 24 11:25:23 2013			
MOTOROLA CONFIDENTIAL RESTRICTED <small>THE DRAWING ON THIS PRINT AND INFORMATION THEREWITH ARE PROPRIETARY TO MOTOROLA AND SHALL NOT BE USED OR DISCUSSED IN WHOLE OR IN PART WITHOUT MOTOROLA'S CONSENT. © COPYRIGHT, MOTOROLA, THIS DOES NOT IMPLY PUBLICATION</small>		BLOCK TITLE: peripherals	PROJECT NAME: xfon.cpm
CAD FILE NAME:		REV 01	PAGE 8 of 37

DISPLAY + TOUCH CONNECTOR

REF DES 5300 5399

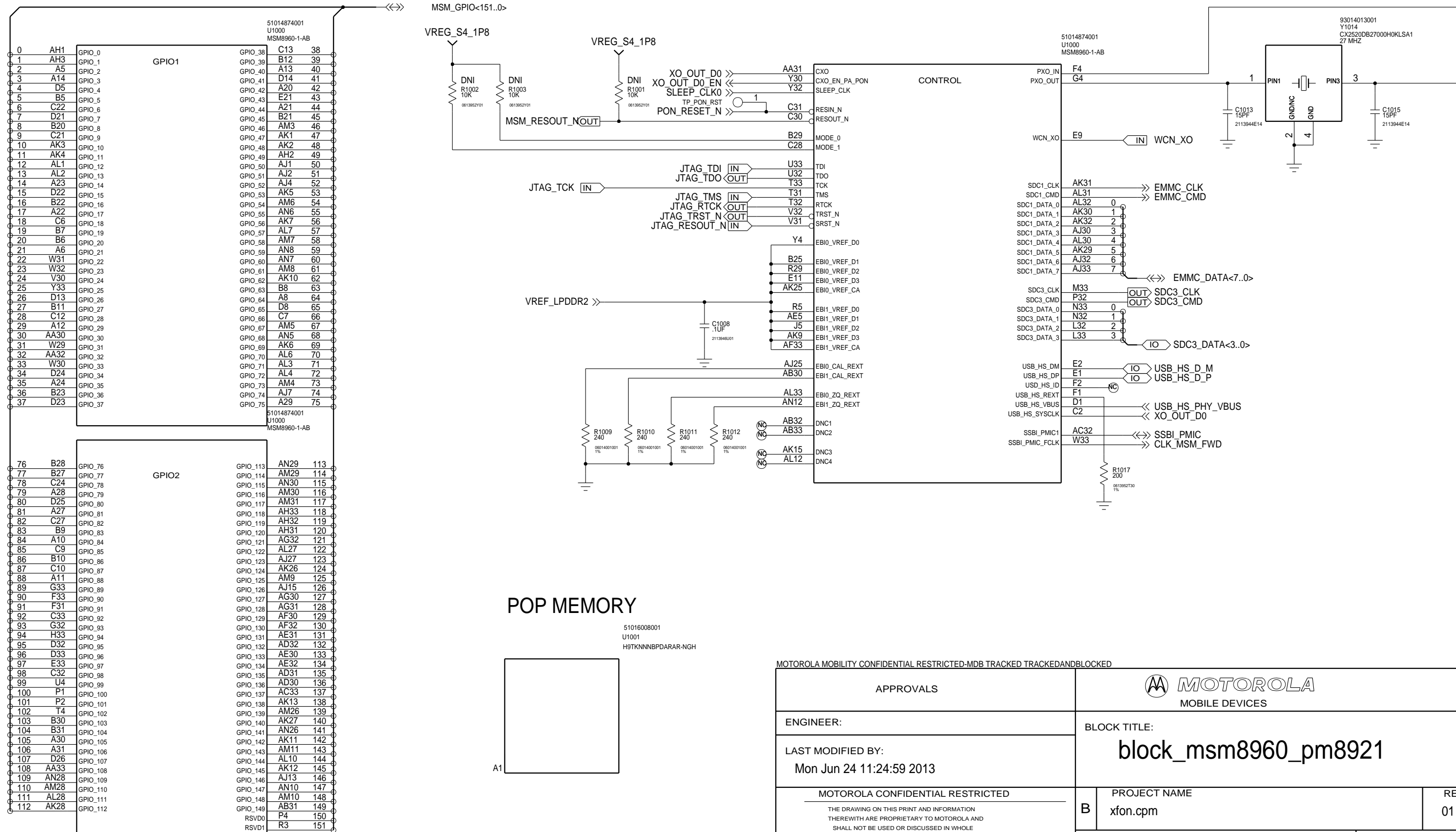
REVISIONS				
ZONE	LTR	DESCRIPTION	DATE	APPROVED



APPROVALS ENGINEER: XFON TEAM LAST MODIFIED BY: GIANCARLO M. Mon Jun 24 11:25:25 2013		MOTOROLA MOBILE DEVICES BLOCK TITLE: peripherals	
MOTOROLA CONFIDENTIAL RESTRICTED THIS DRAWING OR THIS PRINT AND INFORMATION THEREON ARE PROPRIETARY TO MOTOROLA AND SHALL NOT BE USED OR DISCLOSED IN WHOLE OR IN PART WITHOUT MOTOROLA'S CONSENT. © COPYRIGHT, MOTOROLA, THIS DOES NOT IMPLY PUBLICATION		PROJECT NAME xfon.cpm	REV 01
CAD FILE NAME:			PAGE 10 OF 37

MSM8960 CTRL/ANALOG/JTAG

REF 1000-1099



BASED ON 80-N1622-41 REV . M

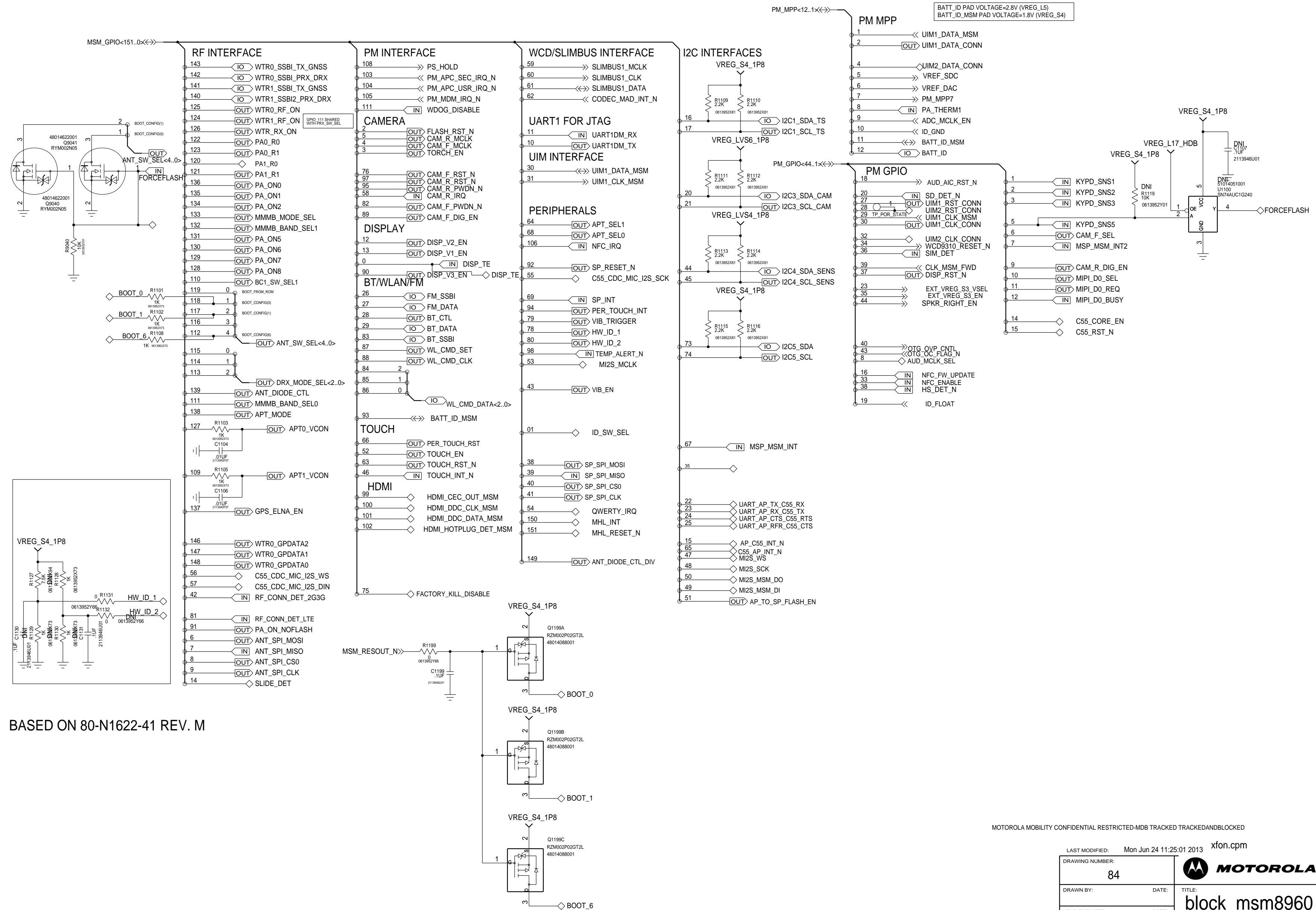
MOTOROLA MOBILITY CONFIDENTIAL RESTRICTED-MDB TRACKED TRACKEDANDBLOCKED

APPROVALS		 MOTOROLA MOBILE DEVICES	
ENGINEER:		BLOCK TITLE:	
LAST MODIFIED BY:		<h2>block_msm8960_pm8921</h2>	
MOTOROLA CONFIDENTIAL RESTRICTED <small>THE DRAWING ON THIS PRINT AND INFORMATION THEREWITH ARE PROPRIETARY TO MOTOROLA AND SHALL NOT BE USED OR DISCUSSED IN WHOLE OR IN PART WITHOUT MOTOROLA'S CONSENT. © COPYRIGHT, MOTOROLA. THIS DOES NOT IMPLY PUBLICATION</small>		PROJECT NAME	REV
		B xfon.cpm	01
		CAD FILE NAME:	
		PAGE 12 OF 37	

MSM8960 GPIO

REF 1100-1199

REVISIONS				
REV	ECN	DESCRIPTION	MADE BY	APPROVED



BASED ON 80-N1622-41 REV. M

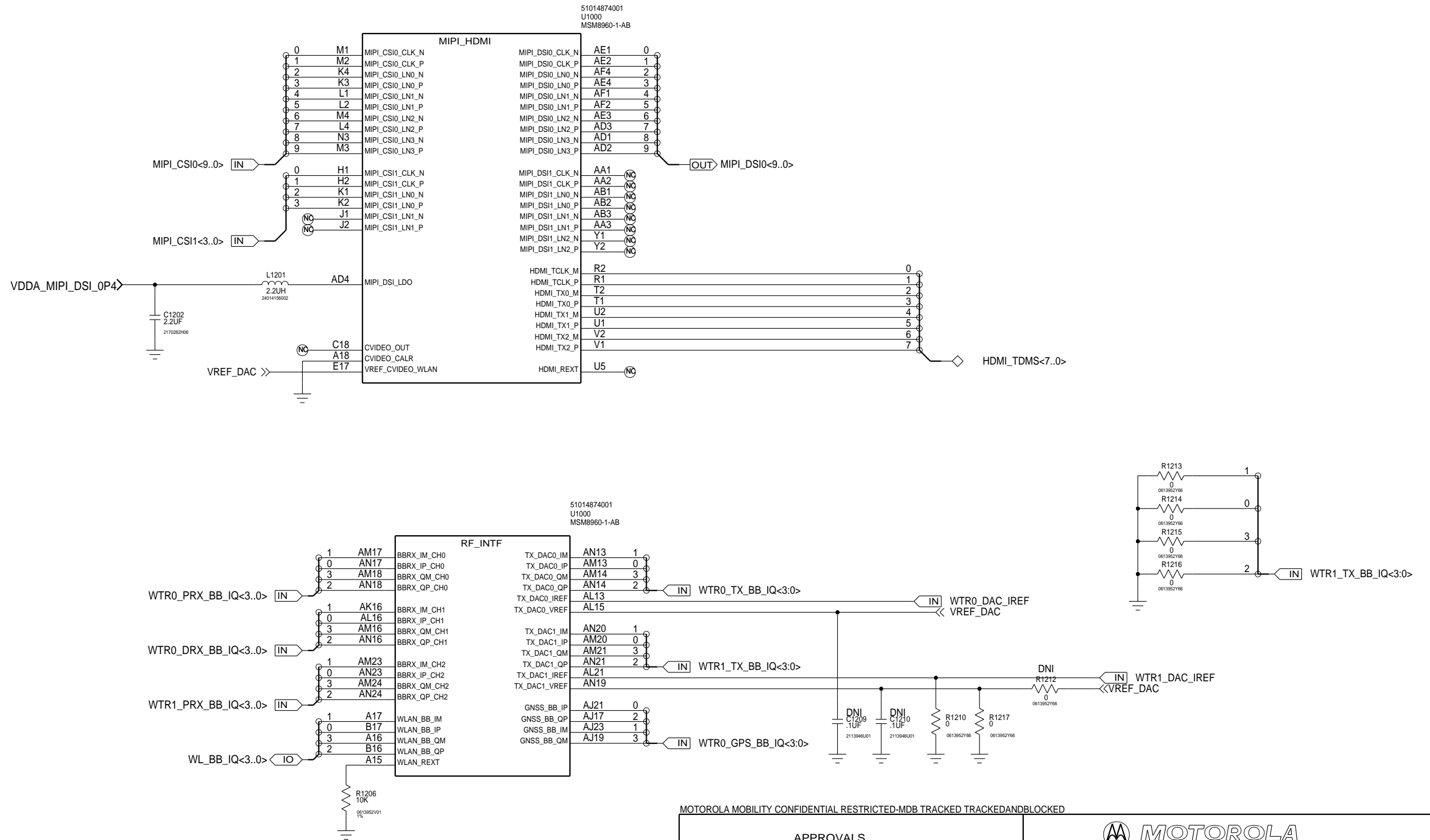
MOTOROLA MOBILITY CONFIDENTIAL RESTRICTED-MDB TRACKED TRACKEDANDBLOCKED

LAST MODIFIED: Mon Jun 24 11:25:01 2013 xfon.cpm	
DRAWING NUMBER: 84	
DRAWN BY:	DATE:
LEAD ENGINEER:	DATE:
ASSY NUMBER:	PCB FILE NAME:
PAGE 13 OF 37	

block_msm8960_0m8921

MSM8960 MIPI/HDMI/RF

REF 1200-1299



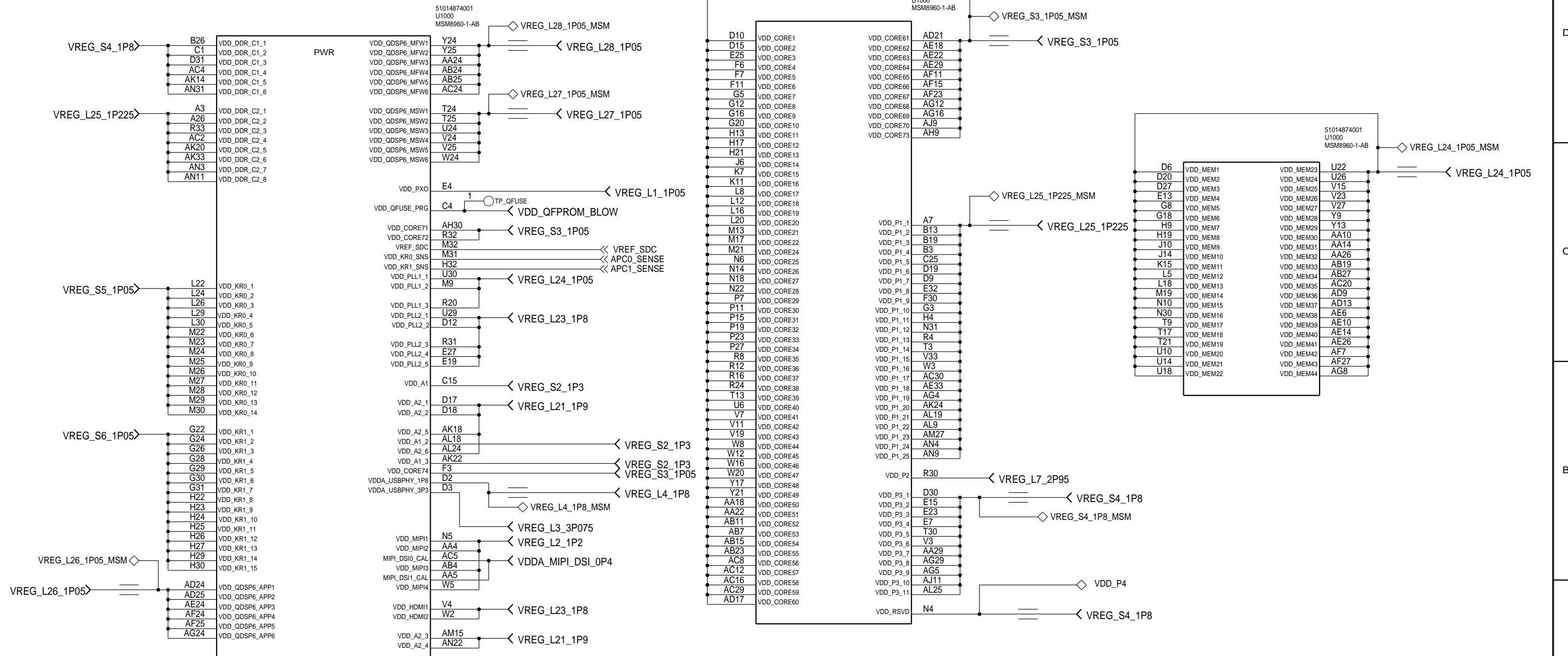
BASED ON 80-N1622-41 REV. M

MOTOROLA MOBILITY CONFIDENTIAL RESTRICTED-MDB TRACKED TRACKEDANDBLOCKED

APPROVALS		 MOBILE DEVICES	
ENGINEER: XFON TEAM		BLOCK TITLE:	
LAST MODIFIED BY: Mon Jun 24 11:25:02 2013		<h2>block_msm8960_pm8921</h2>	
MOTOROLA CONFIDENTIAL RESTRICTED <small>THE DRAWING ON THIS PRINT AND INFORMATION THEREWITH ARE PROPRIETARY TO MOTOROLA AND SHALL NOT BE USED OR DISCUSSED IN WHOLE OR IN PART WITHOUT MOTOROLA'S CONSENT. © COPYRIGHT, MOTOROLA. THIS DOES NOT IMPLY PUBLICATION</small>		PROJECT NAME B xfon.cpm	REV 01
CAD FILE NAME:		PAGE 14 OF 37	

MSM8960 POWER 1

REF 1300-1399



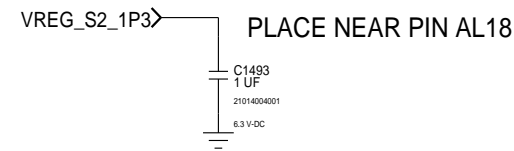
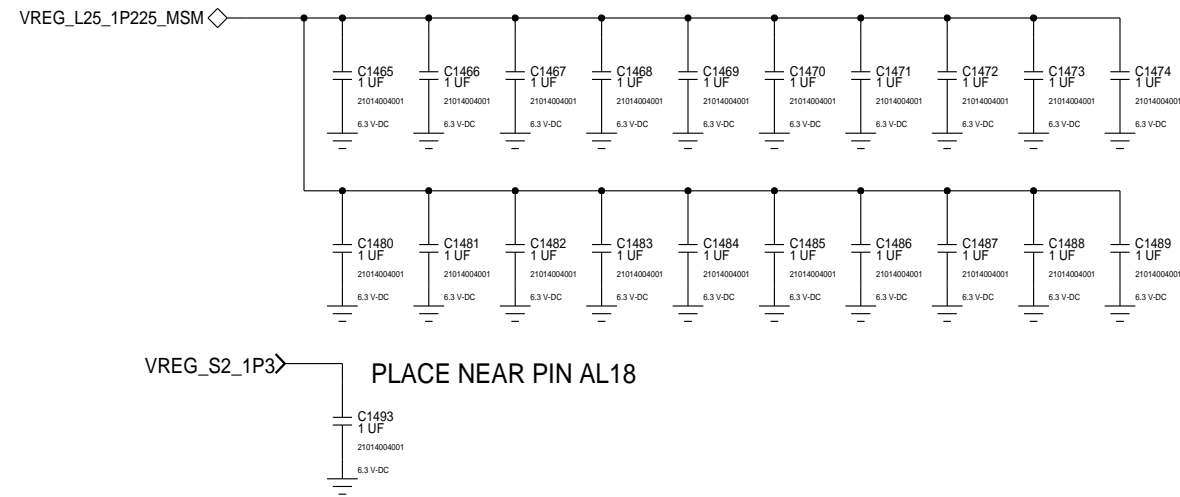
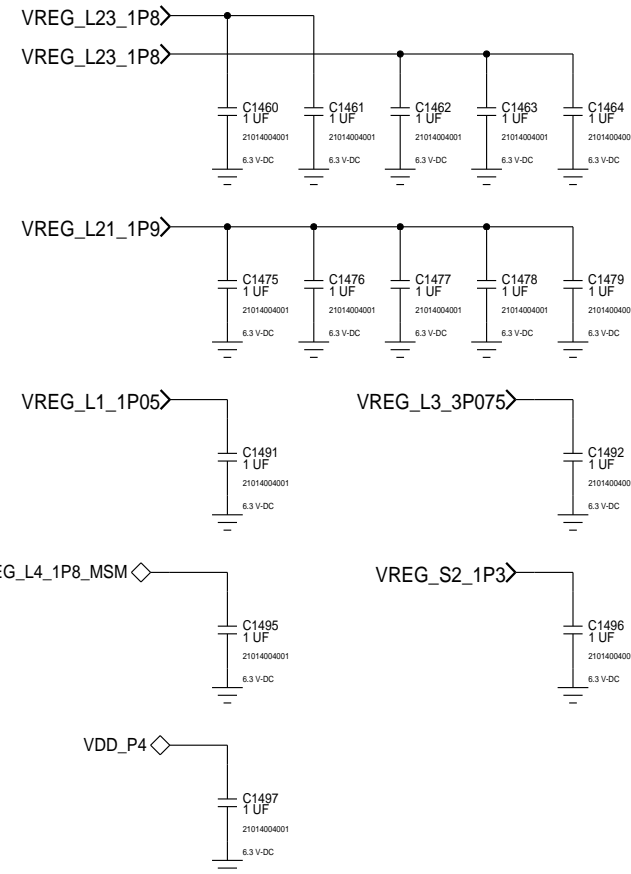
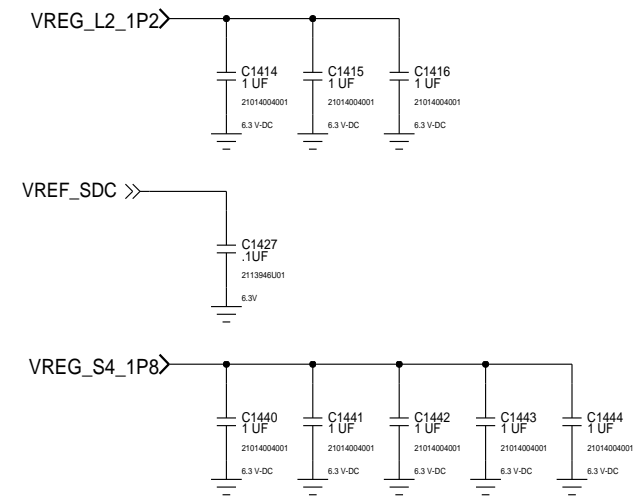
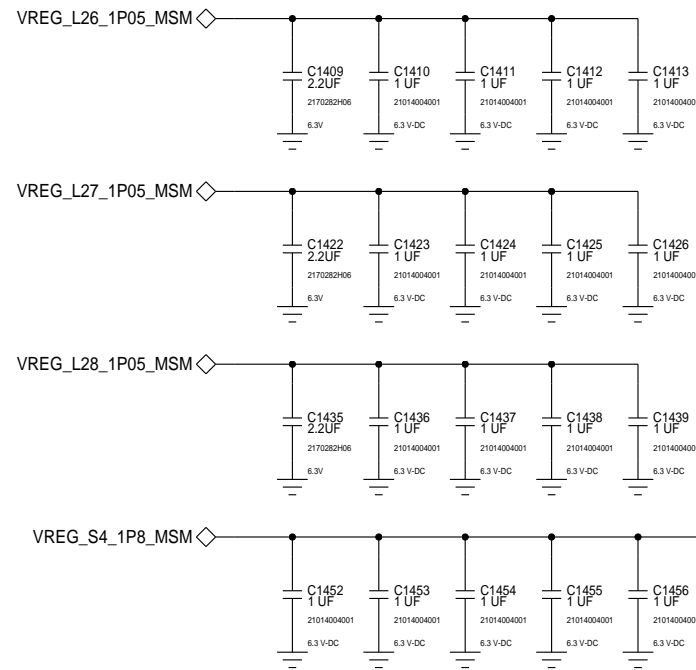
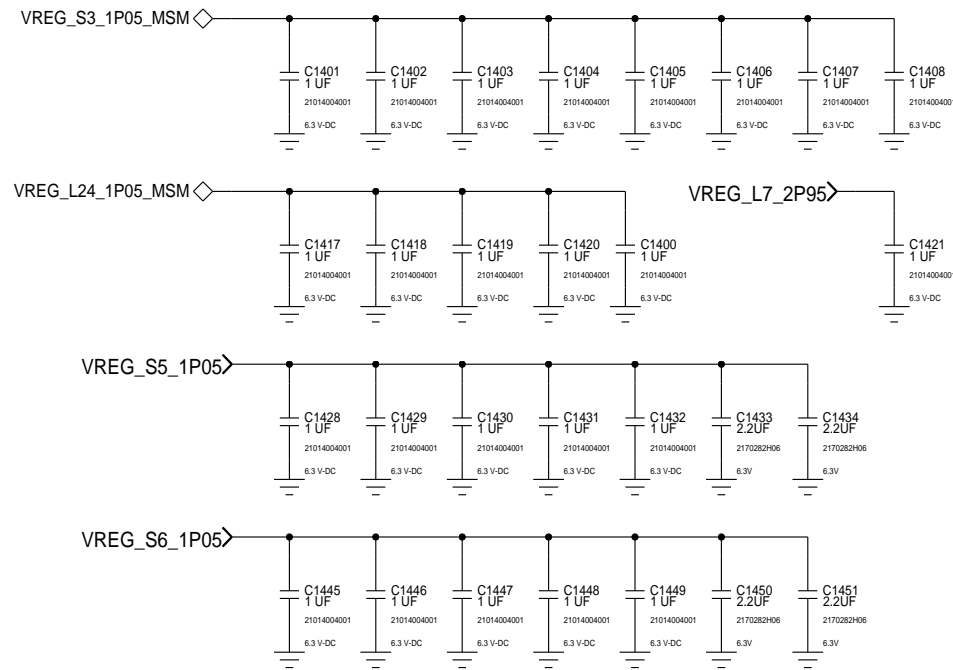
MOTOROLA MOBILITY CONFIDENTIAL RESTRICTED-MDB TRACKED TRACKEDANDBLOCKED

APPROVALS		 MOBILE DEVICES	
ENGINEER:		BLOCK TITLE:	
LAST MODIFIED BY: Mon Jun 24 11:25:03 2013		block_msm8960_pm8921	
MOTOROLA CONFIDENTIAL RESTRICTED <small>THE DRAWING ON THIS PRINT AND INFORMATION THEREWITH ARE PROPRIETARY TO MOTOROLA AND SHALL NOT BE USED OR DISCUSSED IN WHOLE OR IN PART WITHOUT MOTOROLA'S CONSENT. © COPYRIGHT, MOTOROLA. THIS DOES NOT IMPLY PUBLICATION</small>		PROJECT NAME B xfon.cpm	REV 01
CAD FILE NAME:		PAGE 15 OF 37	


BASED ON 80-N1622-41 REV. M

MSM8960 POWER 2

REF 1400-1499

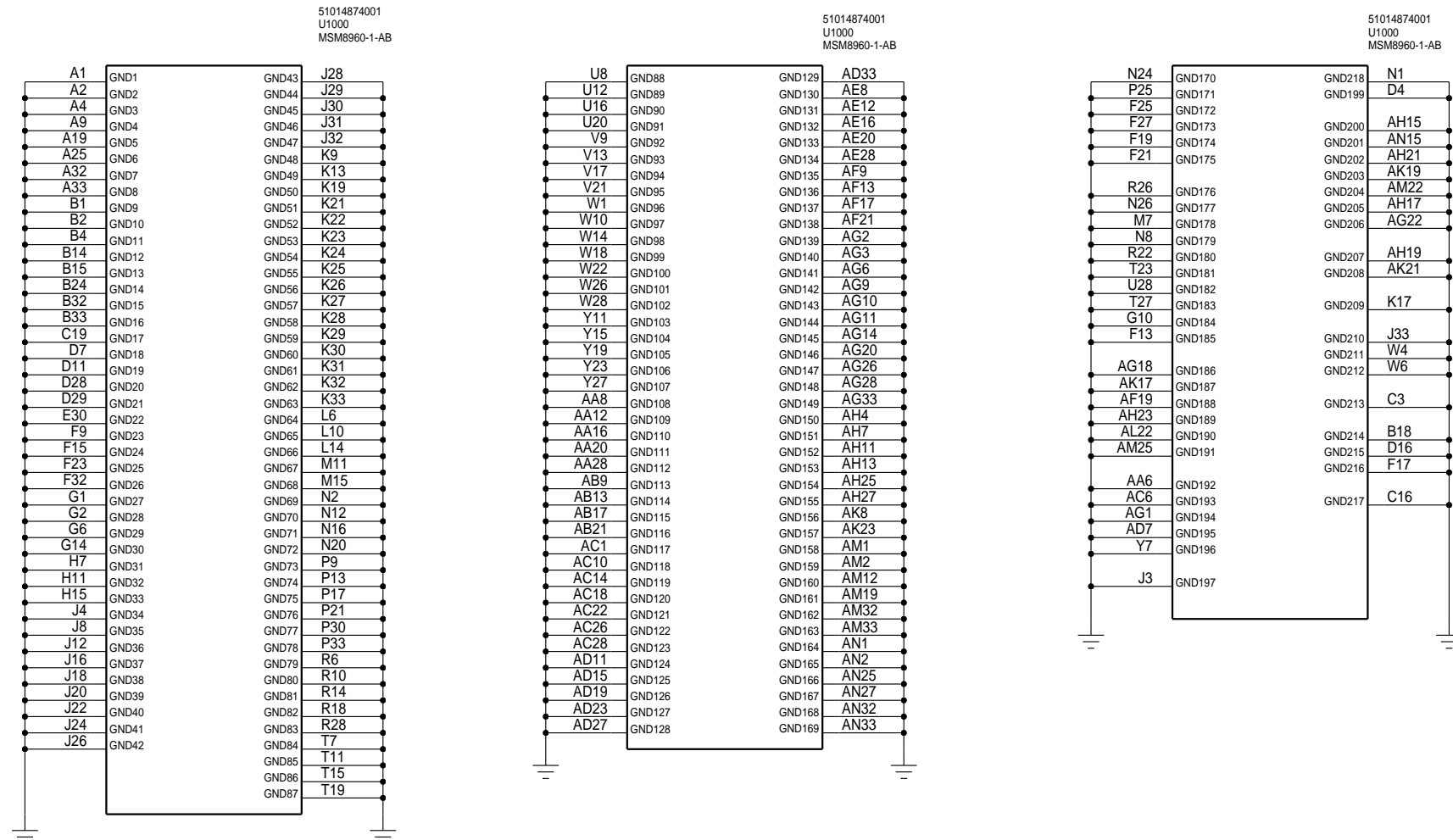


MOTOROLA MOBILITY CONFIDENTIAL RESTRICTED-MDB TRACKED TRACKEDANDBLOCKED

APPROVALS		 MOTOROLA MOBILE DEVICES	
ENGINEER:		BLOCK TITLE:	
LAST MODIFIED BY: Mon Jun 24 11:25:04 2013		block_msm8960_pm8921	
MOTOROLA CONFIDENTIAL RESTRICTED <small>THE DRAWING ON THIS PRINT AND INFORMATION THEREWITH ARE PROPRIETARY TO MOTOROLA AND SHALL NOT BE USED OR DISCUSSED IN WHOLE OR IN PART WITHOUT MOTOROLA'S CONSENT. © COPYRIGHT, MOTOROLA. THIS DOES NOT IMPLY PUBLICATION</small>		PROJECT NAME B xfon.cpm	REV 01
		CAD FILE NAME:	
		PAGE 16 OF 37	

BASED ON 80-N1622-41 REV. M

MSM8960 GROUND



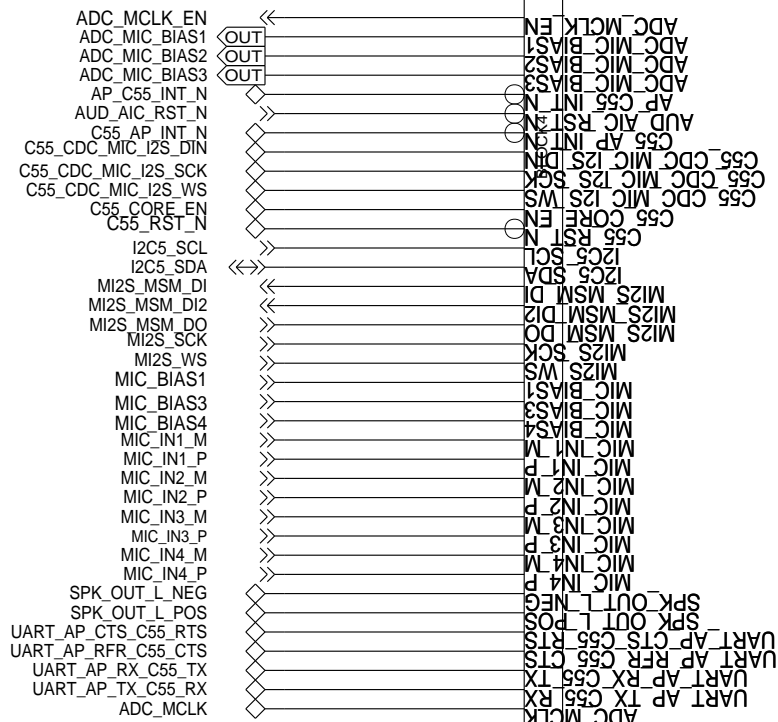
BASED ON 80-N1622-41 REV. M

MOTOROLA MOBILITY CONFIDENTIAL RESTRICTED-MDB TRACKED TRACKEDANDBLOCKED

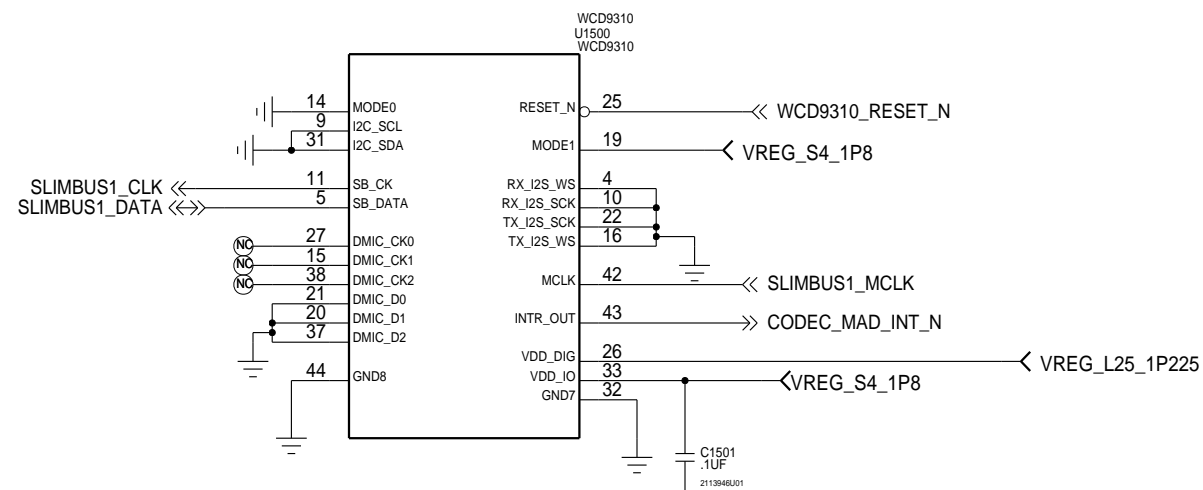
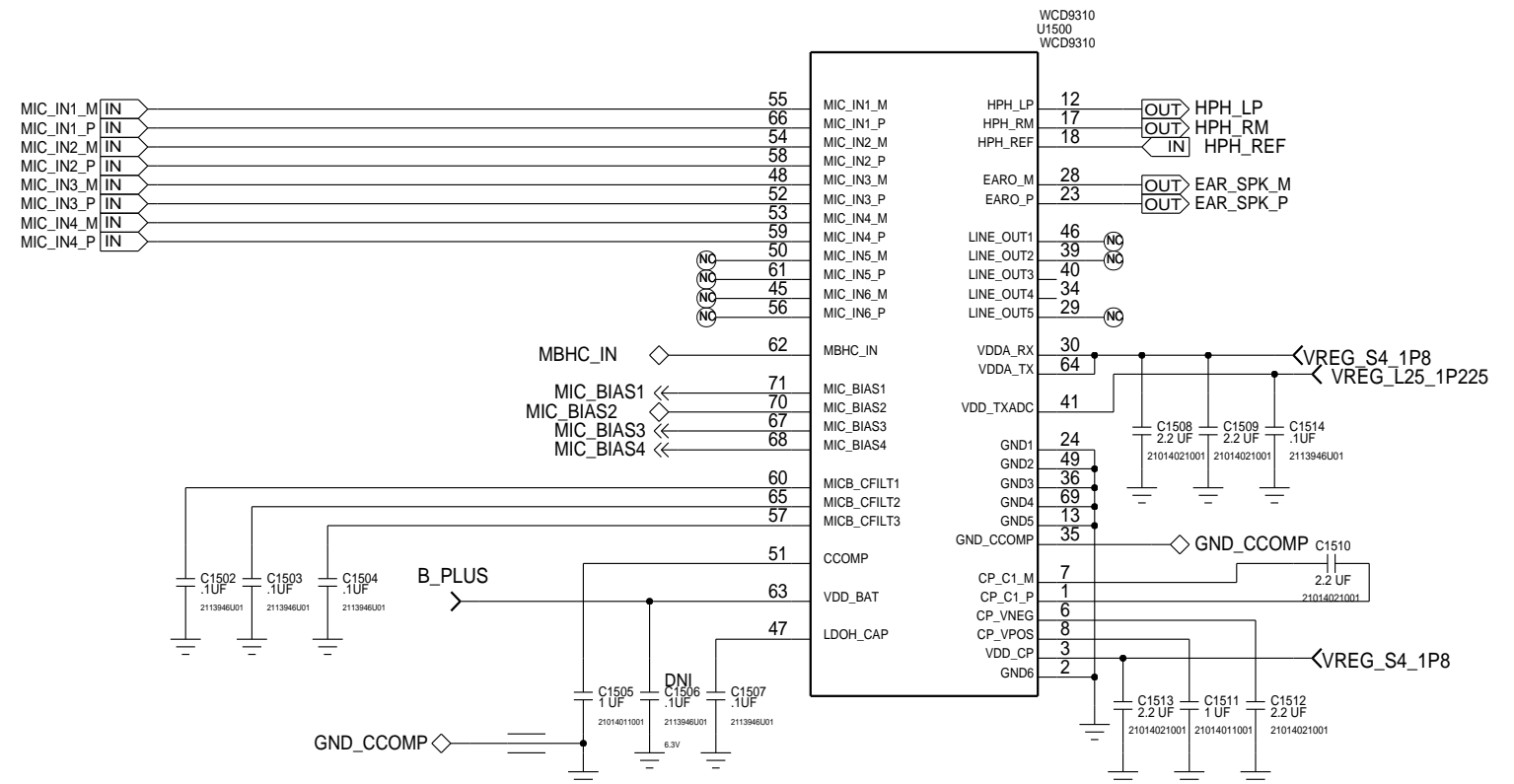
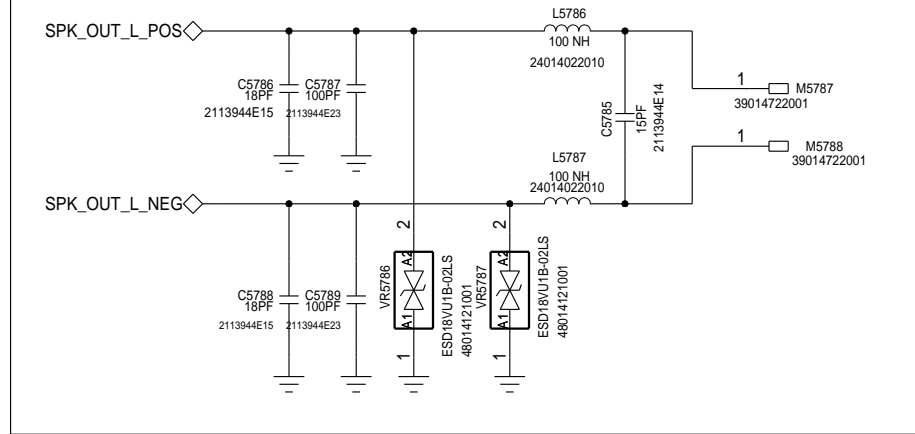
APPROVALS		MOTOROLA MOBILE DEVICES	
ENGINEER:		BLOCK TITLE:	
LAST MODIFIED BY: Mon Jun 24 11:25:05 2013		block_msm8960_pm8921	
MOTOROLA CONFIDENTIAL RESTRICTED <small>THE DRAWING ON THIS PRINT AND INFORMATION THEREWITH ARE PROPRIETARY TO MOTOROLA AND SHALL NOT BE USED OR DISCUSSED IN WHOLE OR IN PART WITHOUT MOTOROLA'S CONSENT. © COPYRIGHT, MOTOROLA. THIS DOES NOT IMPLY PUBLICATION</small>		PROJECT NAME B xfon.cpm	REV 01
		CAD FILE NAME:	
		PAGE 17 OF 37	

WCD9310 AUDIO

REF 1500-1579



LOUDSPEAKER LEFT REF:5785-5789



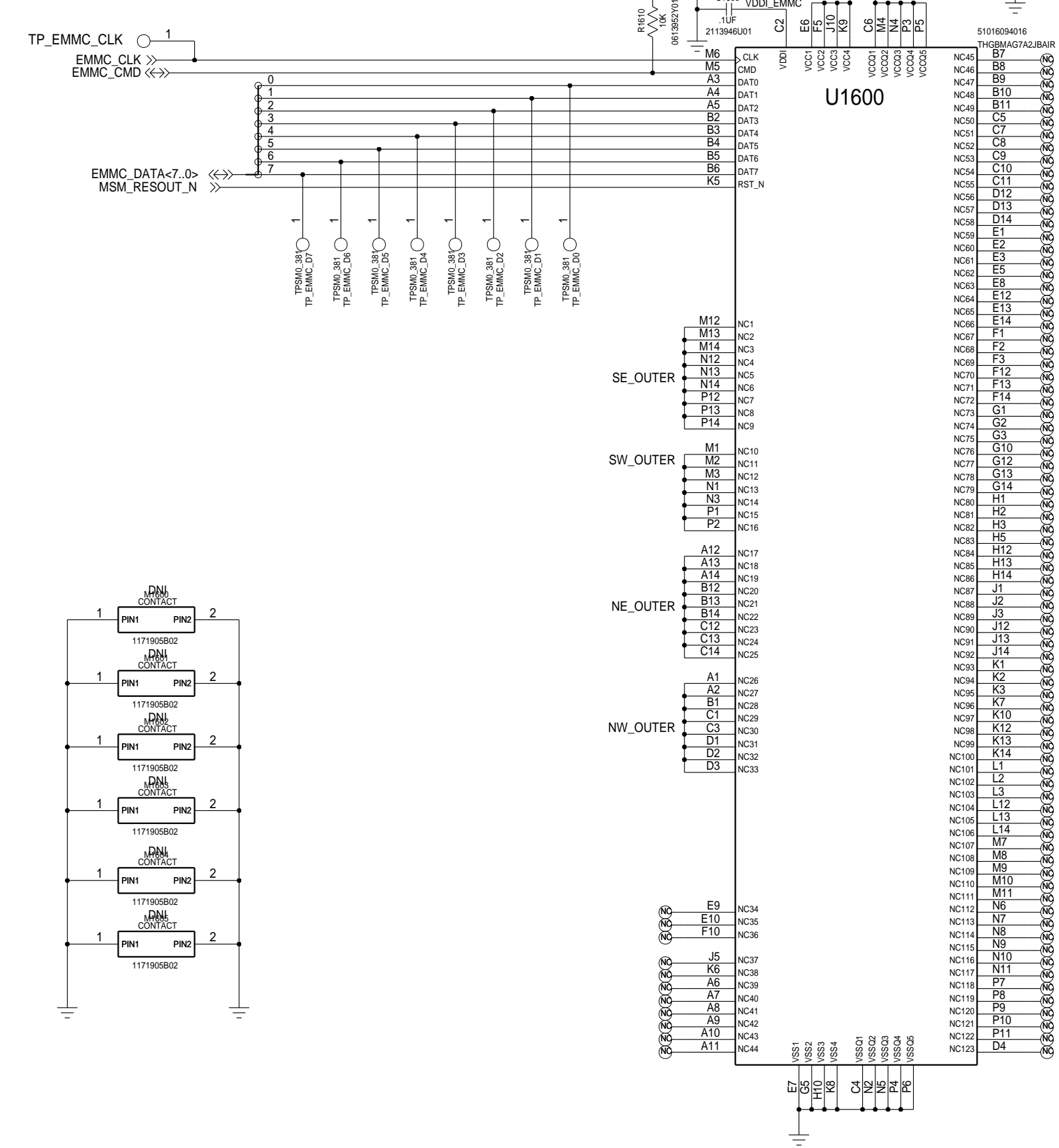
BASED ON 80-N1622-41 REV. M

MOTOROLA MOBILITY CONFIDENTIAL RESTRICTED-MDB TRACKED TRACKEDANDBLOCKED

APPROVALS		MOTOROLA MOBILE DEVICES	
ENGINEER: XFON TEAM		BLOCK TITLE:	
LAST MODIFIED BY: GIANCARLO M Mon Jun 24 11:25:09 2013		block_msm8960_pm8921	
MOTOROLA CONFIDENTIAL RESTRICTED THE DRAWING ON THIS PRINT AND INFORMATION THEREWITH ARE PROPRIETARY TO MOTOROLA AND SHALL NOT BE USED OR DISCUSSED IN WHOLE OR IN PART WITHOUT MOTOROLA'S CONSENT. © COPYRIGHT, MOTOROLA. THIS DOES NOT IMPLY PUBLICATION		PROJECT NAME	REV
		B xfon.cpm	01
CAD FILE NAME:		PAGE 18 OF 37	

EMMC

REF 1600-1699

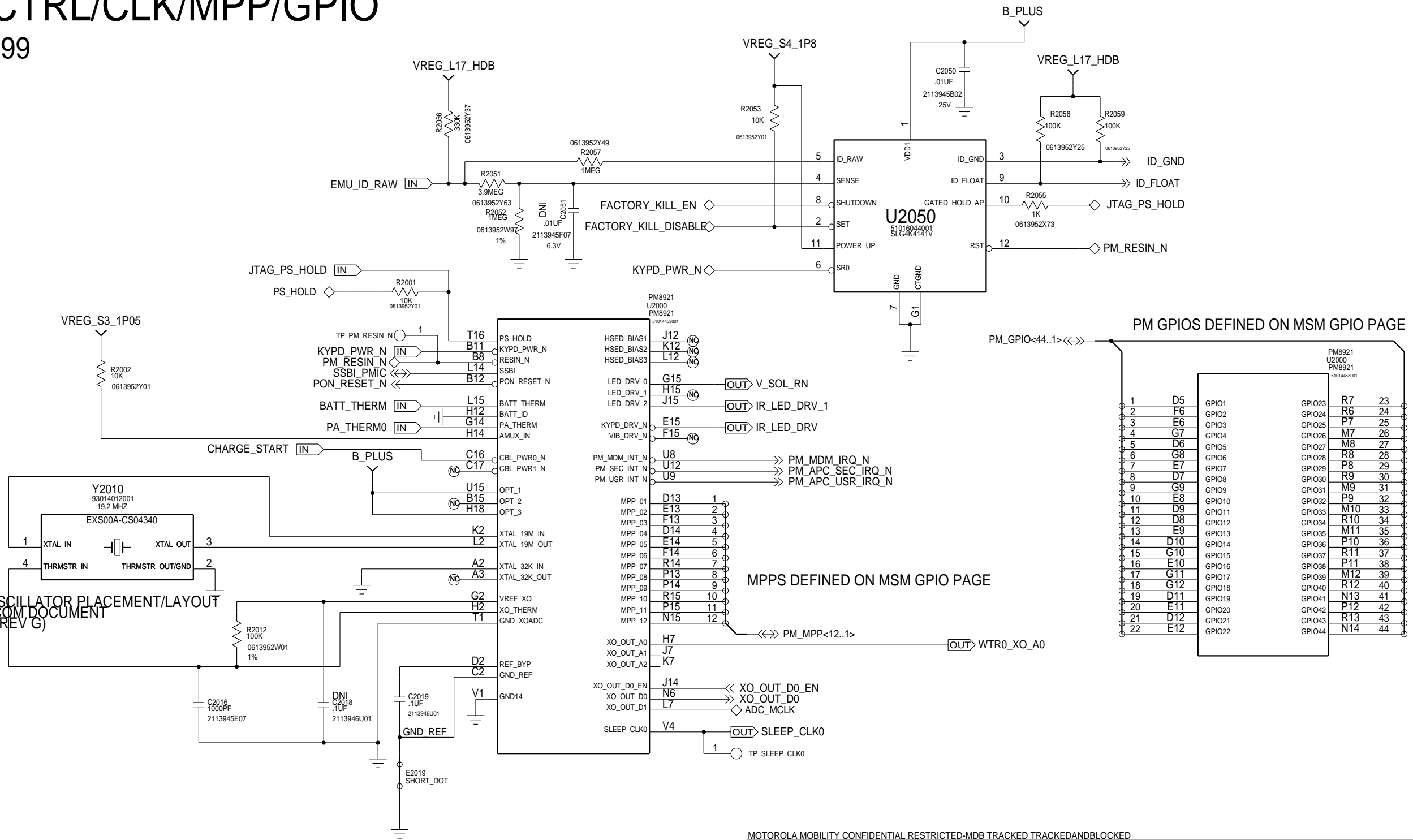


MOTOROLA MOBILITY CONFIDENTIAL RESTRICTED-MDB TRACKED TRACKEDANDBLOCKED

APPROVALS		 MOTOROLA MOBILE DEVICES	
ENGINEER: XFON TEAM		BLOCK TITLE:	
LAST MODIFIED BY: GIANCARLO M Mon Jun 24 11:25:10 2013		<h1>block_msm8960_pm8921</h1>	
MOTOROLA CONFIDENTIAL RESTRICTED		PROJECT NAME	REV
<small>THE DRAWING ON THIS PRINT AND INFORMATION THEREWITH ARE PROPRIETARY TO MOTOROLA AND SHALL NOT BE USED OR DISCUSSED IN WHOLE OR IN PART WITHOUT MOTOROLA'S CONSENT.</small> <small>© COPYRIGHT, MOTOROLA. THIS DOES NOT IMPLY PUBLICATION</small>		B xfon.cpm	01
		CAD FILE NAME:	PAGE 19 OF 37

PM8921 CTRL/CLK/MPP/GPIO

REF 2000-2099



FOLLOW CRYSTAL OSCILLATOR PLACEMENT/LAYOUT INSTRUCTIONS IN QCOM DOCUMENT 80-N5423-5 (P. 221 IN REV G)

PM GPIOs DEFINED ON MSM GPIO PAGE

1	D5	GPIO1	GPIO23	R7	23
2	F6	GPIO2	GPIO24	R6	24
3	E6	GPIO3	GPIO25	P7	25
4	G7	GPIO4	GPIO26	M7	26
5	D6	GPIO5	GPIO27	M8	27
6	G8	GPIO6	GPIO28	R8	28
7	E7	GPIO7	GPIO29	P8	29
8	D7	GPIO8	GPIO30	R9	30
9	G9	GPIO9	GPIO31	M9	31
10	E8	GPIO10	GPIO32	P9	32
11	D9	GPIO11	GPIO33	M10	33
12	D8	GPIO12	GPIO34	R10	34
13	E9	GPIO13	GPIO35	M11	35
14	D10	GPIO14	GPIO36	P10	36
15	G10	GPIO15	GPIO37	R11	37
16	E10	GPIO16	GPIO38	P11	38
17	G11	GPIO17	GPIO39	M12	39
18	G12	GPIO18	GPIO40	R12	40
19	D11	GPIO19	GPIO41	N13	41
20	E11	GPIO20	GPIO42	P12	42
21	D12	GPIO21	GPIO43	R13	43
22	E12	GPIO22	GPIO44	N14	44

MPPs DEFINED ON MSM GPIO PAGE

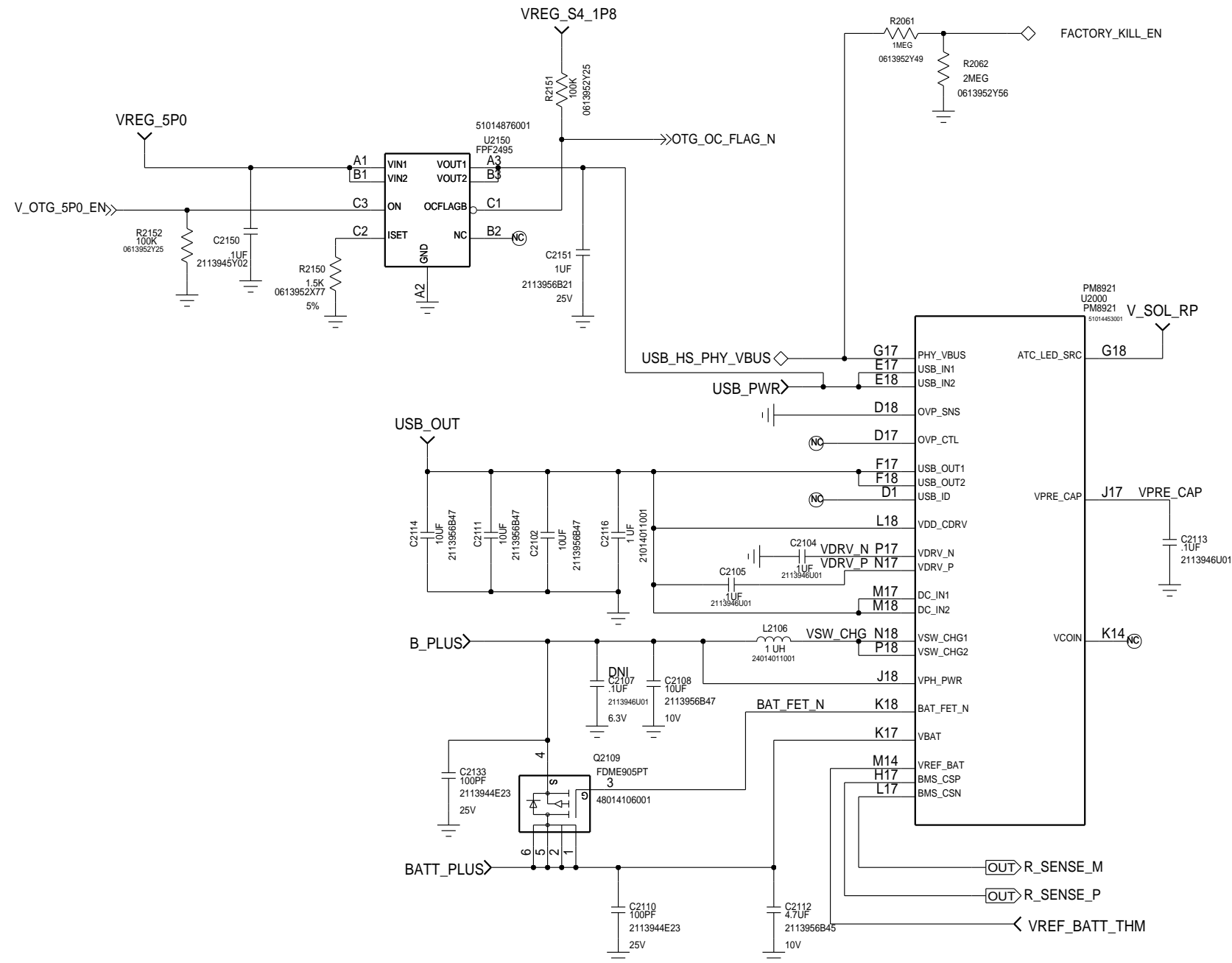
MPP_01	D13	1
MPP_02	E13	2
MPP_03	F13	3
MPP_04	D14	4
MPP_05	E14	5
MPP_06	F14	6
MPP_07	R14	7
MPP_08	P13	8
MPP_09	P14	9
MPP_10	R15	10
MPP_11	P15	11
MPP_12	N15	12


MOTOROLA MOBILITY CONFIDENTIAL RESTRICTED-MDB TRACKED TRACKEDANDBLOCKED

APPROVALS		MOTOROLA MOBILE DEVICES	
ENGINEER:		BLOCK TITLE:	
LAST MODIFIED BY: Mon Jun 24 11:25:11 2013		block_msm8960_pm8921	
MOTOROLA CONFIDENTIAL RESTRICTED THE DRAWING ON THIS PRINT AND INFORMATION THEREWITH ARE PROPRIETARY TO MOTOROLA AND SHALL NOT BE USED OR DISCUSSED IN WHOLE OR IN PART WITHOUT MOTOROLA'S CONSENT. © COPYRIGHT, MOTOROLA. THIS DOES NOT IMPLY PUBLICATION		PROJECT NAME	REV
		B xfon.cpm	01
CAD FILE NAME:		PAGE 20 OF 37	

PM8921 CHARGING

REF 2100-2199

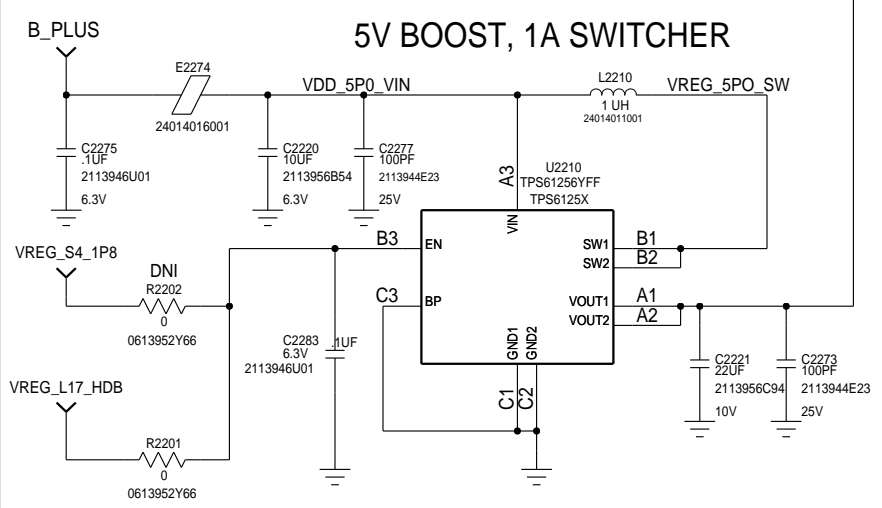
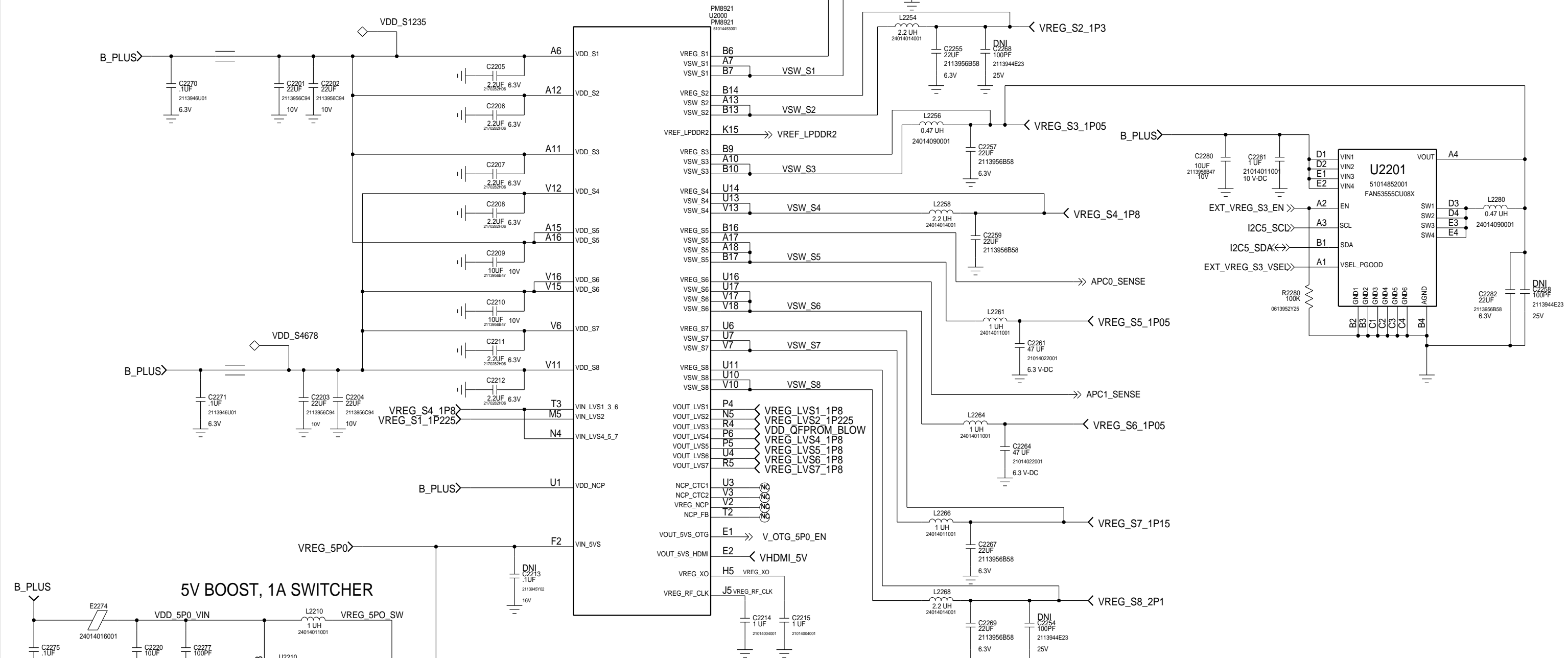


APPROVALS		 MOTOROLA MOBILE DEVICES	
ENGINEER: XFON TEAM		BLOCK TITLE:	
LAST MODIFIED BY: GIANCARLO M Mon Jun 24 11:25:12 2013		block_msm8960_pm8921	
MOTOROLA CONFIDENTIAL RESTRICTED <small>THE DRAWING ON THIS PRINT AND INFORMATION THEREWITH ARE PROPRIETARY TO MOTOROLA AND SHALL NOT BE USED OR DISCUSSED IN WHOLE OR IN PART WITHOUT MOTOROLA'S CONSENT. © COPYRIGHT, MOTOROLA. THIS DOES NOT IMPLY PUBLICATION</small>		PROJECT NAME B xfon.cpm	REV 01
CAD FILE NAME:		PAGE 21 OF 37	

BASED ON 80-N1622-41 REV. H

PM8921 SMPS

REF 2200-2299



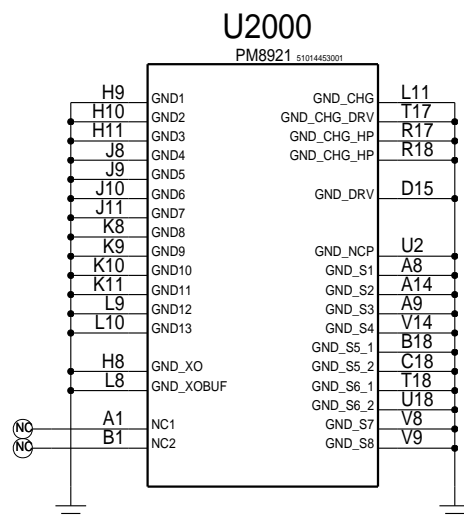
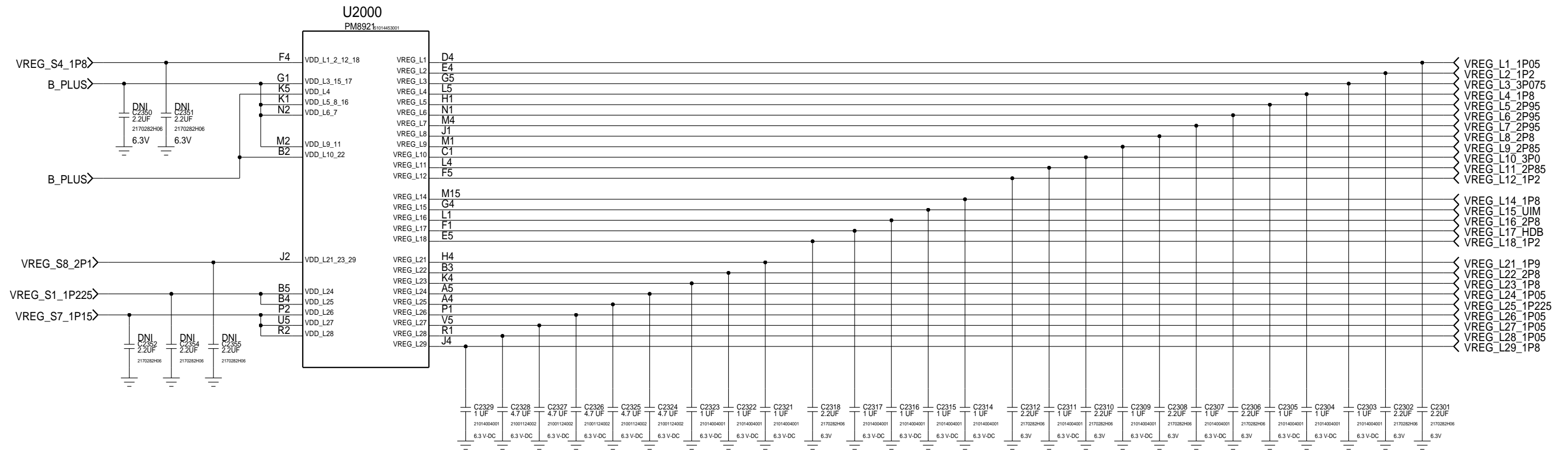
MOTOROLA MOBILITY CONFIDENTIAL RESTRICTED-MDB TRACKED TRACKEDANDBLOCKED

APPROVALS		 MOTOROLA MOBILE DEVICES	
ENGINEER: XFON TEAM			
LAST MODIFIED BY: GIANCARLO M Mon Jun 24 11:25:12 2013		PROJECT NAME xfon.cpm	
MOTOROLA CONFIDENTIAL RESTRICTED THE DRAWING ON THIS PRINT AND INFORMATION THEREWITH ARE PROPRIETARY TO MOTOROLA AND SHALL NOT BE USED OR DISCUSSED IN WHOLE OR IN PART WITHOUT MOTOROLA'S CONSENT. © COPYRIGHT, MOTOROLA. THIS DOES NOT IMPLY PUBLICATION		REV 01	
CAD FILE NAME:		PAGE 22 OF 37	

BASED ON 80-N1622-41 REV. H

PM8921 VREGS

REF 2300-2399



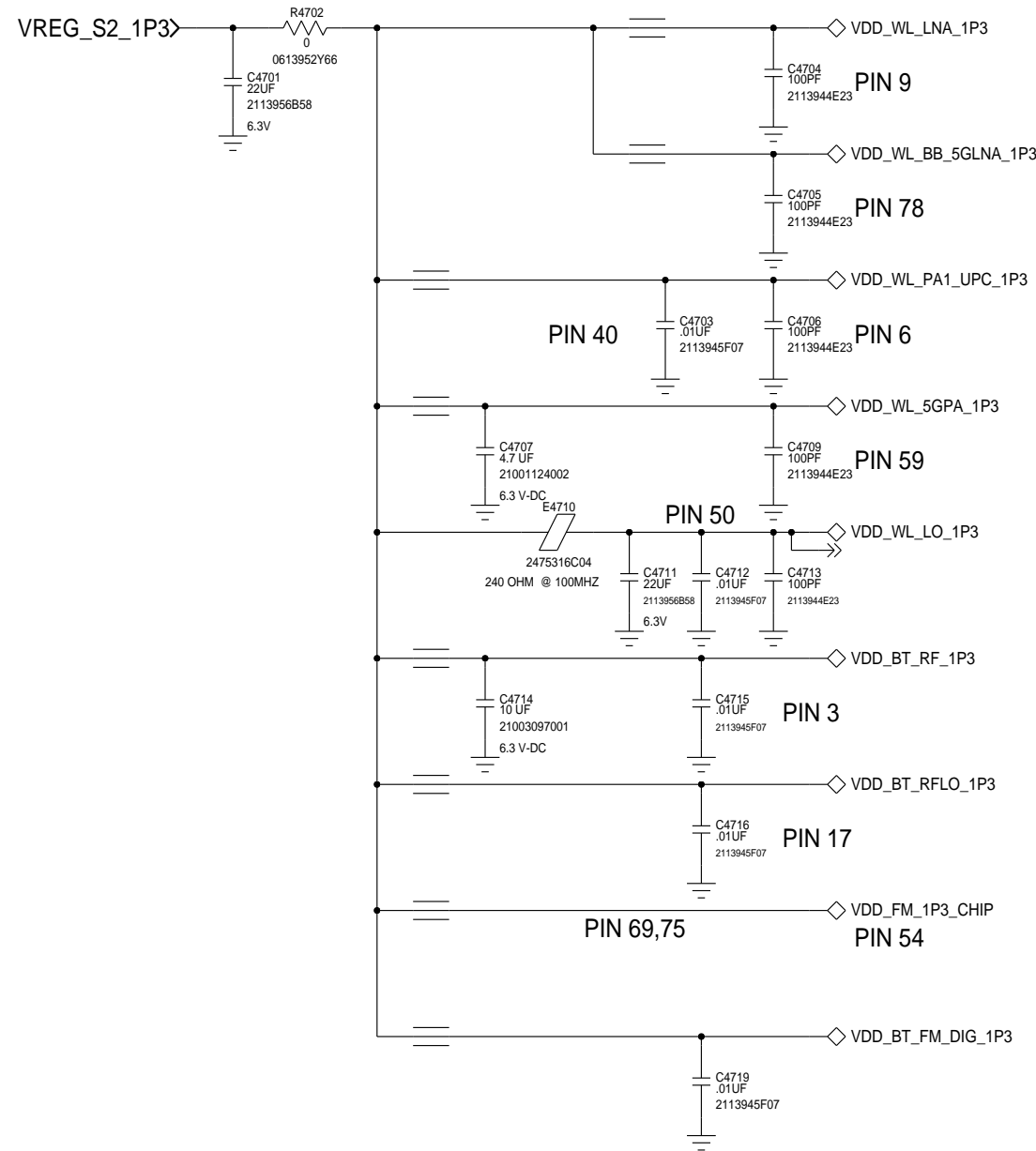
BASED ON 80-N1622-41 REV. E

APPROVALS		MOTOROLA MOBILE DEVICES	
ENGINEER: XFON TEAM		BLOCK TITLE:	
LAST MODIFIED BY: GIANCARLO M Mon Jun 24 11:25:14 2013		block_msm8960_pm8921	
MOTOROLA CONFIDENTIAL RESTRICTED <small>THE DRAWING ON THIS PRINT AND INFORMATION THEREWITH ARE PROPRIETARY TO MOTOROLA AND SHALL NOT BE USED OR DISCUSSED IN WHOLE OR IN PART WITHOUT MOTOROLA'S CONSENT. © COPYRIGHT, MOTOROLA. THIS DOES NOT IMPLY PUBLICATION</small>		PROJECT NAME B xfon.cpm	REV 01
		CAD FILE NAME:	PAGE 23 OF 37

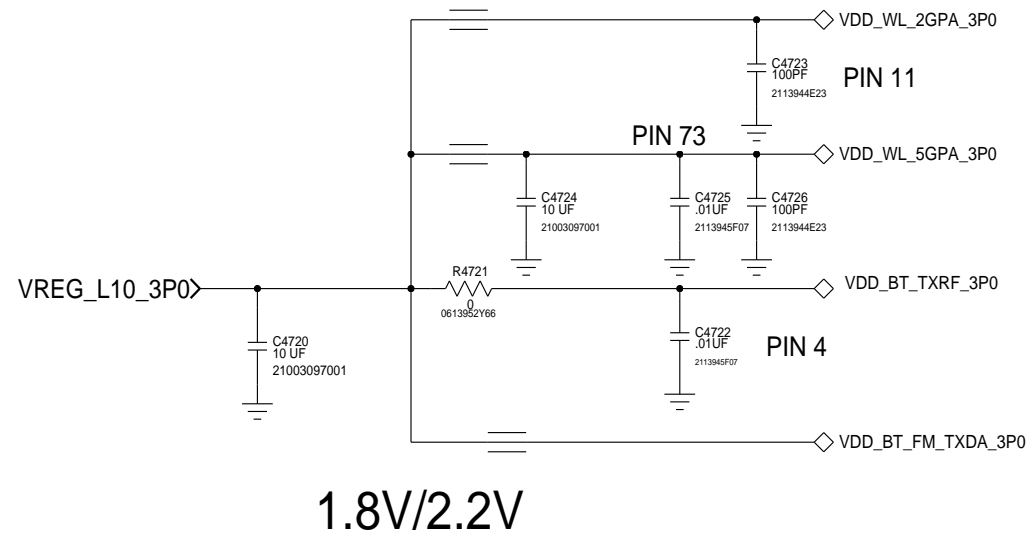
WCN3680 POWER

REF 4700-4799

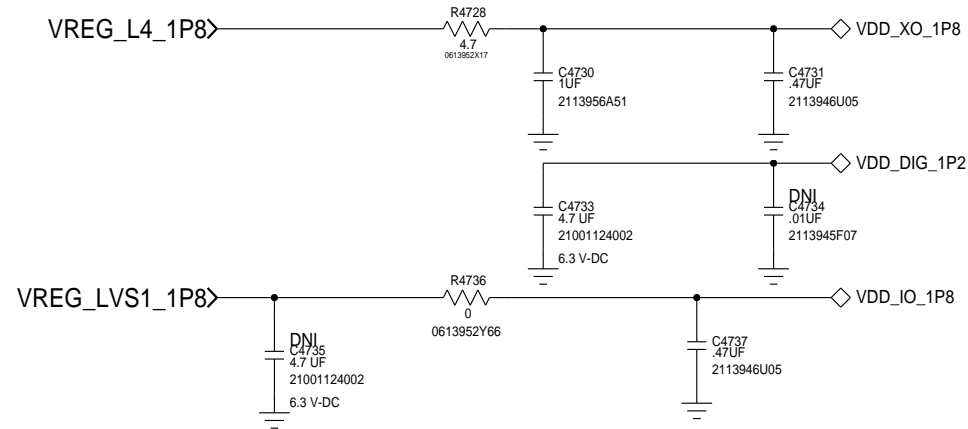
BT_FM_WLAN_1P3



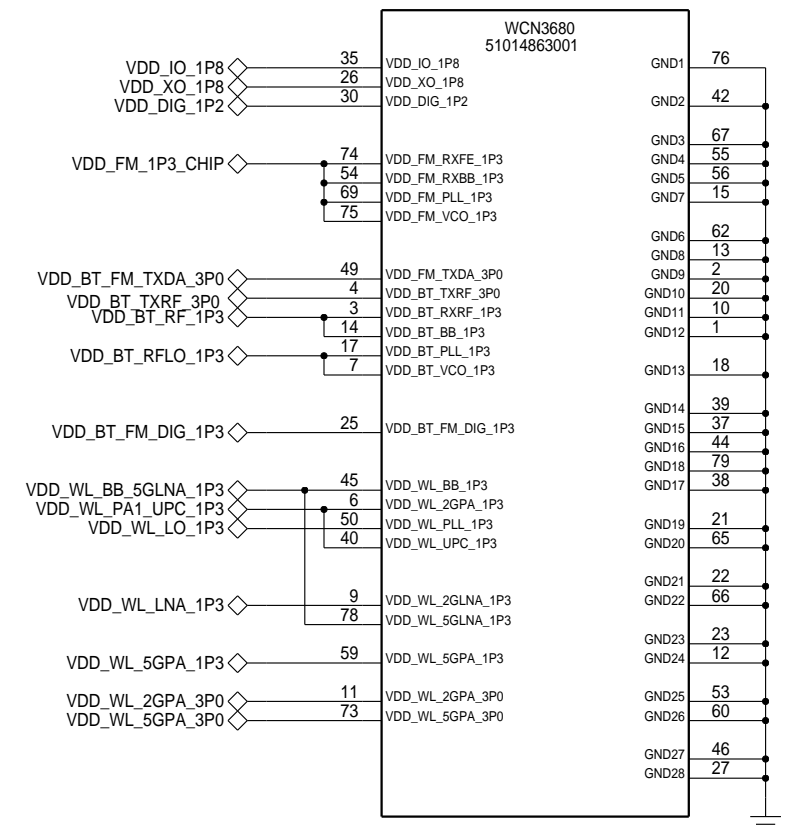
WLBT_3.0V



1.8V/2.2V



U4600



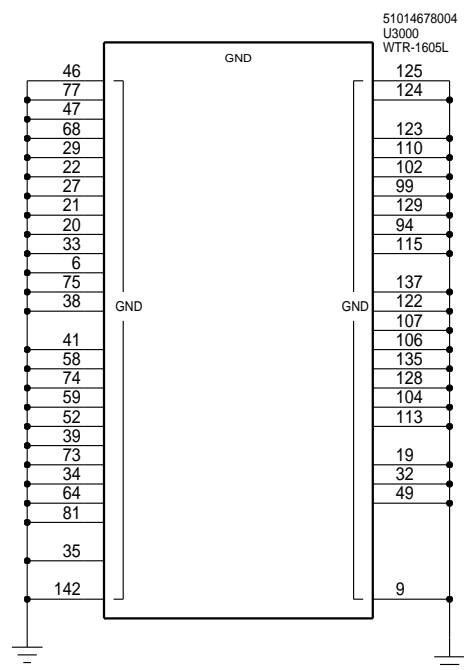
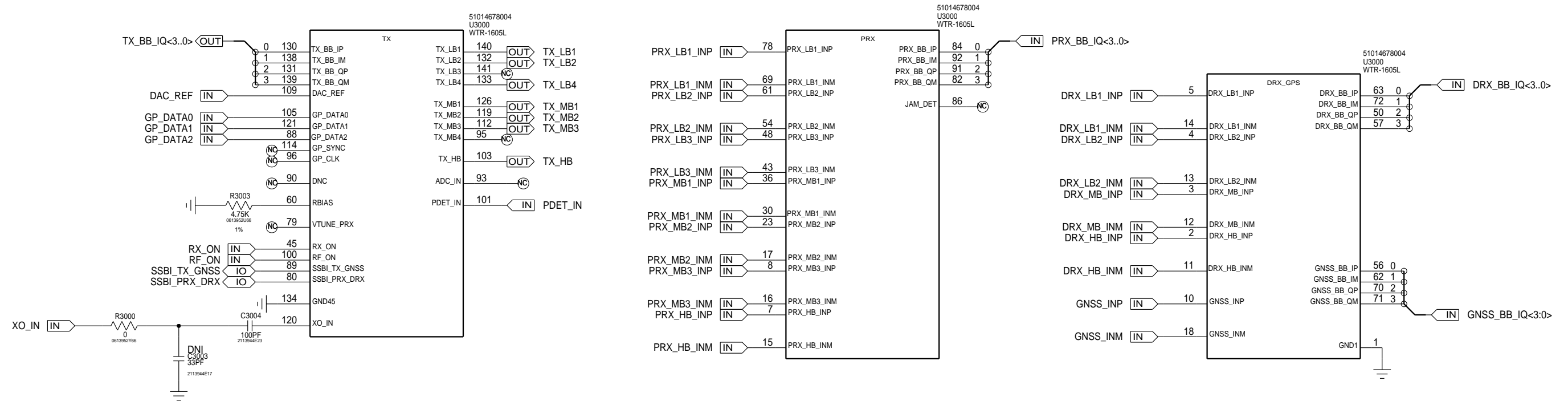
MOTOROLA MOBILITY CONFIDENTIAL RESTRICTED-MDB TRACKED TRACKEDANDBLOCKED

APPROVALS		MOTOROLA MOBILE DEVICES	
ENGINEER:		BLOCK TITLE:	
LAST MODIFIED BY: FROEHLING Mon Jun 24 11:24:58 2013		block_wcn3660	
MOTOROLA CONFIDENTIAL RESTRICTED THE DRAWING ON THIS PRINT AND INFORMATION THEREWITH ARE PROPRIETARY TO MOTOROLA AND SHALL NOT BE USED OR DISCUSSED IN WHOLE OR IN PART WITHOUT MOTOROLA'S CONSENT. © COPYRIGHT, MOTOROLA. THIS DOES NOT IMPLY PUBLICATION		PROJECT NAME B xfon.cpm	REV 01
CAD FILE NAME:		PAGE 25 OF 37	

BASED ON 80-N1622-44 REV. J

WTR1605L BB RF

REF 3000-3099



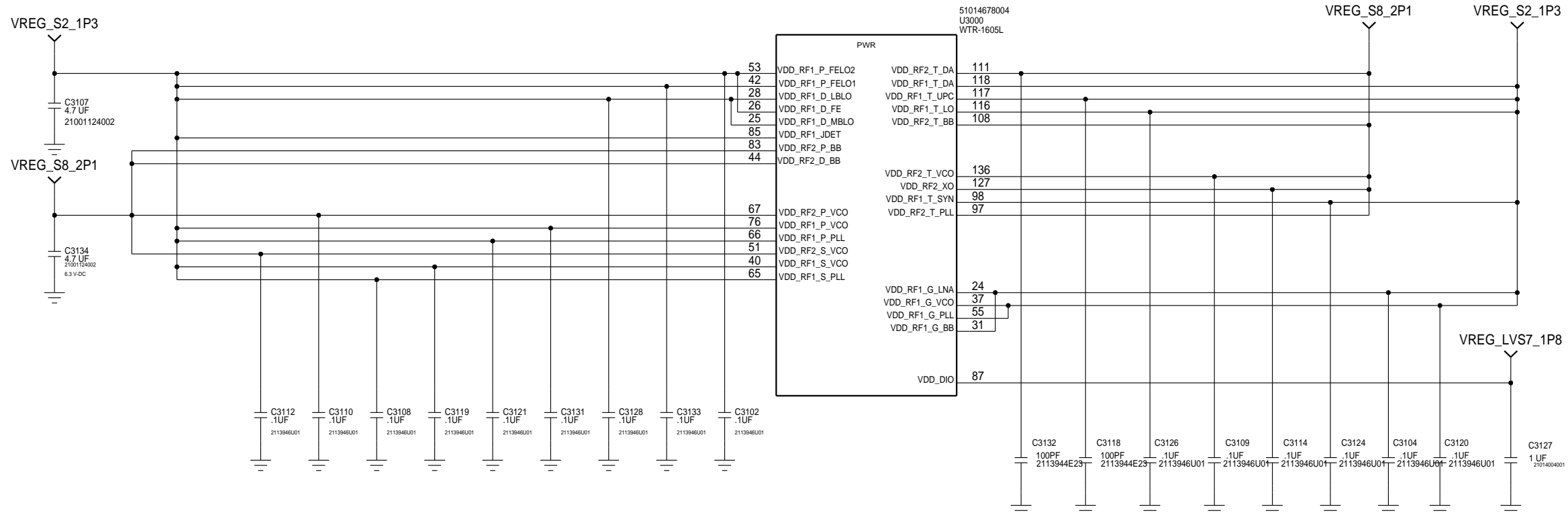
MOTOROLA MOBILITY CONFIDENTIAL RESTRICTED-MDB TRACKED TRACKEDANDBLOCKED

APPROVALS		MOTOROLA MOBILE DEVICES	
ENGINEER: THIREN RAYAMAJHI		BLOCK TITLE: block_wtr1605l	
LAST MODIFIED BY: Mon Jun 24 11:24:54 2013			
MOTOROLA CONFIDENTIAL RESTRICTED <small>THE DRAWING ON THIS PRINT AND INFORMATION THEREWITH ARE PROPRIETARY TO MOTOROLA AND SHALL NOT BE USED OR DISCUSSED IN WHOLE OR IN PART WITHOUT MOTOROLA'S CONSENT. © COPYRIGHT, MOTOROLA. THIS DOES NOT IMPLY PUBLICATION</small>		PROJECT NAME B xfon.cpm	REV 01
		CAD FILE NAME: PAGE 26 OF 37	


BASED ON 80-N5420-45 REV. C

WTR1605L POWER

REF 3100-3199



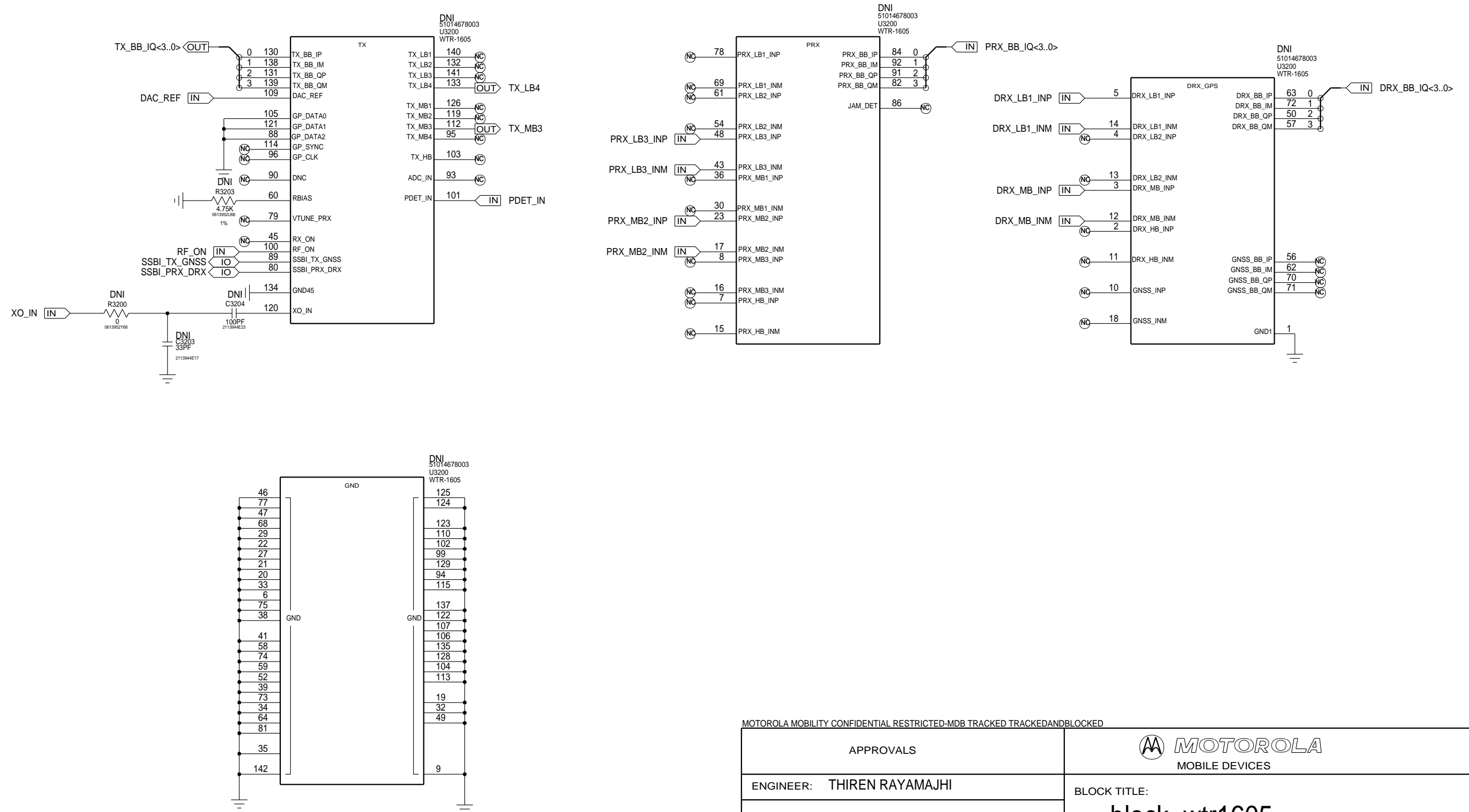
MOTOROLA MOBILITY CONFIDENTIAL RESTRICTED-MDB TRACKED TRACKEDANDBLOCKED

APPROVALS		 MOTOROLA MOBILE DEVICES	
ENGINEER: THIREN RAYAMAJHI		BLOCK TITLE:	
LAST MODIFIED BY: THIREN RAYAMAJHI Mon Jun 24 11:24:55 2013		block_wtr1605l	
MOTOROLA CONFIDENTIAL RESTRICTED <small>THE DRAWING ON THIS PRINT AND INFORMATION THEREWITH ARE PROPRIETARY TO MOTOROLA AND SHALL NOT BE USED OR DISCUSSED IN WHOLE OR IN PART WITHOUT MOTOROLA'S CONSENT. © COPYRIGHT, MOTOROLA. THIS DOES NOT IMPLY PUBLICATION</small>		PROJECT NAME B xfon.cpm	REV 01
		CAD FILE NAME:	
		PAGE 27 OF 37	

BASED ON 80-5420-45 REV. C

WTR1605 BB RF

REF 3200-3299



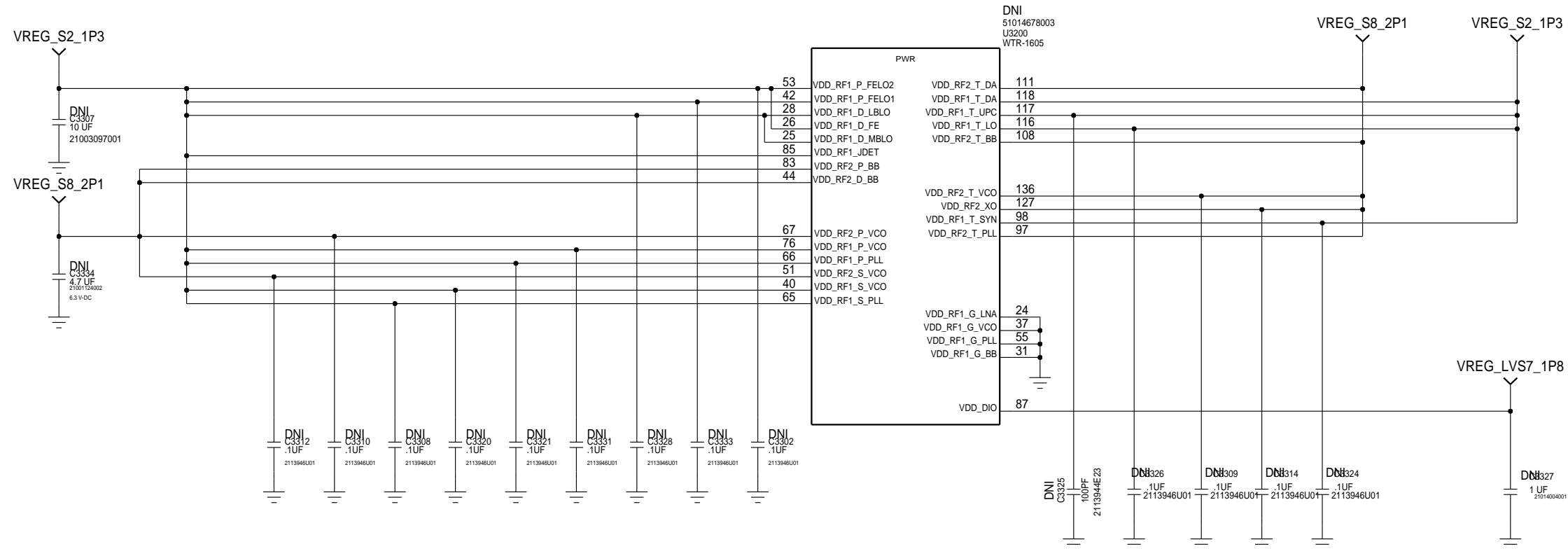
BASED ON 80-N5420-45 REV. C

MOTOROLA MOBILITY CONFIDENTIAL RESTRICTED-MDB TRACKED TRACKEDANDBLOCKED


APPROVALS		MOTOROLA MOBILE DEVICES	
ENGINEER: THIREN RAYAMAJHI		BLOCK TITLE:	
LAST MODIFIED BY: Mon Jun 24 11:24:53 2013		block_wtr1605	
MOTOROLA CONFIDENTIAL RESTRICTED <small>THE DRAWING ON THIS PRINT AND INFORMATION THEREWITH ARE PROPRIETARY TO MOTOROLA AND SHALL NOT BE USED OR DISCUSSED IN WHOLE OR IN PART WITHOUT MOTOROLA'S CONSENT. © COPYRIGHT, MOTOROLA. THIS DOES NOT IMPLY PUBLICATION</small>		PROJECT NAME	REV
		B xfon.cpm	01
CAD FILE NAME:		PAGE 28 OF 37	

WTR1605 POWER

REF 3300-3399



MOTOROLA MOBILITY CONFIDENTIAL RESTRICTED-MDB TRACKED TRACKEDANDBLOCKED

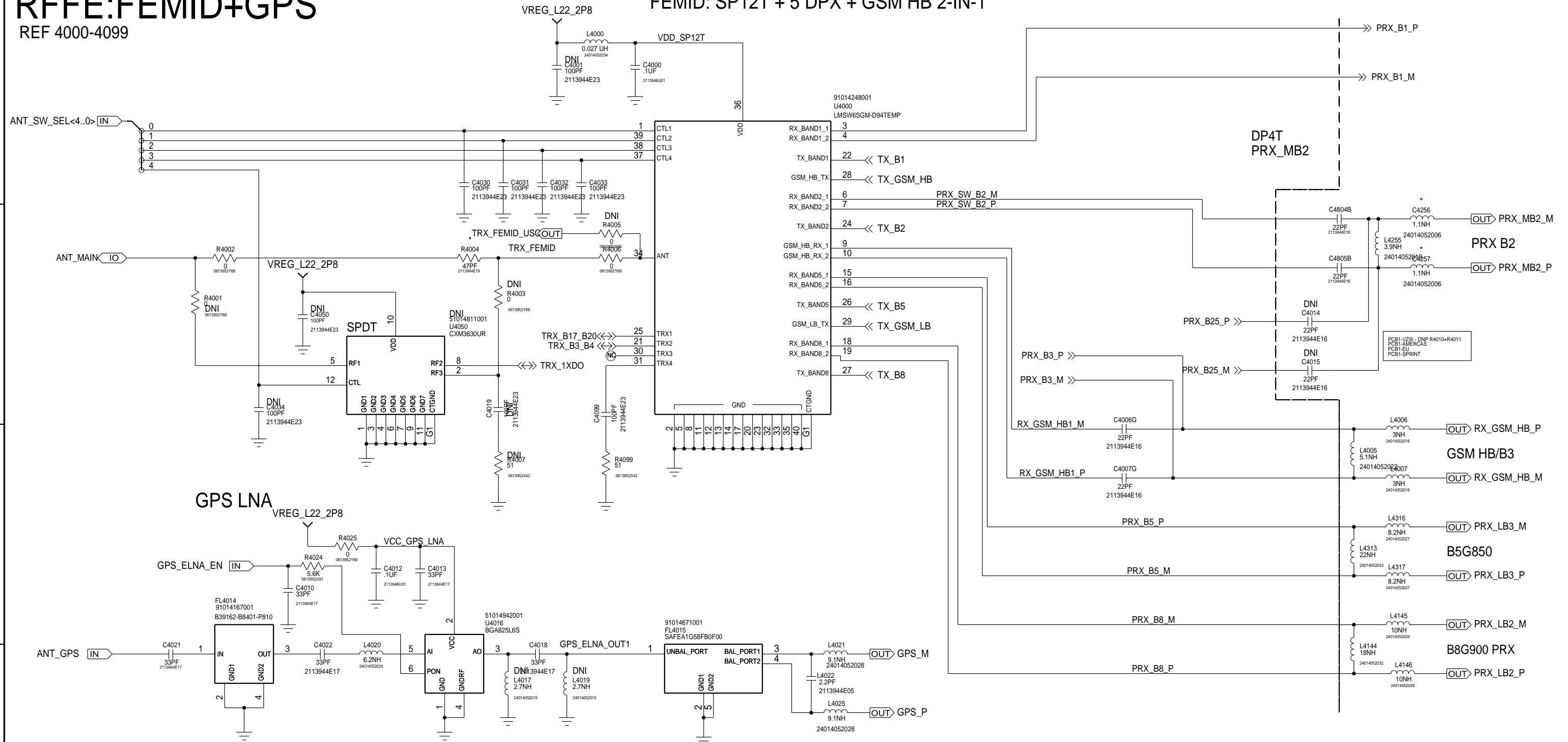
APPROVALS		 MOTOROLA MOBILE DEVICES	
ENGINEER: THIREN RAYAMAJHI		BLOCK TITLE:	
LAST MODIFIED BY: Mon Jun 24 11:24:53 2013		block_wtr1605	
MOTOROLA CONFIDENTIAL RESTRICTED <small>THE DRAWING ON THIS PRINT AND INFORMATION THEREWITH ARE PROPRIETARY TO MOTOROLA AND SHALL NOT BE USED OR DISCUSSED IN WHOLE OR IN PART WITHOUT MOTOROLA'S CONSENT. © COPYRIGHT, MOTOROLA. THIS DOES NOT IMPLY PUBLICATION</small>		PROJECT NAME B xfon.cpm	REV 01
		CAD FILE NAME:	
		PAGE 29 OF 37	

BASED ON 80-5420-45 REV. C

RFFE:FEMID+GPS

REF 4000-4099

FEMID: SP12T + 5 DPX + GSM HB 2-IN-1



RF FRONT END NOTES

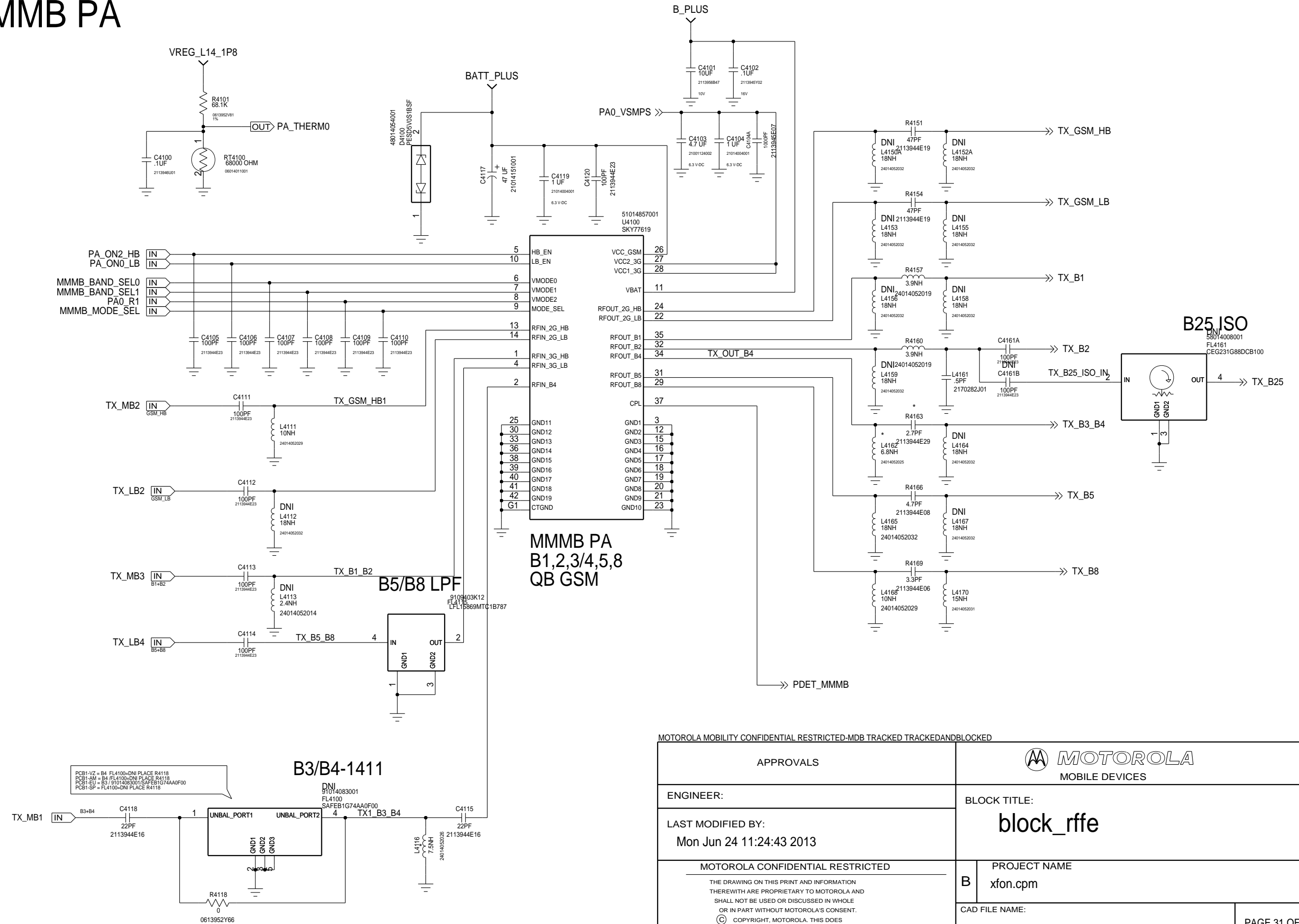
- FOUR VARIANTS: PCB1-VZ, PCB1-AM, PCB1-EU AND PCB1-SP
- DNP COMPONENTS COMMON TO ALL VARIANTS ARE GRAY, VIOLET IS VARIANT DEPENDENT
- WHERE REF SCHEMATICS DIFFER, VZW IS USED UNLESS OTHERWISE NOTED
- HDET: MMPA > B7 > 700
- BASED ON THE FOLLOWING QC REF DESIGNS:
 80-N5420-45 REV. A -- WTR1605L_NASVLT1 (VERIZON)
 80-N5420-42 REV. B -- WTR1605L_NA717/EU (AT&T/EU)
 80-N5420-49 REV. B -- WTR1605_HCMMPA+FEM (NA/EU)

MOTOROLA MOBILITY CONFIDENTIAL RESTRICTED-MDB TRACKED TRACKEDANDBLOCKED

APPROVALS		 MOBILE DEVICES	
ENGINEER: SCOTT WALTER		BLOCK TITLE:	
LAST MODIFIED BY: SCOTT WALTER Mon Jun 24 11:24:42 2013		block_rfe	
MOTOROLA CONFIDENTIAL RESTRICTED THE DRAWING ON THIS PRINT AND INFORMATION THERWITH ARE PROPRIETARY TO MOTOROLA AND SHALL NOT BE USED OR DISCUSSED IN WHOLE OR IN PART WITHOUT MOTOROLA'S CONSENT. © COPYRIGHT, MOTOROLA. THIS DOES NOT IMPLY PUBLICATION		PROJECT NAME B xfon.cpm	REV 01
CAD FILE NAME:		PAGE 30 OF 37	

RFFE:MMMB PA

REF 4100-4199

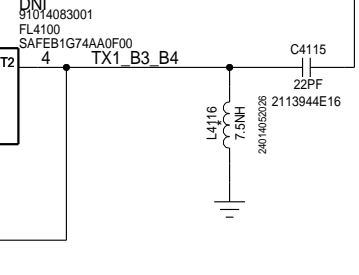


MOTOROLA MOBILITY CONFIDENTIAL RESTRICTED-MDB TRACKED TRACKEDANDBLOCKED

APPROVALS		 MOTOROLA MOBILE DEVICES	
ENGINEER:		BLOCK TITLE:	
LAST MODIFIED BY:		block_rfe	
MOTOROLA CONFIDENTIAL RESTRICTED THE DRAWING ON THIS PRINT AND INFORMATION THEREWITH ARE PROPRIETARY TO MOTOROLA AND SHALL NOT BE USED OR DISCUSSED IN WHOLE OR IN PART WITHOUT MOTOROLA'S CONSENT. © COPYRIGHT, MOTOROLA. THIS DOES NOT IMPLY PUBLICATION		PROJECT NAME	REV
		B xfon.cpm	01
CAD FILE NAME:		PAGE 31 OF 37	

PCB1-VZ = B4 FL4100-DNI PLACE R4118
 PCB1-AM = B4 FL4100-DNI PLACE R4118
 PCB1-EU = B3 / 01014083001/SAFE1G74AA0F00
 PCB1-SP = FL4100-DNI PLACE R4118

B3/B4-1411

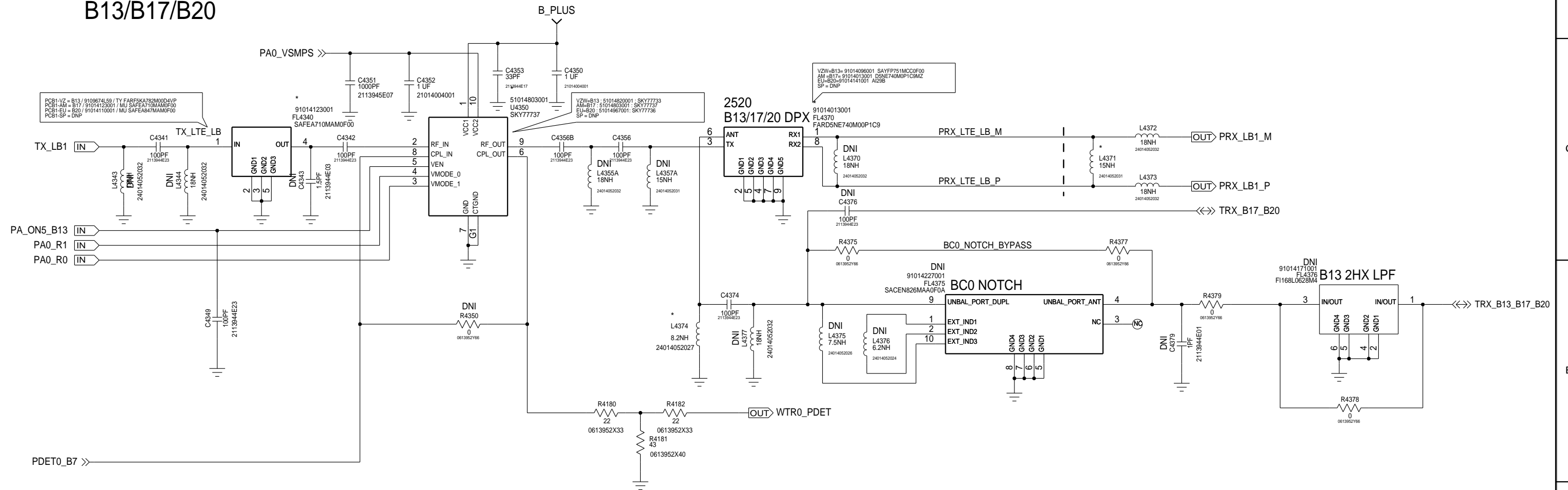


PDET_MMMB


RFFE:B13/B17/B20

REF 4200-4299

B13/B17/B20



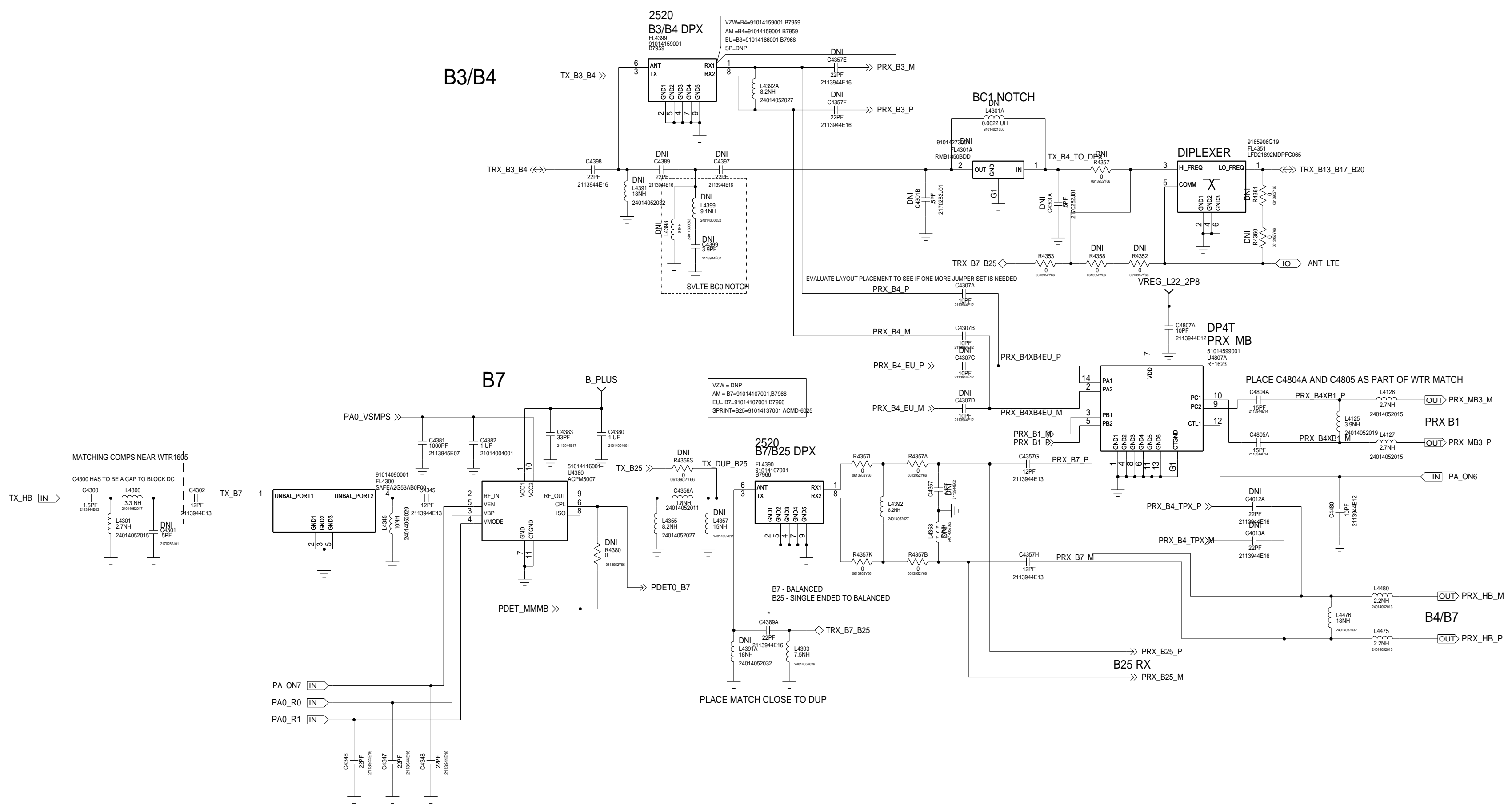
MOTOROLA MOBILITY CONFIDENTIAL RESTRICTED-MDB TRACKED TRACKEDANDBLOCKED

APPROVALS		 MOTOROLA MOBILE DEVICES	
ENGINEER:		BLOCK TITLE:	
LAST MODIFIED BY:		block_rfe	
MOTOROLA CONFIDENTIAL RESTRICTED THE DRAWING ON THIS PRINT AND INFORMATION THEREWITH ARE PROPRIETARY TO MOTOROLA AND SHALL NOT BE USED OR DISCUSSED IN WHOLE OR IN PART WITHOUT MOTOROLA'S CONSENT. © COPYRIGHT, MOTOROLA. THIS DOES NOT IMPLY PUBLICATION		PROJECT NAME B xfon.cpm	REV 01
CAD FILE NAME:		PAGE 32 OF 37	

RFFE:B3/B4+B7/B25

REF 4300-4399

REVISIONS			
ZONE	LTR	DESCRIPTION	DATE

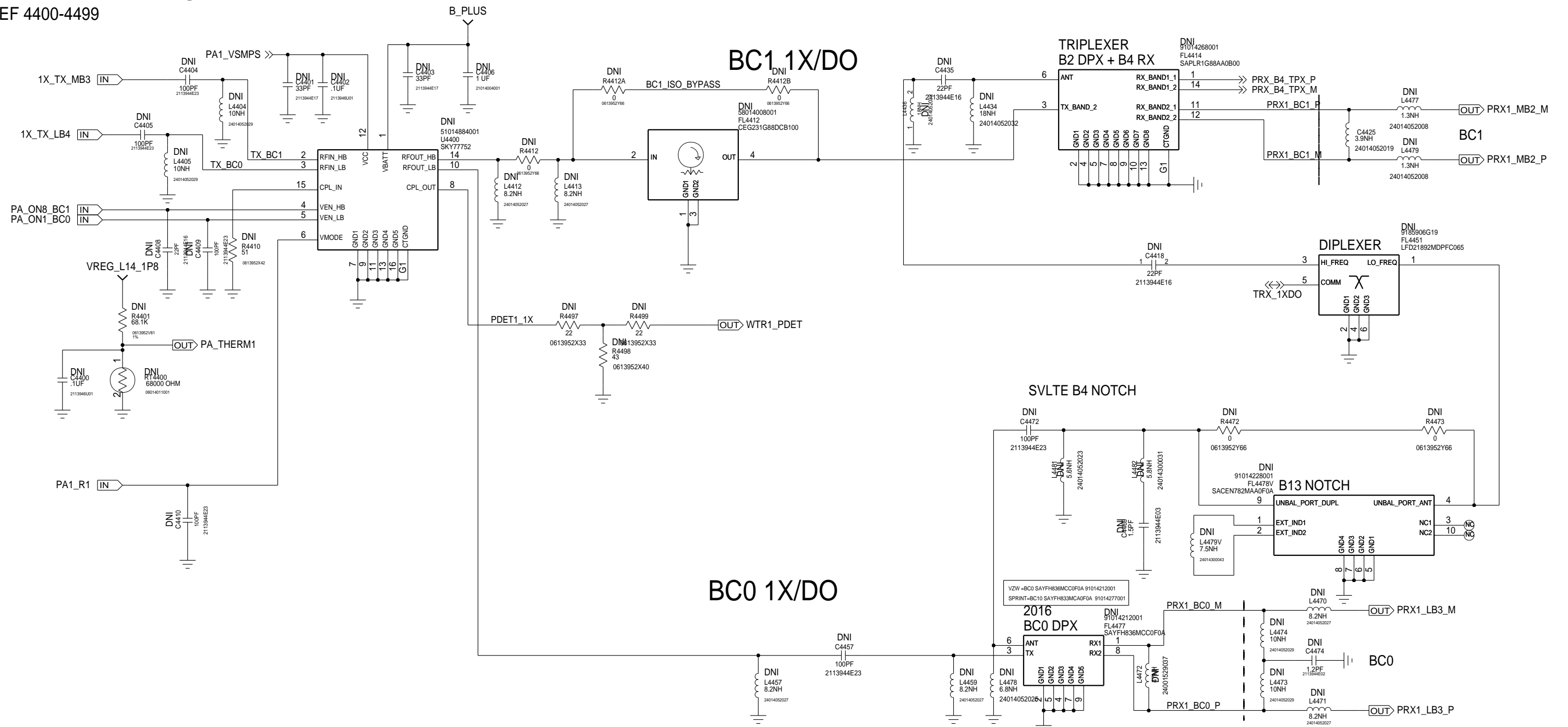


MOTOROLA MOBILITY CONFIDENTIAL RESTRICTED-MDB TRACKED TRACKEDANDBLOCKED

APPROVALS		MOTOROLA MOBILE DEVICES	
ENGINEER:		BLOCK TITLE: block_rffe	
LAST MODIFIED BY: Mon Jun 24 11:24:45 2013		PROJECT NAME C xfon.cpm	
MOTOROLA CONFIDENTIAL RESTRICTED <small>THE DRAWING ON THIS PRINT AND INFORMATION THEREWITH ARE PROPRIETARY TO MOTOROLA AND SHALL NOT BE USED OR DISCUSSED IN WHOLE OR IN PART WITHOUT MOTOROLA'S CONSENT. © COPYRIGHT, MOTOROLA. THIS DOES NOT IMPLY PUBLICATION.</small>		CAD FILE NAME:	REV 01
		PAGE 33 of 37	

RFFE:1X+DO

REF 4400-4499

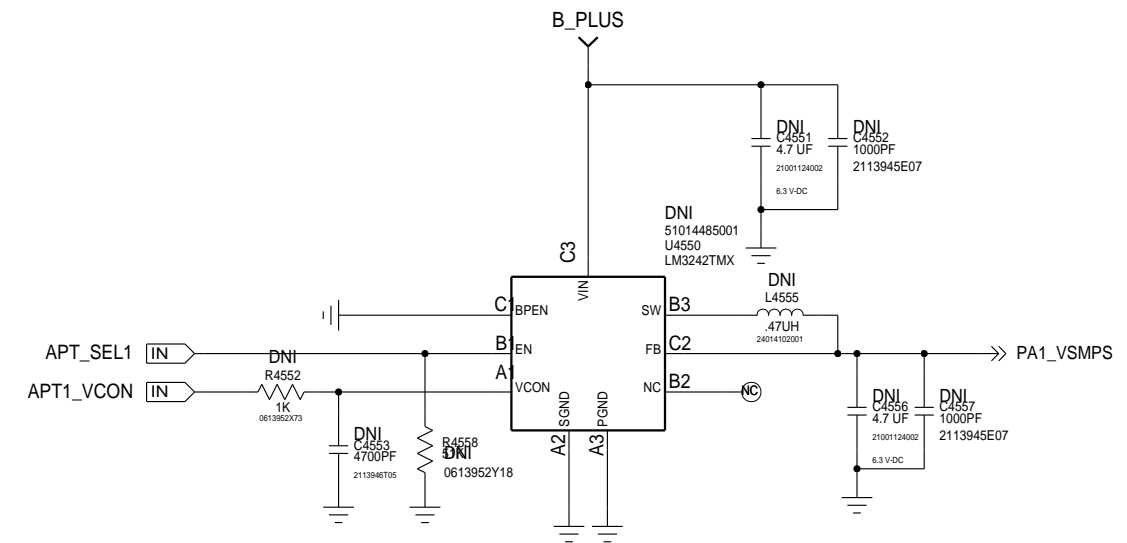
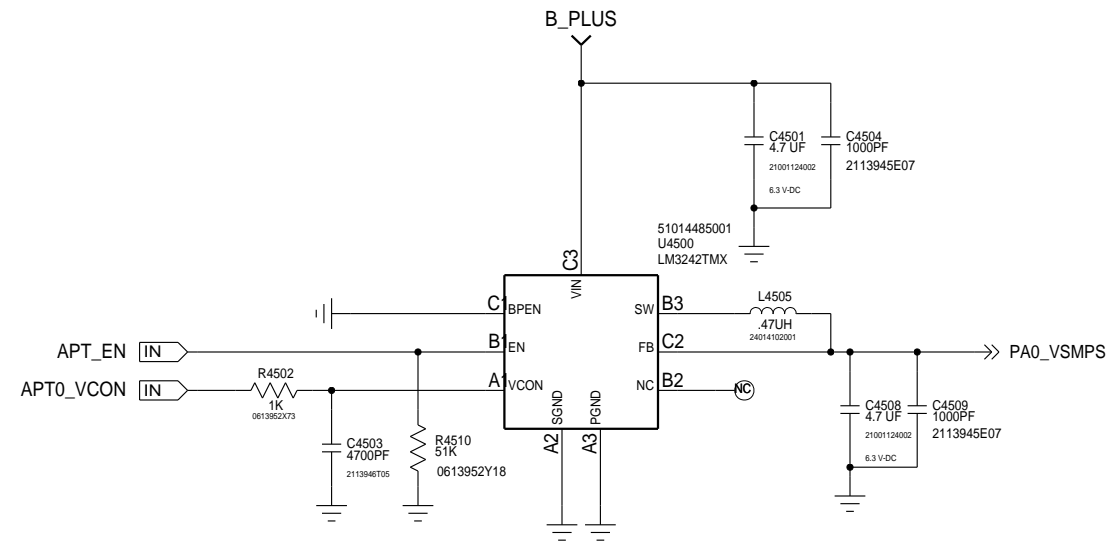


MOTOROLA MOBILITY CONFIDENTIAL RESTRICTED-MDB TRACKED TRACKEDANDBLOCKED

APPROVALS		 MOTOROLA MOBILE DEVICES	
ENGINEER:		BLOCK TITLE:	
LAST MODIFIED BY:		block_rfe	
MOTOROLA CONFIDENTIAL RESTRICTED THE DRAWING ON THIS PRINT AND INFORMATION THEREWITH ARE PROPRIETARY TO MOTOROLA AND SHALL NOT BE USED OR DISCUSSED IN WHOLE OR IN PART WITHOUT MOTOROLA'S CONSENT. © COPYRIGHT, MOTOROLA. THIS DOES NOT IMPLY PUBLICATION		PROJECT NAME	REV
		B xfon.cpm	01
		CAD FILE NAME:	
		PAGE 34 OF 37	

RFFE:APT


REF 4500-4599



IMPORTANT LAYOUT NOTES

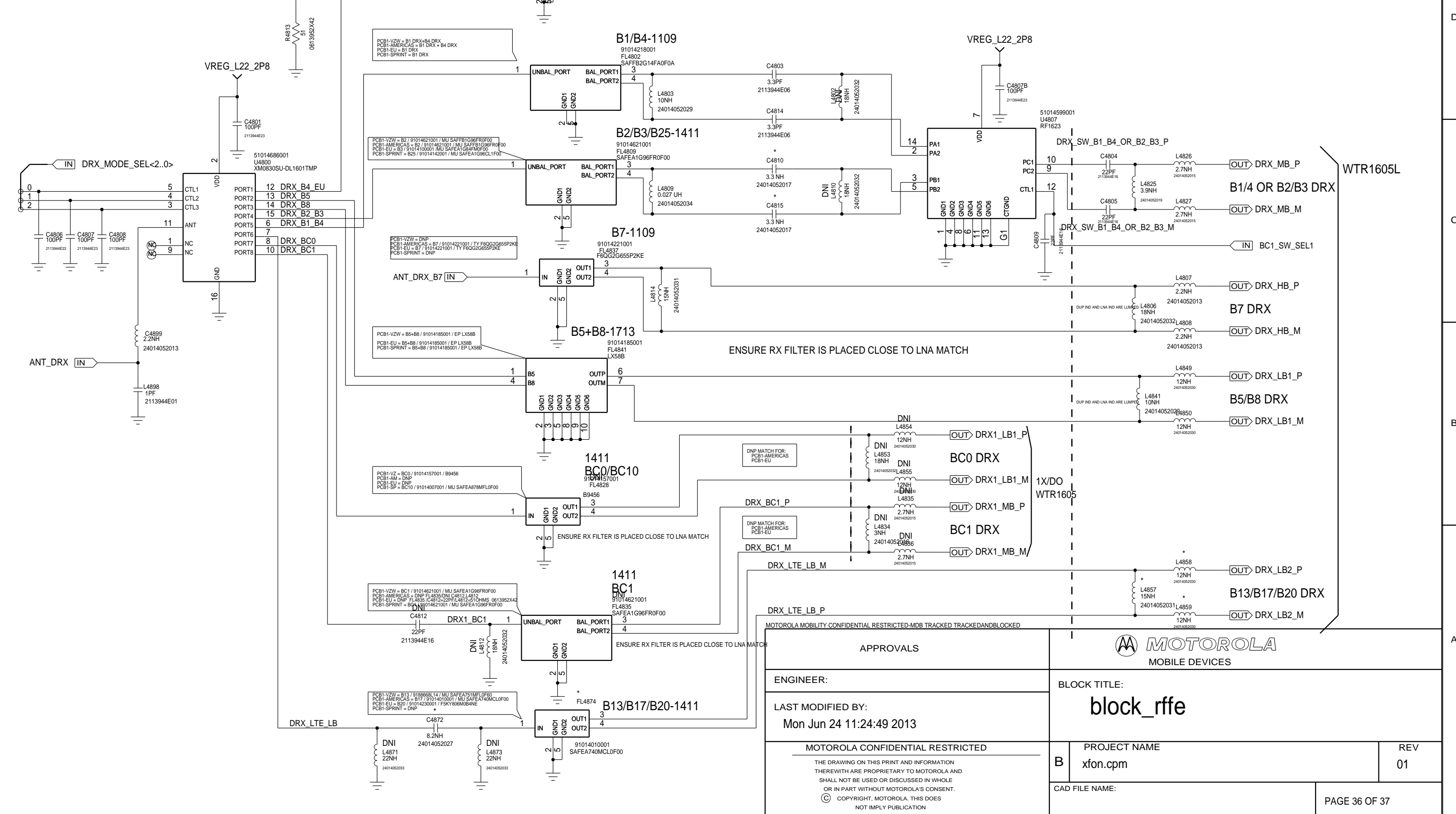
- 1) FOR PROPER GROUNDING OF SGND AND PGND REFER TO SWITCHER GUIDELINES FROM DATASHEET
- 2) FOR PLACEMENT DETAILS REFER TO 80-VT310-21

MOTOROLA MOBILITY CONFIDENTIAL RESTRICTED-MDB TRACKED TRACKEDANDBLOCKED

APPROVALS		 MOTOROLA MOBILE DEVICES	
ENGINEER:		BLOCK TITLE:	
LAST MODIFIED BY: Mon Jun 24 11:24:48 2013		block_rfe	
MOTOROLA CONFIDENTIAL RESTRICTED <small>THE DRAWING ON THIS PRINT AND INFORMATION THEREWITH ARE PROPRIETARY TO MOTOROLA AND SHALL NOT BE USED OR DISCUSSED IN WHOLE OR IN PART WITHOUT MOTOROLA'S CONSENT. © COPYRIGHT, MOTOROLA. THIS DOES NOT IMPLY PUBLICATION</small>		PROJECT NAME	REV
		B xfon.cpm	01
CAD FILE NAME:		PAGE 35 OF 37	

RFFE: DIVERSITY

REF 4800-4899



ENSURE RX FILTER IS PLACED CLOSE TO LNA MATCH

ENSURE RX FILTER IS PLACED CLOSE TO LNA MATCH

ENSURE RX FILTER IS PLACED CLOSE TO LNA MATCH

DNP MATCH FOR:
PCB1-AMERICAS
PCB1-EU

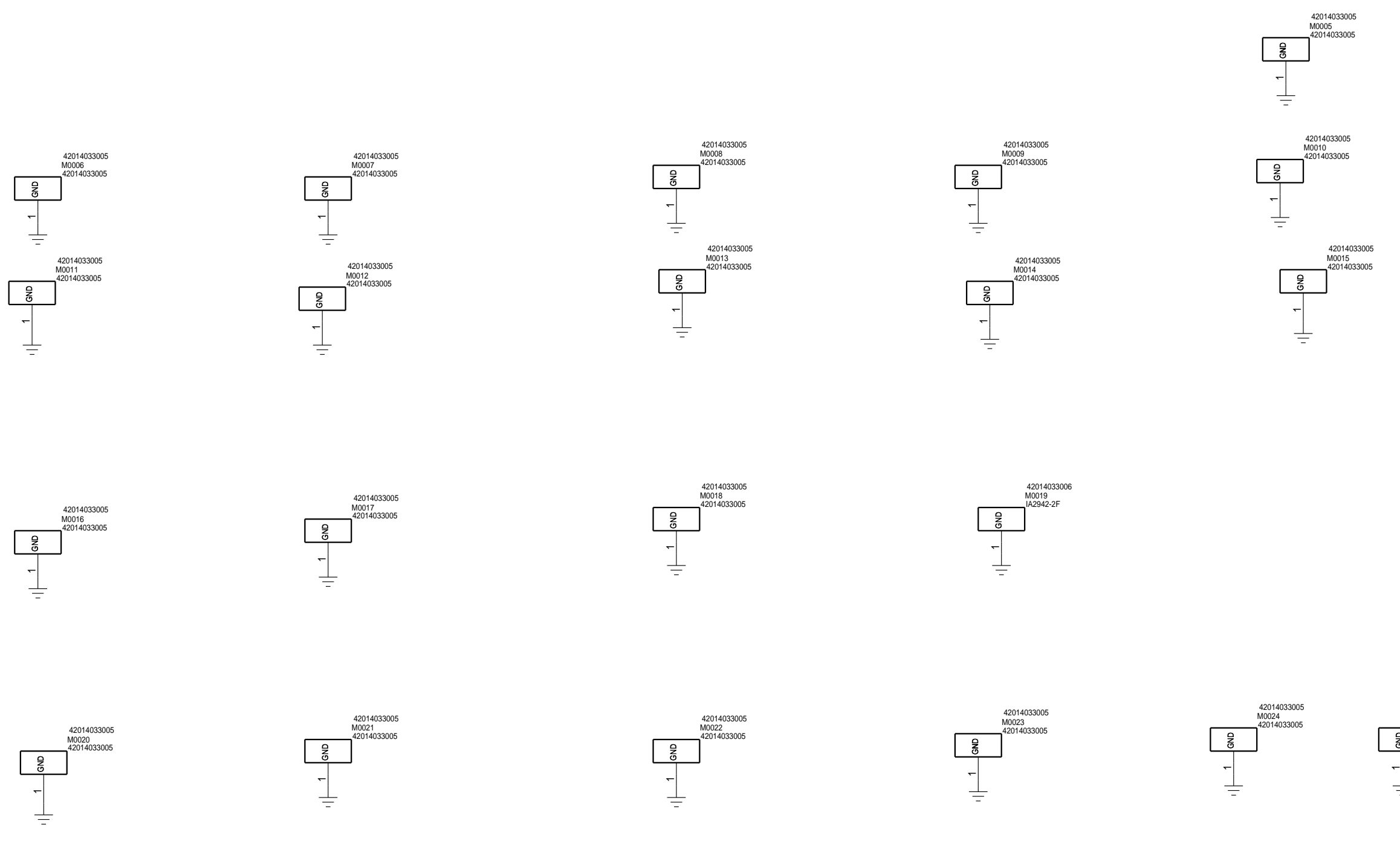
DNP MATCH FOR:
PCB1-AMERICAS
PCB1-EU

MOTOROLA MOBILITY CONFIDENTIAL RESTRICTED-MDB TRACKED TRACKEDANDBLOCKED

APPROVALS	
ENGINEER:	
LAST MODIFIED BY:	Mon Jun 24 11:24:49 2013
MOTOROLA CONFIDENTIAL RESTRICTED	
THE DRAWING ON THIS PRINT AND INFORMATION THEREWITH ARE PROPRIETARY TO MOTOROLA AND SHALL NOT BE USED OR DISCUSSED IN WHOLE OR IN PART WITHOUT MOTOROLA'S CONSENT.	
© COPYRIGHT, MOTOROLA. THIS DOES NOT IMPLY PUBLICATION	

MOTOROLA MOBILE DEVICES	
BLOCK TITLE: block_rfe	
PROJECT NAME: B xfon.cpm	REV: 01
CAD FILE NAME:	
PAGE 36 OF 37	

REVISIONS				
REV	ECN	DESCRIPTION	MADE BY	APPROVED



MOTOROLA MOBILITY CONFIDENTIAL RESTRICTED-MDB TRACKED TRACKEDANDBLOCKED

DRAWING NUMBER: 84		LAST MODIFIED: Mon Jun 24 11:24:50 2013	
DRAWN BY:	DATE:		
LEAD ENGINEER:	DATE:		
ASSY NUMBER:	PCB FILE NAME:	REV 01	SIZE B
PAGE 37 OF 37			