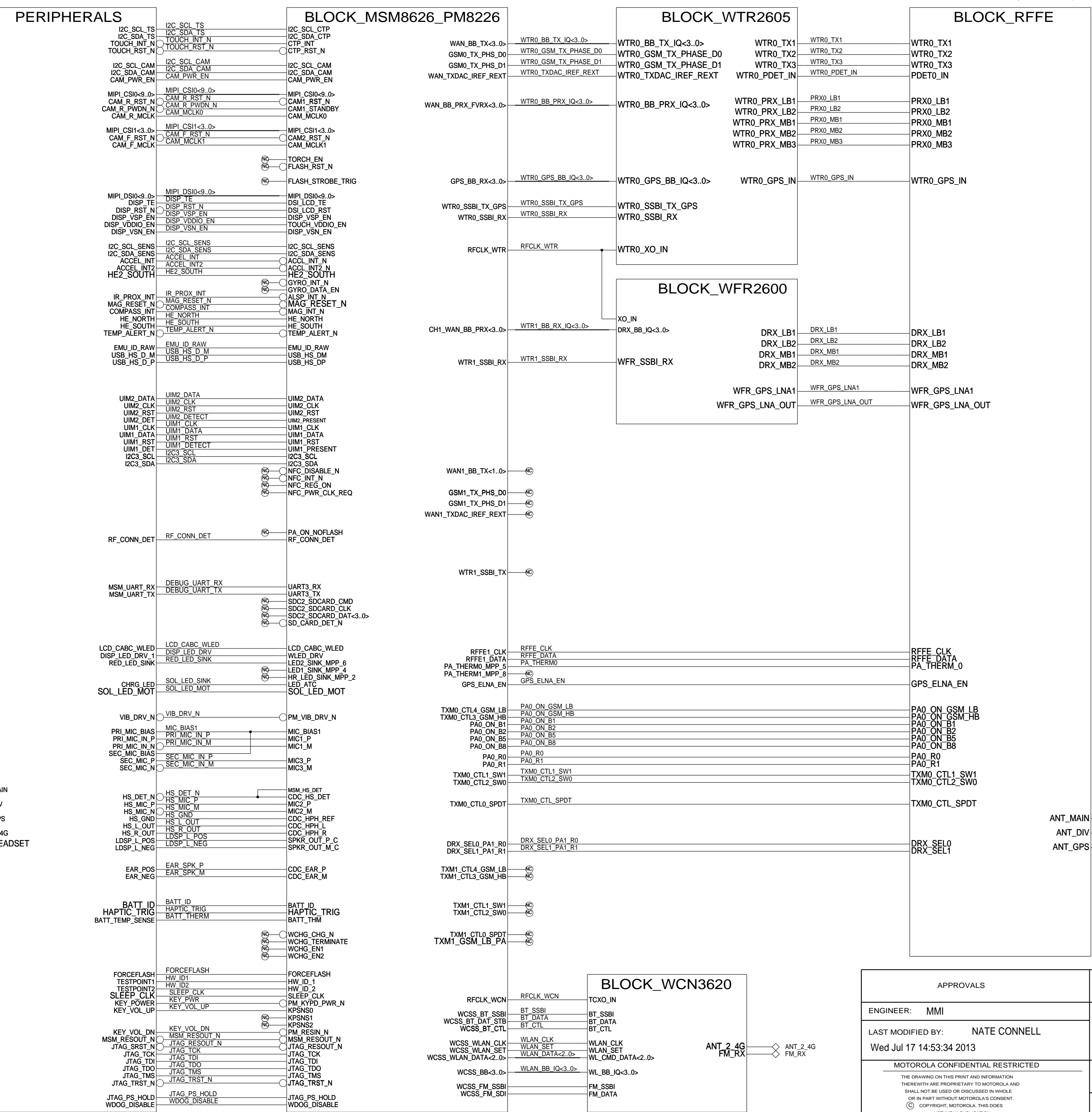


| REVISIONS | | | |
|-----------|-----|-------------|------|
| ZONE | LTR | DESCRIPTION | DATE |
| | | | |

FALCON

MSM8626

03-01-2013



| APPROVALS | |
|----------------------------------|--------------|
| ENGINEER: | MMI |
| LAST MODIFIED BY: | NATE CONNELL |
| Wed Jul 17 14:53:34 2013 | |
| MOTOROLA CONFIDENTIAL RESTRICTED | |

| MOTOROLA MOBILE DEVICES | |
|--------------------------------------|--------------|
| BLOCK TITLE: 8226_ref_dsda | |
| PROJECT NAME 8226_ref_dsda.cpm | REV 01 |
| CAD FILE NAME: | PAGE 1 of 37 |

8 7 6 5 4 3 2 1

FALCON
MSM8626
03-01-2013

PERIPHERALS

BLOCK_MSM8626_PM8226

BLOCK_WTR2605

BLOCK_WFR2600

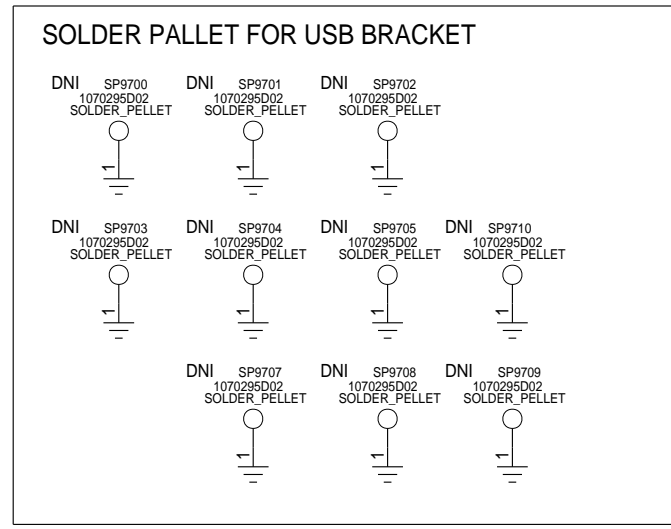
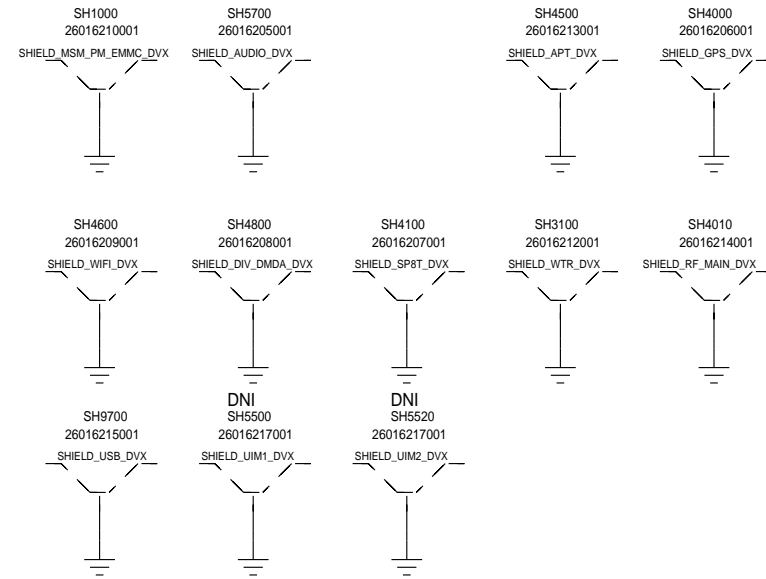
BLOCK_WCN3620

BLOCK_RFFE

ANT_MAIN
ANT_DRX
ANT_GPS
ANT_2_4G
FM_RX

ANT_MAIN
ANT_DIV
ANT_GPS

DVX ME/SHIELDS

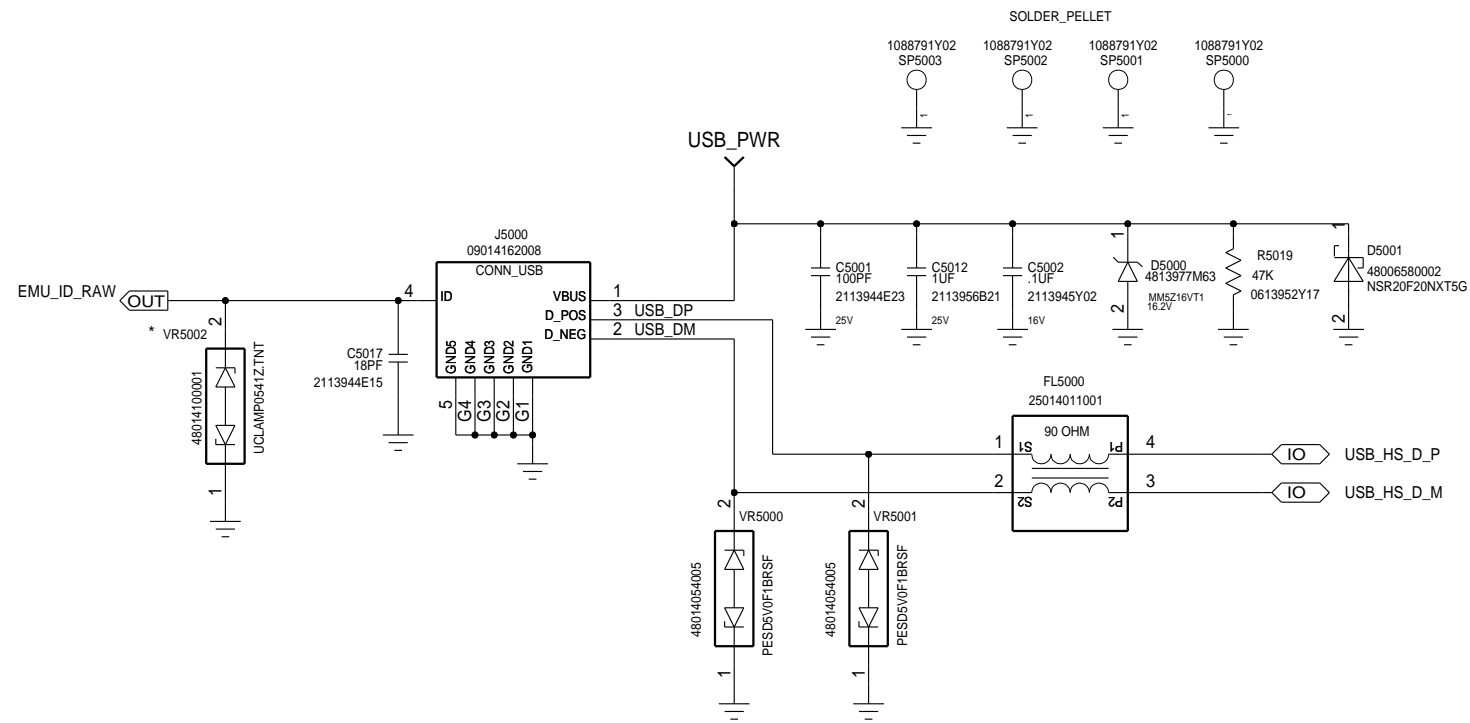


| | | | |
|---|--|-------------------------------------|-----------|
| APPROVALS | | MOTOROLA MOBILE DEVICES | |
| ENGINEER: | | BLOCK TITLE: | |
| LAST MODIFIED BY: | | 8226_ref_dsda | |
| MOTOROLA CONFIDENTIAL RESTRICTED <small>THE DRAWING ON THIS PRINT AND INFORMATION THEREWITH ARE PROPRIETARY TO MOTOROLA AND SHALL NOT BE USED OR DISCUSSED IN WHOLE OR IN PART WITHOUT MOTOROLA'S CONSENT. © COPYRIGHT, MOTOROLA. THIS DOES NOT IMPLY PUBLICATION</small> | | PROJECT NAME B 8226_ref_dsda.cpm | REV 01 |
| | | CAD FILE NAME: | |
| | | PAGE 2 OF 37 | |

POWER

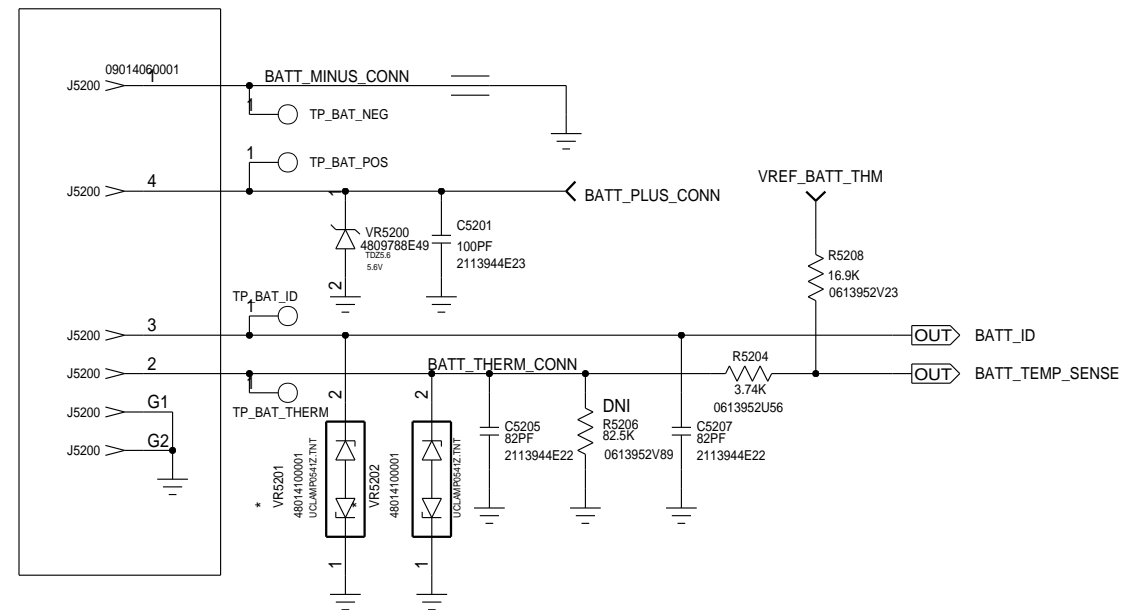
REF:5000 - 5099

MICRO USB



BATTERY BLOCK

REF:5200 - 5249

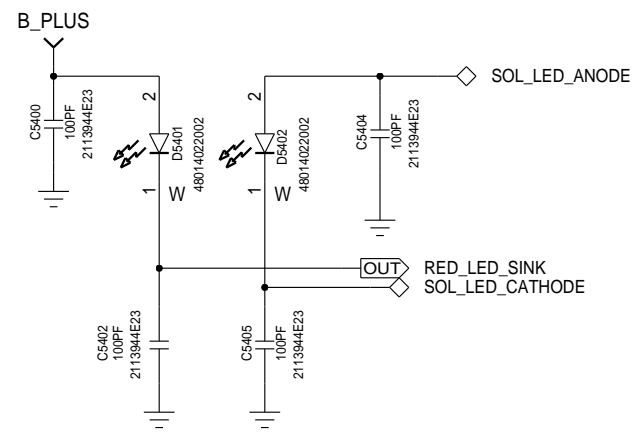


| | | | |
|--|--|---------------------------------------|-----|
| APPROVALS | | MOTOROLA MOBILE DEVICES | |
| ENGINEER: RICH NG | | BLOCK TITLE: | |
| LAST MODIFIED BY: NATE CONNELL Fri Aug 30 15:05:22 2013 | | peripherals | |
| MOTOROLA CONFIDENTIAL RESTRICTED <small>THE DRAWING ON THIS PRINT AND INFORMATION THEREWITH ARE PROPRIETARY TO MOTOROLA AND SHALL NOT BE USED OR DISCUSSED IN WHOLE OR IN PART WITHOUT MOTOROLA'S CONSENT. © COPYRIGHT, MOTOROLA. THIS DOES NOT IMPLY PUBLICATION</small> | | PROJECT NAME | REV |
| | | B 8226_ref_dsda.cpm | 01 |
| CAD FILE NAME: | | PAGE 3 OF 37 | |

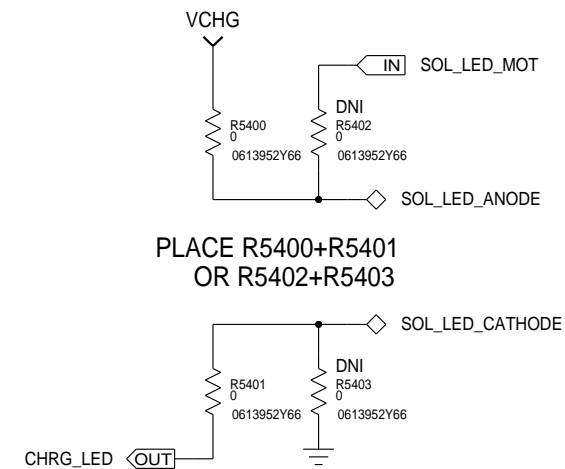
LIGHTING

REF:5400-5419

WHITE NOTIFICATION LED + WHITE SOL LED



SOL LED DRIVE SELECTION



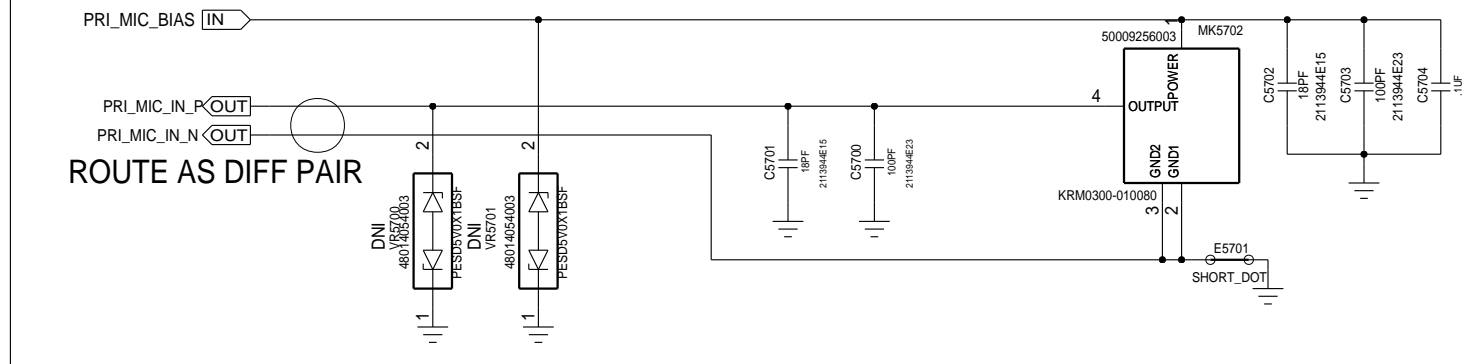
PLACE R5400+R5401
OR R5402+R5403

| | | | |
|---|--|--|------------------|
| APPROVALS | | MOTOROLA MOBILE DEVICES | |
| ENGINEER: | | BLOCK TITLE: | |
| LAST MODIFIED BY: NATE CONNELL Fri Aug 30 15:05:21 2013 | | peripherals | |
| MOTOROLA CONFIDENTIAL RESTRICTED <small>THE DRAWING ON THIS PRINT AND INFORMATION THEREWITH ARE PROPRIETARY TO MOTOROLA AND SHALL NOT BE USED OR DISCUSSED IN WHOLE OR IN PART WITHOUT MOTOROLA'S CONSENT. © COPYRIGHT, MOTOROLA. THIS DOES NOT IMPLY PUBLICATION</small> | | PROJECT NAME B 8226_ref_dsda.cpm | REV 01 |
| | | CAD FILE NAME: | |
| | | PAGE 4 OF 37 | |

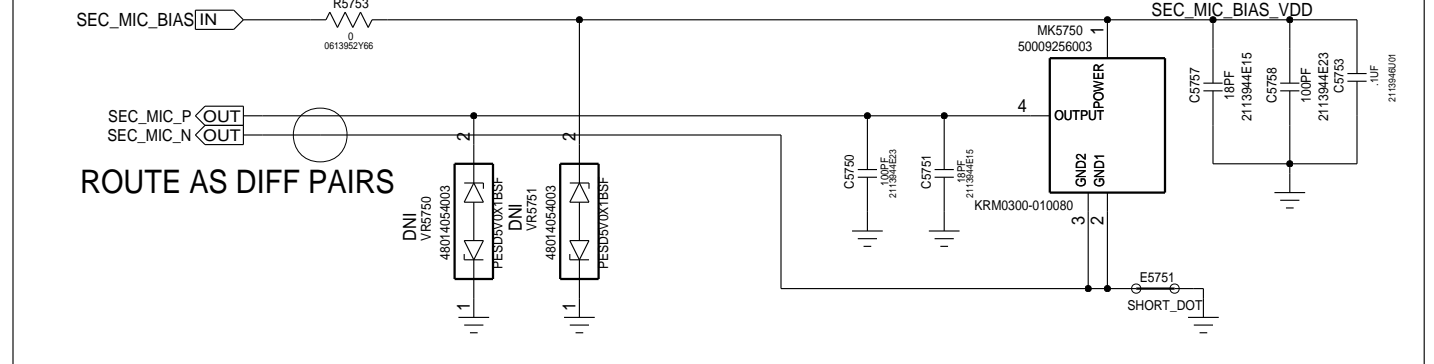
AUDIO

REF: 5700-5799

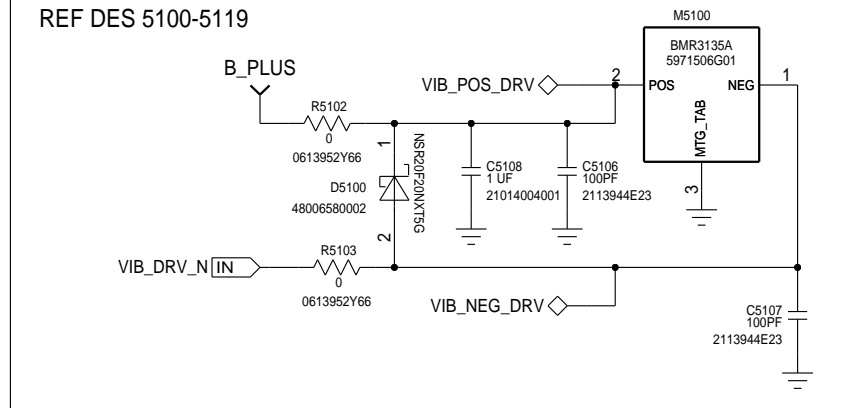
PRIMARY MIC REF: 5700-5709



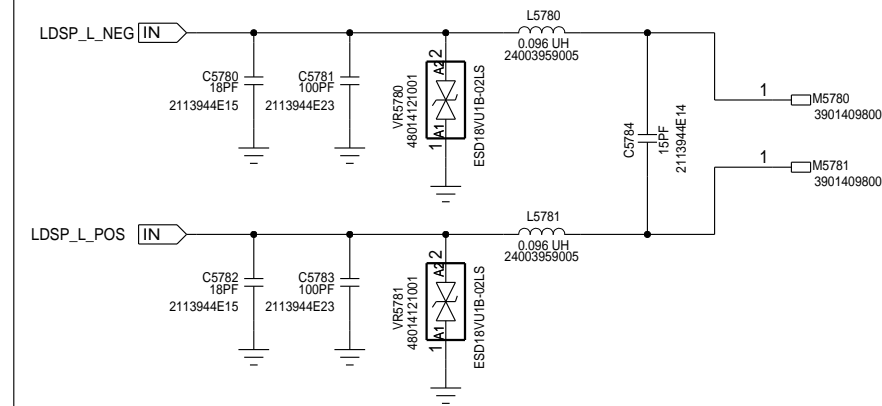
SECONDARY MIC (FLUENCE/ANC NOISE MIC) REF: 5750-5759



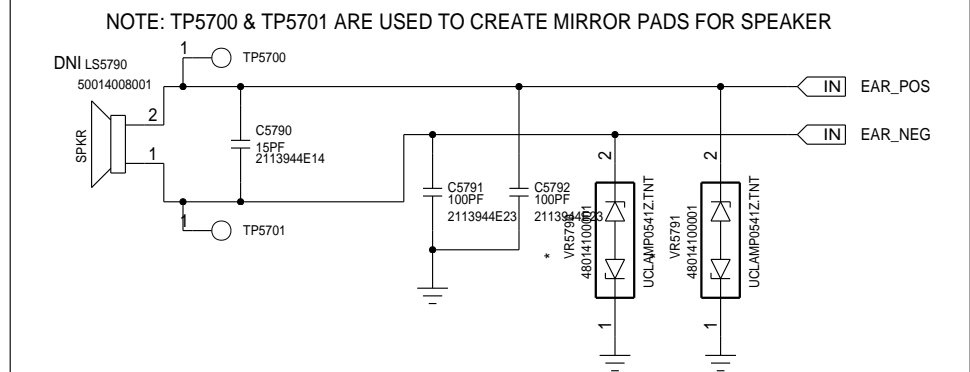
ROTARY VIBRATOR REF DES 5100-5119



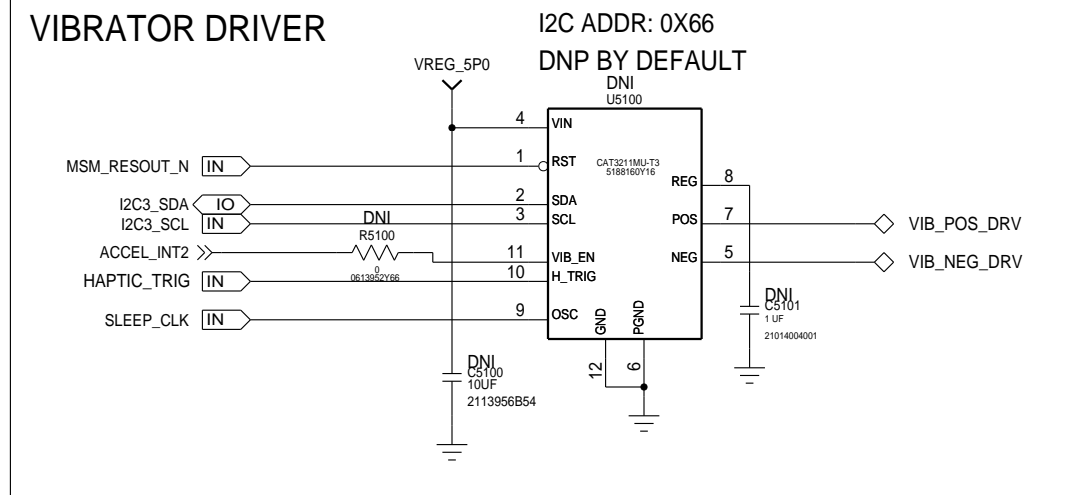
LOUDSPEAKER LEFT (TOP) REF: 5780-5789



EAR PIECE REF: 5790-5799



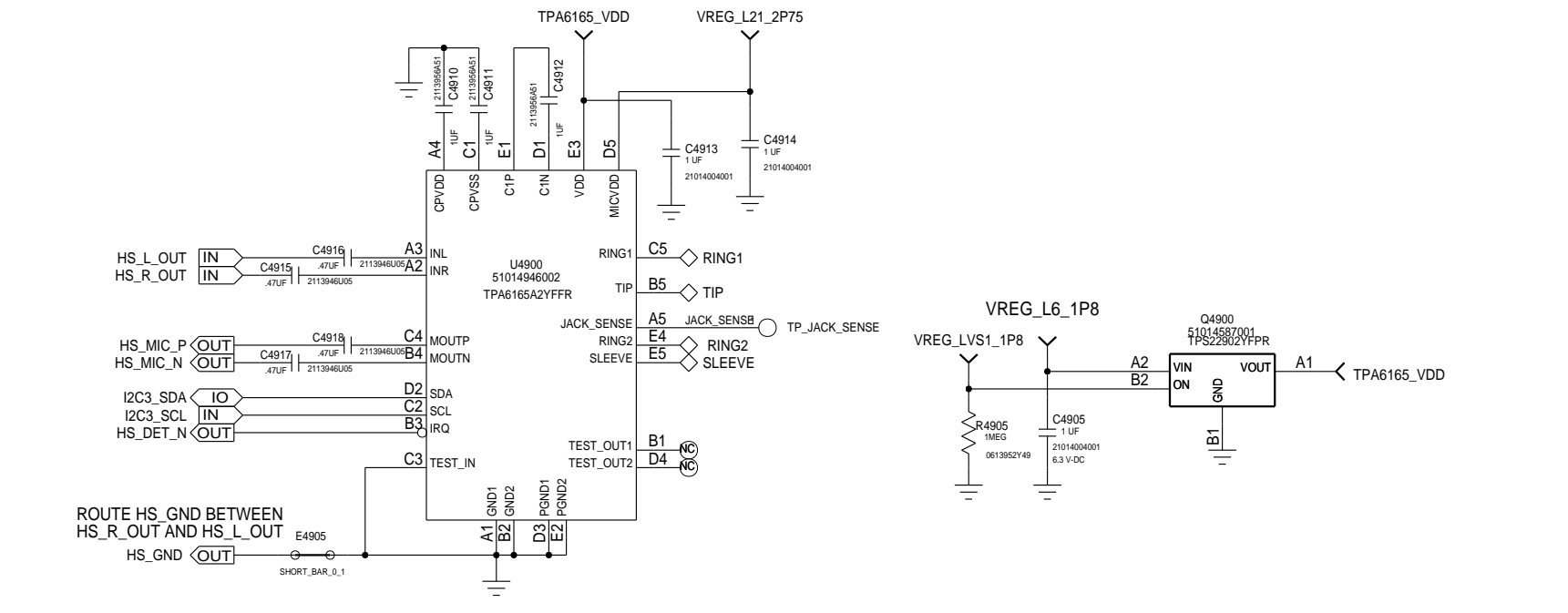
VIBRATOR DRIVER



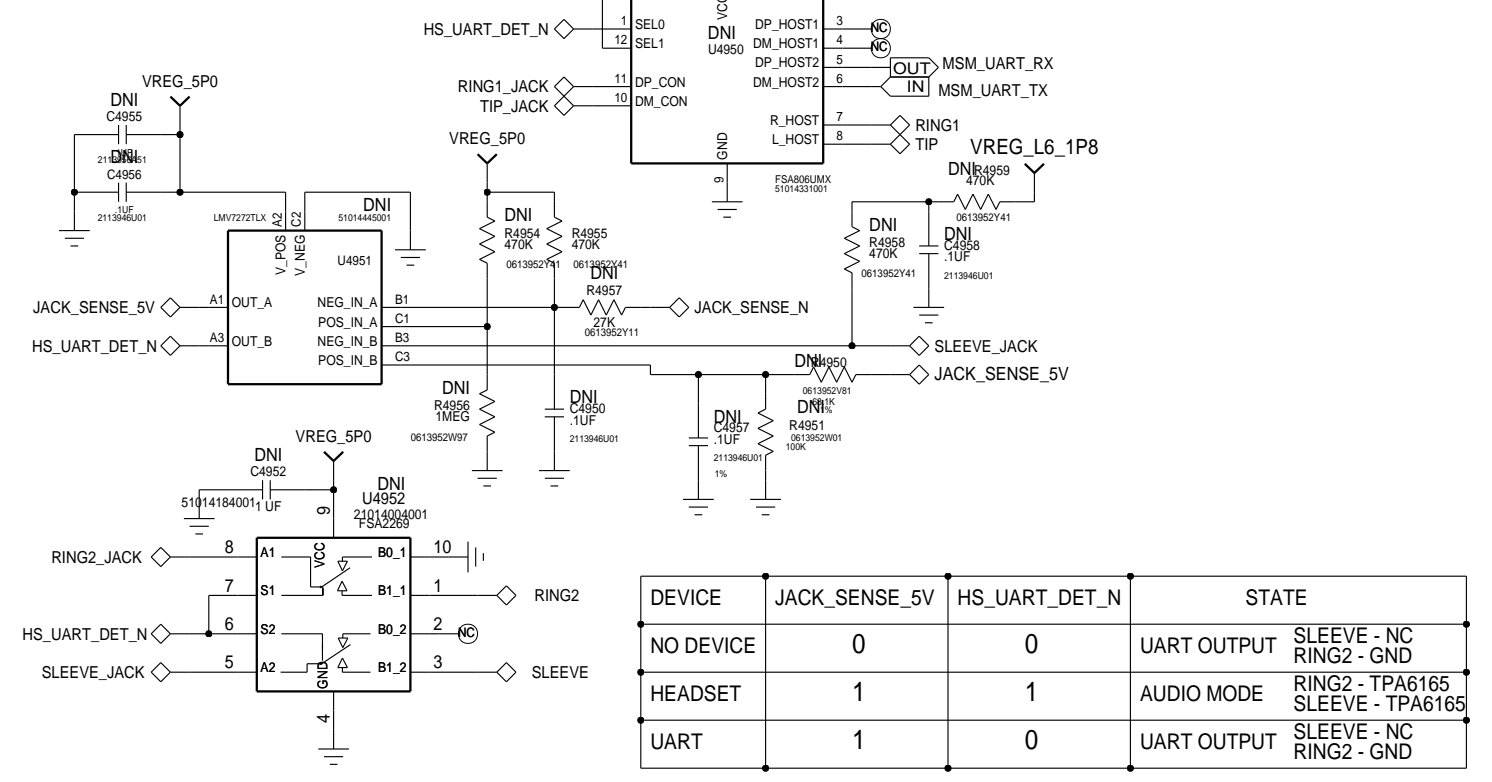
| | | | |
|--|--|------------------------------------|-----------|
| APPROVALS | | MOTOROLA MOBILE DEVICES | |
| ENGINEER: DENNIS BUDNICK | | BLOCK TITLE: peripherals | |
| LAST MODIFIED BY: NATE CONNELL Fri Aug 30 15:05:10 2013 | | PROJECT NAME 8226_ref_dsda.cpm | |
| MOTOROLA CONFIDENTIAL RESTRICTED <small>THE DRAWING ON THIS PRINT AND INFORMATION THEREWITH ARE PROPRIETARY TO MOTOROLA AND SHALL NOT BE USED OR DISCUSSED IN WHOLE OR IN PART WITHOUT MOTOROLA'S CONSENT. © COPYRIGHT, MOTOROLA. THIS DOES NOT IMPLY PUBLICATION</small> | | CAD FILE NAME: | REV 01 |
| | | PAGE 5 OF 37 | |

3.5MM HEADSET

UNIVERSAL HEADSET REF:4900-4949

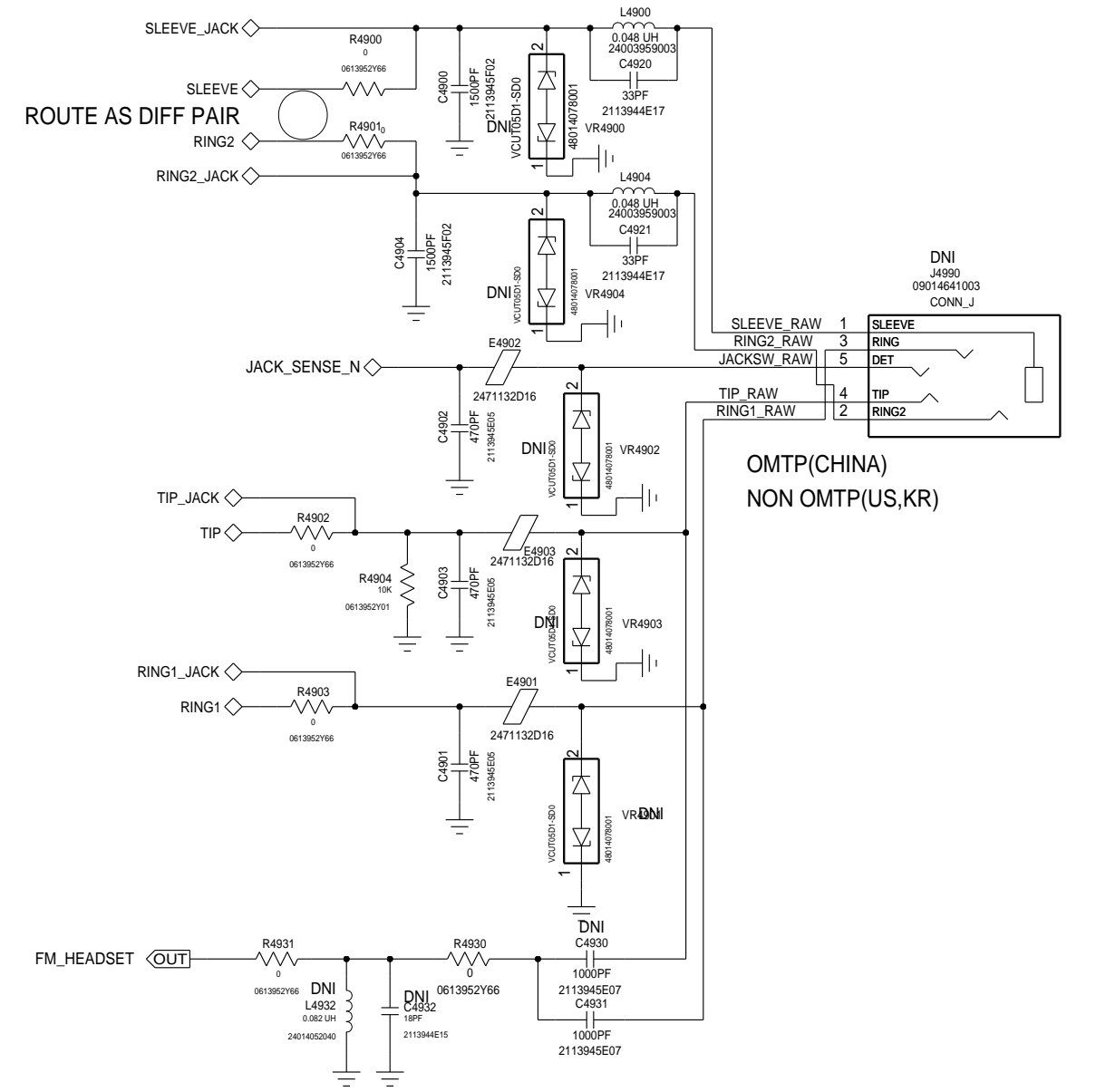


UART OVER HEADSET REF:4950-4999 (DNI FOR PRODUCTION)



| DEVICE | JACK_SENSE_5V | HS_UART_DET_N | STATE |
|-----------|---------------|---------------|---|
| NO DEVICE | 0 | 0 | UART OUTPUT SLEEVE - NC RING2 - GND |
| HEADSET | 1 | 1 | AUDIO MODE RING2 - TPA6165 SLEEVE - TPA6165 |
| UART | 1 | 0 | UART OUTPUT SLEEVE - NC RING2 - GND |

3.5MM HSJ REF:4900-4949



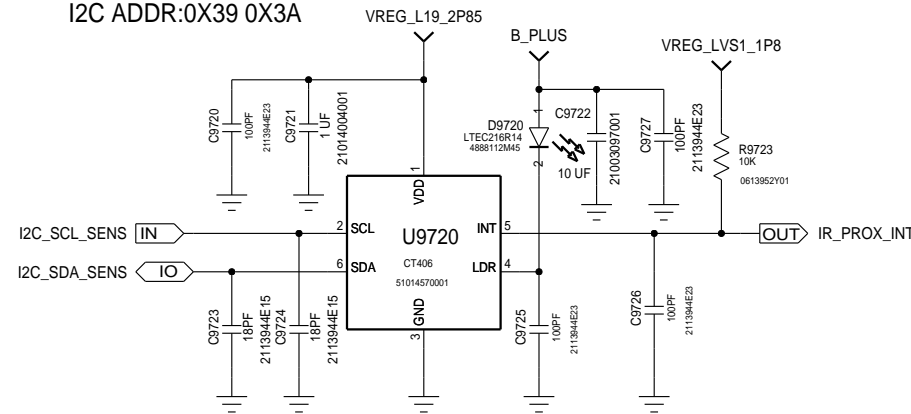
| | | | |
|--|--|-----------------------------------|-----|
| APPROVALS | | MOTOROLA MOBILE DEVICES | |
| ENGINEER: MATT MOTTIER | | BLOCK TITLE: | |
| LAST MODIFIED BY: NATE CONNELL Fri Aug 30 15:05:20 2013 | | peripherals | |
| MOTOROLA CONFIDENTIAL RESTRICTED | | PROJECT NAME | REV |
| THE DRAWING ON THIS PRINT AND INFORMATION THEREWITH ARE PROPRIETARY TO MOTOROLA AND SHALL NOT BE USED OR DISCUSSED IN WHOLE OR IN PART WITHOUT MOTOROLA'S CONSENT. © COPYRIGHT, MOTOROLA. THIS DOES NOT IMPLY PUBLICATION | | B 8226_ref_dsda.cpm | 01 |
| CAD FILE NAME: | | PAGE 6 OF 37 | |

SENSORS

REF:9700-9799

PROX SENSOR/ALS

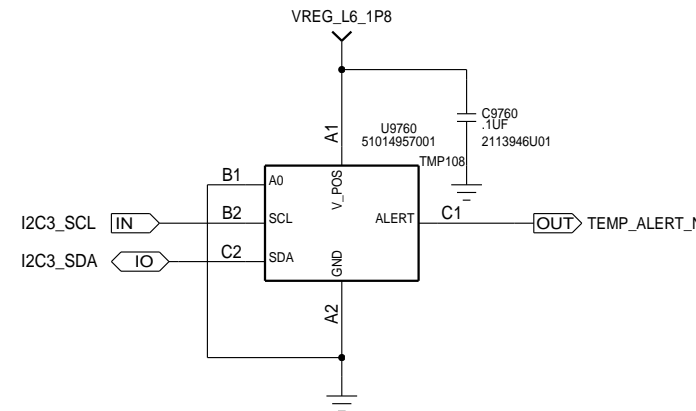
I2C ADDR: 0X39 0X3A



REF:9720-9729

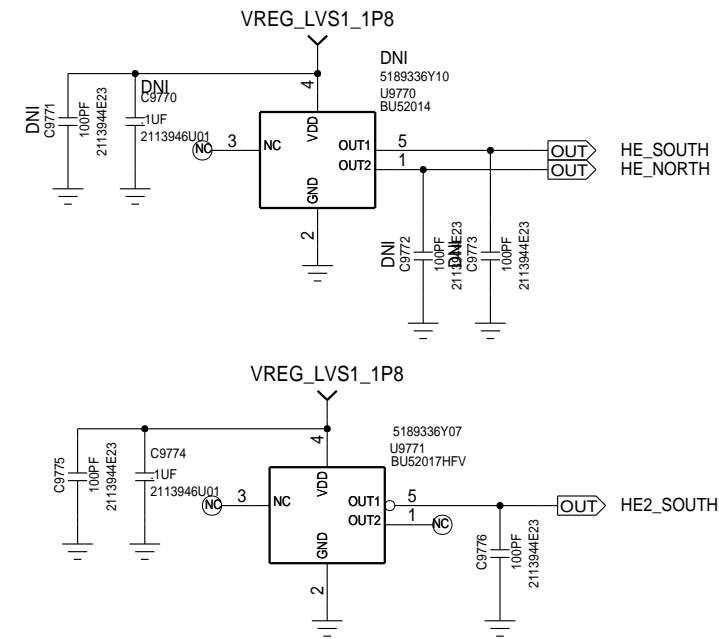
BOARD TEMP SENSOR

I2C ADDR: 0X48



REF:9760-9769

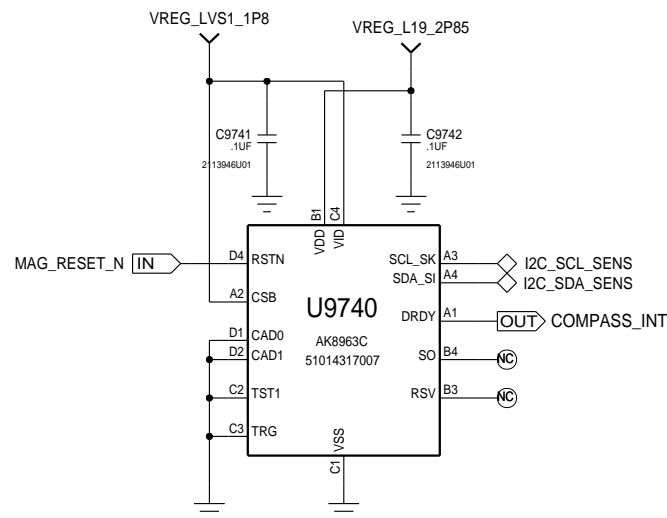
HALL EFFECT



REF:9770-9779

MAGNETOMETER

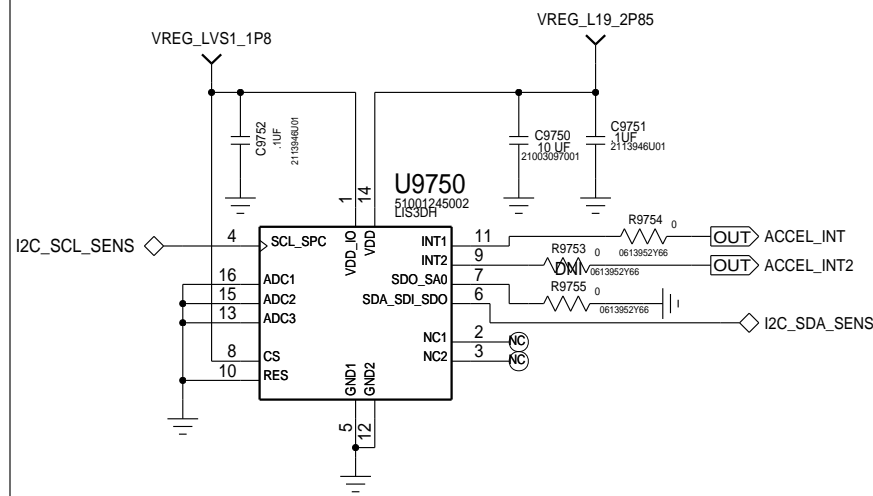
I2C ADDR: 0X0C



REF:9740-9749

ACCELEROMETER

I2C ADDR: 0X18 (ACCEL)



REF:9750-9759

ALL PRODUCTS MUST FOLLOW BIGFOOT PCB ORIENTATION

APPROVALS

ENGINEER: HUNG PHAM

LAST MODIFIED BY: NATE CONNELL
Fri Aug 30 15:05:12 2013

MOTOROLA CONFIDENTIAL RESTRICTED

THE DRAWING ON THIS PRINT AND INFORMATION THEREWITH ARE PROPRIETARY TO MOTOROLA AND SHALL NOT BE USED OR DISCUSSED IN WHOLE OR IN PART WITHOUT MOTOROLA'S CONSENT.
© COPYRIGHT, MOTOROLA. THIS DOES NOT IMPLY PUBLICATION



BLOCK TITLE:

peripherals

PROJECT NAME
B 8226_ref_dsda.cpm

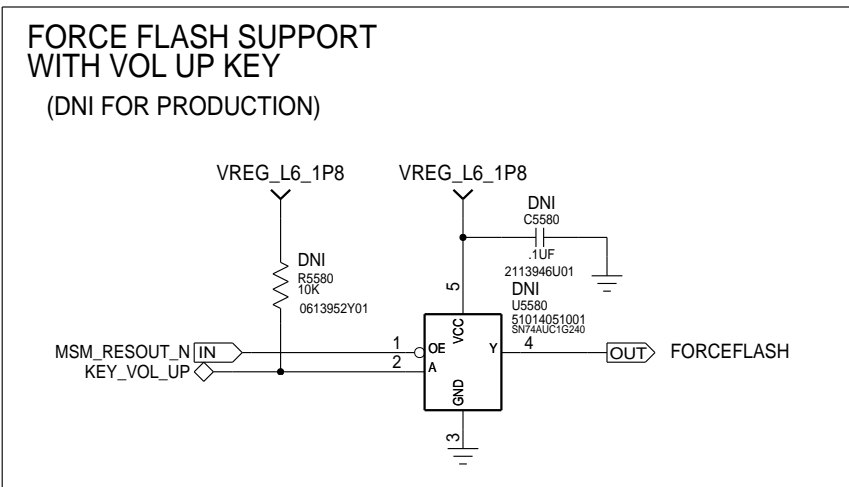
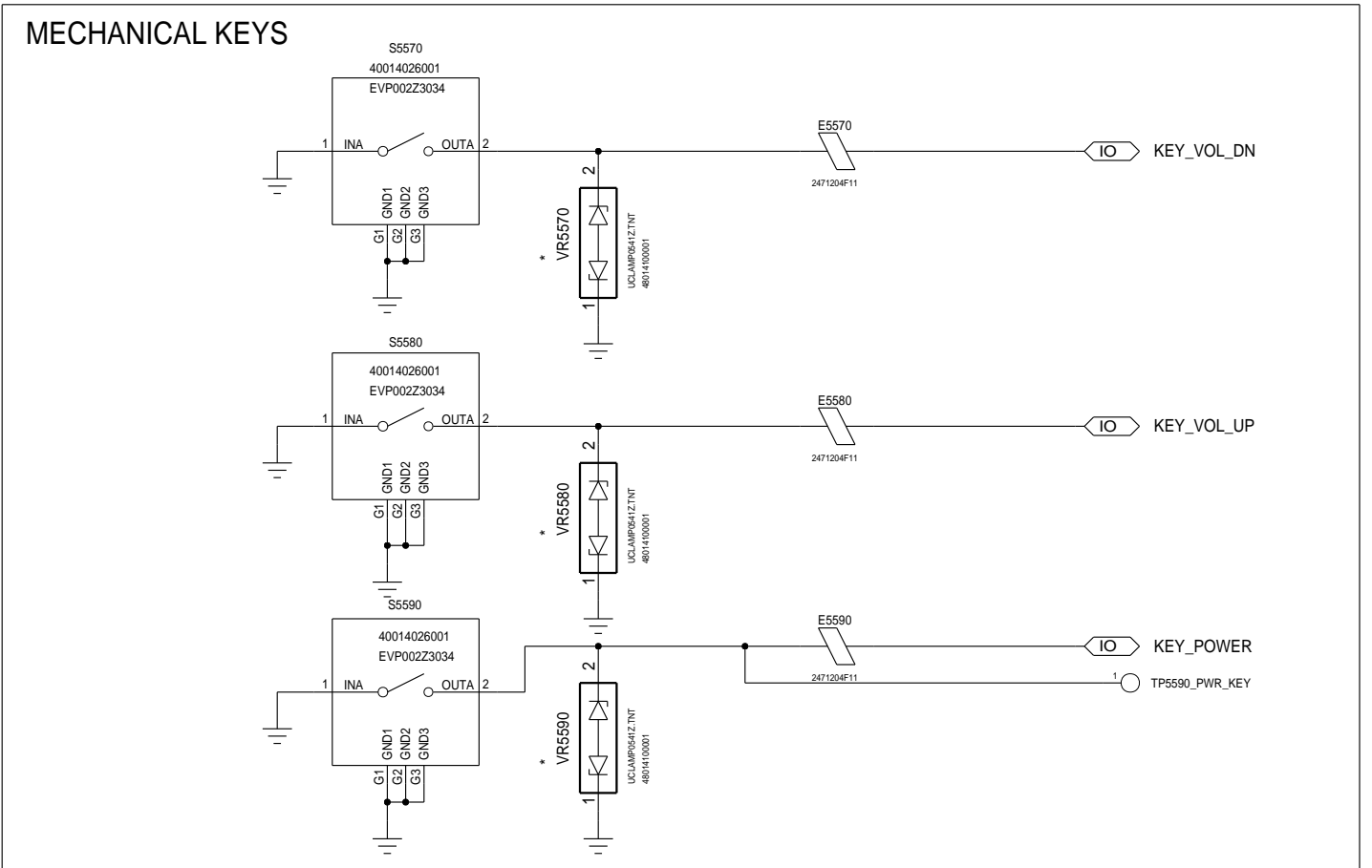
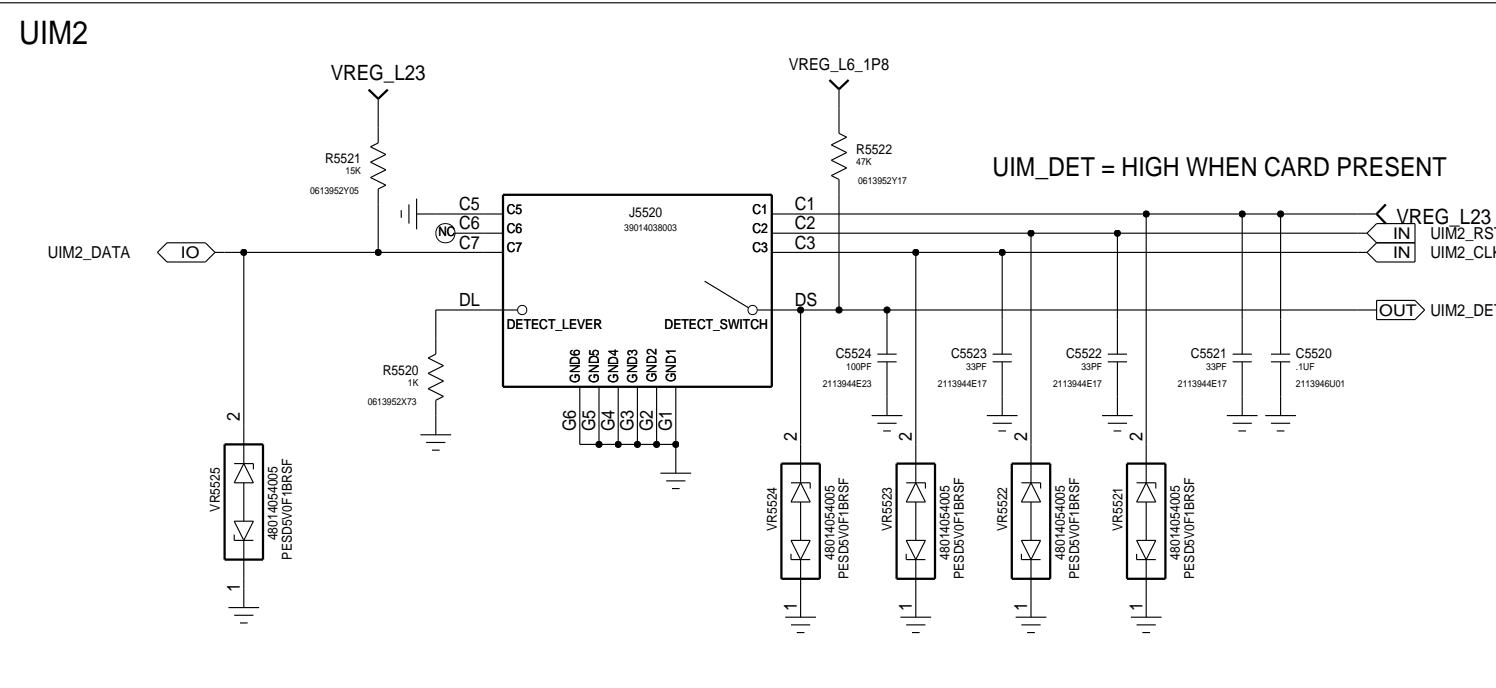
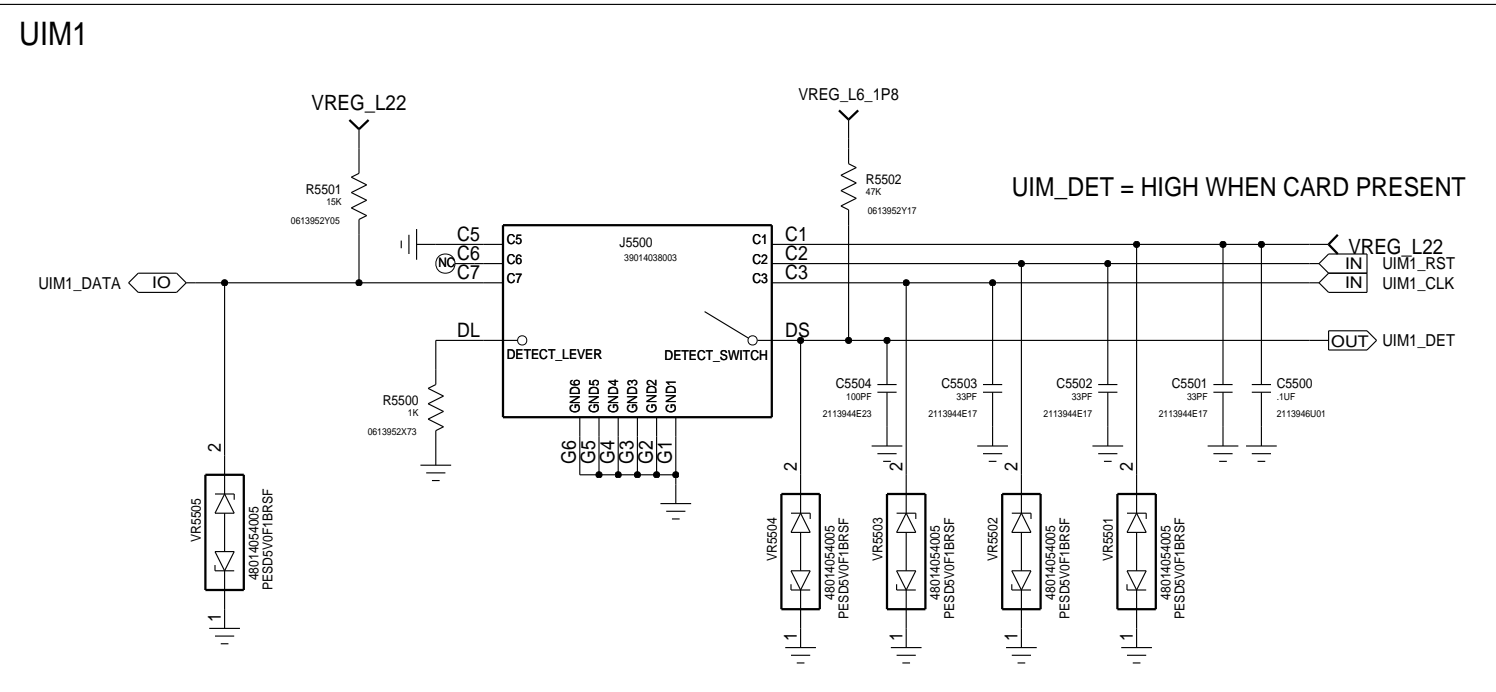
REV
01

CAD FILE NAME:

PAGE 7 OF 87

SIM AND SIDEKEYS

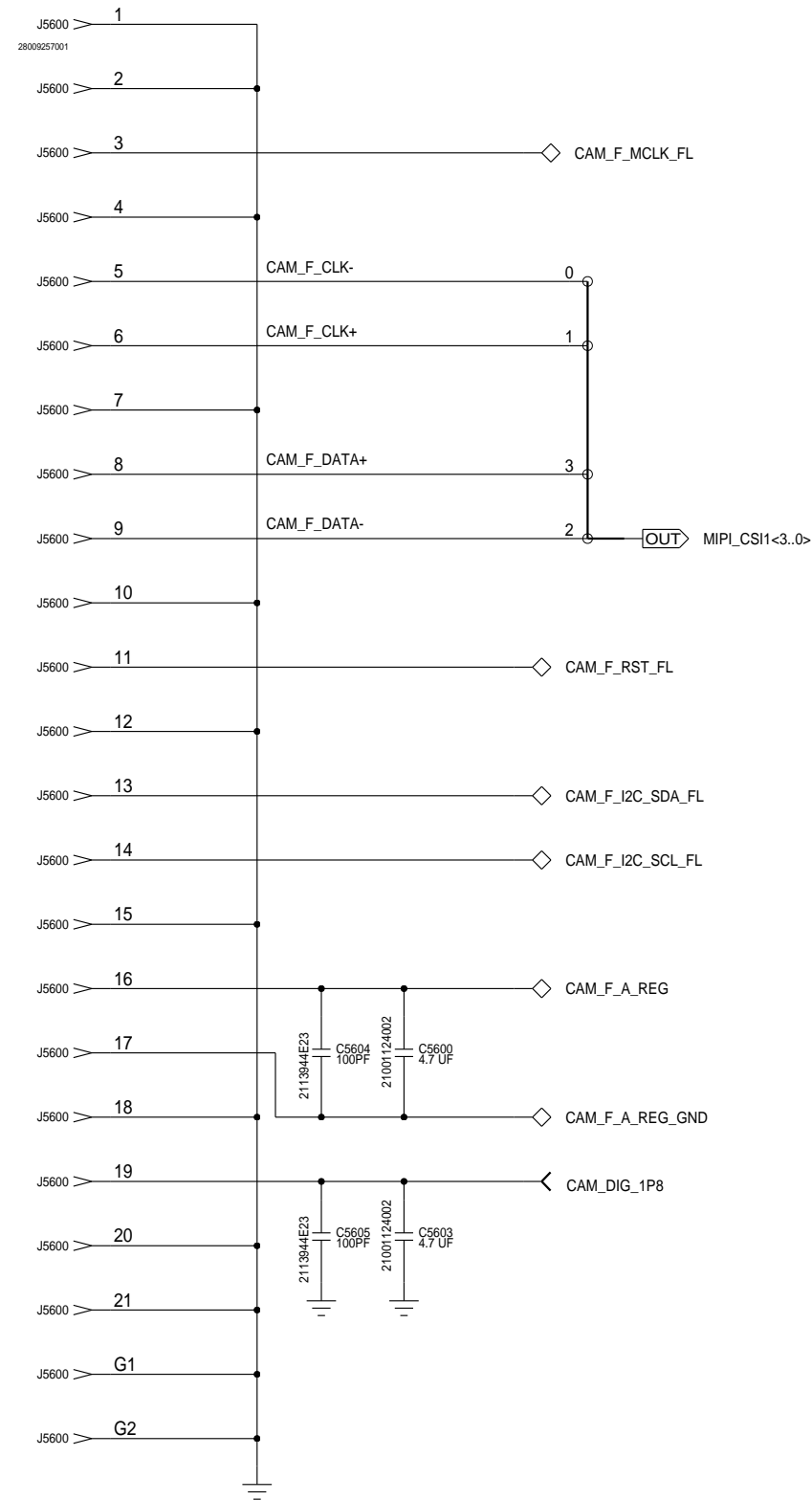
REF:5500-5599



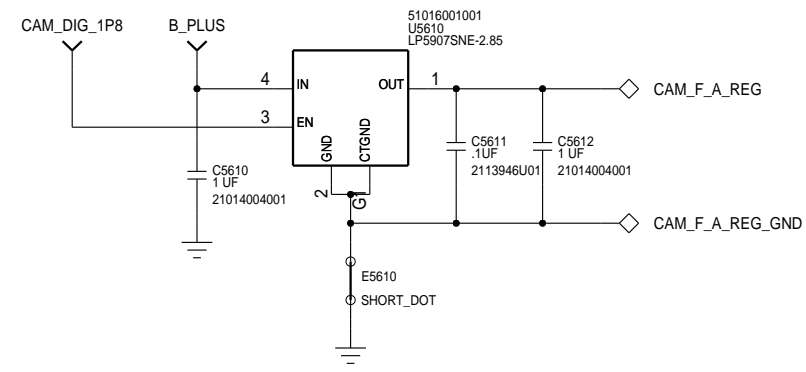
| | | | |
|--|--|--|------------------|
| APPROVALS | | MOTOROLA MOBILE DEVICES | |
| ENGINEER: | | BLOCK TITLE: | |
| LAST MODIFIED BY: Fri Aug 30 15:05:14 2013 | | peripherals | |
| MOTOROLA CONFIDENTIAL RESTRICTED <small>THE DRAWING ON THIS PRINT AND INFORMATION THEREWITH ARE PROPRIETARY TO MOTOROLA AND SHALL NOT BE USED OR DISCUSSED IN WHOLE OR IN PART WITHOUT MOTOROLA'S CONSENT. © COPYRIGHT, MOTOROLA. THIS DOES NOT IMPLY PUBLICATION</small> | | PROJECT NAME B 8226_ref_dsda.cpm | REV 01 |
| CAD FILE NAME: | | PAGE 8 OF 37 | |

FRONT CAMERA

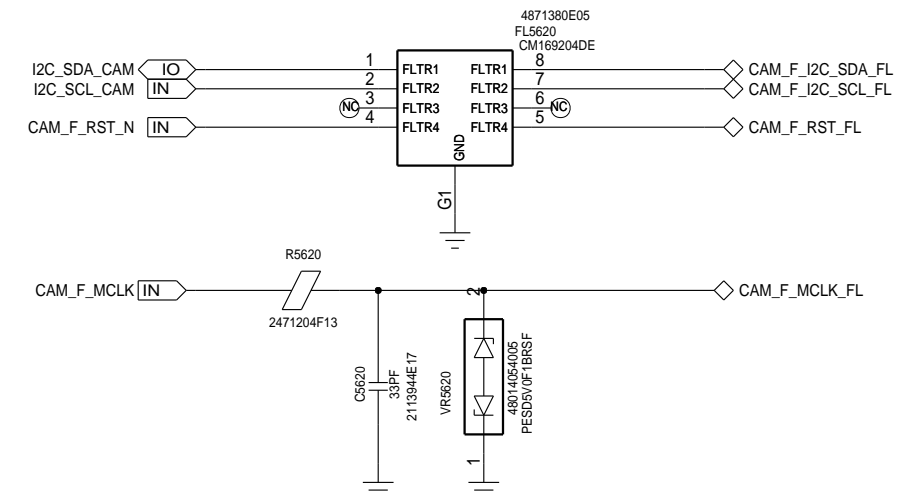
REF 5600-5649



ANALOG LDO



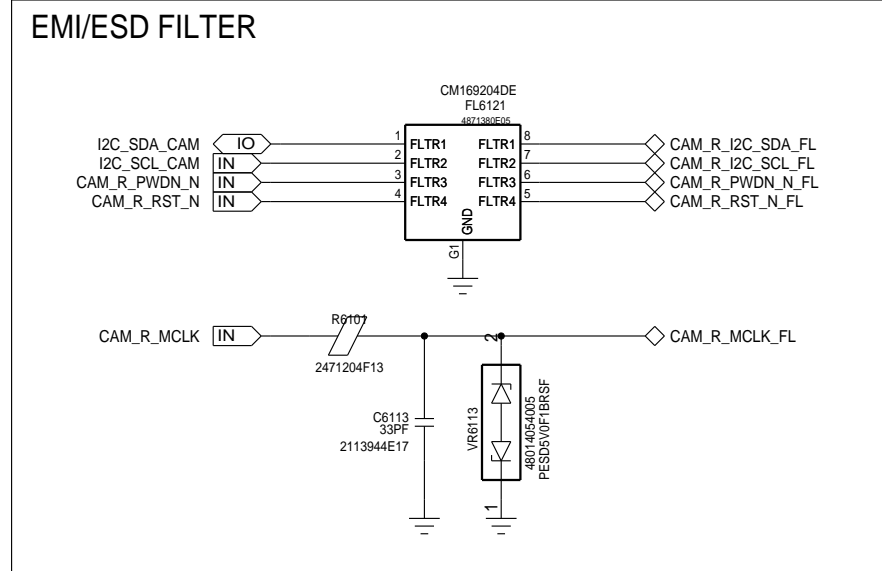
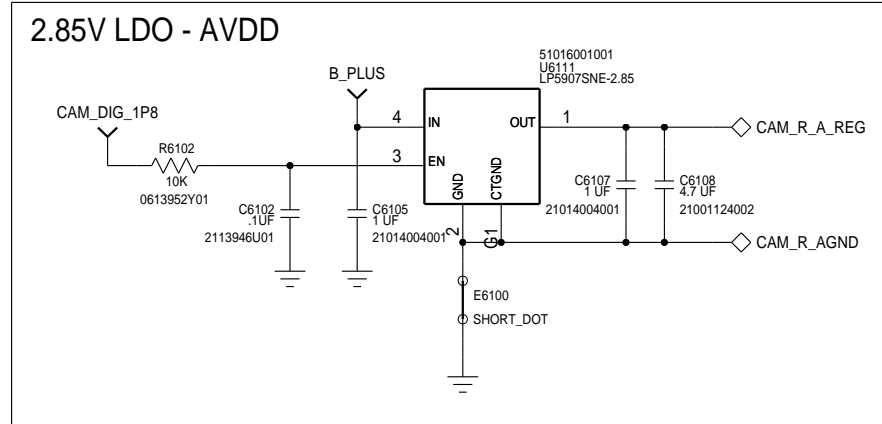
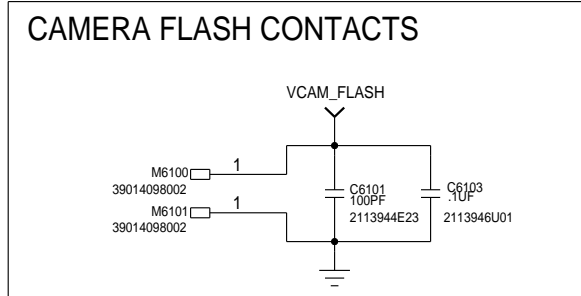
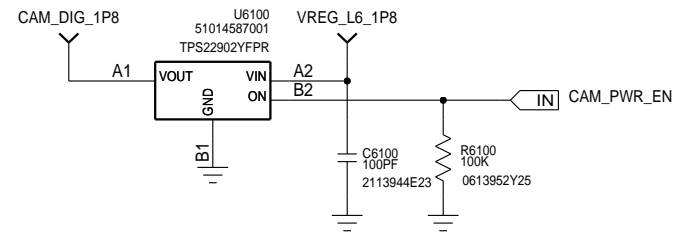
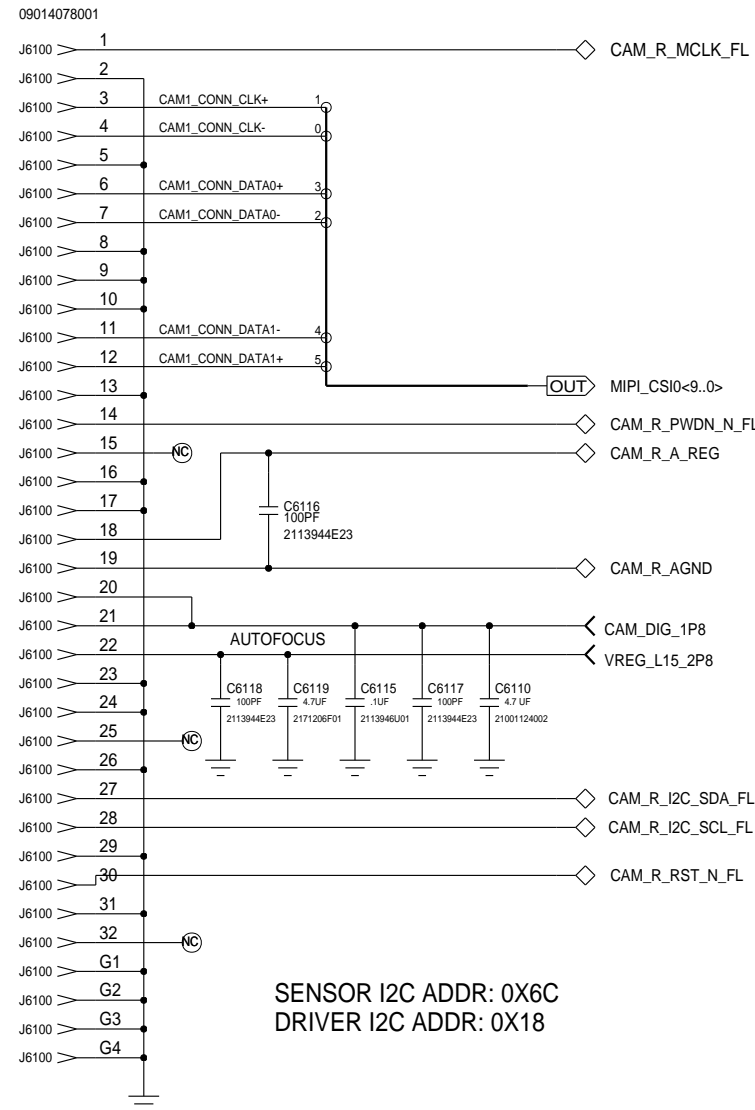
EMI/ESD FILTER



| | | | |
|--|--|--|------------------|
| APPROVALS | | MOTOROLA MOBILE DEVICES | |
| ENGINEER: JOHN KRAMER | | BLOCK TITLE: | |
| LAST MODIFIED BY: NATE CONNELL Fri Aug 30 15:05:23 2013 | | peripherals | |
| MOTOROLA CONFIDENTIAL RESTRICTED <small>THE DRAWING ON THIS PRINT AND INFORMATION THEREWITH ARE PROPRIETARY TO MOTOROLA AND SHALL NOT BE USED OR DISCUSSED IN WHOLE OR IN PART WITHOUT MOTOROLA'S CONSENT. © COPYRIGHT, MOTOROLA. THIS DOES NOT IMPLY PUBLICATION</small> | | PROJECT NAME B 8226_ref_dsda.cpm | REV 01 |
| | | CAD FILE NAME: | |
| | | PAGE 9 OF 37 | |

REAR CAMERA

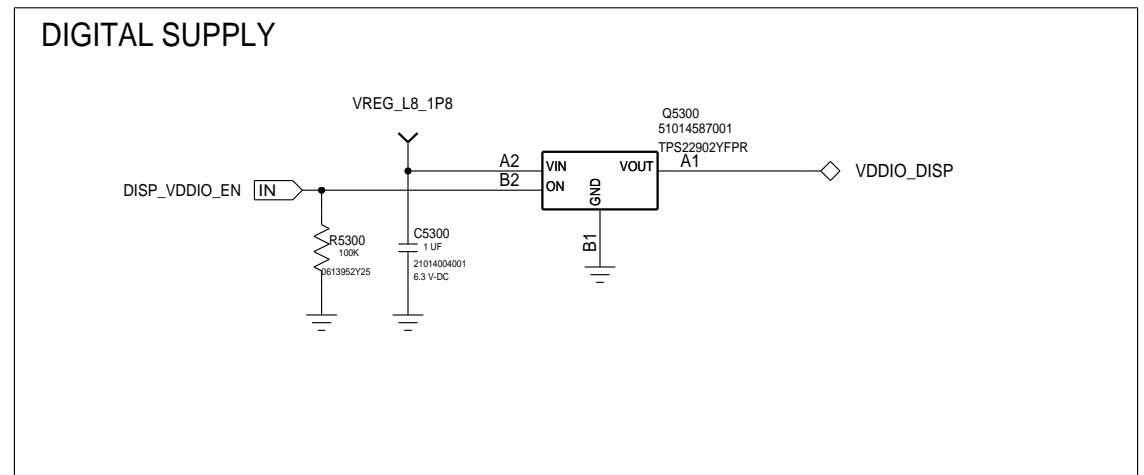
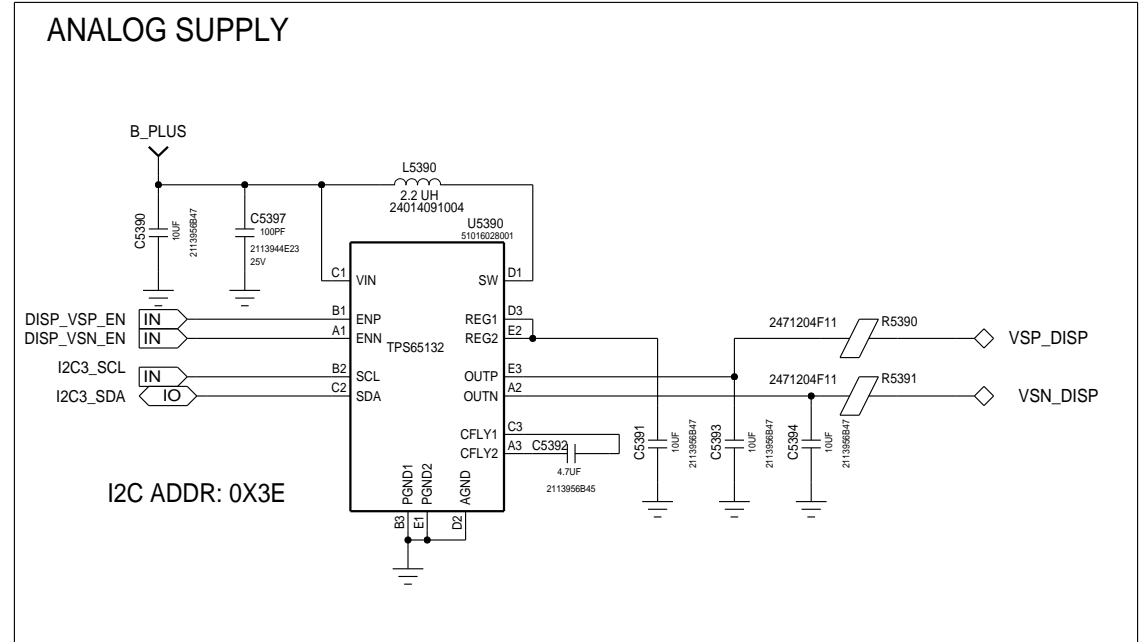
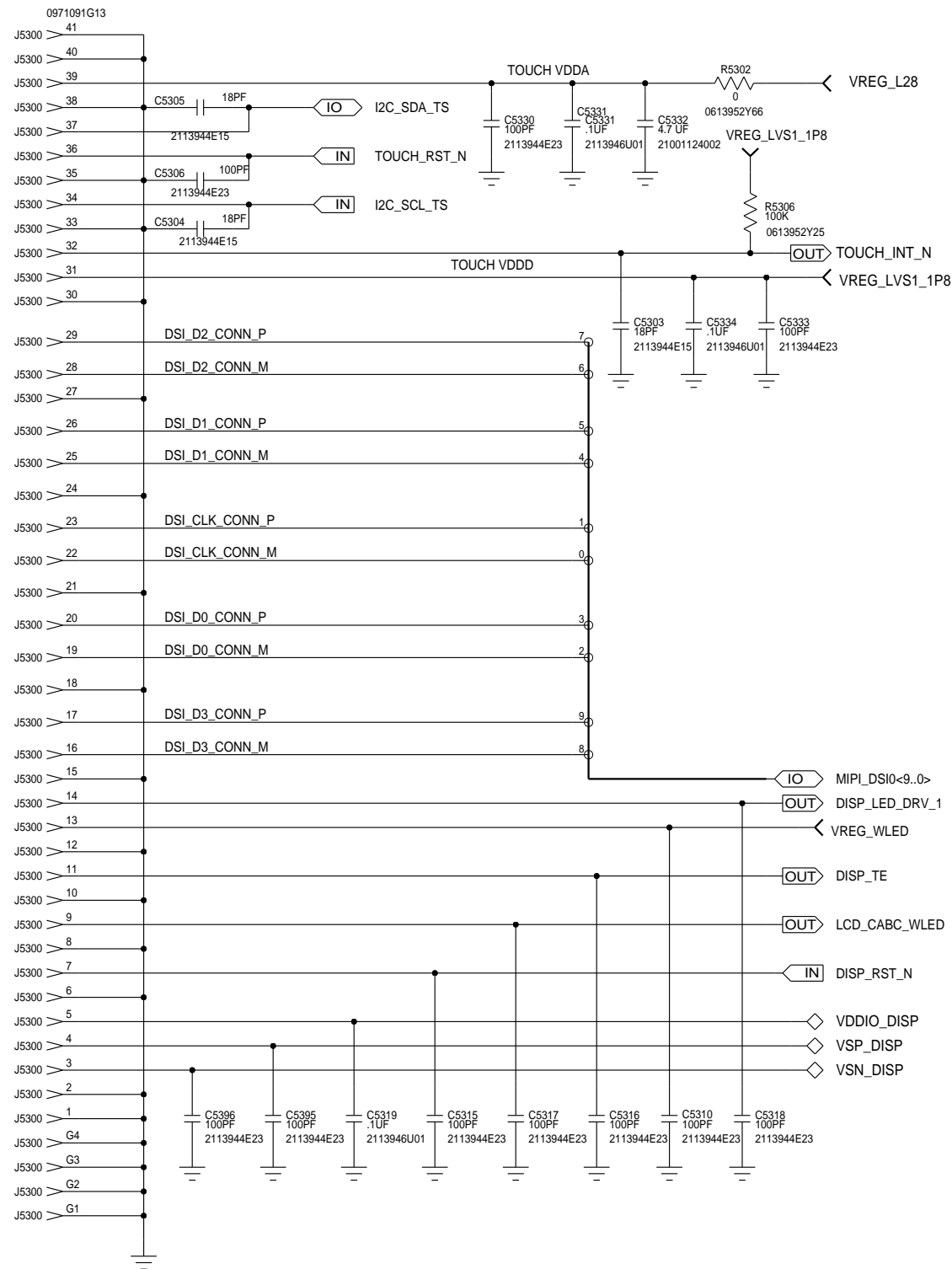
REF:6100-6149



| | | | |
|--|--|--|------------------|
| APPROVALS | | MOTOROLA MOBILE DEVICES | |
| ENGINEER: JOHN KRAMER | | BLOCK TITLE: | |
| LAST MODIFIED BY: NATE CONNELL Fri Aug 30 15:05:18 2013 | | peripherals | |
| MOTOROLA CONFIDENTIAL RESTRICTED <small>THE DRAWING ON THIS PRINT AND INFORMATION THEREWITH ARE PROPRIETARY TO MOTOROLA AND SHALL NOT BE USED OR DISCUSSED IN WHOLE OR IN PART WITHOUT MOTOROLA'S CONSENT. © COPYRIGHT, MOTOROLA. THIS DOES NOT IMPLY PUBLICATION</small> | | PROJECT NAME B 8226_ref_dsda.cpm | REV 01 |
| CAD FILE NAME: | | PAGE 10 OF 37 | |

DISPLAY AND TOUCH

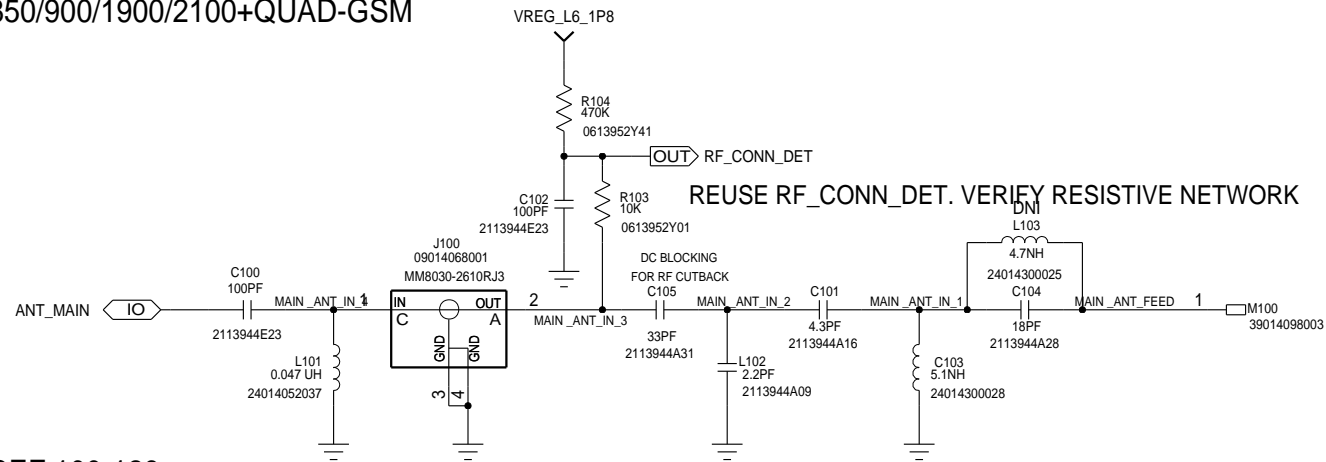
REF 5300-5349



| | | | |
|--|--|--|------------------|
| APPROVALS | | MOTOROLA MOBILE DEVICES | |
| ENGINEER: NATE CONNELL | | BLOCK TITLE: | |
| LAST MODIFIED BY: NATE CONNELL Fri Aug 30 15:05:16 2013 | | peripherals | |
| MOTOROLA CONFIDENTIAL RESTRICTED <small>THE DRAWING ON THIS PRINT AND INFORMATION THEREWITH ARE PROPRIETARY TO MOTOROLA AND SHALL NOT BE USED OR DISCUSSED IN WHOLE OR IN PART WITHOUT MOTOROLA'S CONSENT. © COPYRIGHT, MOTOROLA. THIS DOES NOT IMPLY PUBLICATION</small> | | PROJECT NAME B 8226_ref_dsda.cpm | REV 01 |
| | | CAD FILE NAME: | |
| | | PAGE 11 OF 37 | |

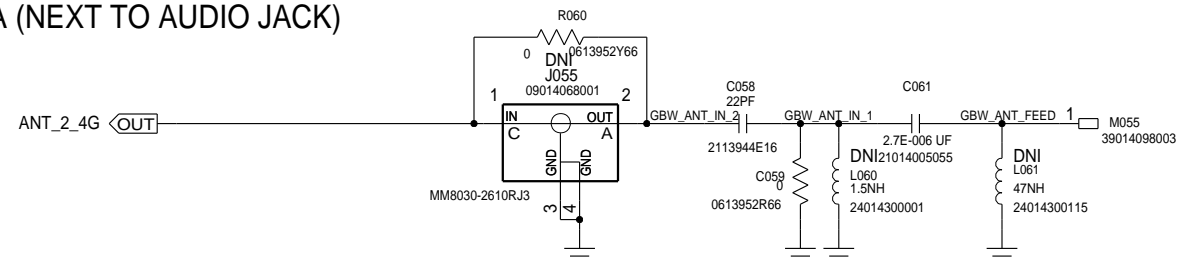
ANTENNAS

MAIN ANTENNA
BOTTOM MAIN ANTENNA
850/900/1900/2100+QUAD-GSM



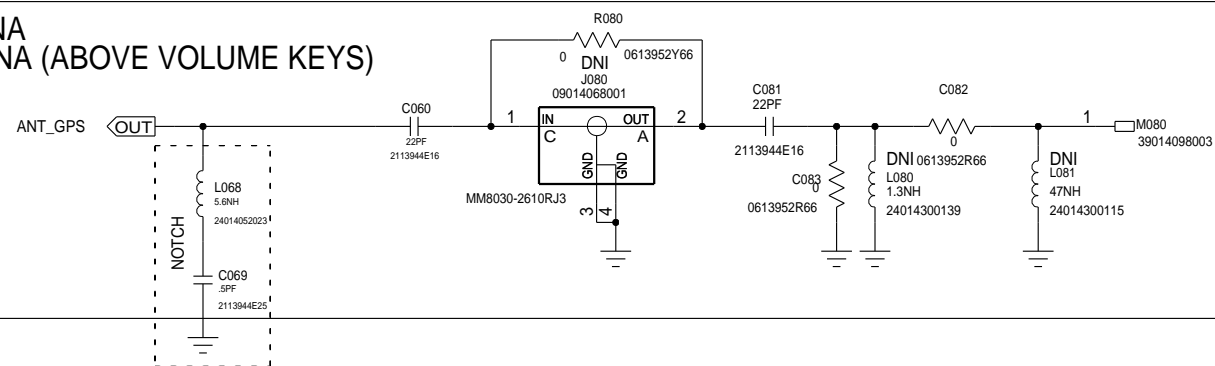
REF:100-129

BT/WLAN ANTENNA
TOP ANTENNA (NEXT TO AUDIO JACK)



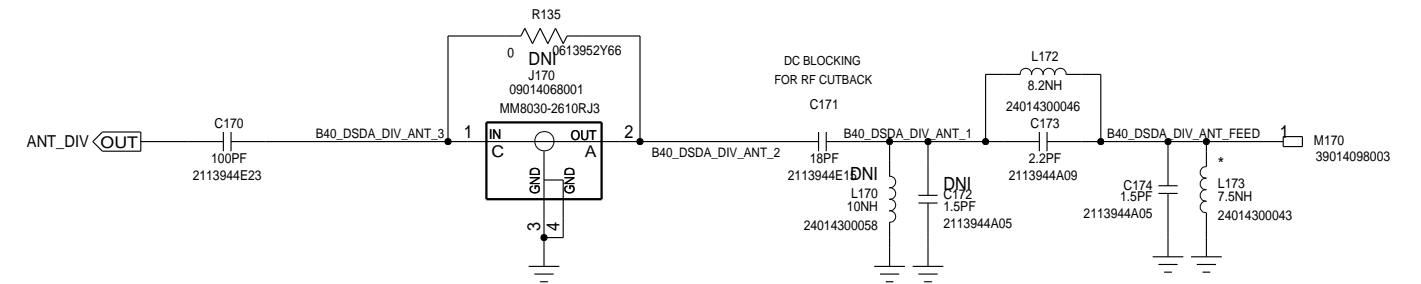
REF: 055-069

GPS ANTENNA
SIDE ANTENNA (ABOVE VOLUME KEYS)



REF: 070-80

CDMA/WCDMA DIVERSITY MIMO RX ANTENNA
B40/DSDA ANTENNA
TOP ANTENNA (BY THE SPEAKER)



REF:130-199

APPROVALS

ENGINEER: MMI

LAST MODIFIED BY: GRAHAM ALVEY
Fri Aug 30 15:05:17 2013

MOTOROLA CONFIDENTIAL RESTRICTED

THE DRAWING ON THIS PRINT AND INFORMATION
THEREWITH ARE PROPRIETARY TO MOTOROLA AND
SHALL NOT BE USED OR DISCUSSED IN WHOLE
OR IN PART WITHOUT MOTOROLA'S CONSENT.
© COPYRIGHT, MOTOROLA. THIS DOES
NOT IMPLY PUBLICATION

MOTOROLA
MOBILE DEVICES

BLOCK TITLE:

peripherals

PROJECT NAME
B 8226_ref_dsda.cpm

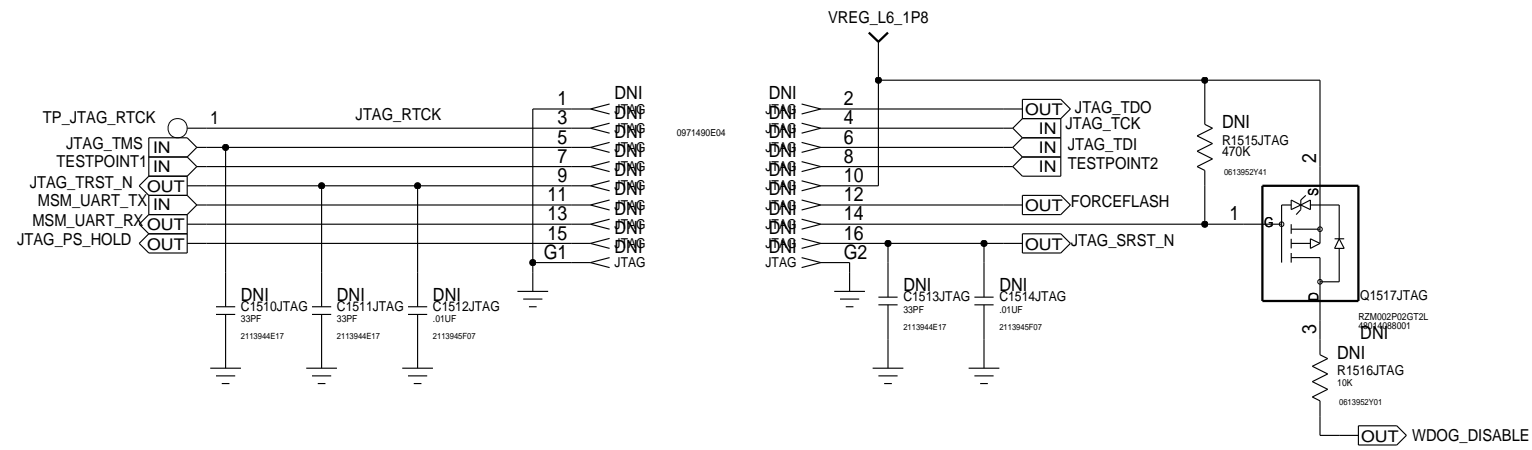
CAD FILE NAME:

REV
01

PAGE 12 OF 37

JTAG

JTAG:MINI



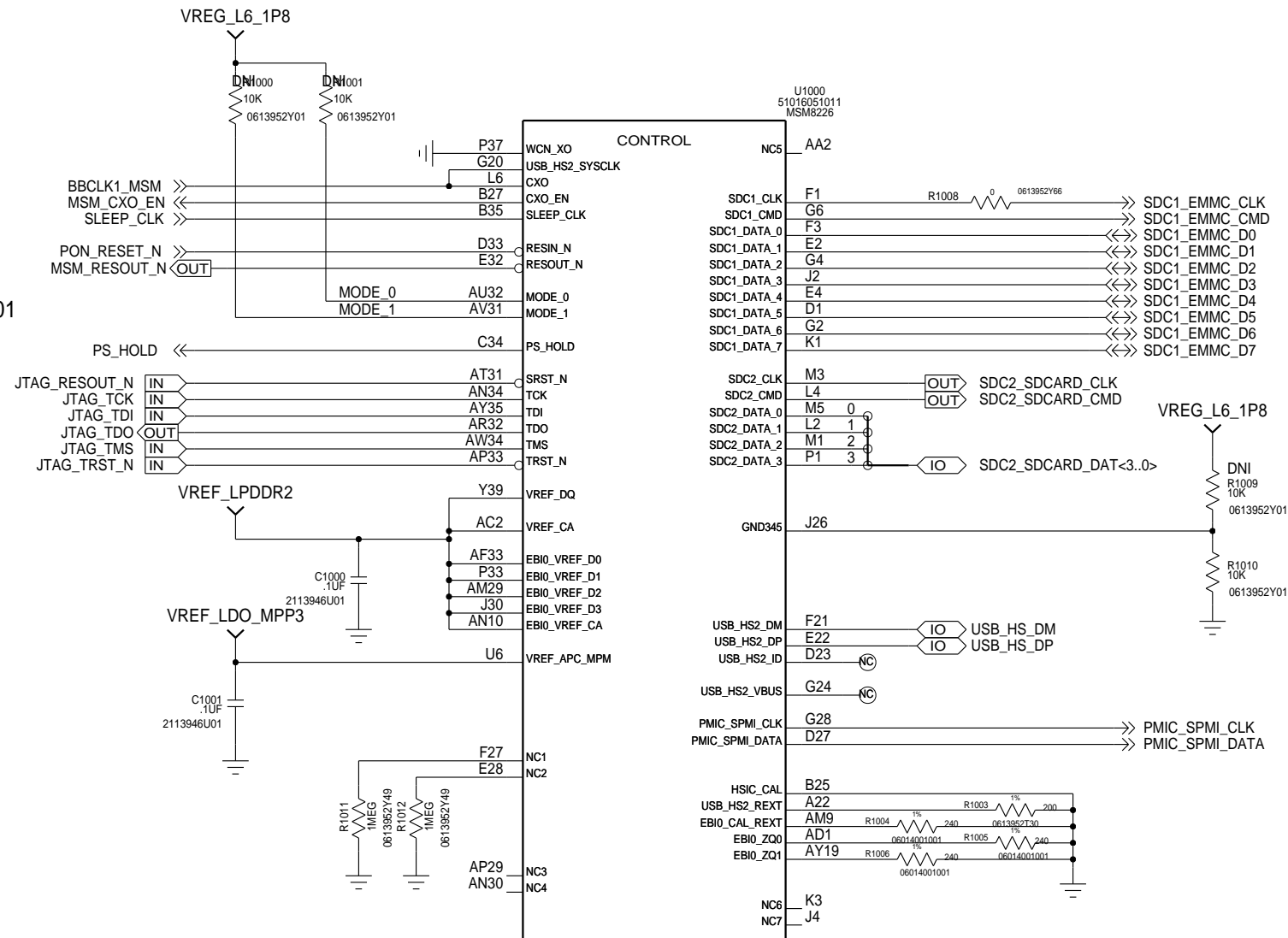
| | | | |
|---|--|--|------------------|
| APPROVALS | | MOTOROLA MOBILE DEVICES | |
| ENGINEER: | | BLOCK TITLE: | |
| LAST MODIFIED BY: Fri Aug 30 15:05:13 2013 | | peripherals | |
| MOTOROLA CONFIDENTIAL RESTRICTED <small>THE DRAWING ON THIS PRINT AND INFORMATION THEREWITH ARE PROPRIETARY TO MOTOROLA AND SHALL NOT BE USED OR DISCUSSED IN WHOLE OR IN PART WITHOUT MOTOROLA'S CONSENT. © COPYRIGHT, MOTOROLA. THIS DOES NOT IMPLY PUBLICATION</small> | | PROJECT NAME B 8226_ref_dsda.cpm | REV 01 |
| | | CAD FILE NAME: | |
| | | PAGE 13 OF 37 | |

MSM8226 CTRL/EMMC/SD

REF 1000-1099

MODE PIN CONFIGURATION

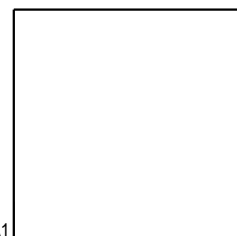
00 = NATIVE MODE ==> DNP R1000 & R1001
 11 = BOUNDARY SCAN (BSAN) MODE ==> PLACE R1000 & R1001



DNI R1009 FOR ES1.01 OR NEWER SAMPLES

POP MEMORY

51014993008
 U1001
 H9TKNNN&JDAPLR-NGHR

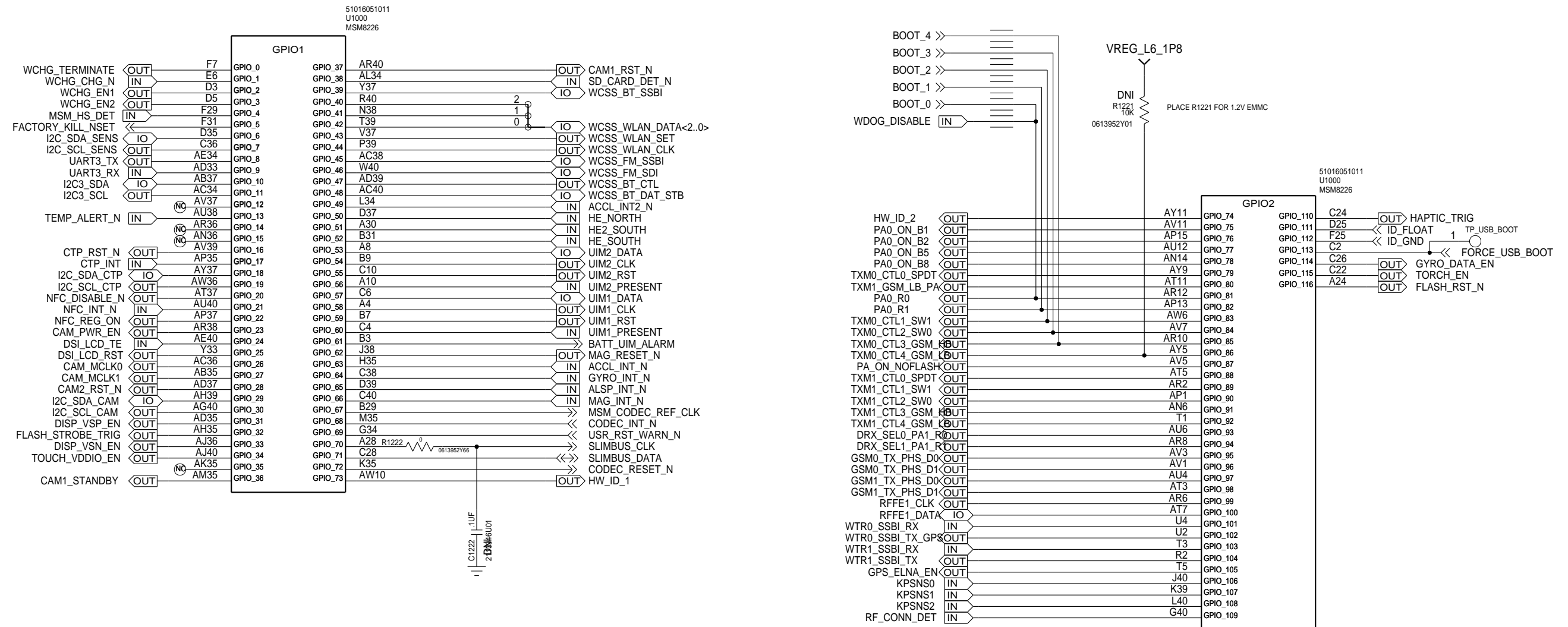


8GBIT LPDDR2
 X32, 2CS
 168PIN
 533MHZ

| | | | |
|--|--|---|------------------|
| APPROVALS | | MOTOROLA MOBILE DEVICES | |
| ENGINEER: HUNG PHAM | | BLOCK TITLE: block_msm8960_pm8921 | |
| LAST MODIFIED BY: HUNG PHAM Fri Aug 30 15:05:27 2013 | | | |
| MOTOROLA CONFIDENTIAL RESTRICTED <small>THE DRAWING ON THIS PRINT AND INFORMATION THEREWITH ARE PROPRIETARY TO MOTOROLA AND SHALL NOT BE USED OR DISCUSSED IN WHOLE OR IN PART WITHOUT MOTOROLA'S CONSENT. © COPYRIGHT, MOTOROLA. THIS DOES NOT IMPLY PUBLICATION</small> | | PROJECT NAME B 8226_ref_dsda.cpm | REV 01 |
| | | CAD FILE NAME: | |
| | | PAGE 14 OF 37 | |

MSM8226 GPIO

REF 1200-1299



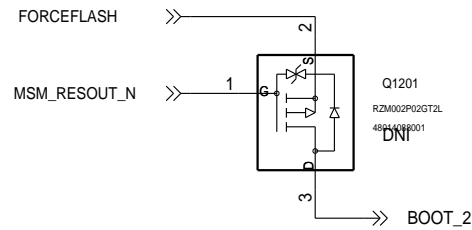
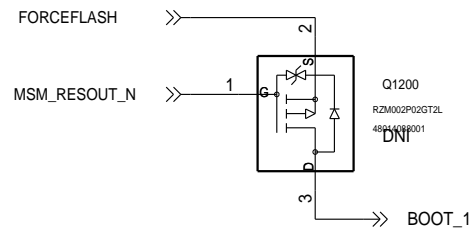
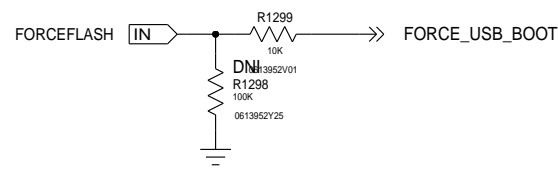
| | | | |
|--|--|--|------------------|
| APPROVALS | | MOTOROLA MOBILE DEVICES | |
| ENGINEER: | | BLOCK TITLE: | |
| LAST MODIFIED BY: HUNG PHAM Fri Aug 30 15:05:28 2013 | | block_msm8960_pm8921 | |
| MOTOROLA CONFIDENTIAL RESTRICTED <small>THE DRAWING ON THIS PRINT AND INFORMATION THEREWITH ARE PROPRIETARY TO MOTOROLA AND SHALL NOT BE USED OR DISCUSSED IN WHOLE OR IN PART WITHOUT MOTOROLA'S CONSENT. © COPYRIGHT, MOTOROLA. THIS DOES NOT IMPLY PUBLICATION</small> | | PROJECT NAME B 8226_ref_dsda.cpm | REV 01 |
| | | CAD FILE NAME: | |
| | | PAGE 15 OF 37 | |

MSM8226 GPIO 2

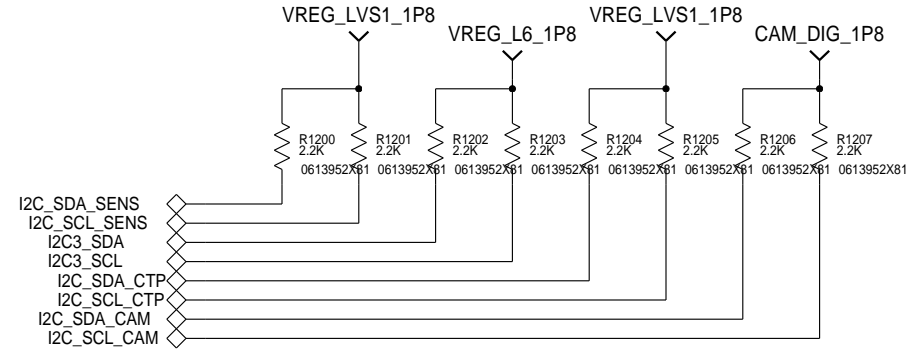
REF 1200-1299

BOOT_CONFIG[4..0], INTERNAL PD

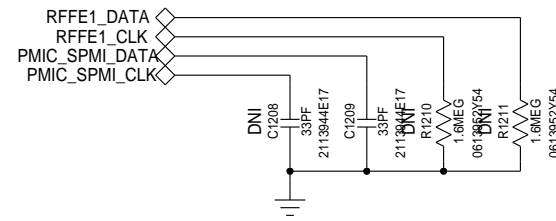
0000X = EMMC -> SDC2 -> USB
 0001X = SDC2 -> EMMC
 0010X = EMMC
 0011X = USB-HS
 0110X = SPI NOR BLSP1
 0111X = SPI NOR BLSP2
BOOT_CONFIG[0]
 0 = NORMAL
 1 = WDOG DISABLE



I2C BUS PULL-UP

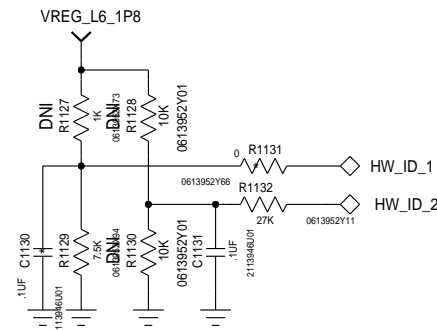


SPM1 & RFFE PULL-DOWN



MOT BOARD ID

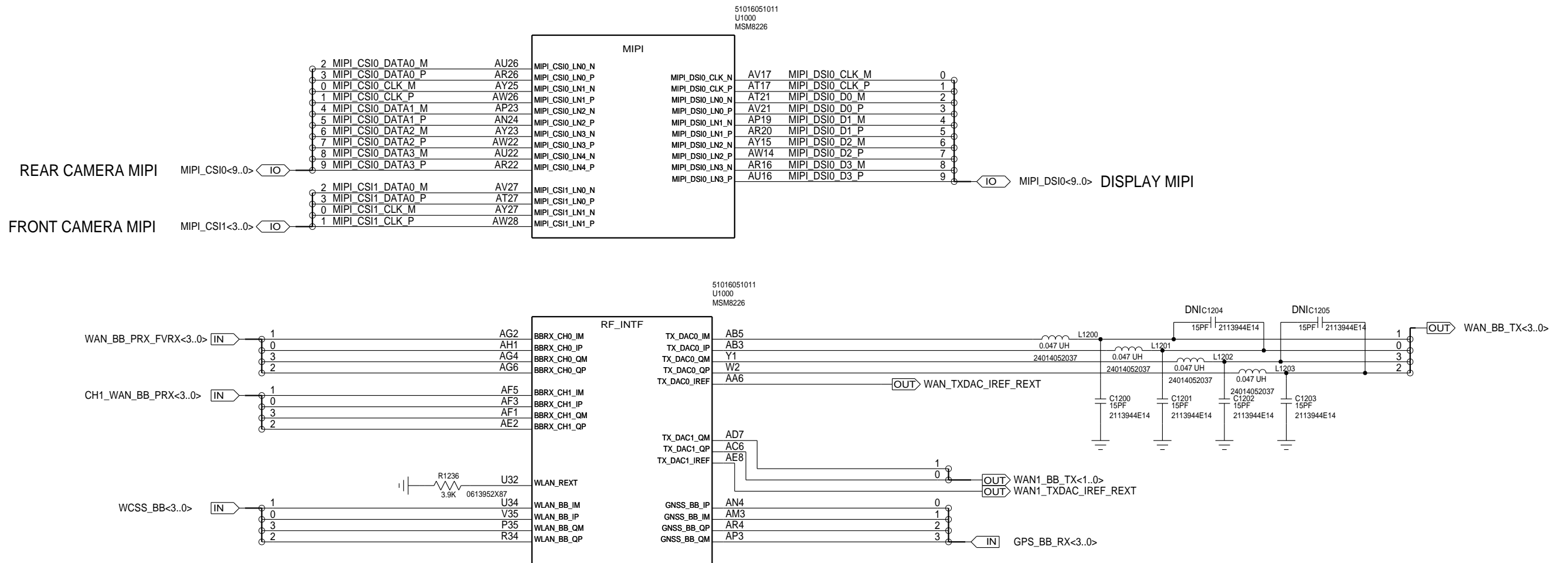
FOR RUNTIME REVISION INFORMATION, REFER TO:
<https://sites.google.com/a/motorola.com/runtime-product-ids>



| | | | |
|--|--|-------------------------------------|-----------|
| APPROVALS | | | |
| ENGINEER: | | BLOCK TITLE: | |
| LAST MODIFIED BY: HUNG PHAM Fri Aug 30 15:05:37 2013 | | <h3>block_msm8960_pm8921</h3> | |
| MOTOROLA CONFIDENTIAL RESTRICTED THE DRAWING ON THIS PRINT AND INFORMATION THEREWITH ARE PROPRIETARY TO MOTOROLA AND SHALL NOT BE USED OR DISCUSSED IN WHOLE OR IN PART WITHOUT MOTOROLA'S CONSENT. © COPYRIGHT, MOTOROLA. THIS DOES NOT IMPLY PUBLICATION | | PROJECT NAME B 8226_ref_dsda.cpm | REV 01 |
| CAD FILE NAME: | | PAGE 16 OF 37 | |

MSM8226 MIPI/DSI/CSI/RF

REF 1200-1299



APPROVALS



ENGINEER:

BLOCK TITLE:

LAST MODIFIED BY: HUNG PHAM
Fri Aug 30 15:05:29 2013

block_msm8960_pm8921

MOTOROLA CONFIDENTIAL RESTRICTED

THE DRAWING ON THIS PRINT AND INFORMATION
THEREWITH ARE PROPRIETARY TO MOTOROLA AND
SHALL NOT BE USED OR DISCUSSED IN WHOLE
OR IN PART WITHOUT MOTOROLA'S CONSENT.
© COPYRIGHT, MOTOROLA. THIS DOES
NOT IMPLY PUBLICATION

PROJECT NAME

B 8226_ref_dsda.cpm

REV

01

CAD FILE NAME:

PAGE 17 OF 37

MSM8226 POWER 1

REF 1300-1399

8 7 6 5 4 3 2 1

D

C

B

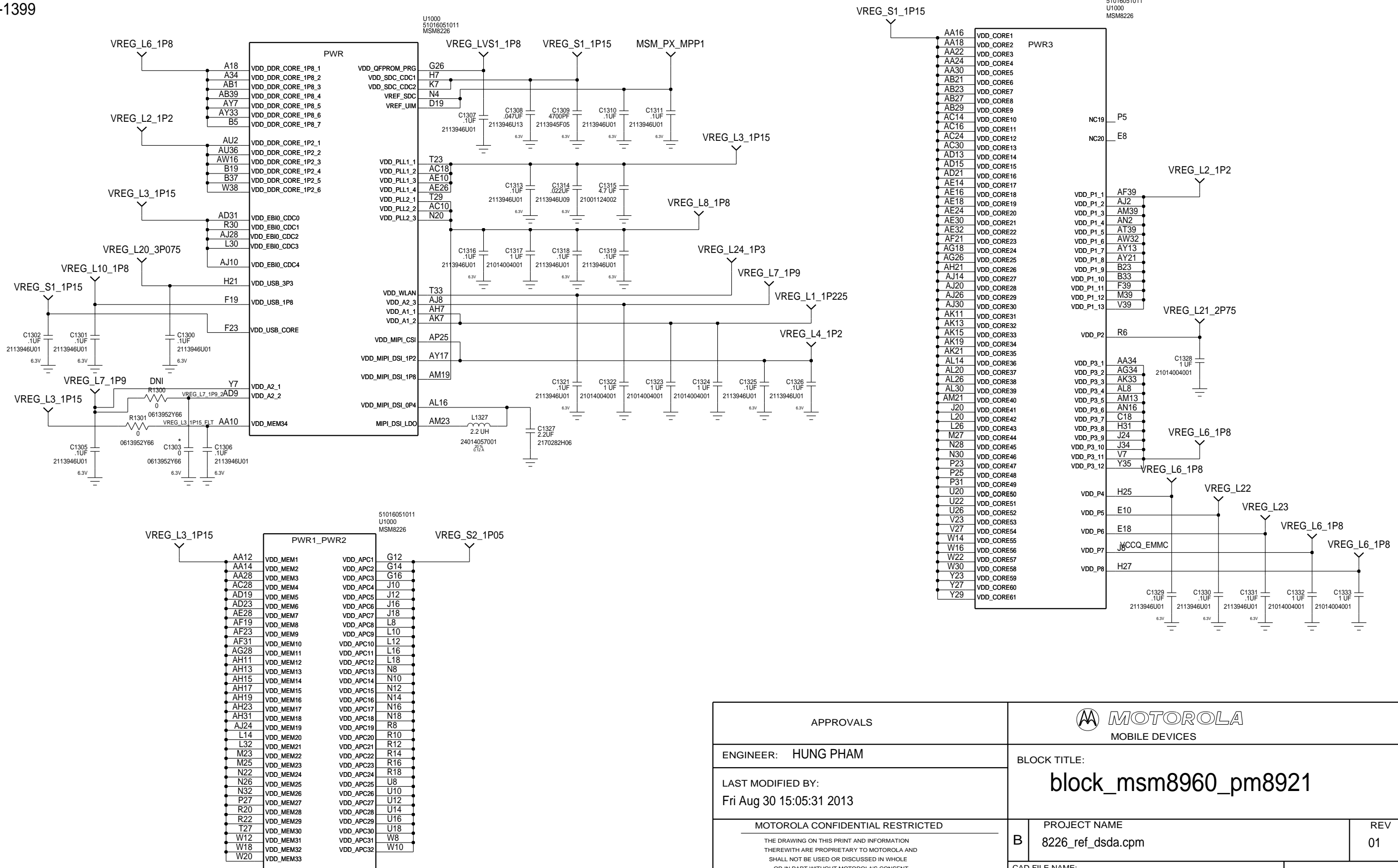
A

D

C

B

A

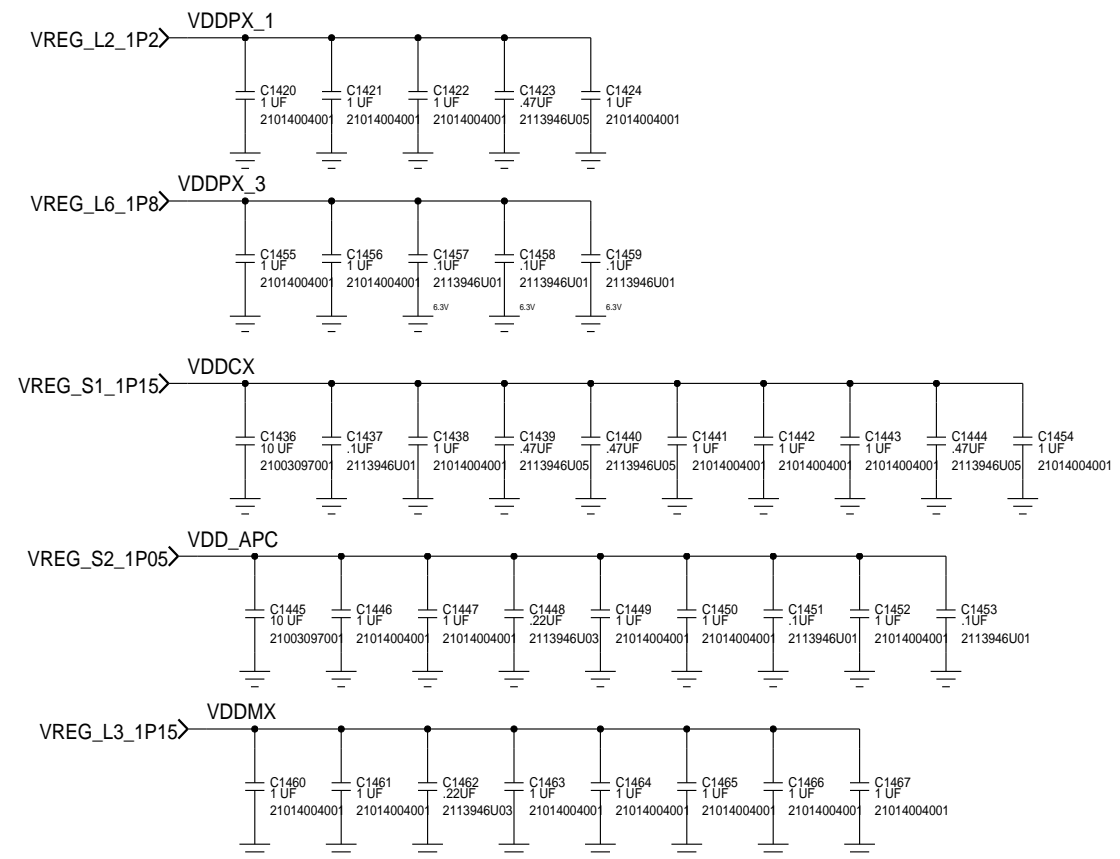
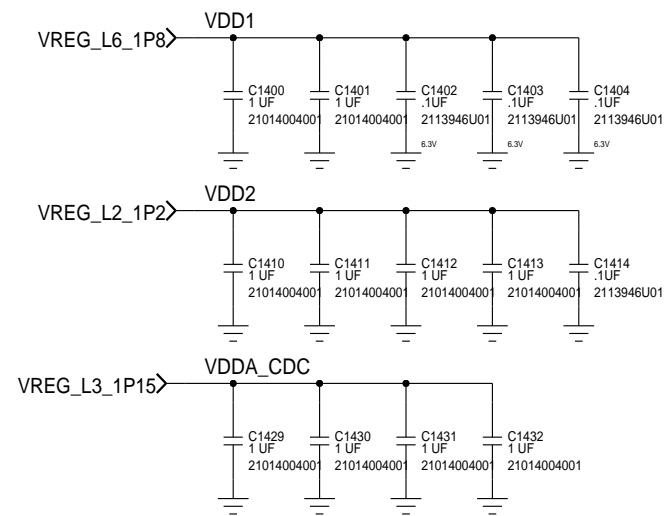


8 7 6 5 4 3 2 1

| | | | |
|--|--|---------------------------------------|---------------|
| APPROVALS | | MOTOROLA MOBILE DEVICES | |
| ENGINEER: HUNG PHAM | | BLOCK TITLE: | |
| LAST MODIFIED BY: | | block_msm8960_pm8921 | |
| Fri Aug 30 15:05:31 2013 | | | |
| MOTOROLA CONFIDENTIAL RESTRICTED | | PROJECT NAME | REV |
| <small>THE DRAWING ON THIS PRINT AND INFORMATION THEREWITH ARE PROPRIETARY TO MOTOROLA AND SHALL NOT BE USED OR DISCUSSED IN WHOLE OR IN PART WITHOUT MOTOROLA'S CONSENT. © COPYRIGHT, MOTOROLA. THIS DOES NOT IMPLY PUBLICATION</small> | | B 8226_ref_dsda.cpm | 01 |
| | | CAD FILE NAME: | PAGE 18 OF 37 |

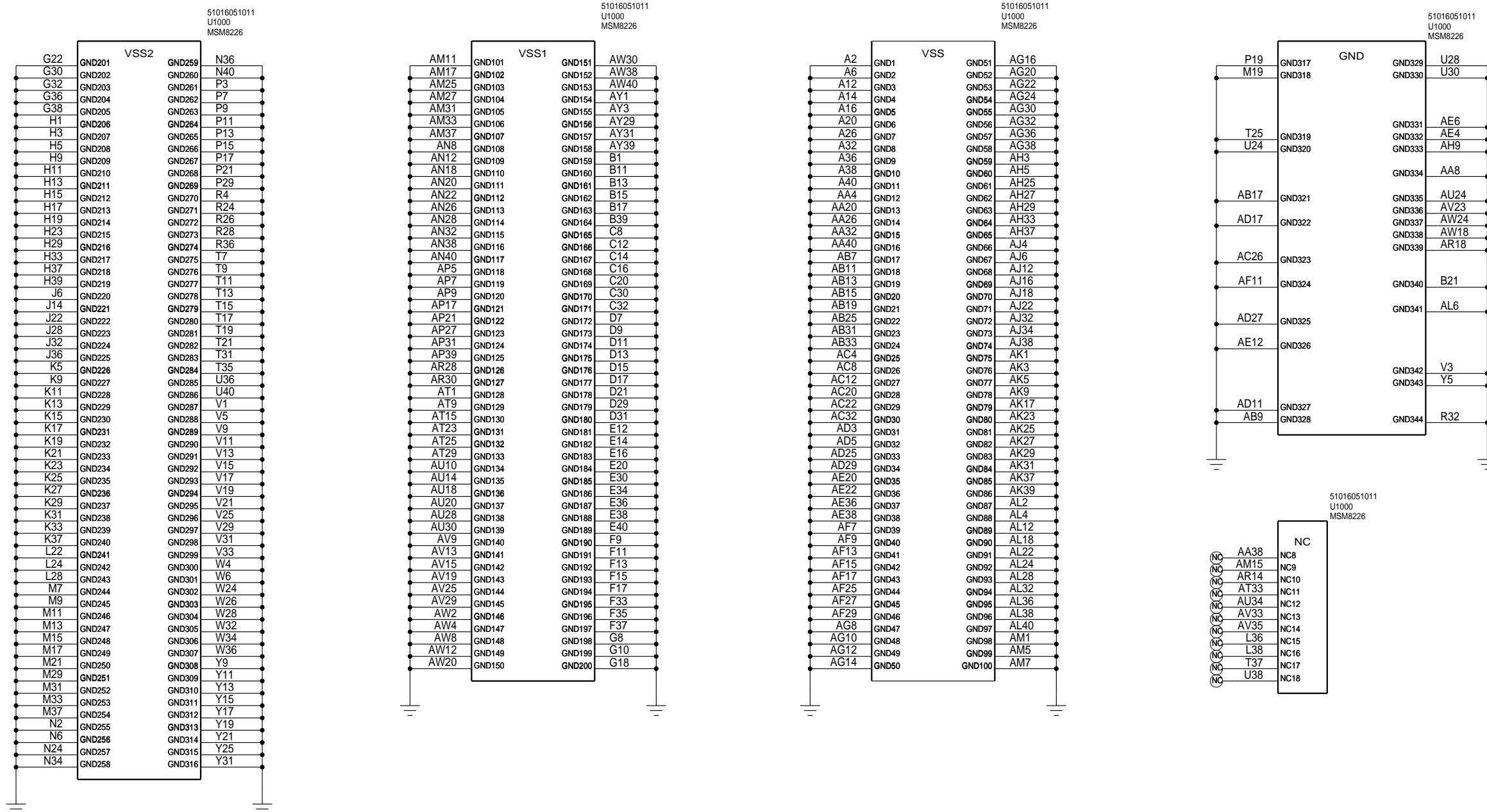
MSM8226 POWER 2

REF 1400-1499



| | | | |
|---|--|--|------------------|
| APPROVALS | | MOTOROLA MOBILE DEVICES | |
| ENGINEER: | | BLOCK TITLE: | |
| LAST MODIFIED BY: HUNG PHAM Fri Aug 30 15:05:38 2013 | | block_msm8960_pm8921 | |
| MOTOROLA CONFIDENTIAL RESTRICTED <small>THE DRAWING ON THIS PRINT AND INFORMATION THEREWITH ARE PROPRIETARY TO MOTOROLA AND SHALL NOT BE USED OR DISCUSSED IN WHOLE OR IN PART WITHOUT MOTOROLA'S CONSENT. © COPYRIGHT, MOTOROLA. THIS DOES NOT IMPLY PUBLICATION</small> | | PROJECT NAME B 8226_ref_dsda.cpm | REV 01 |
| | | CAD FILE NAME: | |
| | | PAGE 19 OF 37 | |

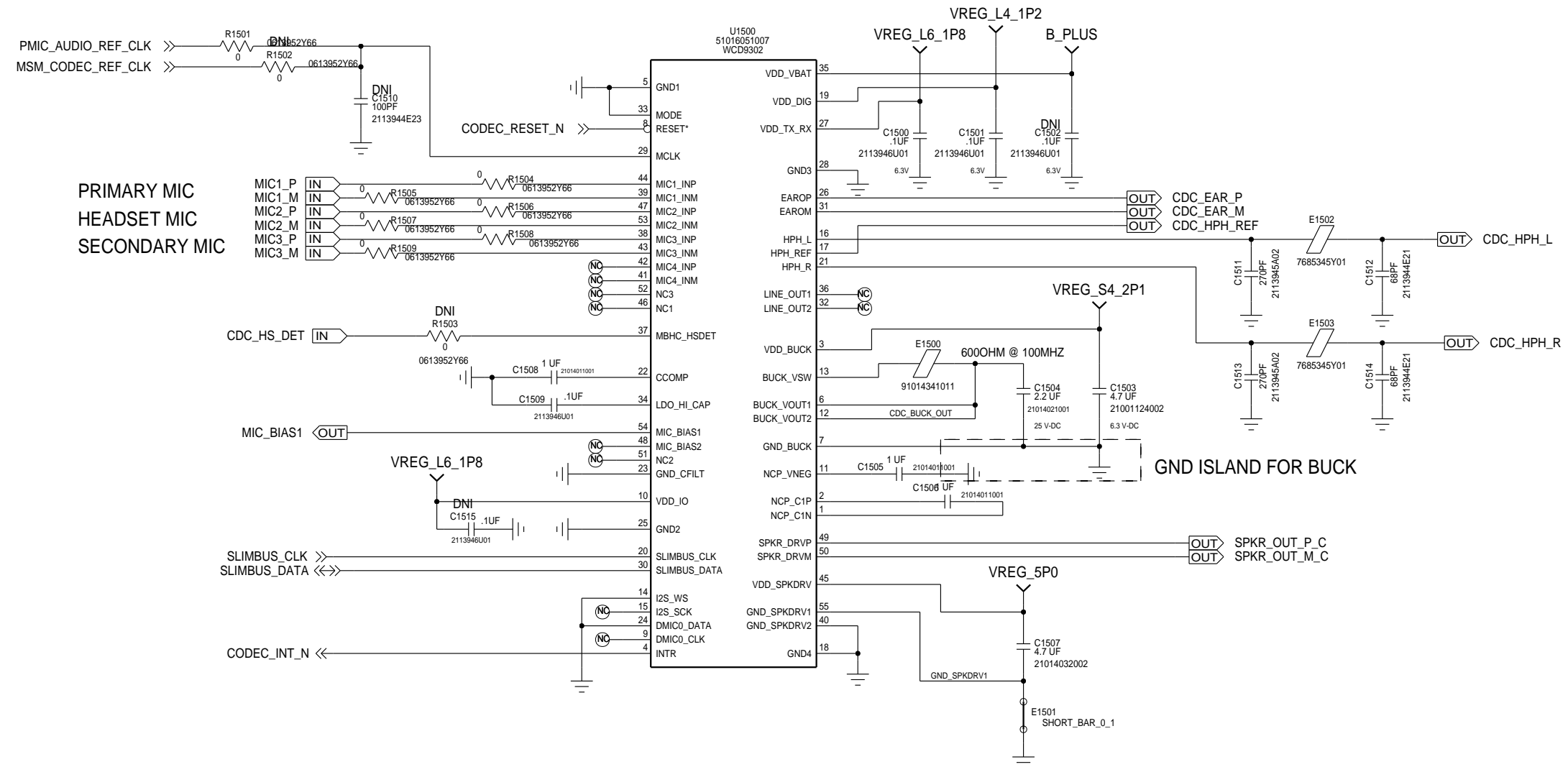
MSM8226 GROUND



| | | | |
|---|--|--|-----------|
| APPROVALS | | MOTOROLA MOBILE DEVICES | |
| ENGINEER: | | BLOCK TITLE: | |
| LAST MODIFIED BY: HUNG PHAM Fri Aug 30 15:05:40 2013 | | block_msm8960_pm8921 | |
| MOTOROLA CONFIDENTIAL RESTRICTED <small>THE DRAWING ON THIS PRINT AND INFORMATION THEREWITH ARE PROPRIETARY TO MOTOROLA AND SHALL NOT BE USED OR DISCUSSED IN WHOLE OR IN PART WITHOUT MOTOROLA'S CONSENT. © COPYRIGHT, MOTOROLA. THIS DOES NOT IMPLY PUBLICATION</small> | | PROJECT NAME B 8226_ref_dsda.cpm | REV 01 |
| | | CAD FILE NAME: | |
| | | PAGE 20 OF 37 | |

WCD9302 AUDIO

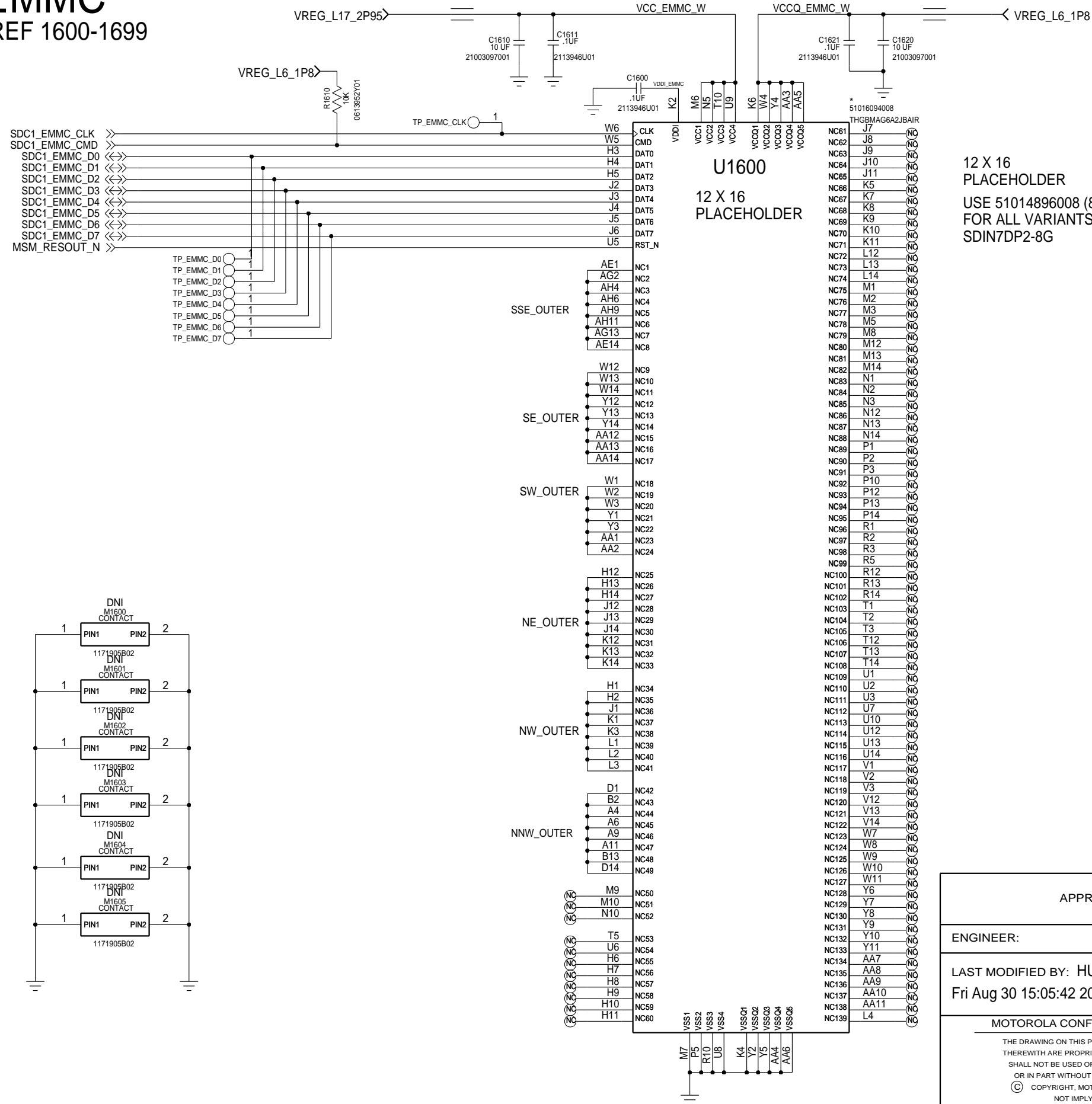
REF 1500-1579



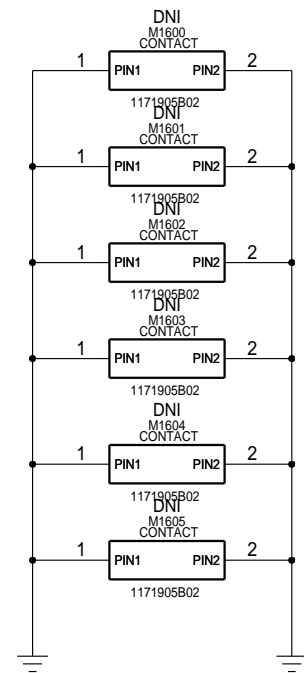
| | | | |
|---|--|--|------------------|
| APPROVALS | | MOTOROLA MOBILE DEVICES | |
| ENGINEER: | | BLOCK TITLE: | |
| LAST MODIFIED BY: HUNG PHAM Fri Aug 30 15:05:32 2013 | | block_msm8960_pm8921 | |
| MOTOROLA CONFIDENTIAL RESTRICTED <small>THE DRAWING ON THIS PRINT AND INFORMATION THEREWITH ARE PROPRIETARY TO MOTOROLA AND SHALL NOT BE USED OR DISCUSSED IN WHOLE OR IN PART WITHOUT MOTOROLA'S CONSENT. © COPYRIGHT, MOTOROLA. THIS DOES NOT IMPLY PUBLICATION</small> | | PROJECT NAME B 8226_ref_dsda.cpm | REV 01 |
| | | CAD FILE NAME: | |
| | | PAGE 21 OF 37 | |

EMMC

REF 1600-1699



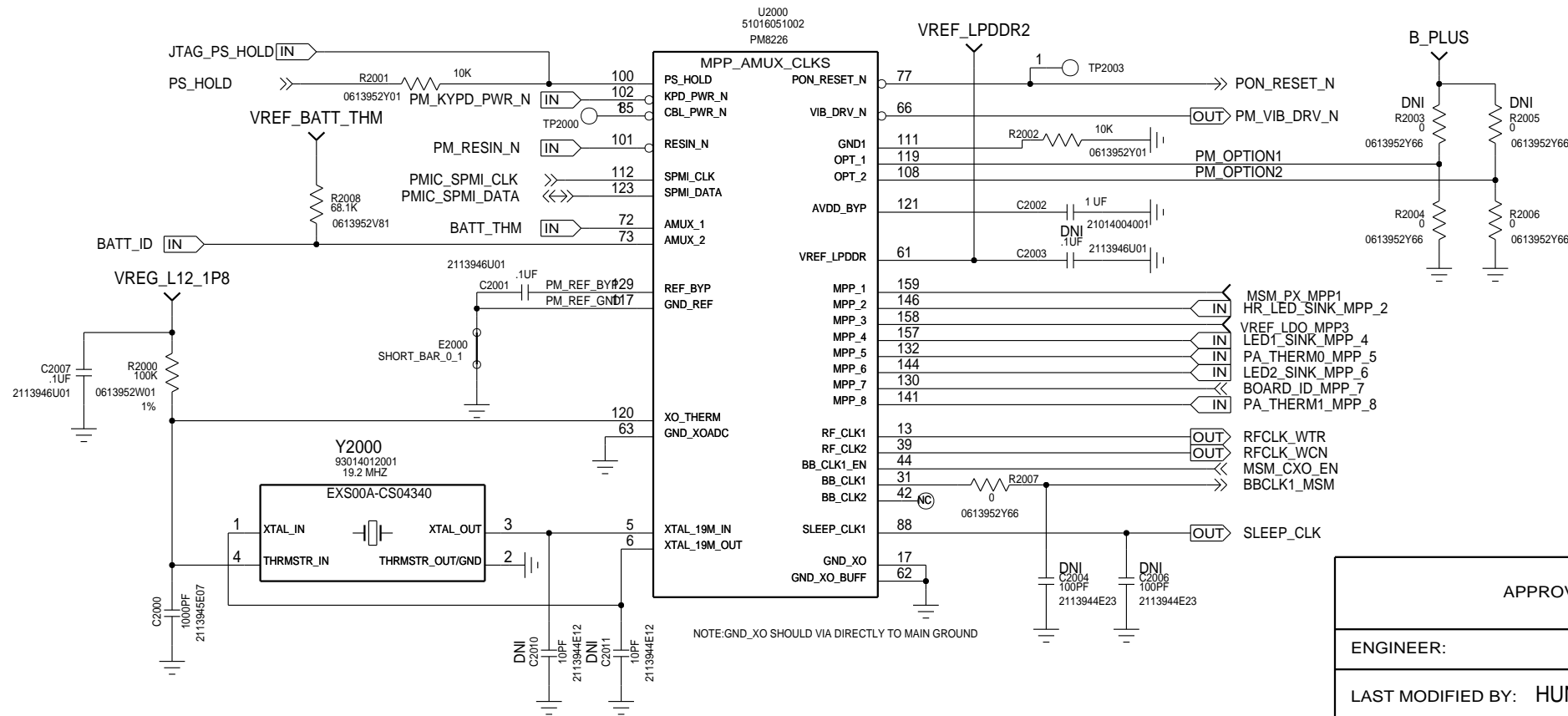
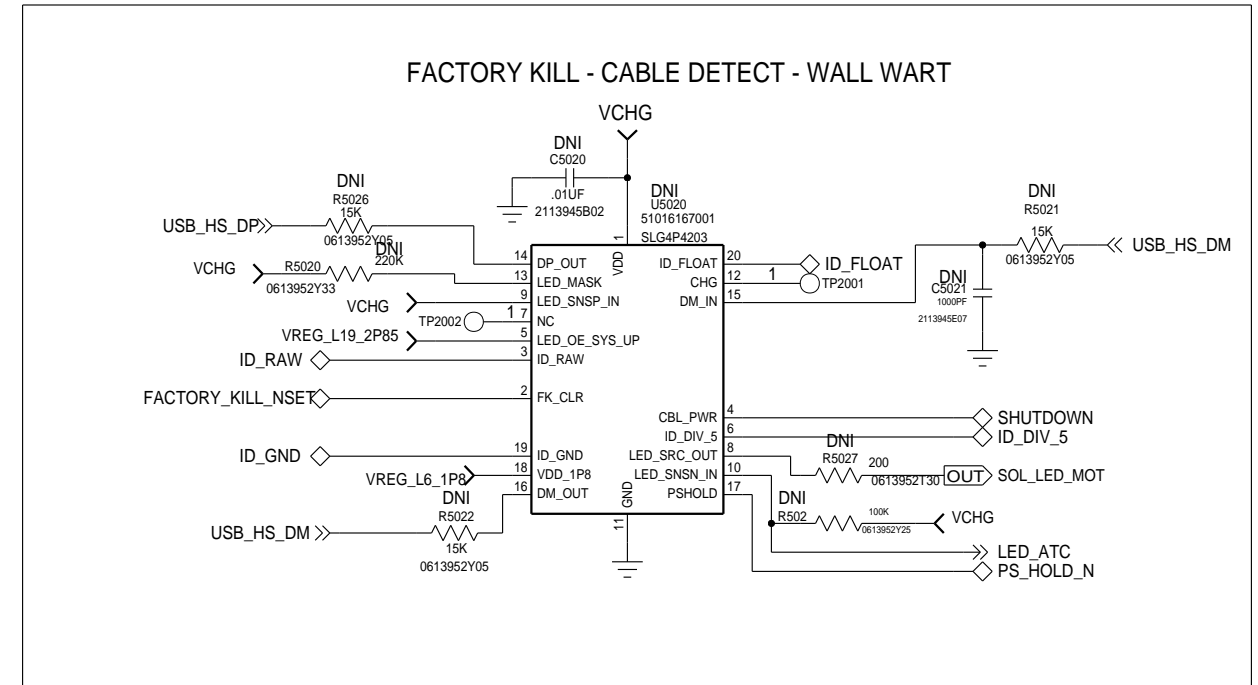
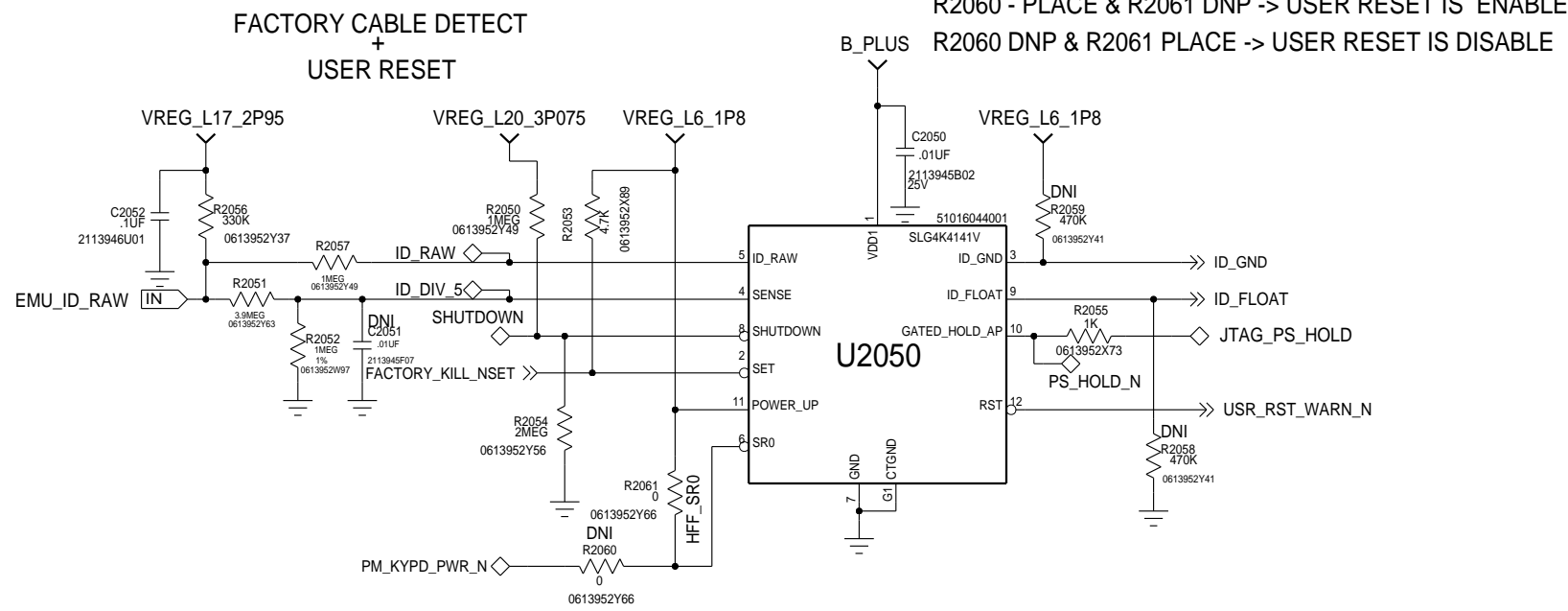
12 X 16
PLACEHOLDER
USE 51014896008 (8G)
FOR ALL VARIANTS
SDIN7DP2-8G



| | | | |
|--|--|-------------------------------|-----|
| APPROVALS | | | |
| ENGINEER: | | BLOCK TITLE: | |
| LAST MODIFIED BY: HUNG PHAM Fri Aug 30 15:05:42 2013 | | <h3>block_msm8960_pm8921</h3> | |
| MOTOROLA CONFIDENTIAL RESTRICTED | | PROJECT NAME | REV |
| <small>THE DRAWING ON THIS PRINT AND INFORMATION THEREWITH ARE PROPRIETARY TO MOTOROLA AND SHALL NOT BE USED OR DISCUSSED IN WHOLE OR IN PART WITHOUT MOTOROLA'S CONSENT.</small> <small>© COPYRIGHT, MOTOROLA. THIS DOES NOT IMPLY PUBLICATION</small> | | B 8226_ref_dsda.cpm | 01 |
| | | PAGE 22 OF 37 | |

PM8226 CTRL/CLK/MPP

REF 2000-2099



DNI R2003 AND R2005

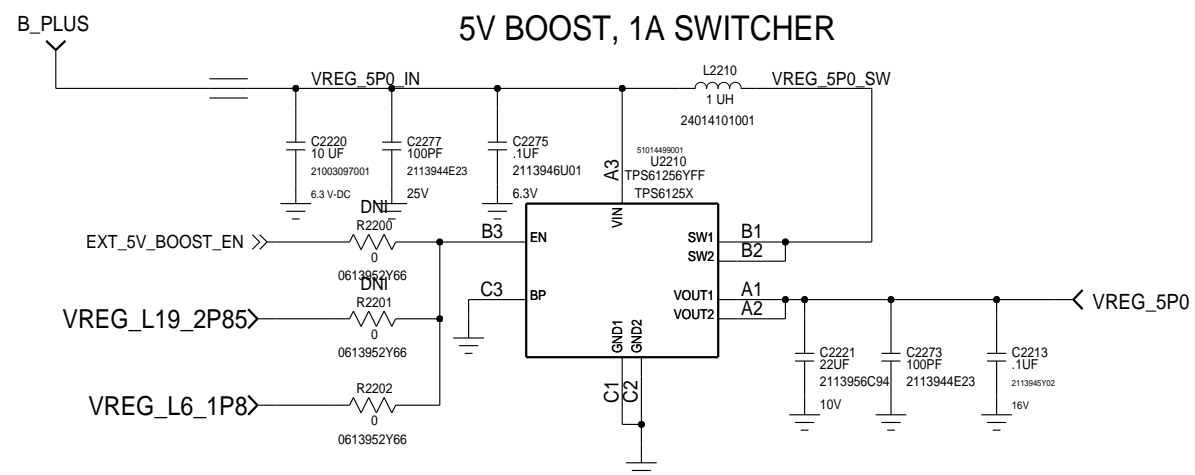
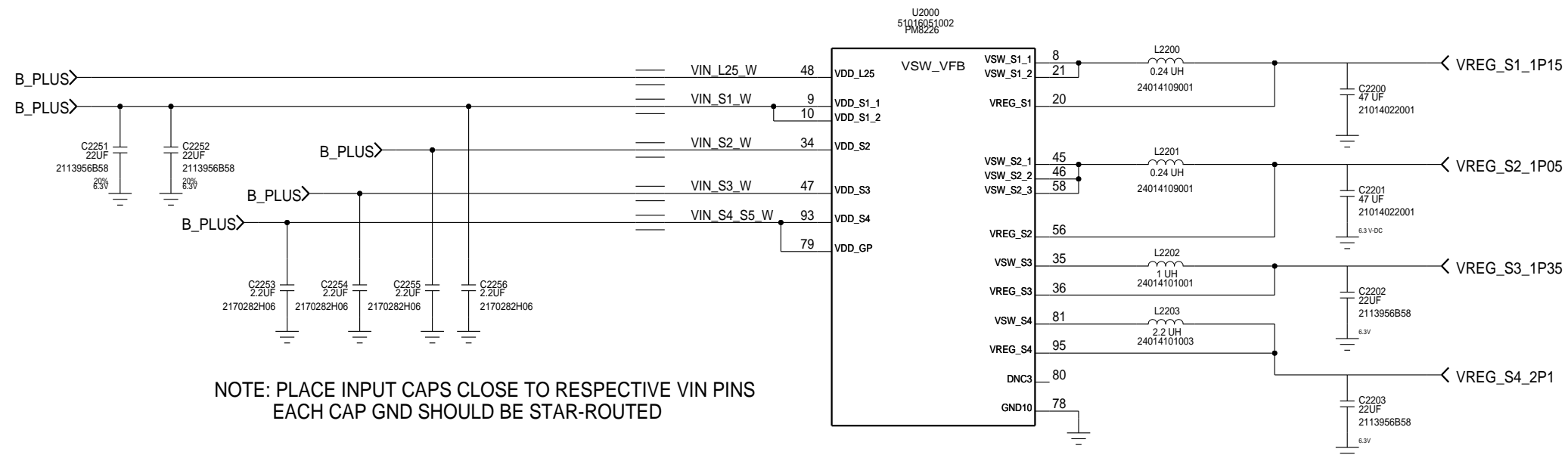
NOTE: GND_XO SHOULD VIA DIRECTLY TO MAIN GROUND

BASED ON 80-N1622-41 REV. H

| | | | |
|--|--|-------------------------------|-----|
| APPROVALS | | | |
| ENGINEER: | | BLOCK TITLE: | |
| LAST MODIFIED BY: HUNG PHAM Fri Aug 30 15:05:33 2013 | | <h3>block_msm8960_pm8921</h3> | |
| MOTOROLA CONFIDENTIAL RESTRICTED | | PROJECT NAME | REV |
| <small>THE DRAWING ON THIS PRINT AND INFORMATION THEREWITH ARE PROPRIETARY TO MOTOROLA AND SHALL NOT BE USED OR DISCUSSED IN WHOLE OR IN PART WITHOUT MOTOROLA'S CONSENT. © COPYRIGHT, MOTOROLA. THIS DOES NOT IMPLY PUBLICATION</small> | | B 8226_ref_dsda.cpm | 01 |
| CAD FILE NAME: | | PAGE 23 OF 37 | |

PM8226 SMPS

REF 2200-2299



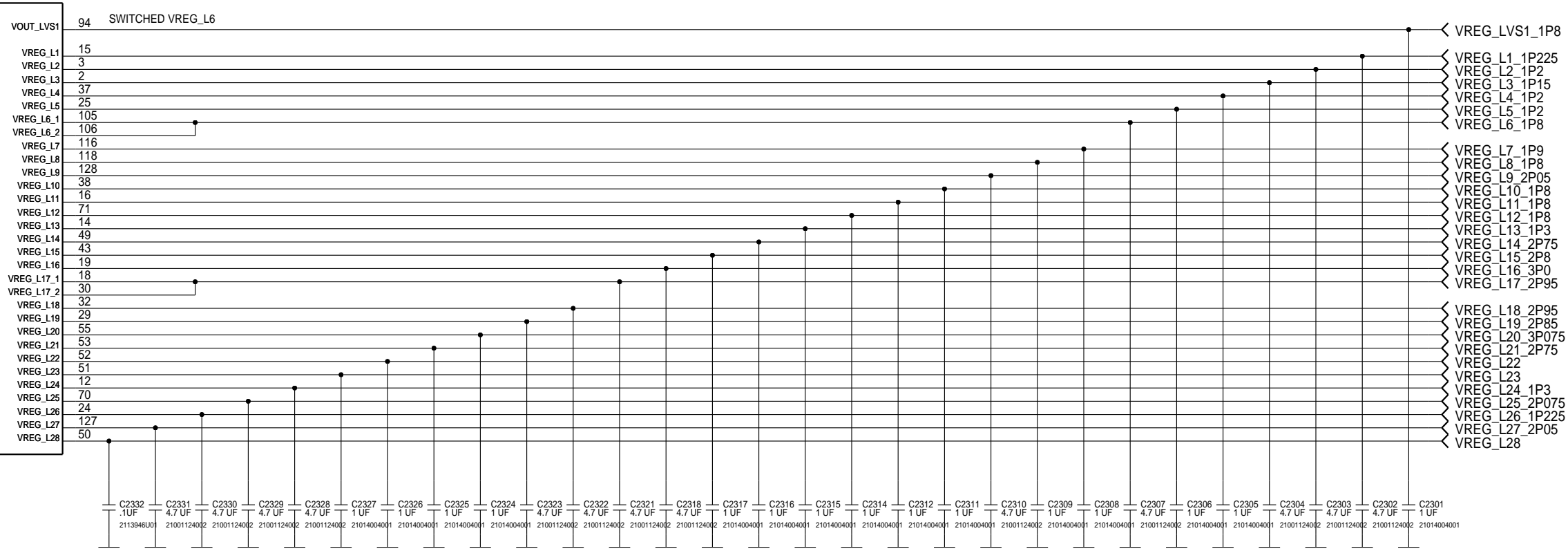
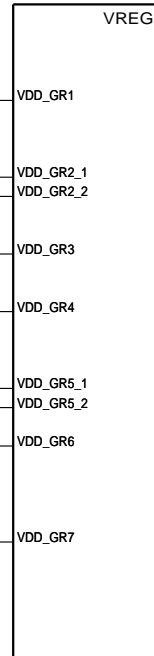
BASED ON 80-N1622-41 REV. H

| | | | |
|---|--|------------------------------------|----------------------|
| APPROVALS | | | |
| ENGINEER: | | BLOCK TITLE: | |
| LAST MODIFIED BY: | | <p>block_msm8960_pm8921</p> | |
| <p>Fri Aug 30 15:05:36 2013</p> | | <p>PROJECT NAME</p> | |
| <p>MOTOROLA CONFIDENTIAL RESTRICTED</p> <p>THE DRAWING ON THIS PRINT AND INFORMATION THEREWITH ARE PROPRIETARY TO MOTOROLA AND SHALL NOT BE USED OR DISCUSSED IN WHOLE OR IN PART WITHOUT MOTOROLA'S CONSENT.</p> <p>© COPYRIGHT, MOTOROLA. THIS DOES NOT IMPLY PUBLICATION</p> | | <p>B</p> <p>8226_ref_dsda.cpm</p> | <p>REV</p> <p>01</p> |
| <p>CAD FILE NAME:</p> | | <p>PAGE 25 OF 37</p> | |

PM8226 VREGS

REF 2300-2399

51016051002
U2000
PM8226

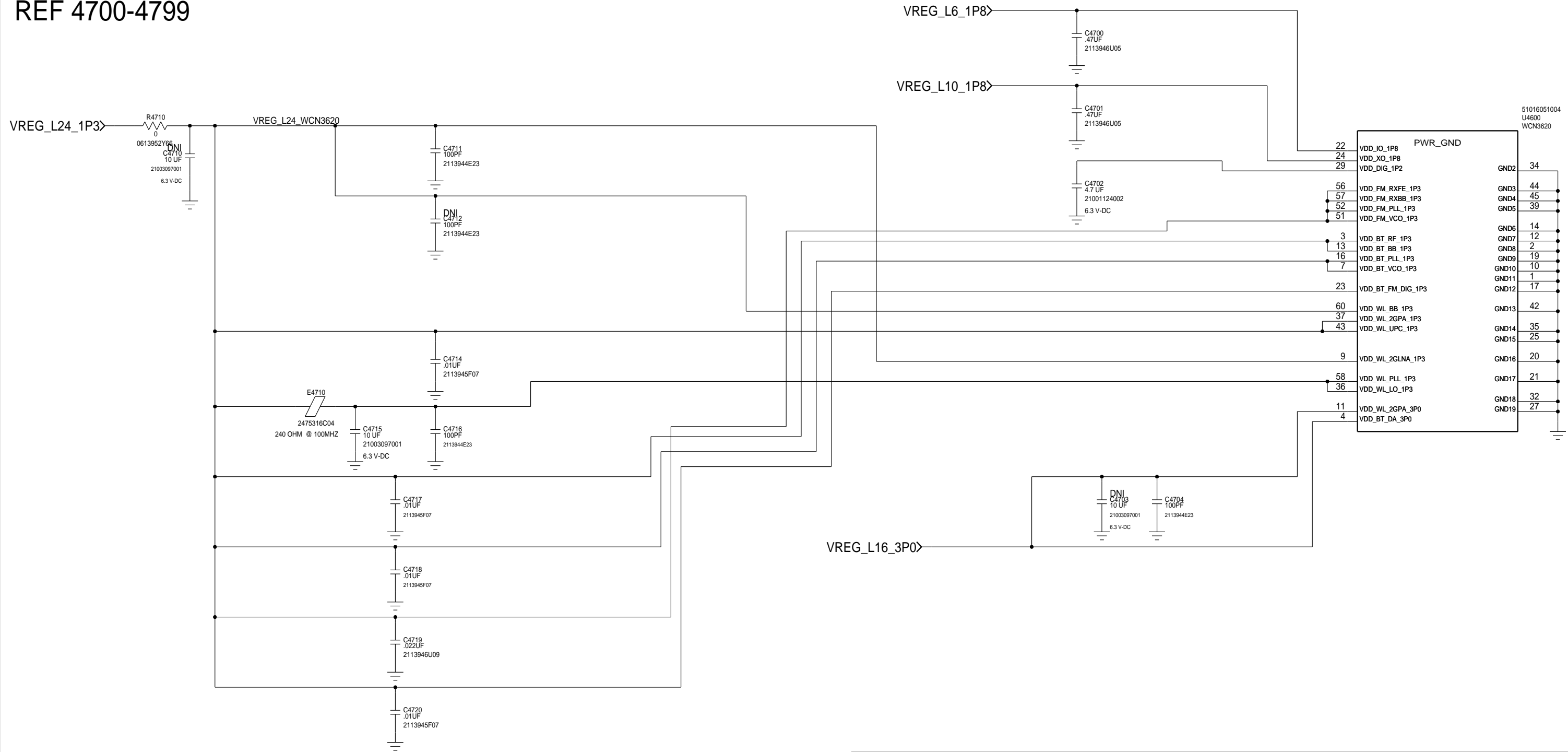


BASED ON 80-N1622-41 REV. E

| | | | |
|---|--|---------------------------------------|---------------|
| APPROVALS | | MOTOROLA MOBILE DEVICES | |
| ENGINEER: | | BLOCK TITLE: | |
| LAST MODIFIED BY: | | block_msm8960_pm8921 | |
| Fri Aug 30 15:05:40 2013 | | PROJECT NAME | REV |
| MOTOROLA CONFIDENTIAL RESTRICTED <small>THE DRAWING ON THIS PRINT AND INFORMATION THEREWITH ARE PROPRIETARY TO MOTOROLA AND SHALL NOT BE USED OR DISCUSSED IN WHOLE OR IN PART WITHOUT MOTOROLA'S CONSENT. © COPYRIGHT, MOTOROLA. THIS DOES NOT IMPLY PUBLICATION</small> | | B 8226_ref_dsda.cpm | 01 |
| | | CAD FILE NAME: | PAGE 26 OF 37 |

WCN3620 POWER

REF 4700-4799

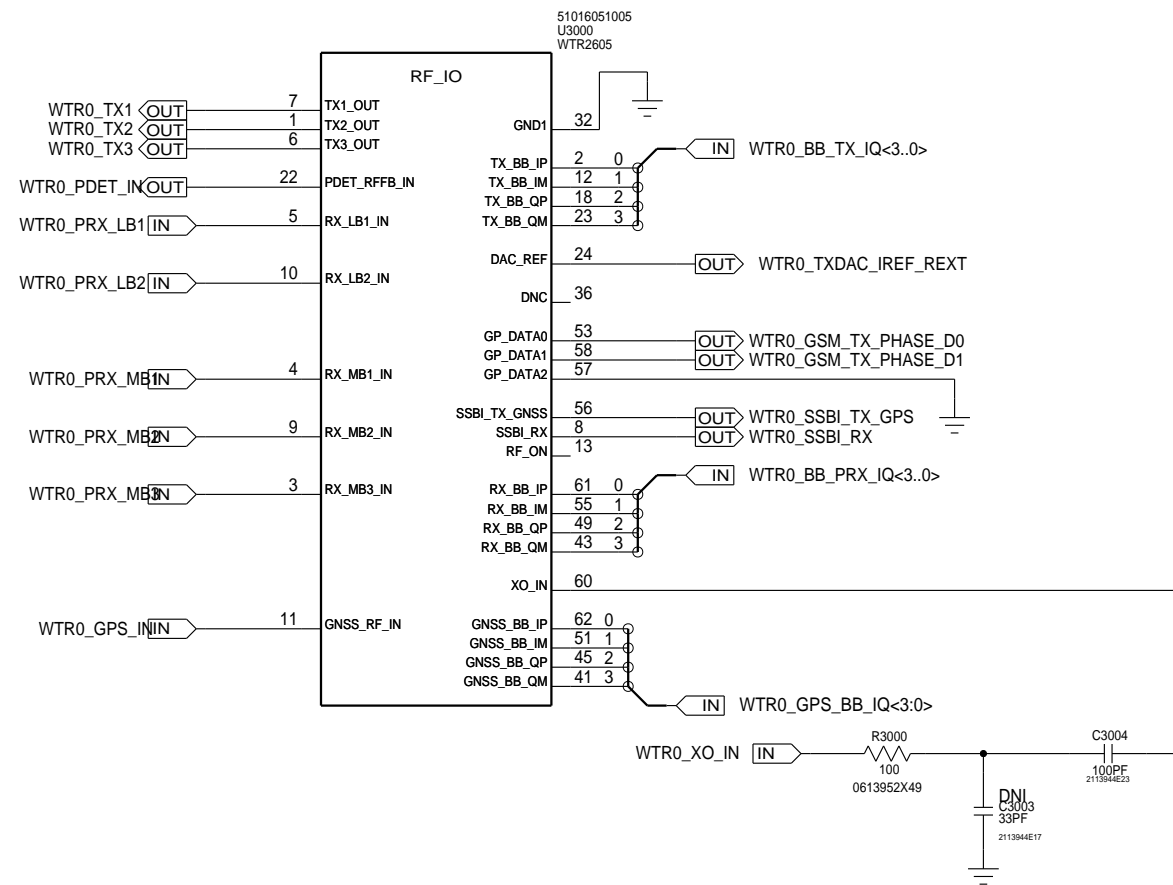


BASED ON 80-WL006-44 REV C


| | | | |
|--|--|--|------------------|
| APPROVALS | | MOTOROLA MOBILE DEVICES | |
| ENGINEER: | | BLOCK TITLE: | |
| LAST MODIFIED BY: FROEHLING Fri Aug 30 15:05:47 2013 | | block_wcn3660 | |
| MOTOROLA CONFIDENTIAL RESTRICTED <small>THE DRAWING ON THIS PRINT AND INFORMATION THEREWITH ARE PROPRIETARY TO MOTOROLA AND SHALL NOT BE USED OR DISCUSSED IN WHOLE OR IN PART WITHOUT MOTOROLA'S CONSENT. © COPYRIGHT, MOTOROLA. THIS DOES NOT IMPLY PUBLICATION</small> | | PROJECT NAME B 8226_ref_dsda.cpm | REV 01 |
| | | CAD FILE NAME: | |
| | | PAGE 28 OF 37 | |

WTR2605 BB RF

REF 3000-3099



BASED ON 80-N5420-45 REV. C

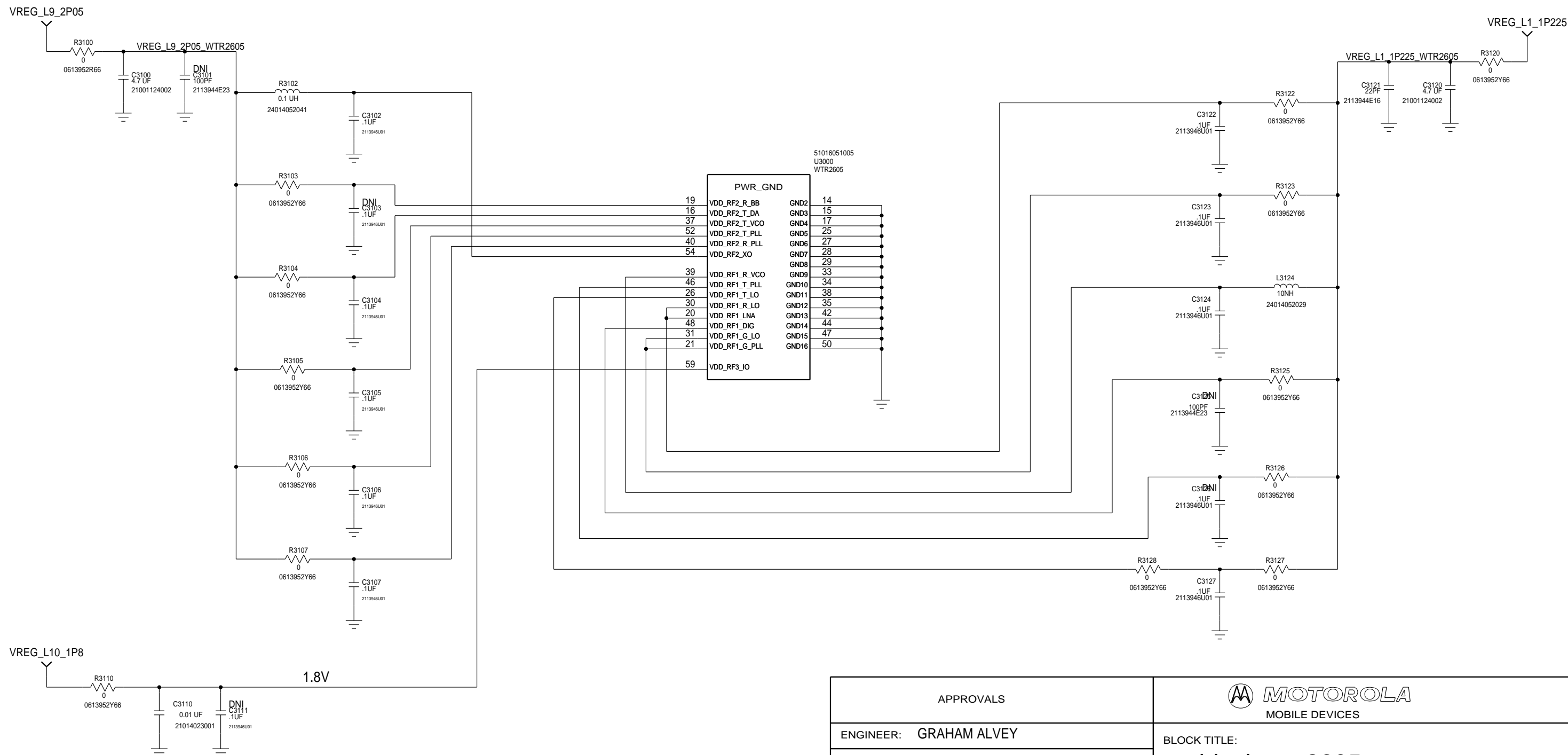
| | | | |
|---|--|---|-----|
| APPROVALS | |  MOTOROLA MOBILE DEVICES | |
| ENGINEER: GRAHAM ALVEY | | BLOCK TITLE: | |
| LAST MODIFIED BY: Fri Aug 30 15:05:48 2013 | | block_wtr2605 | |
| MOTOROLA CONFIDENTIAL RESTRICTED <small>THE DRAWING ON THIS PRINT AND INFORMATION THEREWITH ARE PROPRIETARY TO MOTOROLA AND SHALL NOT BE USED OR DISCUSSED IN WHOLE OR IN PART WITHOUT MOTOROLA'S CONSENT. © COPYRIGHT, MOTOROLA. THIS DOES NOT IMPLY PUBLICATION</small> | | PROJECT NAME | REV |
| | | B 8226_ref_dsda.cpm | 01 |
| | | CAD FILE NAME: | |
| | | PAGE 29 OF 37 | |

WTR2605 POWER

REF 3100-3199

WTR2605 POWER DISTRIBUTION 2.05V, 1.8V, & 1.225V

NOTE: STAR ROUTE TO INDIVIDUAL DECOUPLING CAPS.

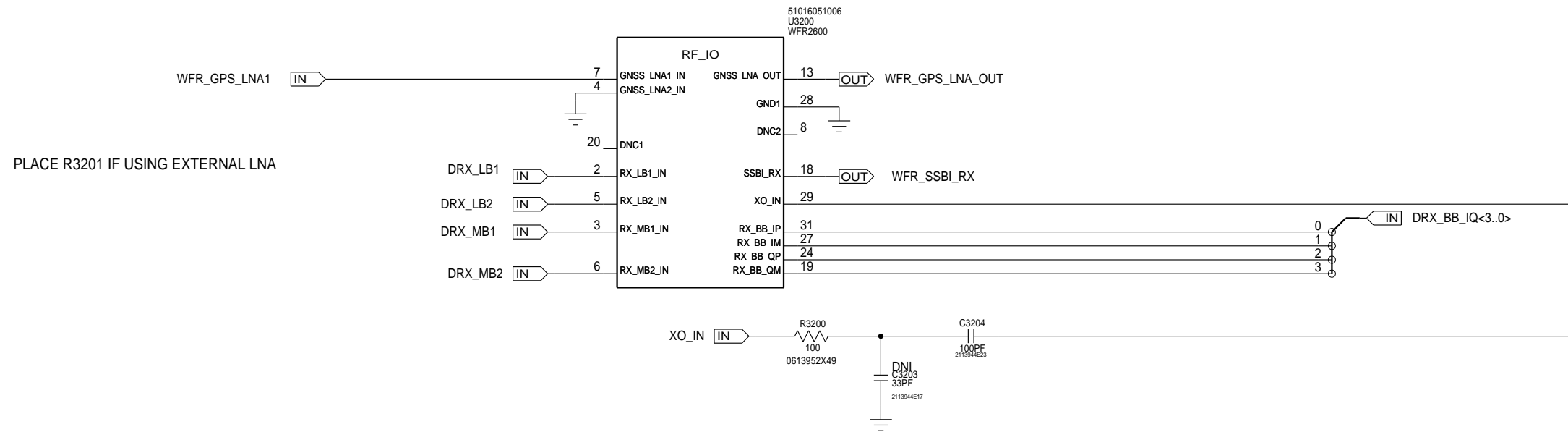


BASED ON 80-5420-45 REV. C

| | | | |
|--|--|--------------------------------------|-----------|
| APPROVALS | | MOTOROLA MOBILE DEVICES | |
| ENGINEER: GRAHAM ALVEY | | BLOCK TITLE: block_wtr2605 | |
| LAST MODIFIED BY: Fri Aug 30 15:05:49 2013 | | PROJECT NAME 8226_ref_dsda.cpm | |
| MOTOROLA CONFIDENTIAL RESTRICTED <small>THE DRAWING ON THIS PRINT AND INFORMATION THEREWITH ARE PROPRIETARY TO MOTOROLA AND SHALL NOT BE USED OR DISCUSSED IN WHOLE OR IN PART WITHOUT MOTOROLA'S CONSENT. © COPYRIGHT, MOTOROLA. THIS DOES NOT IMPLY PUBLICATION</small> | | CAD FILE NAME: | REV 01 |
| | | PAGE 30 OF 37 | |

WFR2600 BB RF

REF 3200-3299

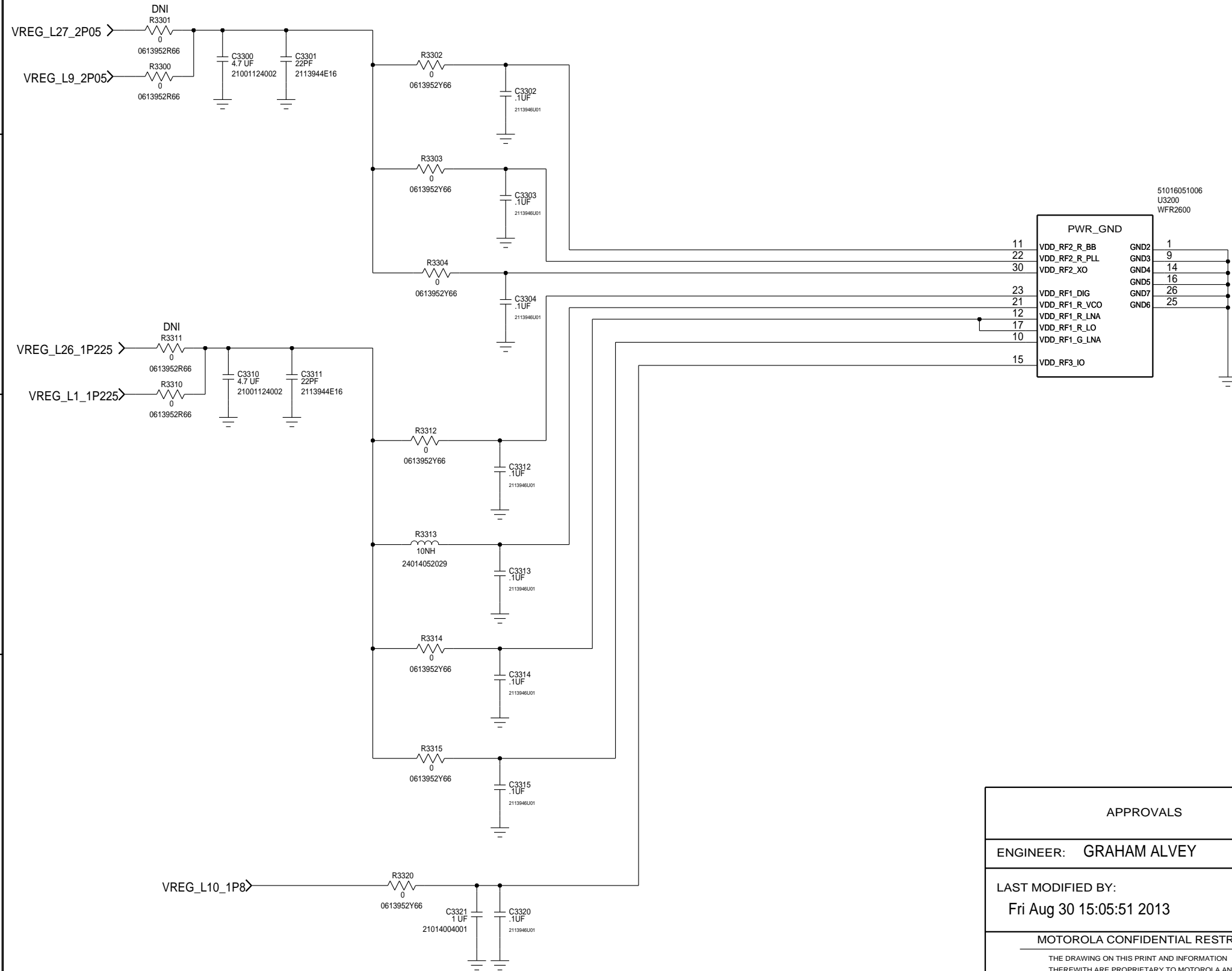


BASED ON 80-N5420-45 REV. C

| | | | |
|---|--|-----------------------------------|-----|
| APPROVALS | | MOTOROLA MOBILE DEVICES | |
| ENGINEER: GRAHAM ALVEY | | BLOCK TITLE: | |
| LAST MODIFIED BY: Fri Aug 30 15:05:50 2013 | | block_wfr2600 | |
| MOTOROLA CONFIDENTIAL RESTRICTED <small>THE DRAWING ON THIS PRINT AND INFORMATION THEREWITH ARE PROPRIETARY TO MOTOROLA AND SHALL NOT BE USED OR DISCUSSED IN WHOLE OR IN PART WITHOUT MOTOROLA'S CONSENT. © COPYRIGHT, MOTOROLA. THIS DOES NOT IMPLY PUBLICATION</small> | | PROJECT NAME | REV |
| | | B 8226_ref_dsda.cpm | 01 |
| | | CAD FILE NAME: | |
| | | PAGE 31 OF 37 | |

WFR2600 POWER

REF 3300-3399



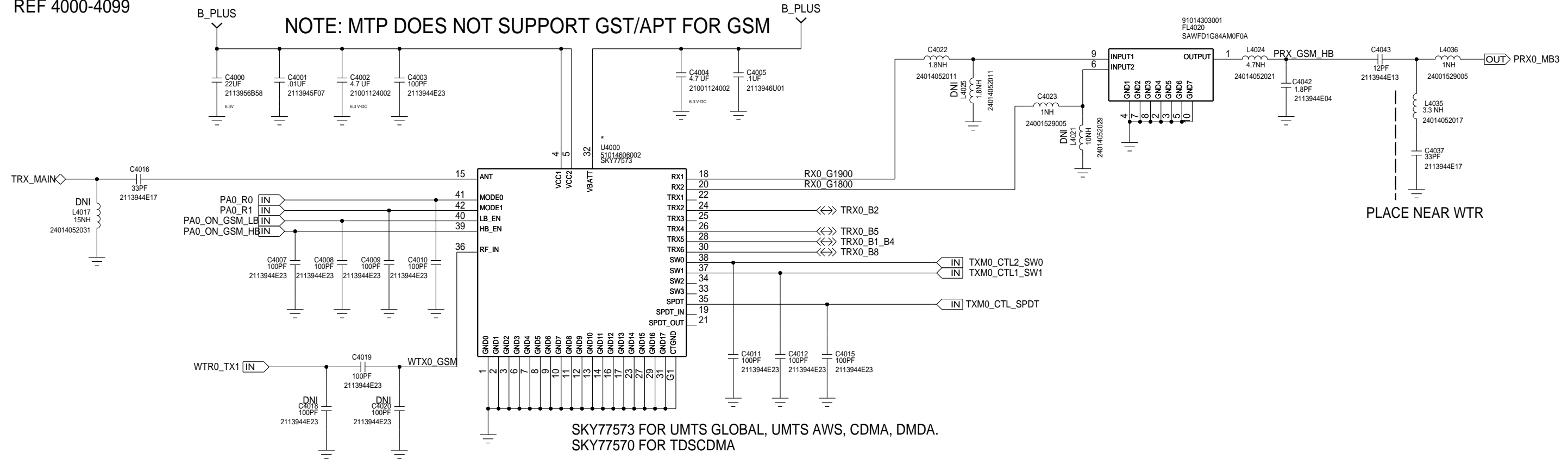
BASED ON 80-5420-45 REV. C

| | | | |
|---|--|--|---------------|
| APPROVALS | | MOTOROLA MOBILE DEVICES | |
| ENGINEER: GRAHAM ALVEY | | BLOCK TITLE: | |
| LAST MODIFIED BY: | | block_wfr2600 | |
| Fri Aug 30 15:05:51 2013 | | | |
| MOTOROLA CONFIDENTIAL RESTRICTED <small>THE DRAWING ON THIS PRINT AND INFORMATION THEREWITH ARE PROPRIETARY TO MOTOROLA AND SHALL NOT BE USED OR DISCUSSED IN WHOLE OR IN PART WITHOUT MOTOROLA'S CONSENT. © COPYRIGHT, MOTOROLA. THIS DOES NOT IMPLY PUBLICATION</small> | | PROJECT NAME B 8226_ref_dsda.cpm | REV 01 |
| | | CAD FILE NAME: | PAGE 32 OF 37 |

RFFE:TXM+GPS

REF 4000-4099

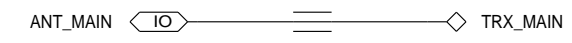
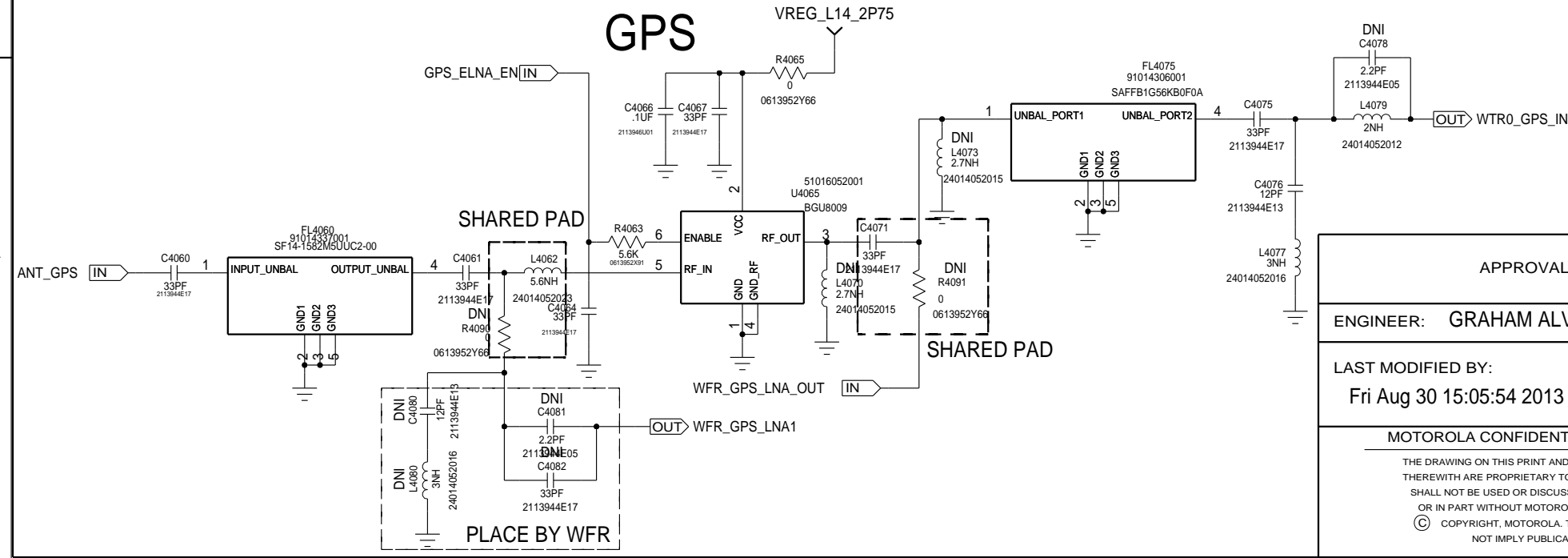
NOTE: MTP DOES NOT SUPPORT GST/APT FOR GSM



SKY7753 FOR UMTS GLOBAL, UMTS AWS, CDMA, DMDA.
SKY77570 FOR TDSCDMA

PLACE NEAR WTR

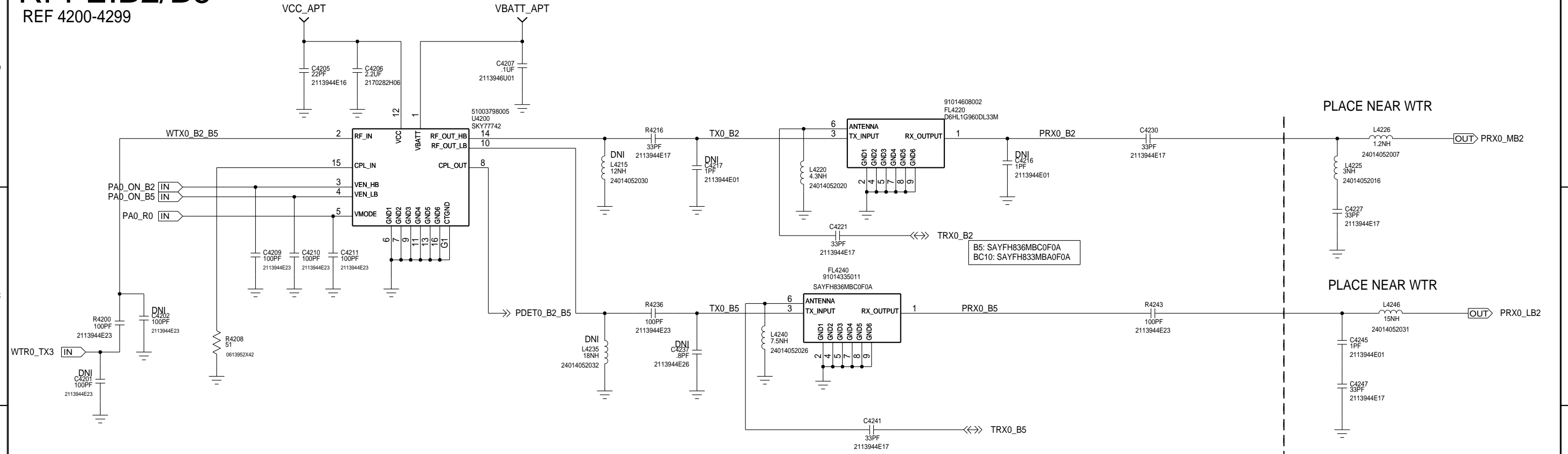
GPS



| | | | |
|--|--|---------------------------------------|-----------|
| APPROVALS | | MOTOROLA MOBILE DEVICES | |
| ENGINEER: GRAHAM ALVEY | | BLOCK TITLE: block_rfe_dsda | |
| LAST MODIFIED BY: Fri Aug 30 15:05:54 2013 | | | |
| MOTOROLA CONFIDENTIAL RESTRICTED | | | |
| <small>THE DRAWING ON THIS PRINT AND INFORMATION THEREWITH ARE PROPRIETARY TO MOTOROLA AND SHALL NOT BE USED OR DISCUSSED IN WHOLE OR IN PART WITHOUT MOTOROLA'S CONSENT. © COPYRIGHT, MOTOROLA. THIS DOES NOT IMPLY PUBLICATION</small> | | | |
| | | PROJECT NAME B 8226_ref_dsda.cpm | REV 01 |
| | | CAD FILE NAME: | |
| | | PAGE 34 OF 37 | |

RFFE:B2/B5

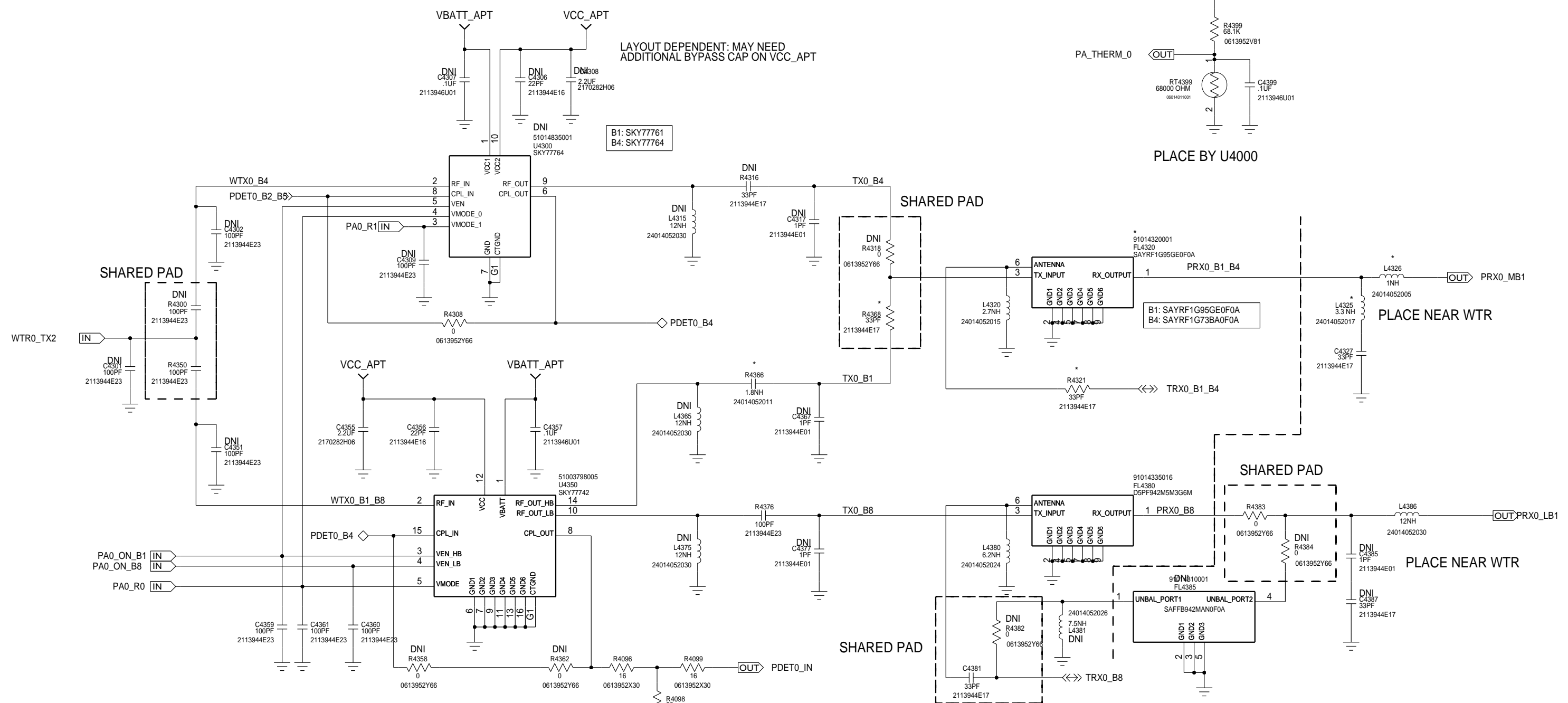
REF 4200-4299



| | | | |
|--|--|--|------------------|
| APPROVALS | | MOTOROLA MOBILE DEVICES | |
| ENGINEER: GRAHAM ALVEY | | BLOCK TITLE: block_rfe_dsda | |
| LAST MODIFIED BY: Fri Aug 30 15:05:56 2013 | | | |
| MOTOROLA CONFIDENTIAL RESTRICTED <small>THE DRAWING ON THIS PRINT AND INFORMATION THEREWITH ARE PROPRIETARY TO MOTOROLA AND SHALL NOT BE USED OR DISCUSSED IN WHOLE OR IN PART WITHOUT MOTOROLA'S CONSENT. © COPYRIGHT, MOTOROLA. THIS DOES NOT IMPLY PUBLICATION</small> | | PROJECT NAME B 8226_ref_dsda.cpm | REV 01 |
| | | CAD FILE NAME: | |
| | | PAGE 35 OF 37 | |

RFFE:B1/B8+B4

REF 4300-4399



| VARIANT | R4308 | R4309 | R4358 | R4362 |
|-------------|-------|-------|-------|-------|
| UMTS GLOBAL | 0 OHM | DNI | DNI | DNI |
| UMTS AWS | DNI | DNI | 0 OHM | 0 OHM |
| CDMA | DNI | DNI | 0 OHM | 0 OHM |

APPROVALS

ENGINEER: GRAHAM ALVEY

LAST MODIFIED BY:
Fri Aug 30 15:05:57 2013

MOTOROLA CONFIDENTIAL RESTRICTED

THE DRAWING ON THIS PRINT AND INFORMATION THEREWITH ARE PROPRIETARY TO MOTOROLA AND SHALL NOT BE USED OR DISCUSSED IN WHOLE OR IN PART WITHOUT MOTOROLA'S CONSENT.
© COPYRIGHT, MOTOROLA. THIS DOES NOT IMPLY PUBLICATION

MOTOROLA
MOBILE DEVICES

BLOCK TITLE:
block_rfe_dsda

PROJECT NAME: 8226_ref_dsda.cpm

REV: 01

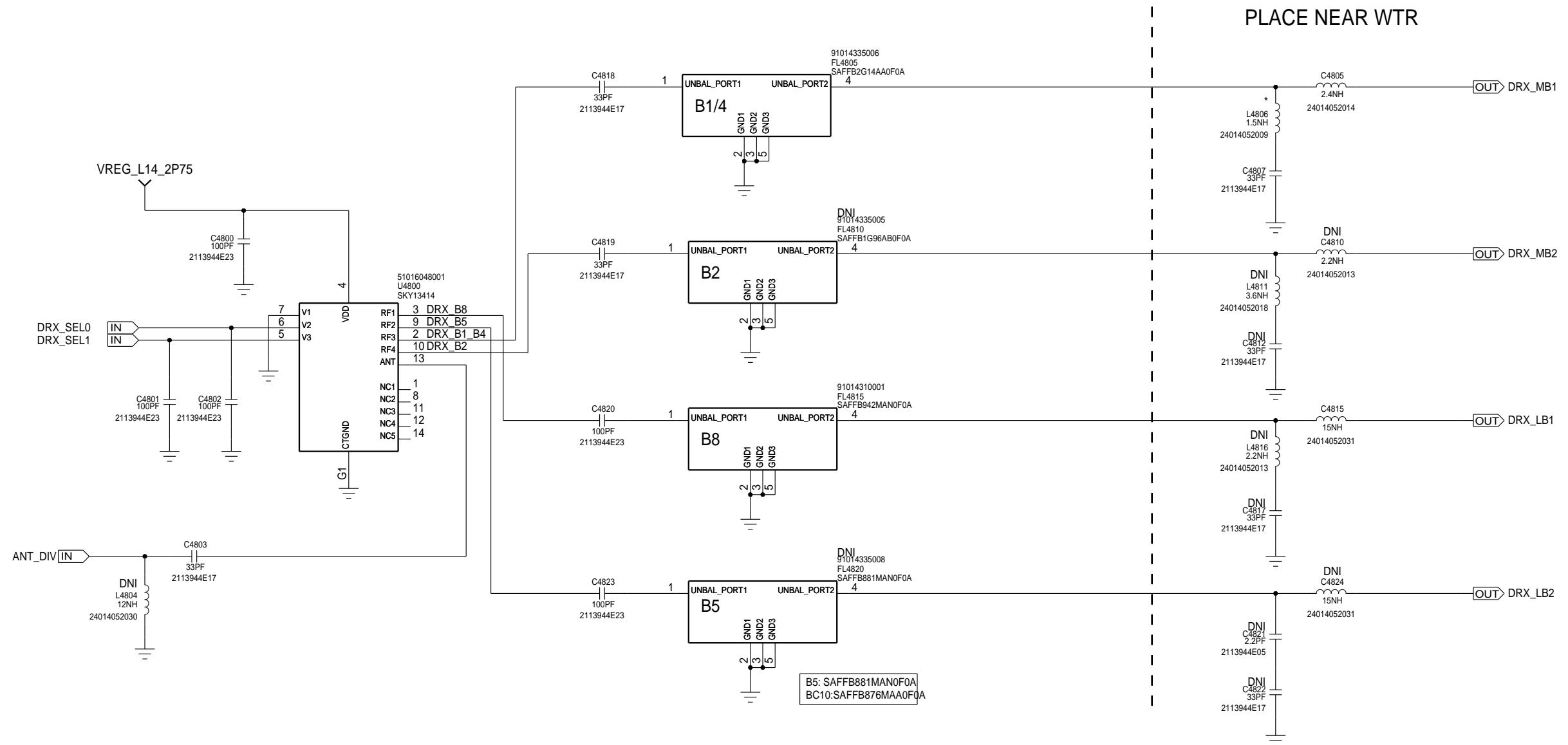
CAD FILE NAME:

PAGE 36 OF 37

RFFE: DIVERSITY

REF 4800-4899

WFR DIVERSITY - B1/B2/B5/B8



B5: SAFFB881MAN0F0A
BC10: SAFFB876MAA0F0A

| | | | |
|--|--|--|------------------|
| APPROVALS | | MOTOROLA MOBILE DEVICES | |
| ENGINEER: GRAHAM ALVEY | | BLOCK TITLE: | |
| LAST MODIFIED BY: Fri Aug 30 15:05:58 2013 | | block_rfe_dsda | |
| MOTOROLA CONFIDENTIAL RESTRICTED <small>THE DRAWING ON THIS PRINT AND INFORMATION THEREWITH ARE PROPRIETARY TO MOTOROLA AND SHALL NOT BE USED OR DISCUSSED IN WHOLE OR IN PART WITHOUT MOTOROLA'S CONSENT. © COPYRIGHT, MOTOROLA. THIS DOES NOT IMPLY PUBLICATION</small> | | PROJECT NAME B 8226_ref_dsda.cpm | REV 01 |
| | | CAD FILE NAME: | |
| | | PAGE 37 OF 37 | |