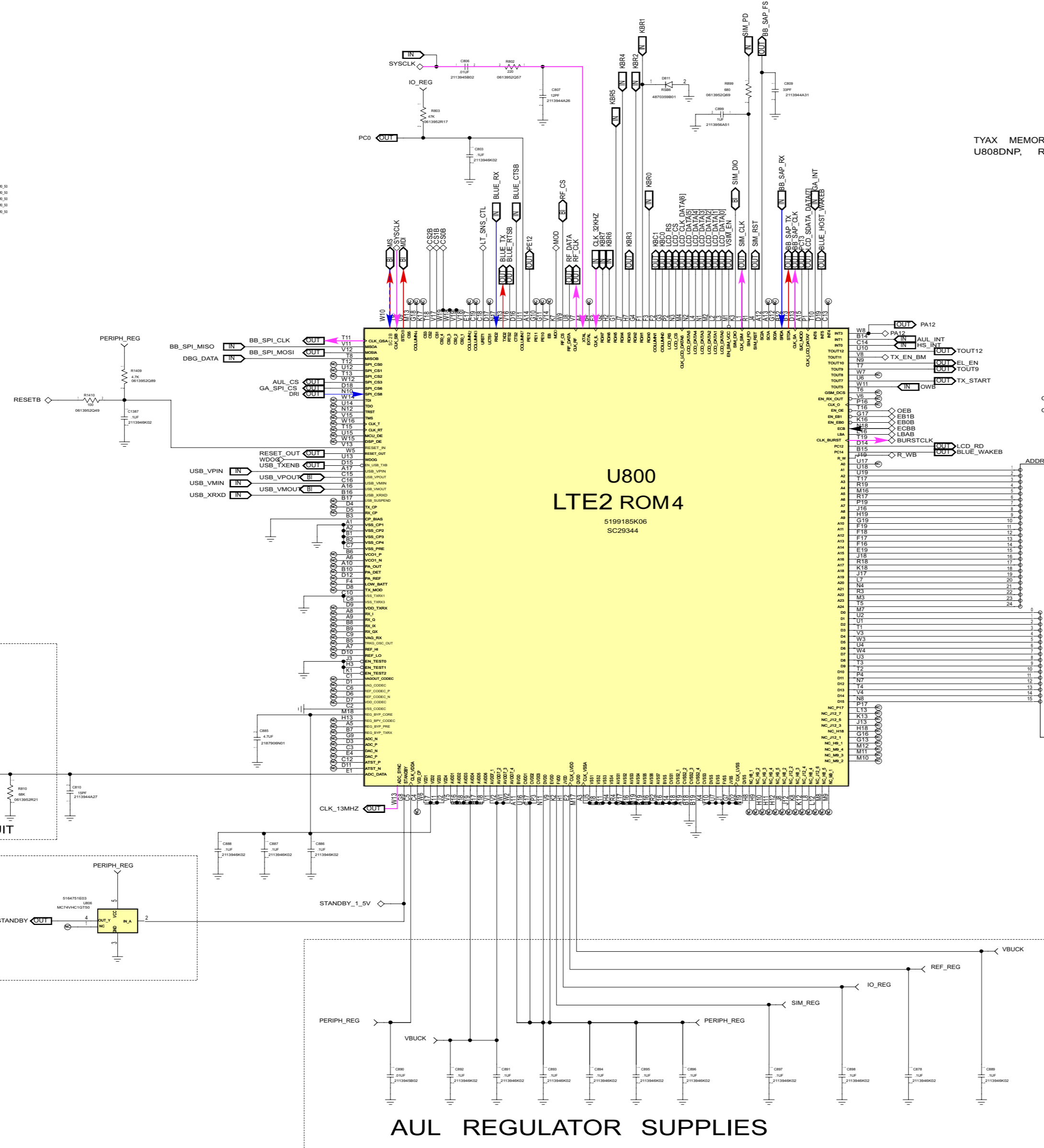
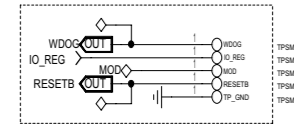


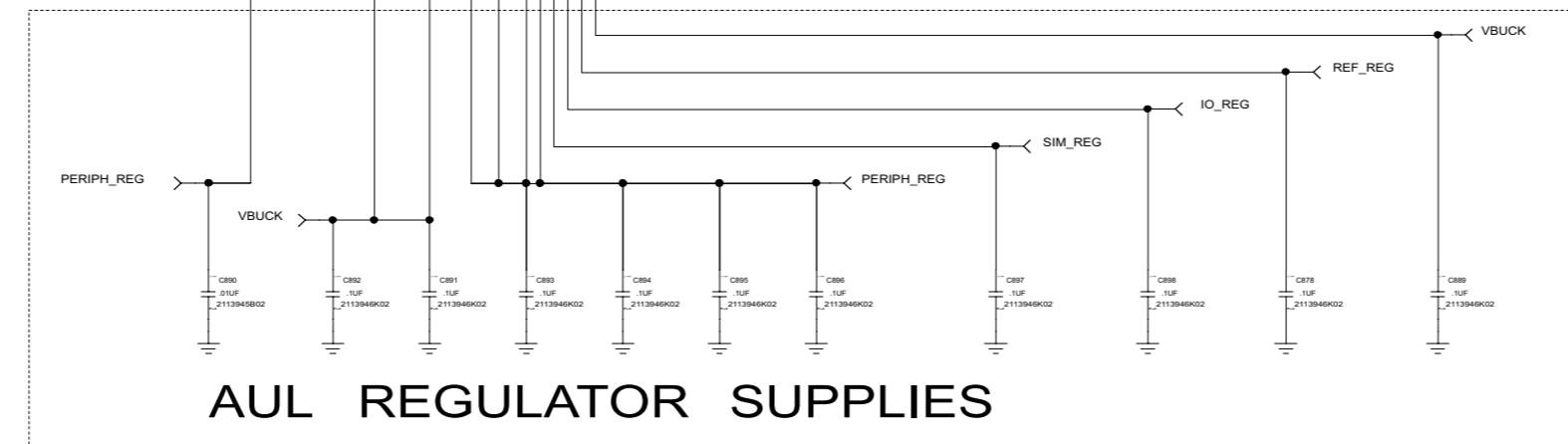
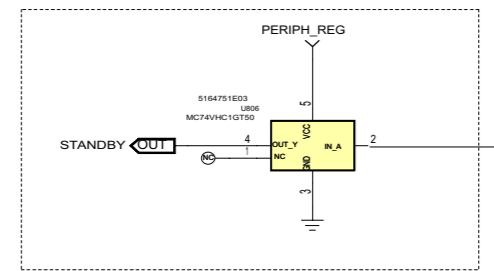
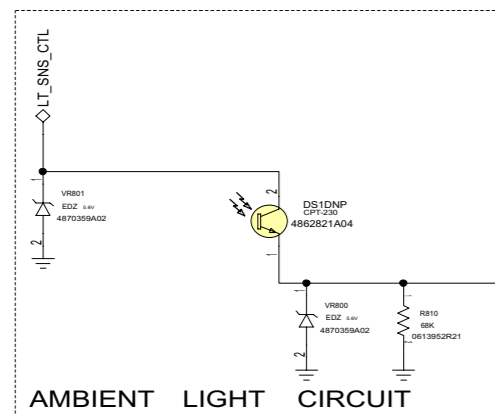
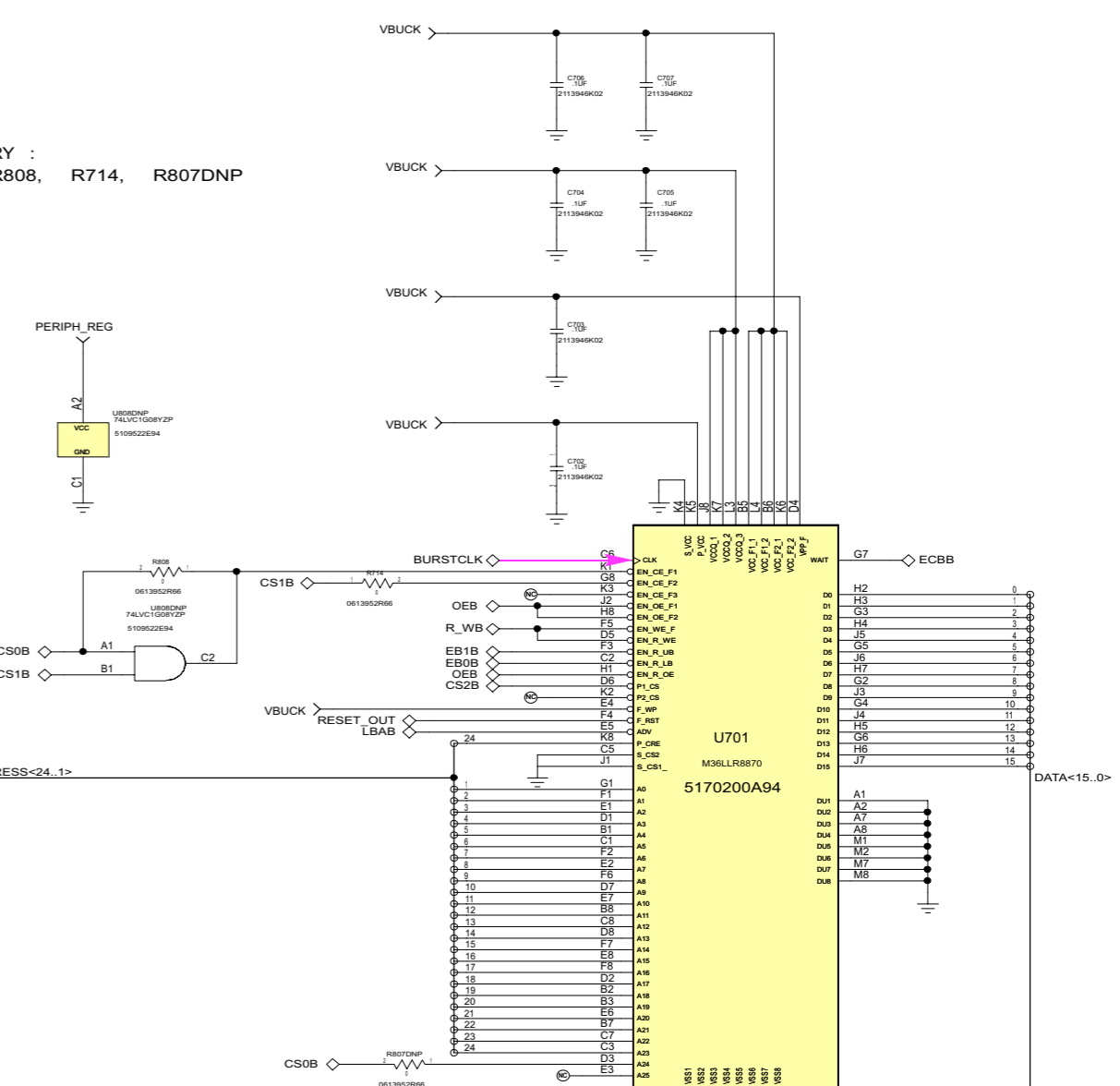
W510_ 8471433A01

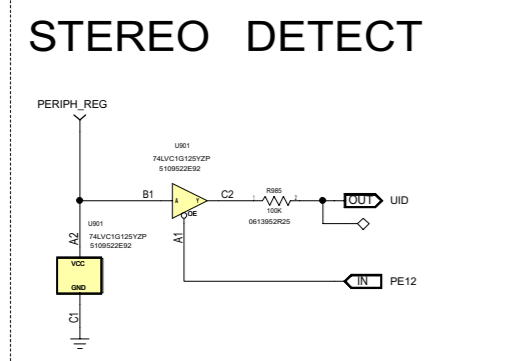
Service Engineering & Optimization
Level 3 Authorized

Service Engineering & Optimization	2007.01.26
Level 3 Schematics	Rev. O
W510	8471433A01
	Page 1 of 5

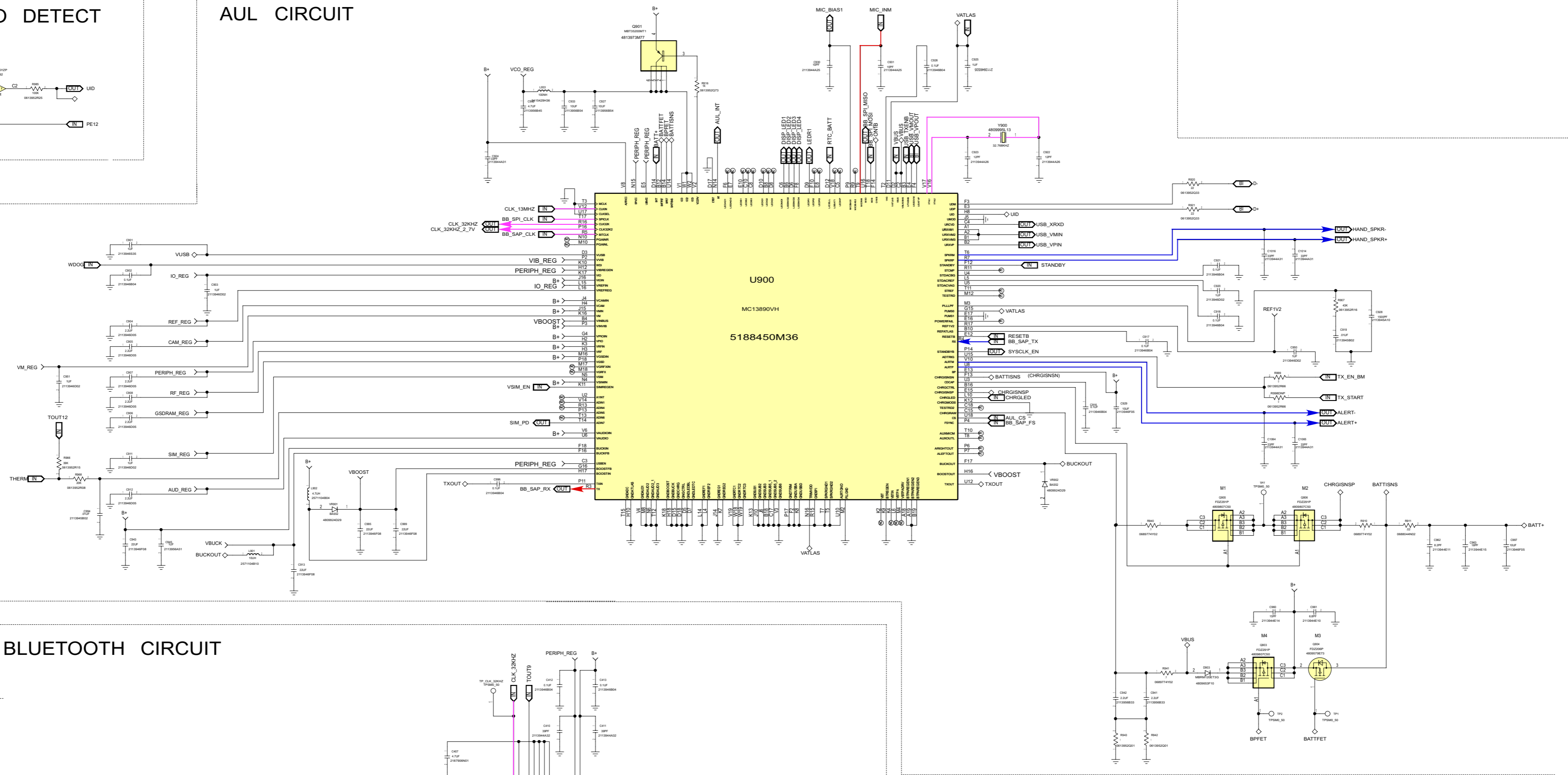


TYAX MEMORY :
U808DNP, R808, R714, R807DNP

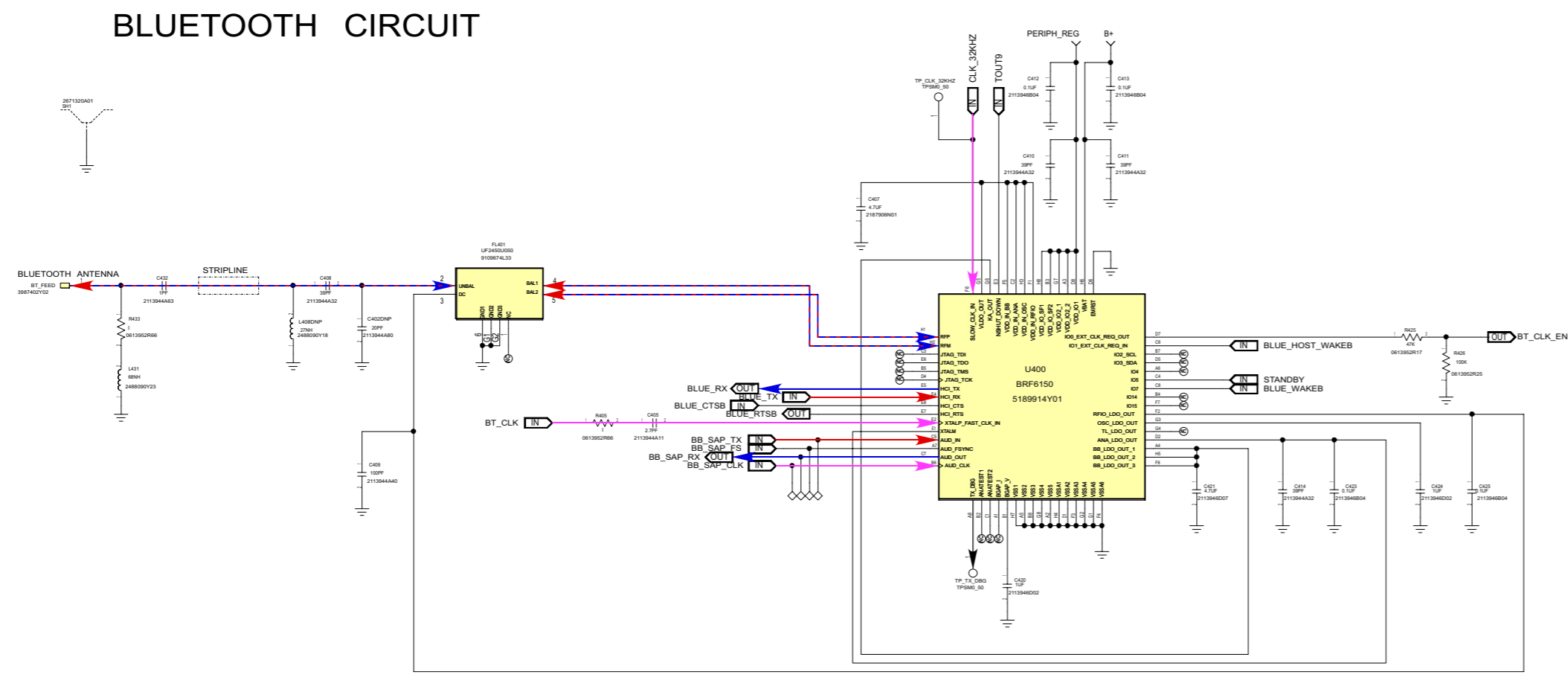


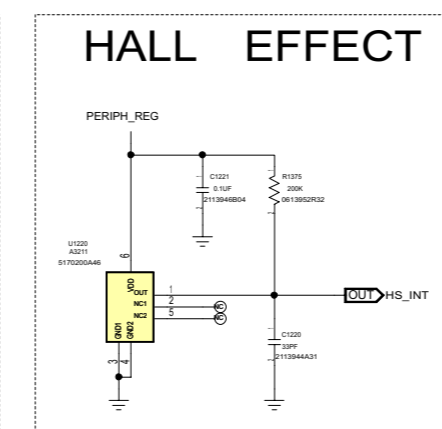
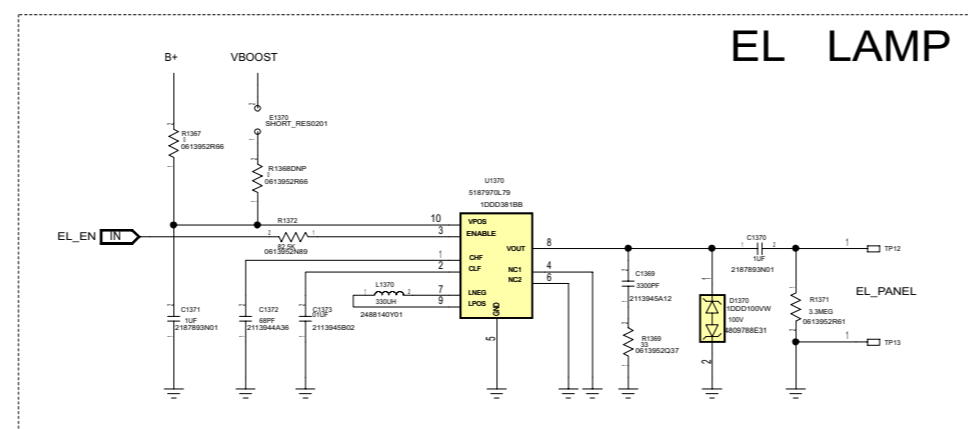
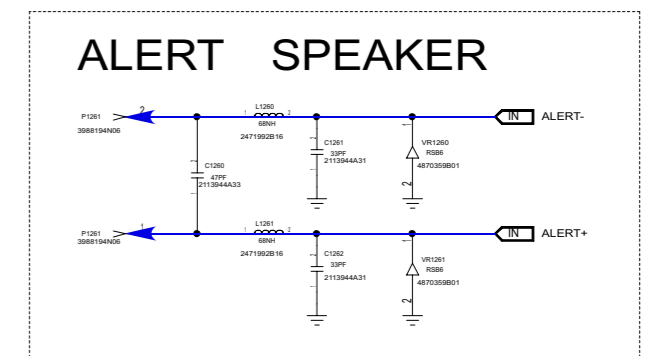
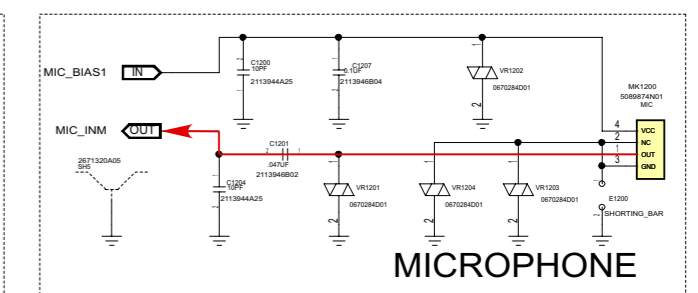
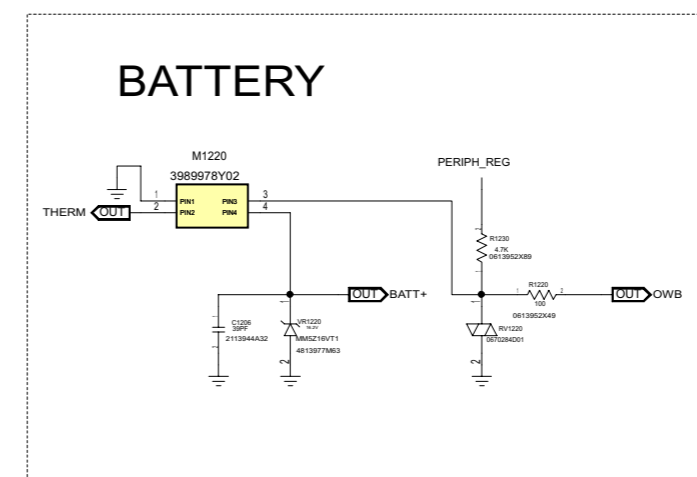
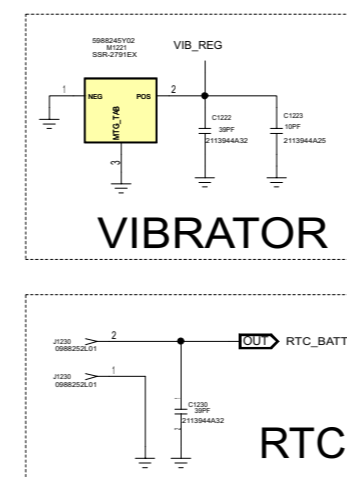
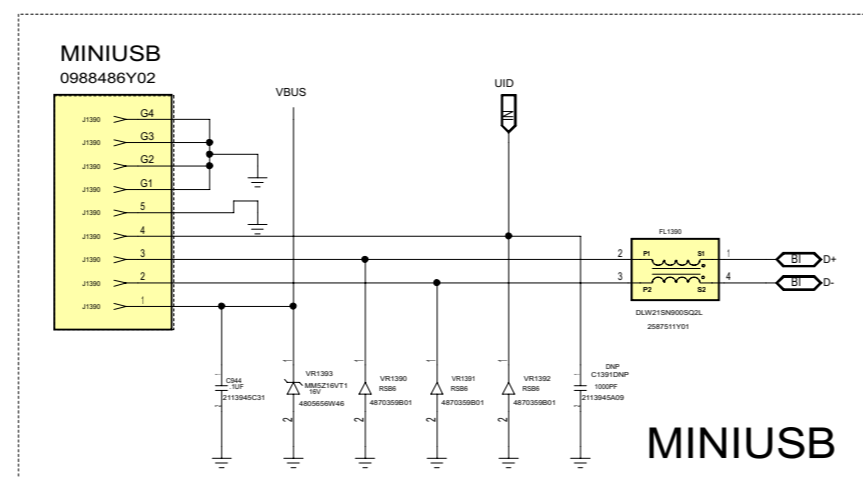
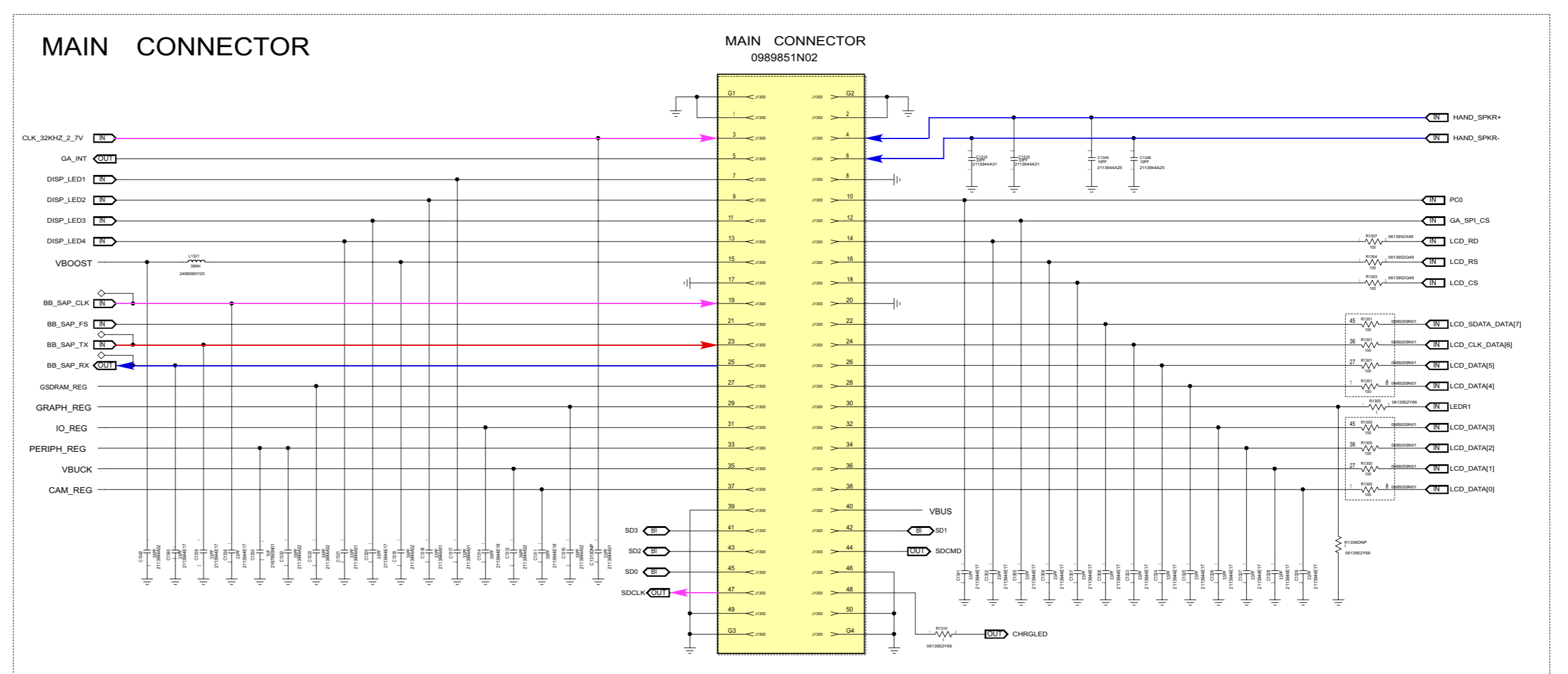
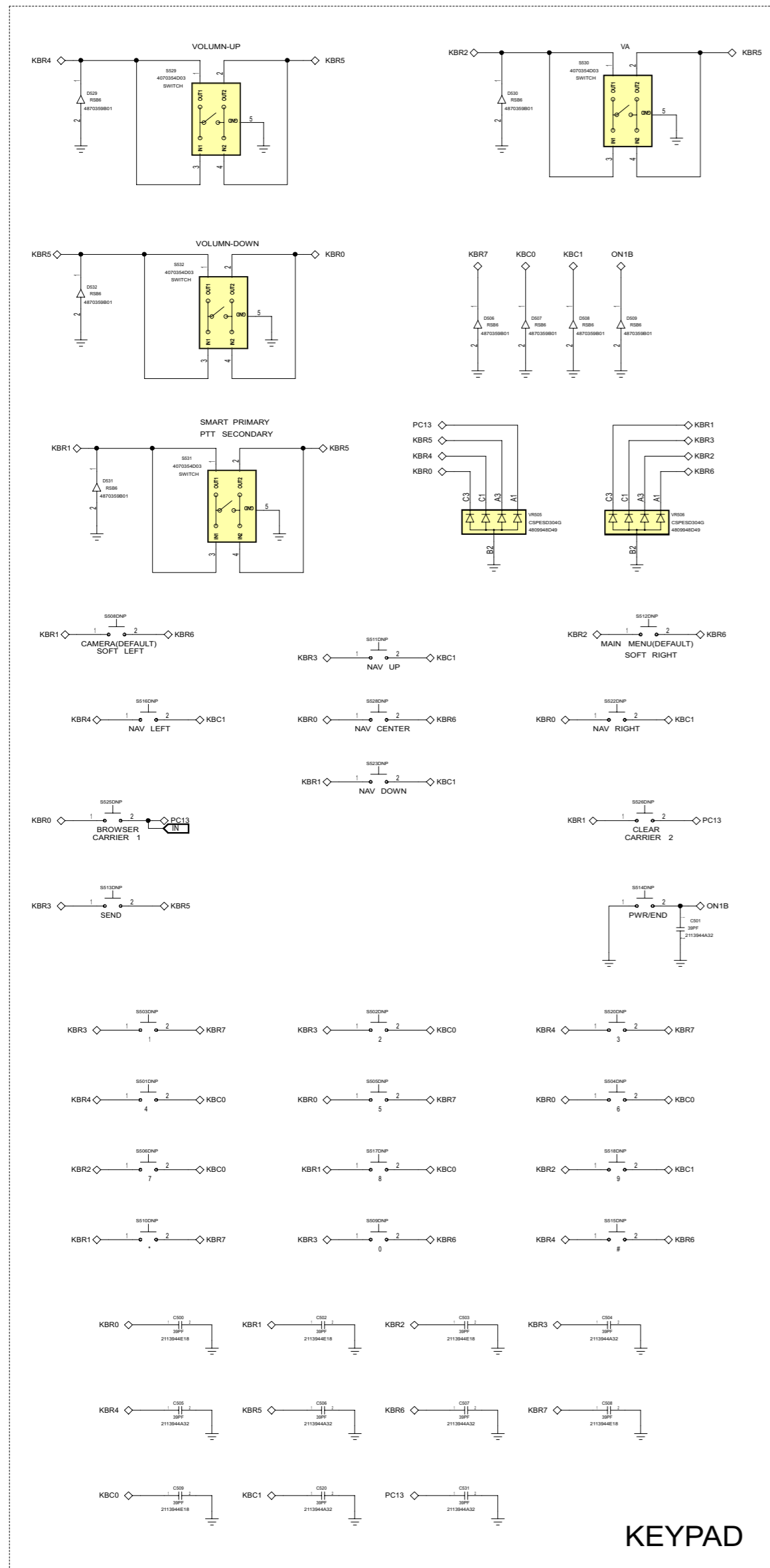


AUL CIRCUIT



BLUETOOTH CIRCUIT

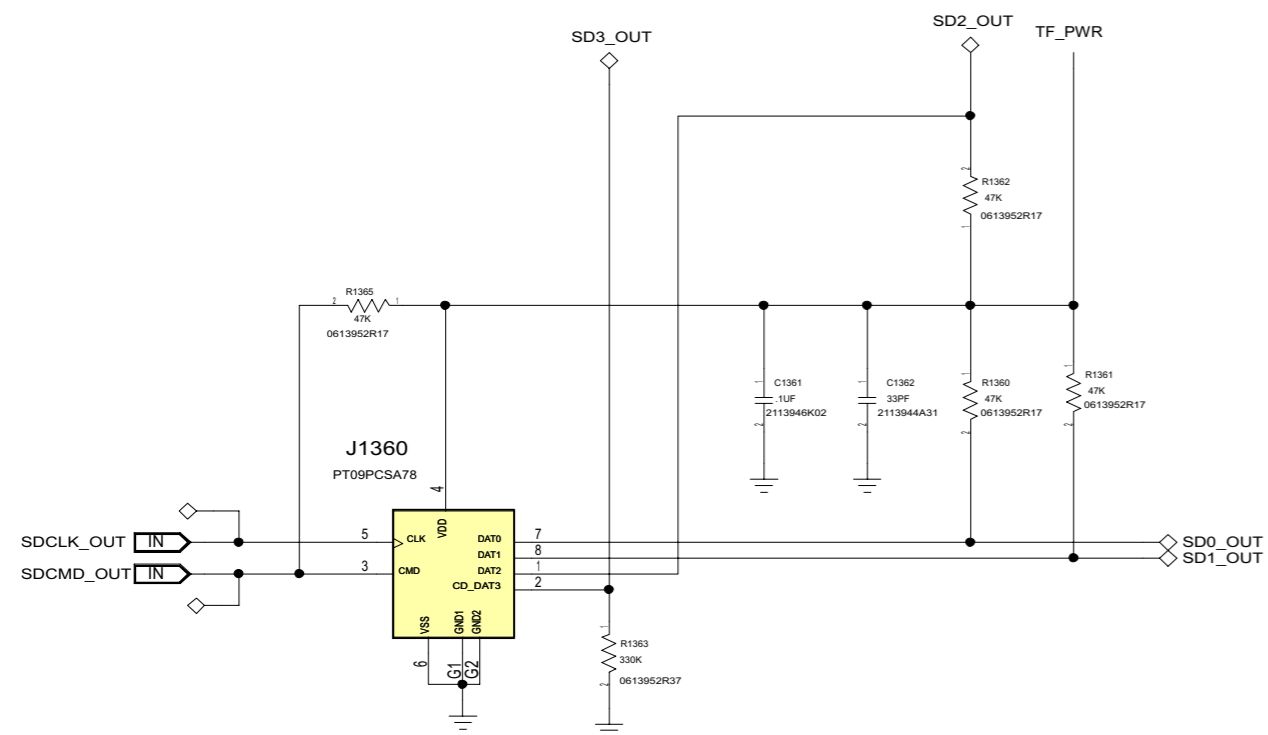




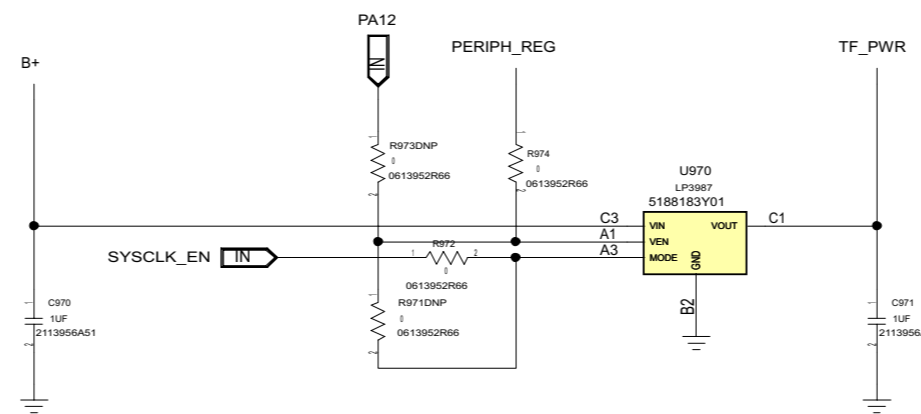
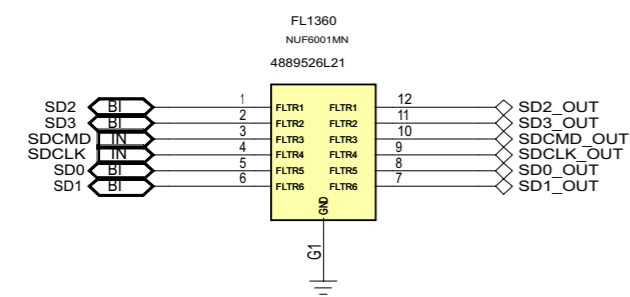
W510_8471433A01

Service Engineering & Optimization
Level 3 Authorized

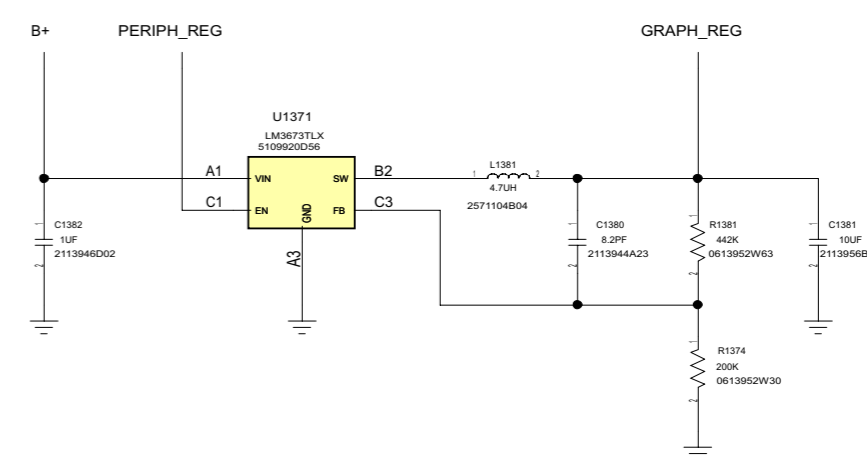
Service Engineering & Optimization	2007.01.26
Level 3 Schematics	Rev.O
W510	8471433A01
	Page 4 of 5



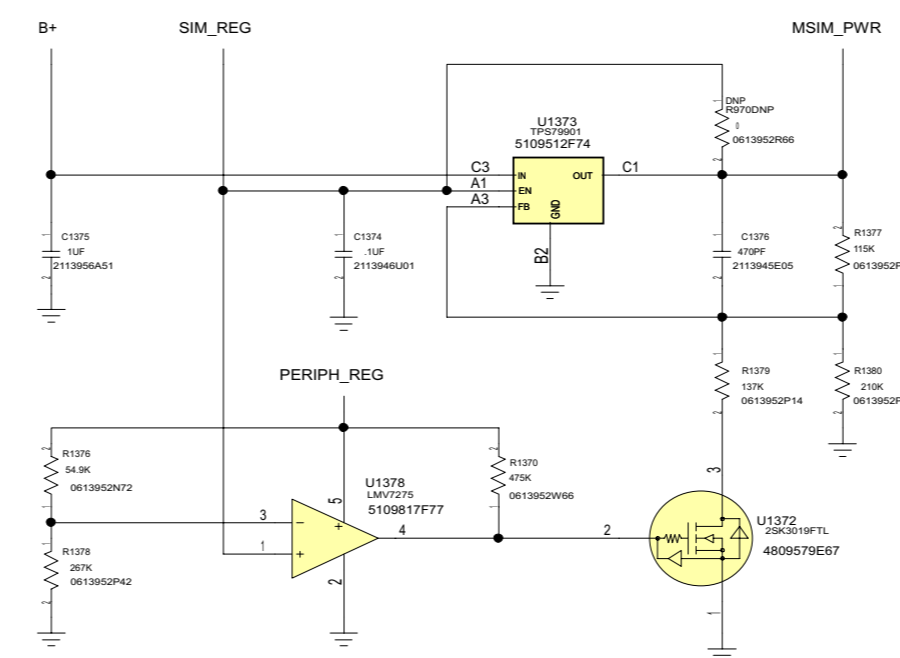
TRANSFLASH CONNECTED TO ATI



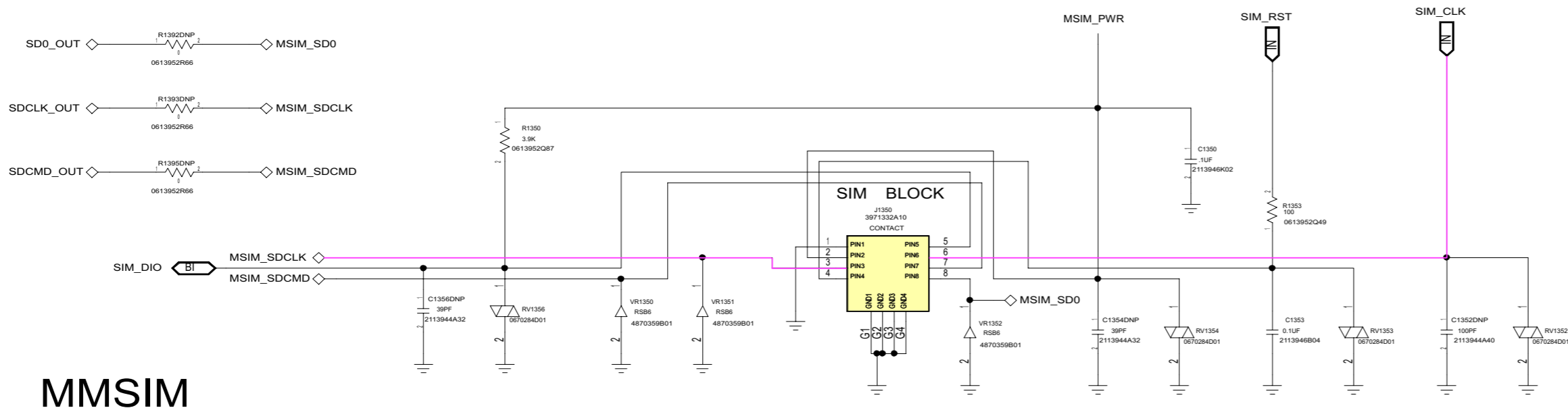
LDO FOR TF CARD



ATI CORE POWER SUPPLY



MSIM LDO



MMSIM