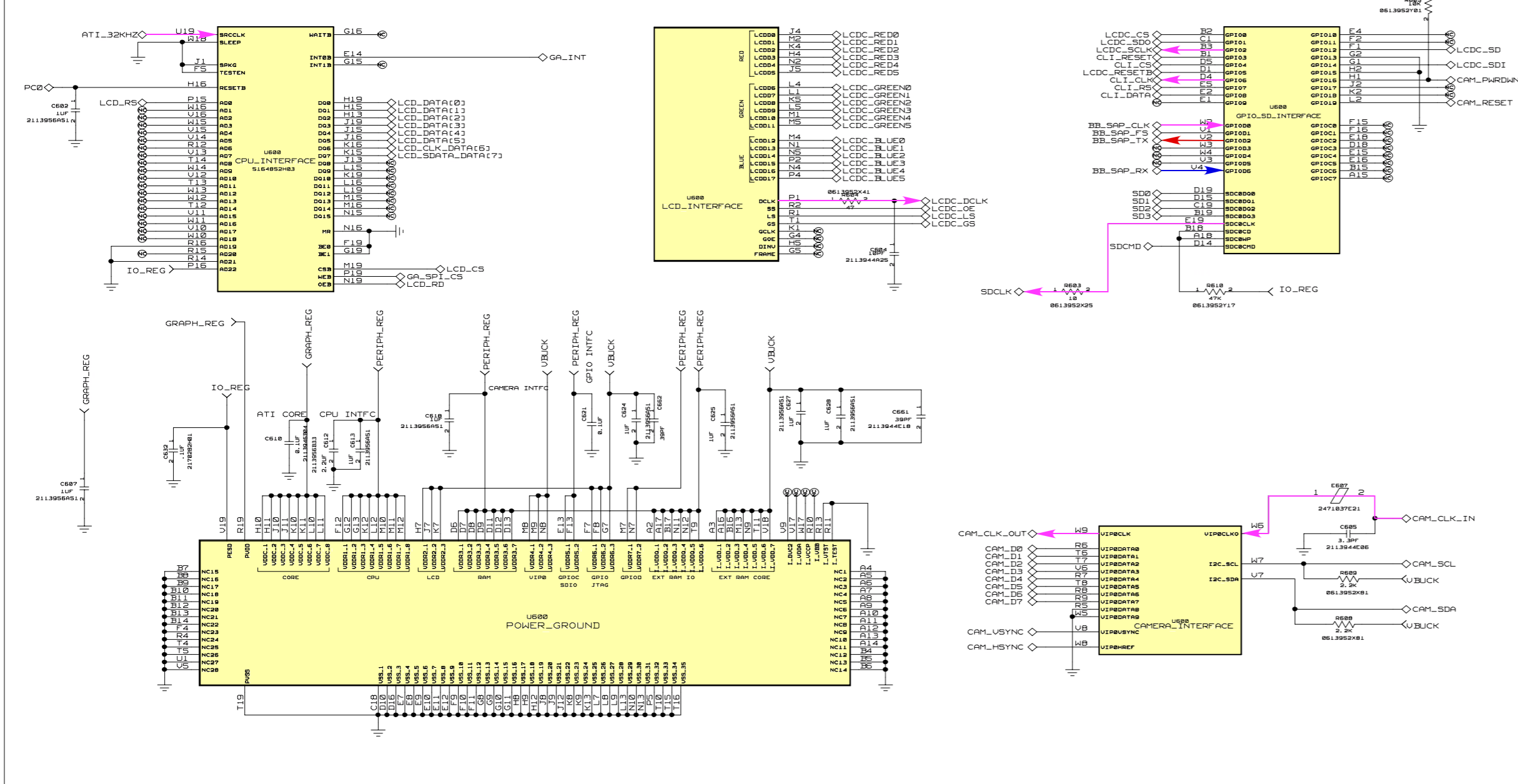
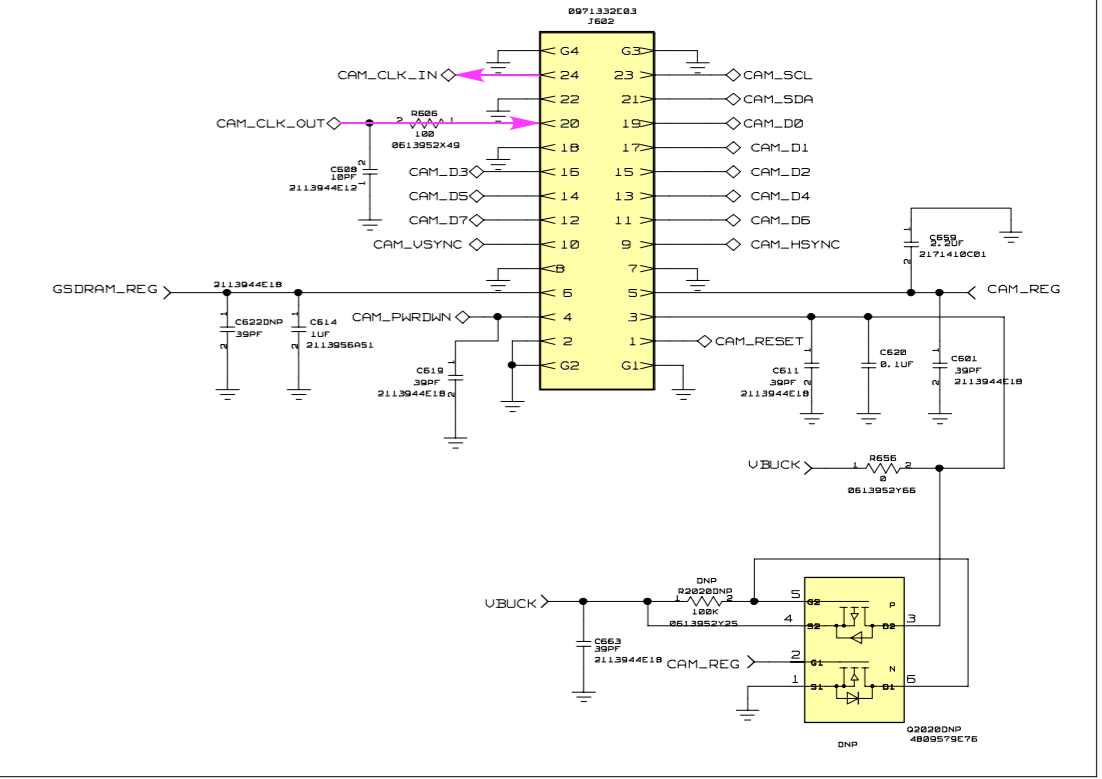


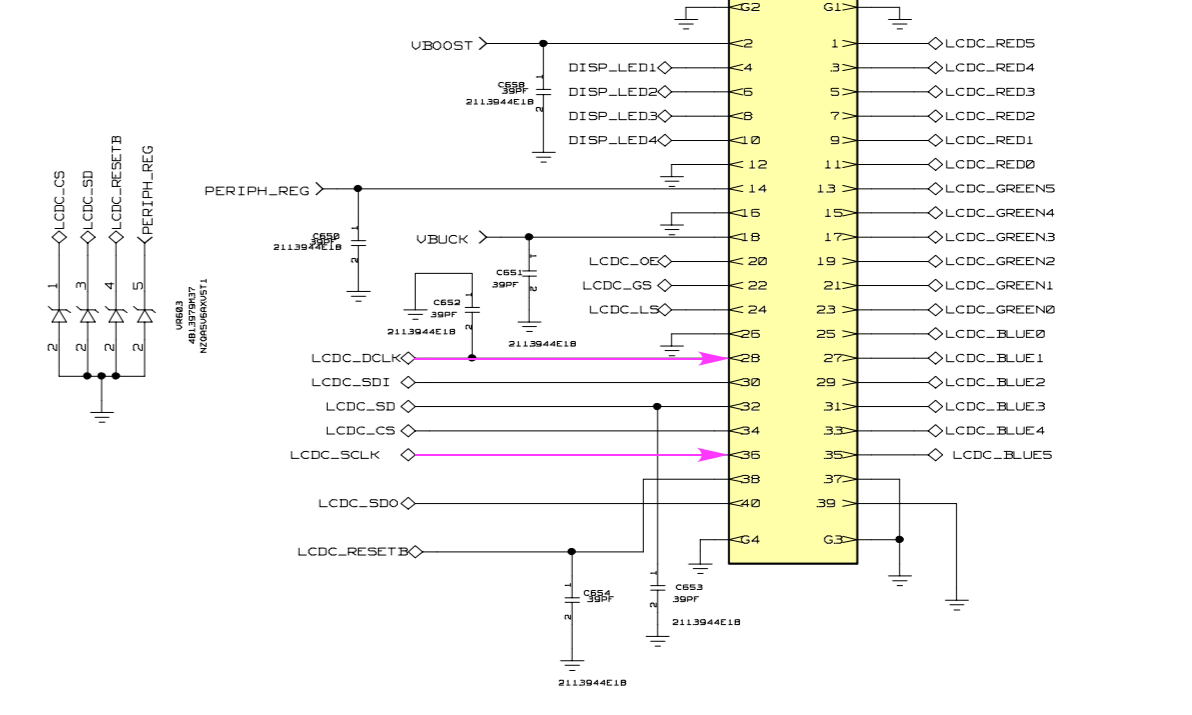
# ATI 2282



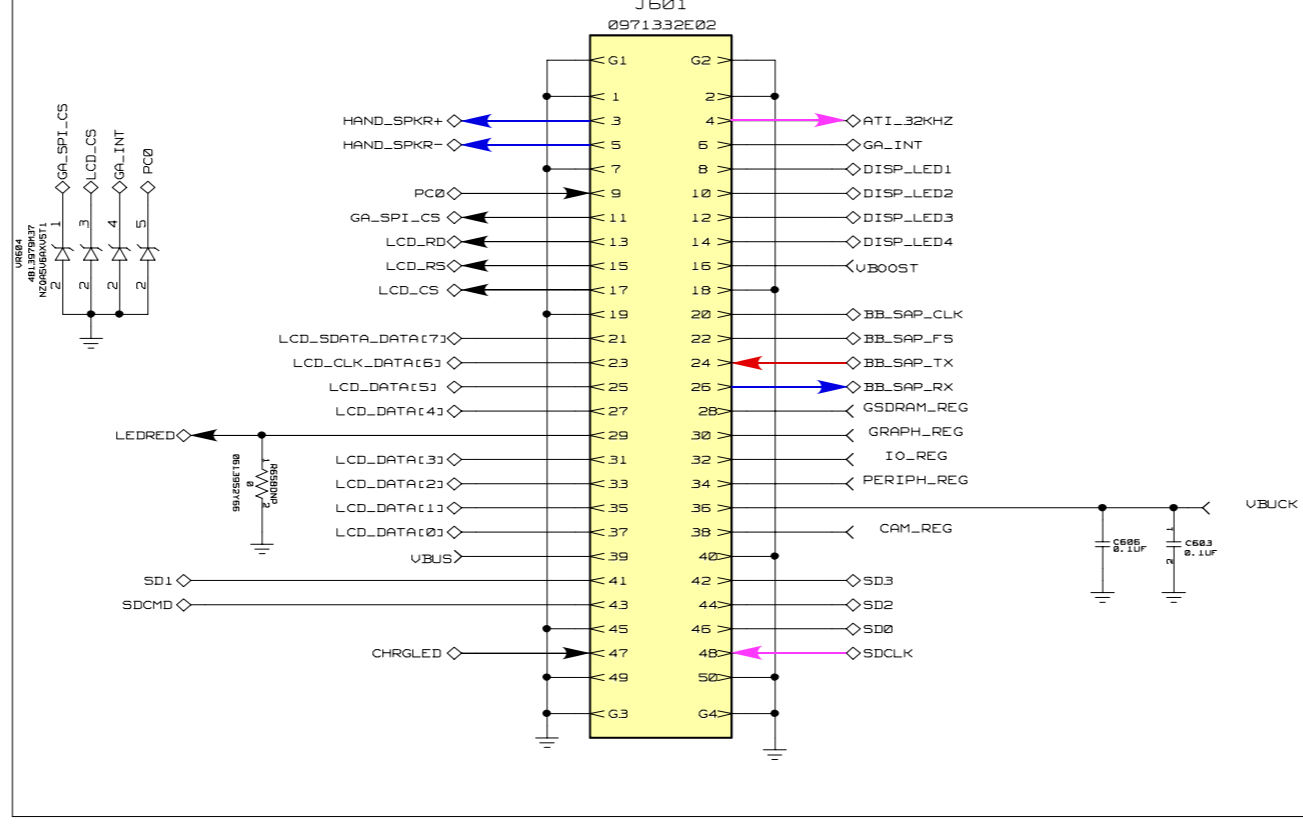
# 1.3MP CAMERA CONNECTOR



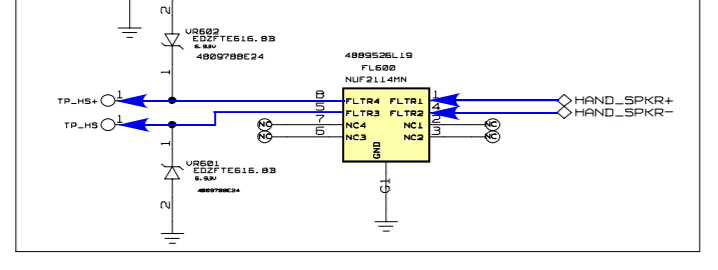
# MAIN DISPLAY CONNECTOR



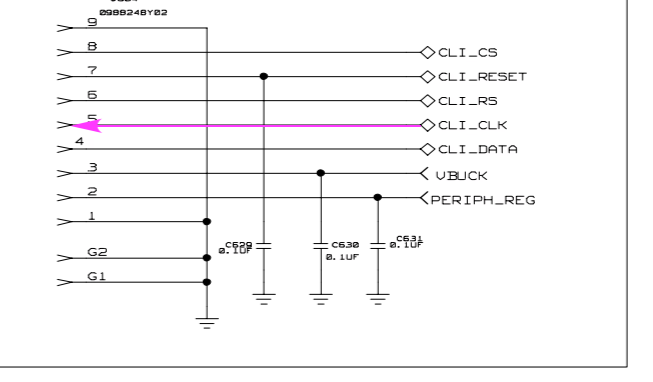
# HINGE FLEX CONNECTOR



# EAR SPEAKER



# CLI DISPLAY CONNECTOR



W510\_8471434A01

Service Engineering & Optimization  
Level 3 Authorized

Service Engineering & Optimization	2007.01.26
Level 3 Schematics	Rev. 0
W510	8471434A01
	Page 1 of 1