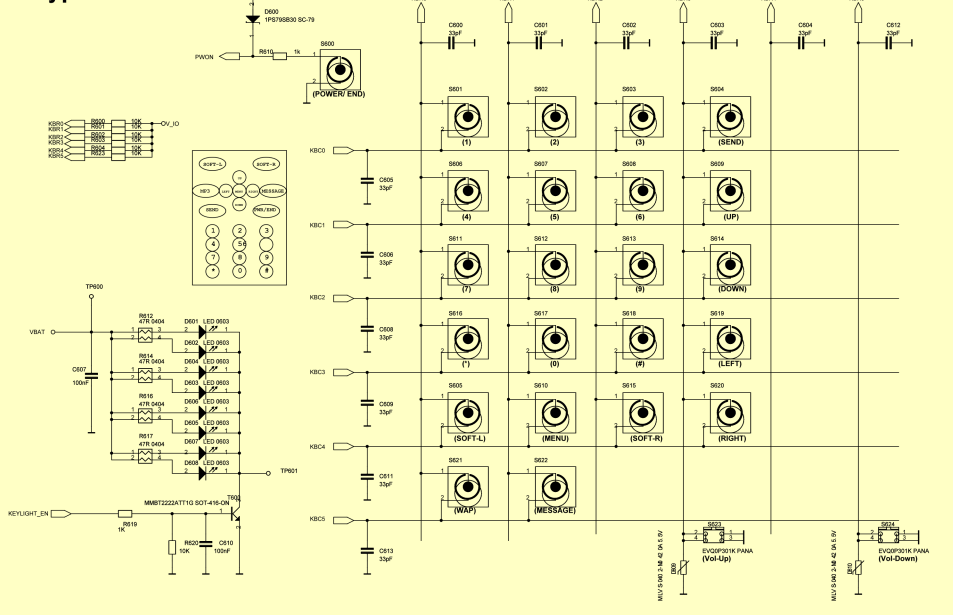
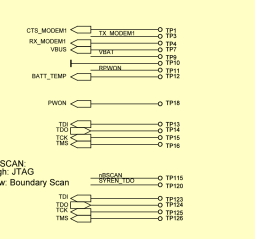


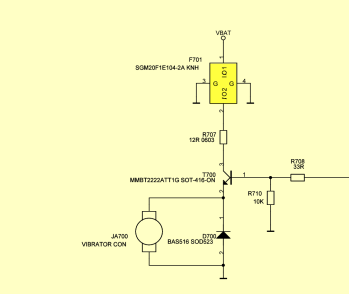
Keypad Circuit



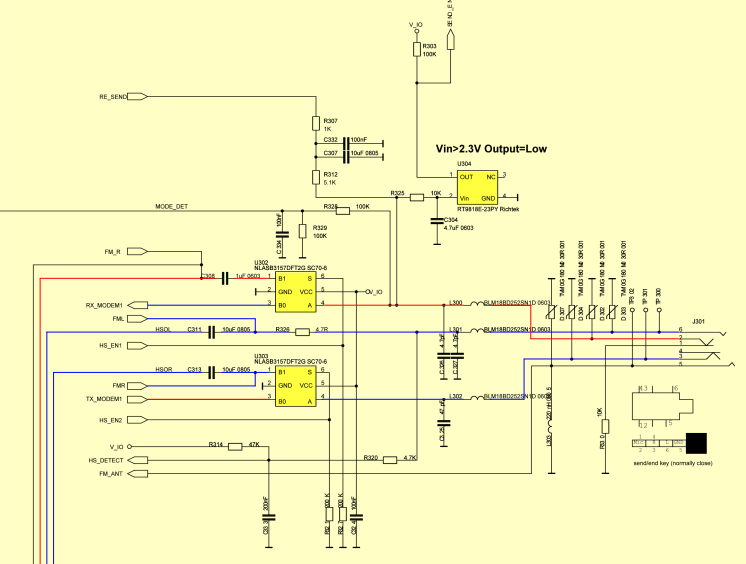
Test Point



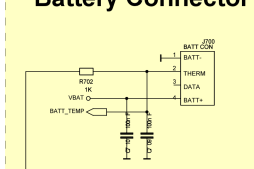
Vibrator Driver



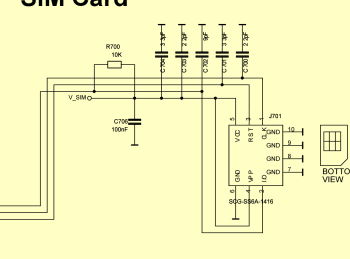
Headset & Data Cable



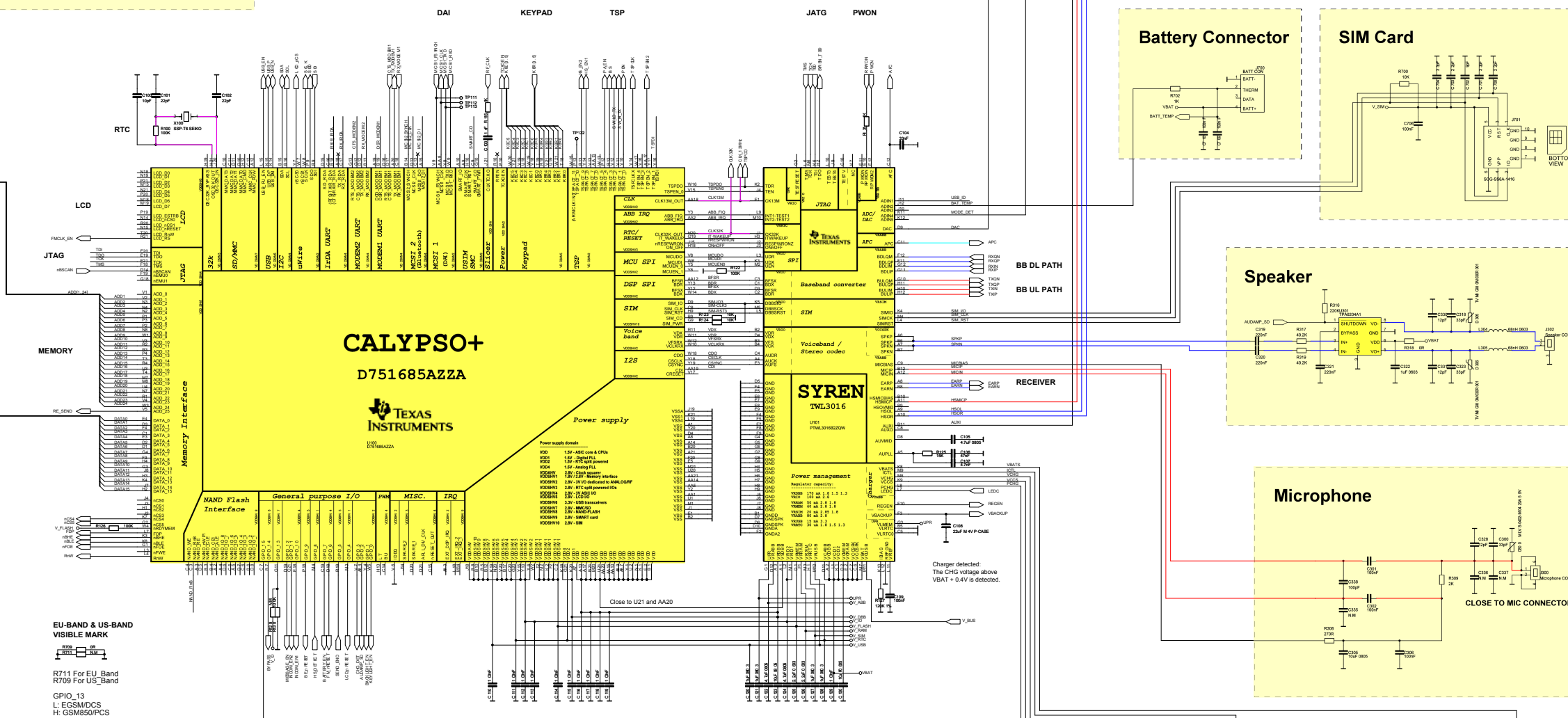
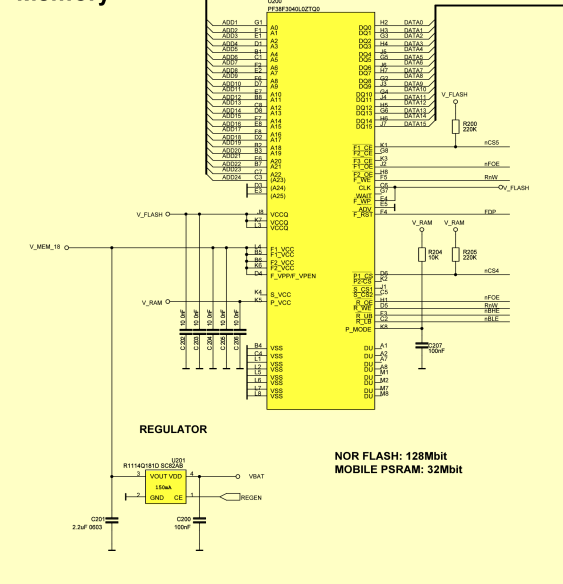
Battery Connector



SIM Card



Memory

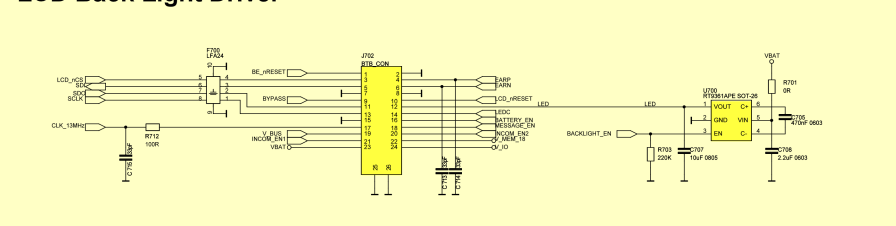


EU-BAND & US-BAND
VISIBLE MARK

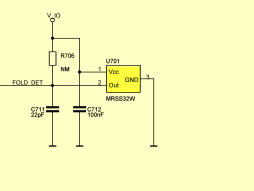
R711 For EU_Band
R709 For US_Band

GPIO_13
L: EGSM/DCS
H: GSM850/PCS

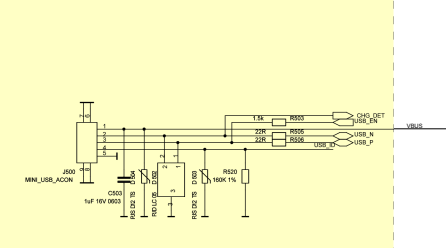
LCD Back Light Driver



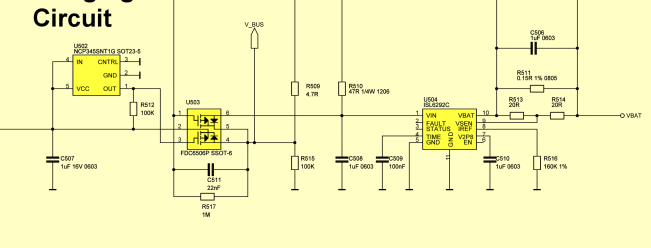
Folder Sensor



USB Connector

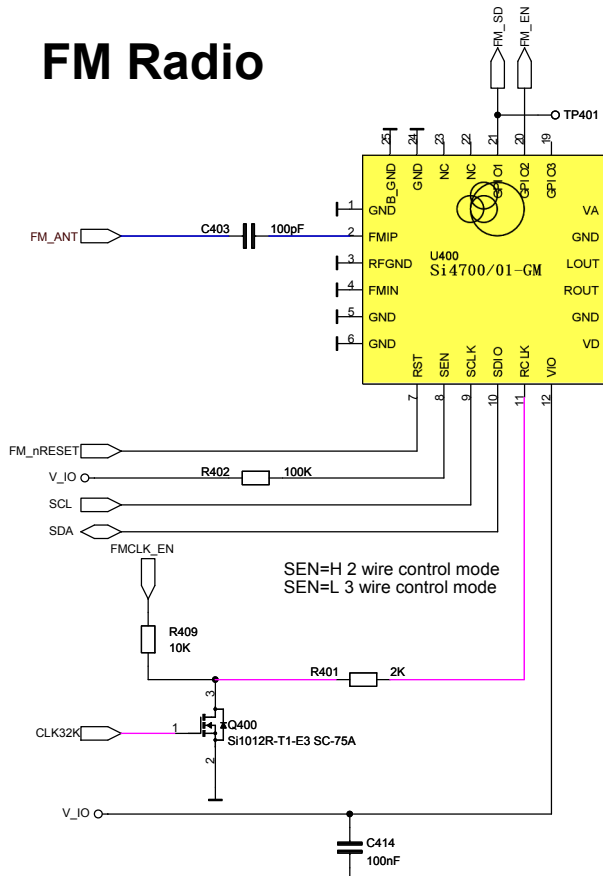


Charging Circuit

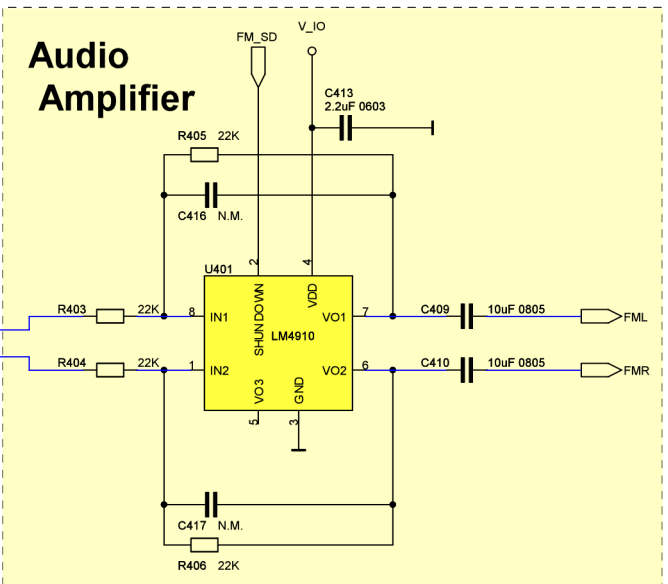


W375 US

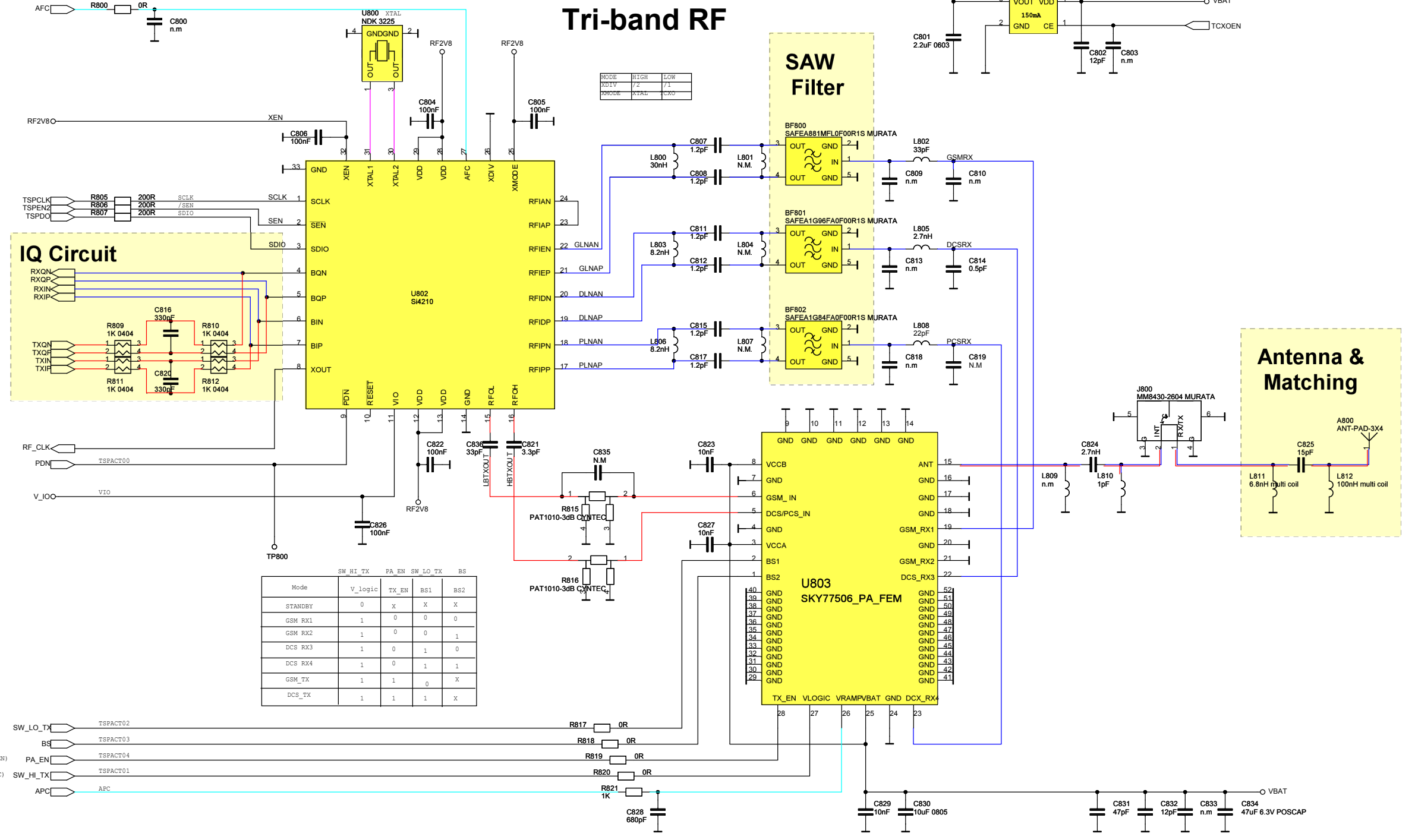
FM Radio



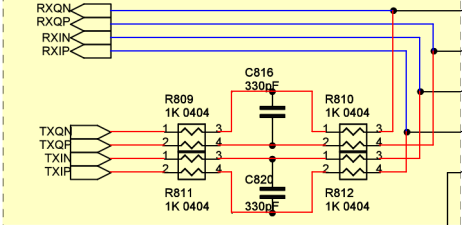
Audio Amplifier



Aero II & 77506 Tri-band RF

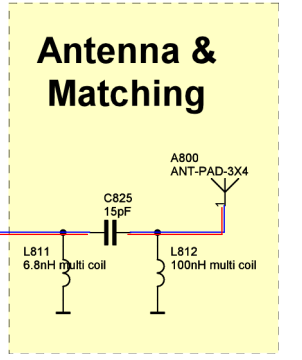


IQ Circuit

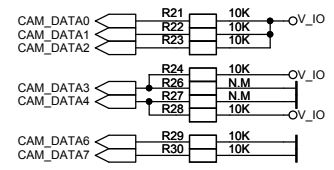
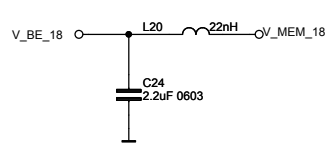


Mode	SW_HI_TX	PA_EN	SW_LO_TX	BS
STANDBY	0	X	X	X
GSM_RX1	1	0	0	0
GSM_RX2	1	0	0	1
DCS_RX3	1	0	1	0
DCS_RX4	1	0	1	1
GSM_TX	1	1	0	X
DCS_TX	1	1	1	X

Antenna & Matching

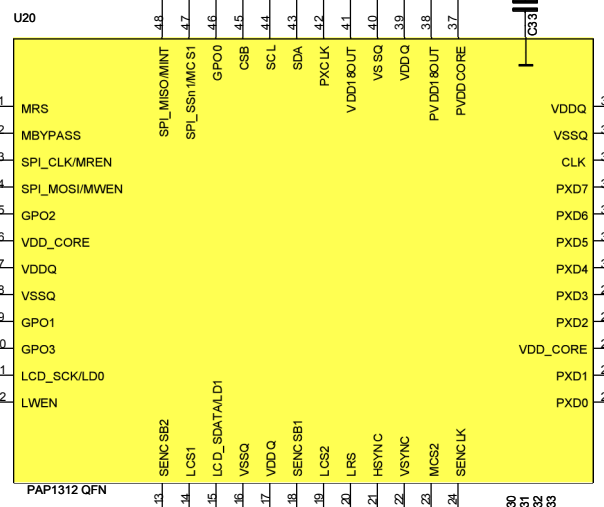


W375 US

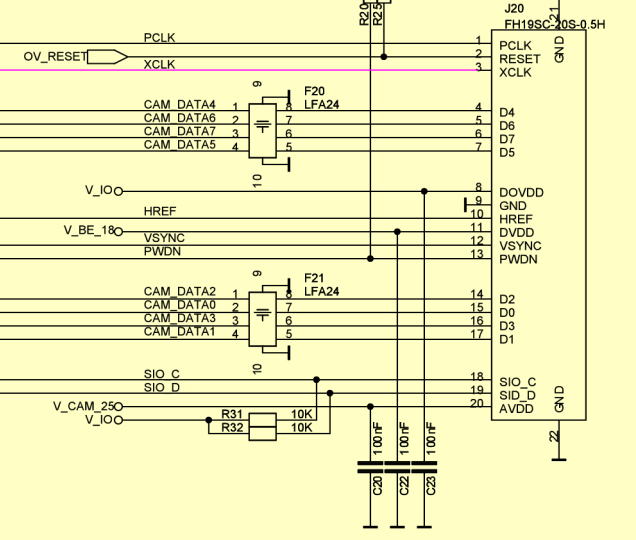


Back-end IC

Reserve For I/O Trapping SPI

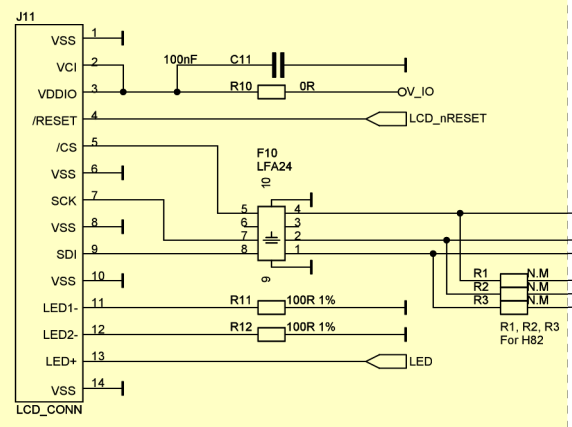


Camera Circuit & Connector

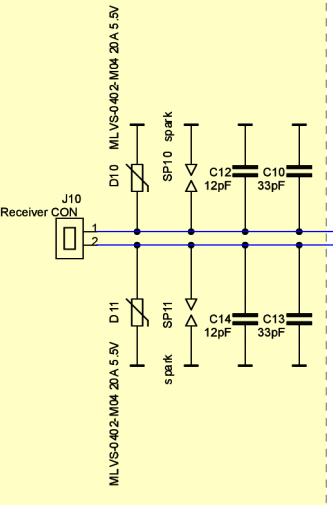


LCD Hotbar Connector

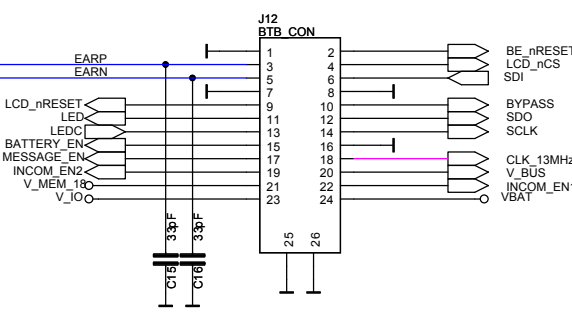
Main LCD (128*160) Toppoly



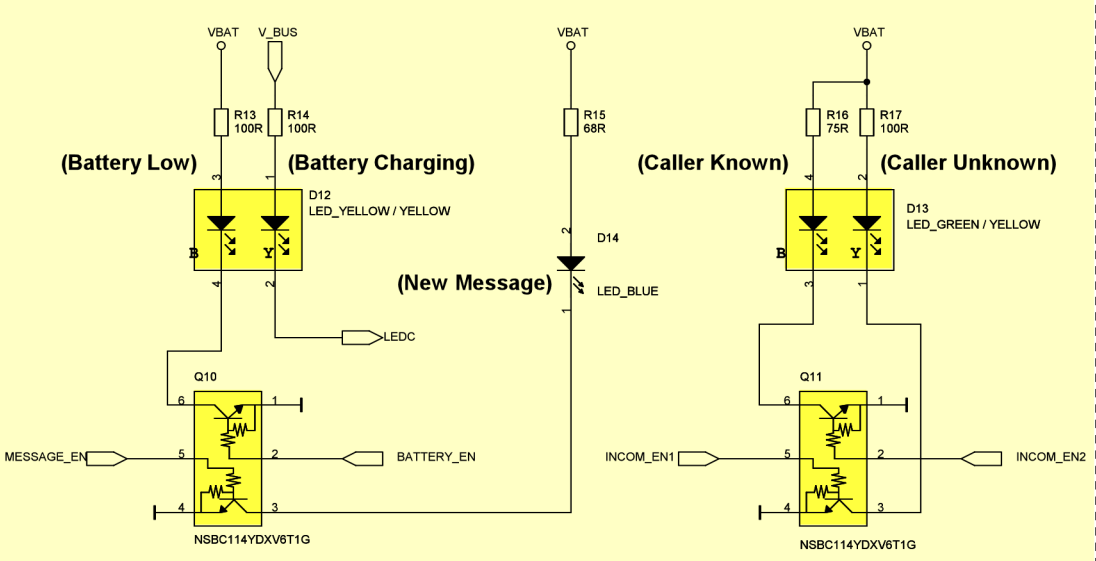
Receiver



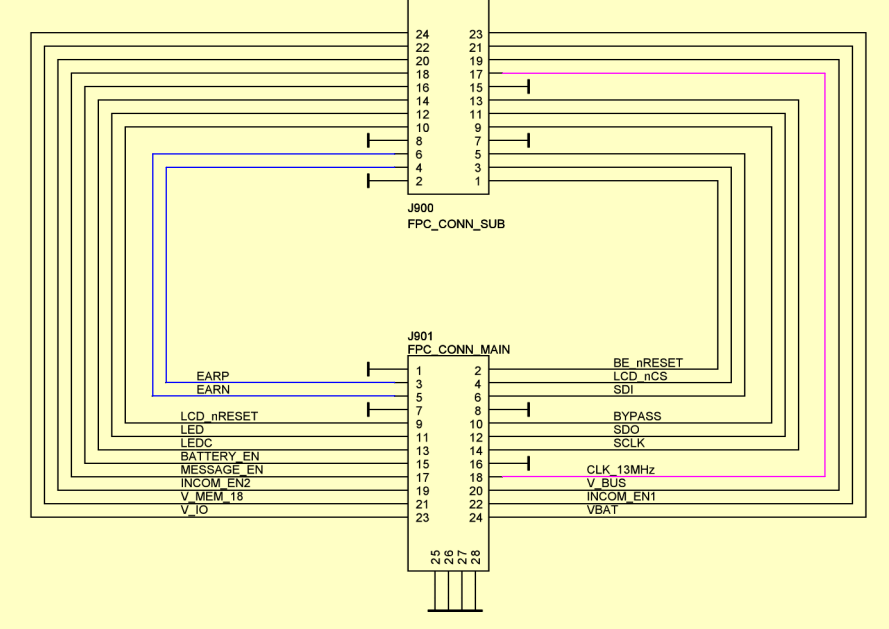
Board to Board Connector



Panel LEDs



Flex Cable



W375 US