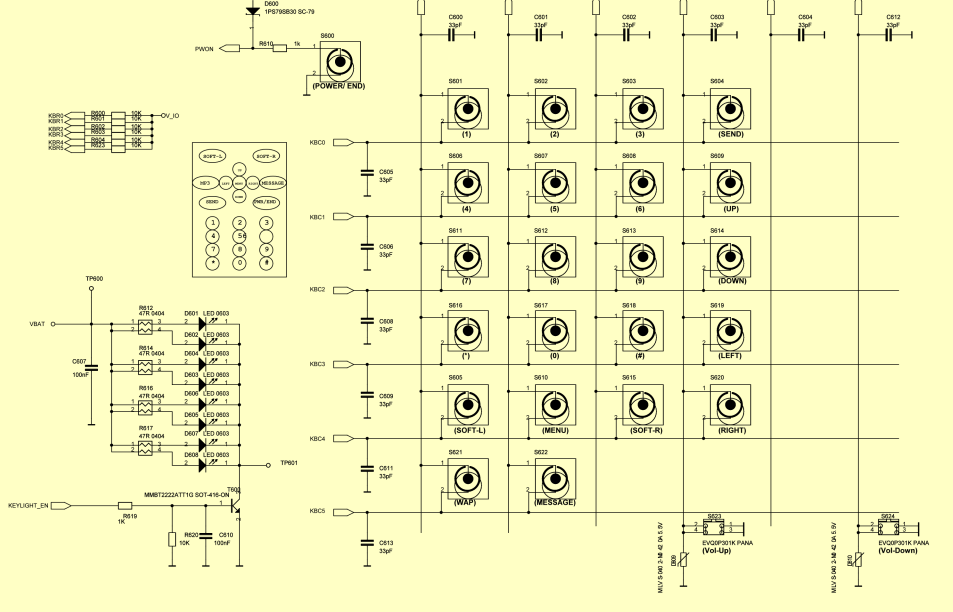
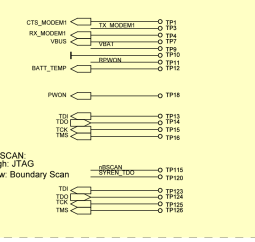


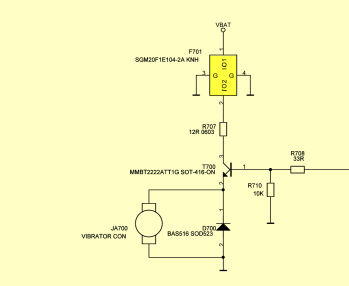
### Keypad Circuit



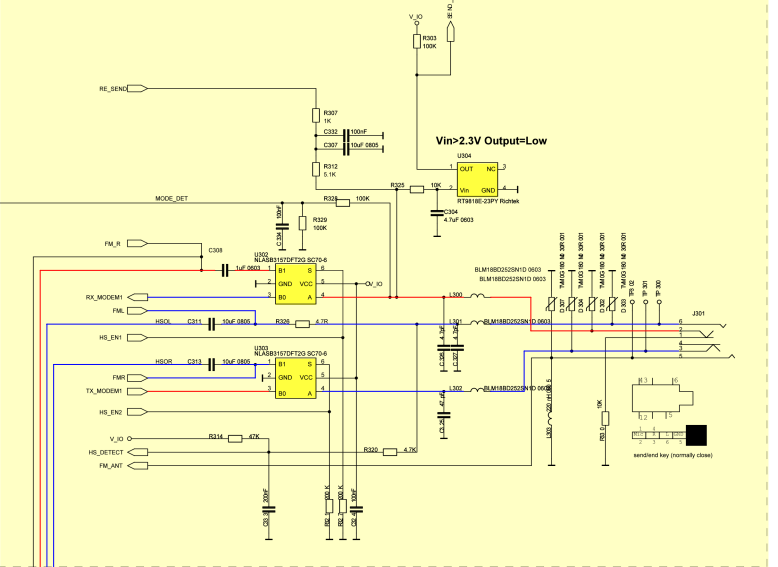
### Test Point



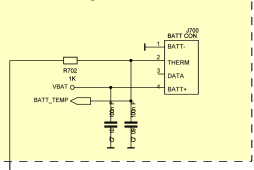
### Vibrator Driver



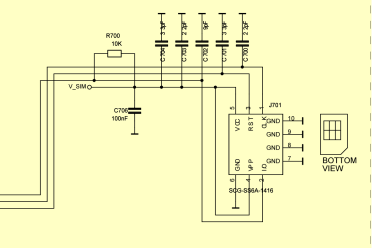
### Headset & Data Cable



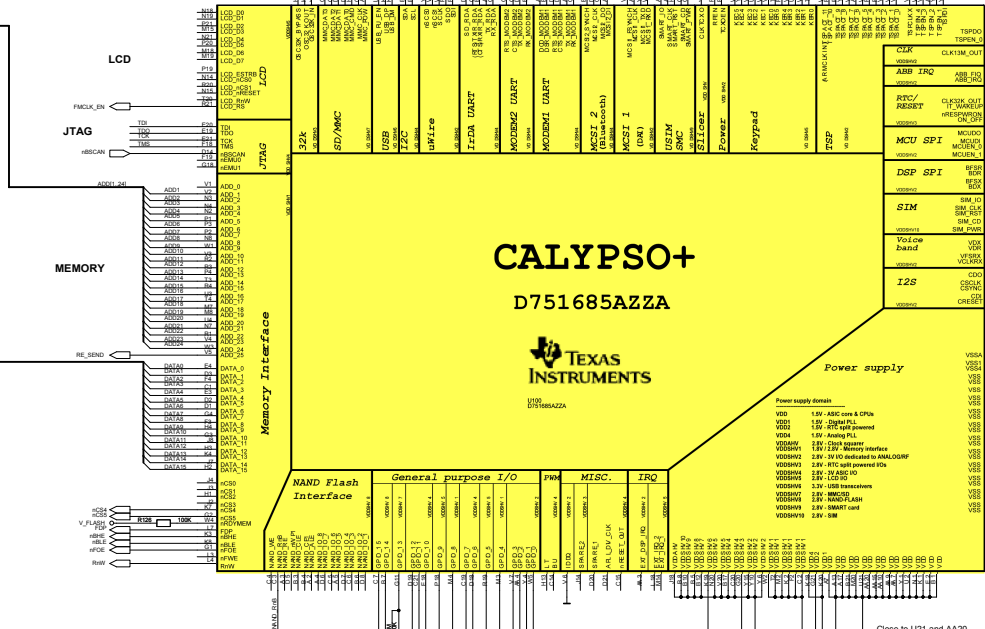
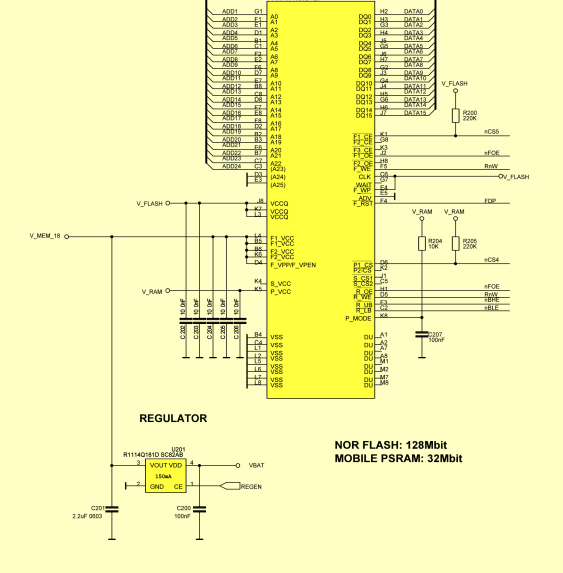
### Battery Connector



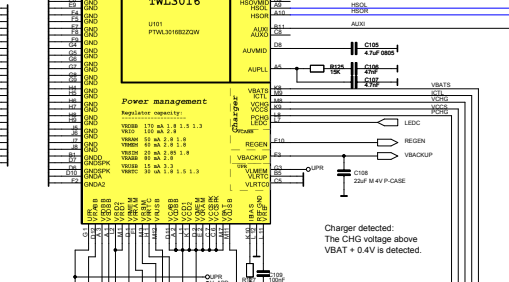
### SIM Card



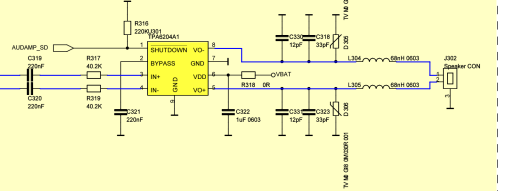
### Memory



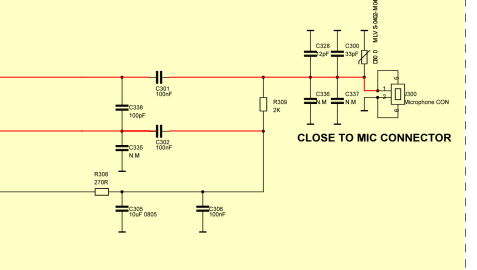
### SYREN TWL3016



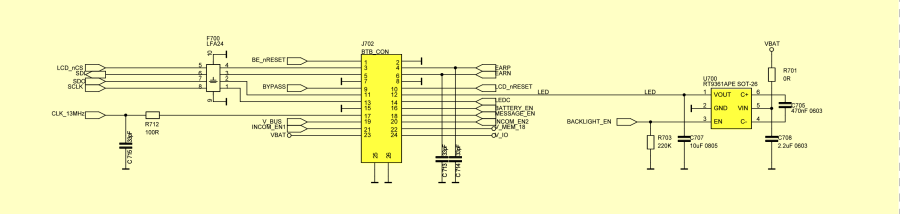
### Speaker



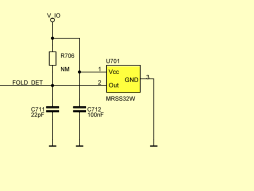
### Microphone



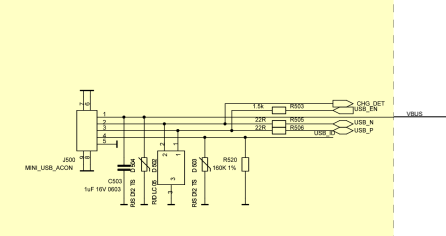
### LCD Back Light Driver



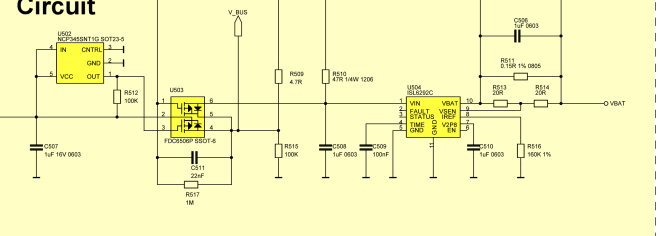
### Folder Sensor



### USB Connector

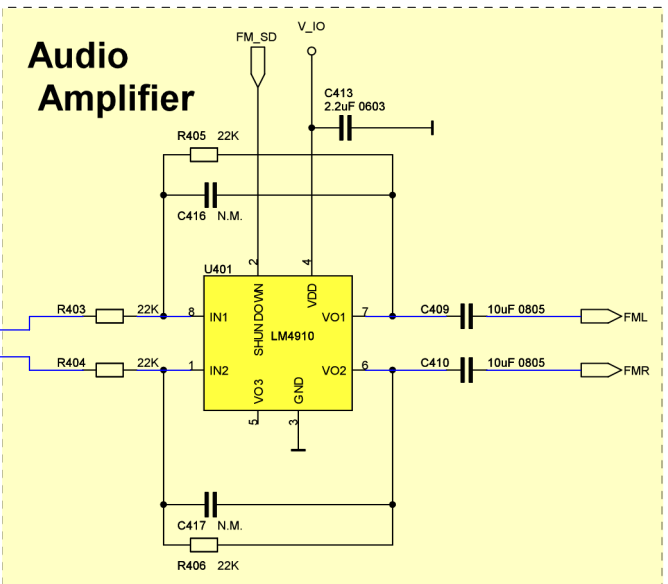
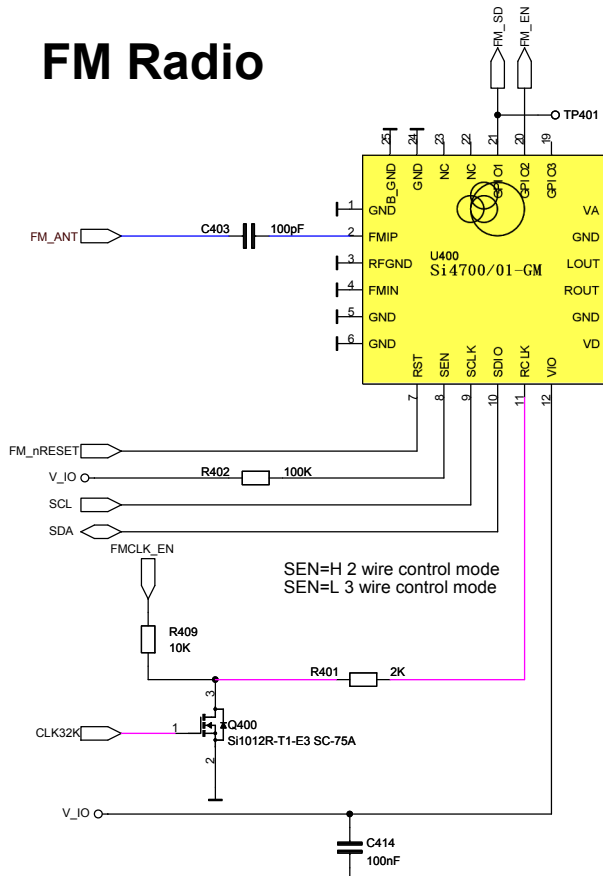


### Charging Circuit

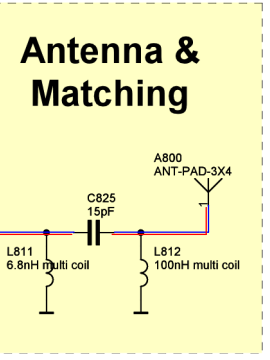
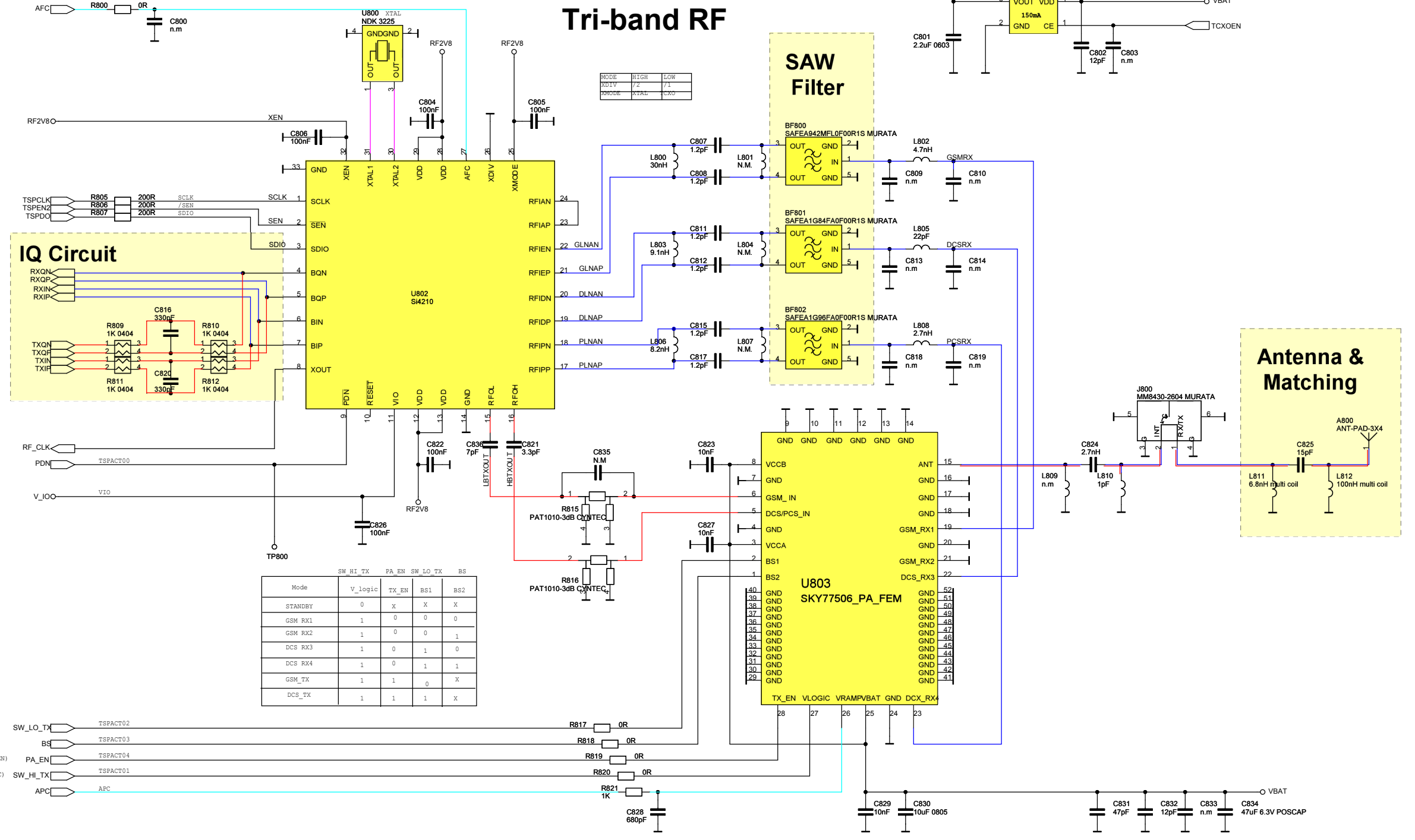


W375 EU

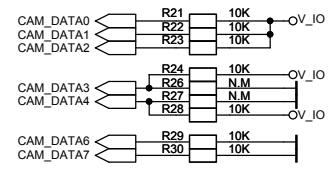
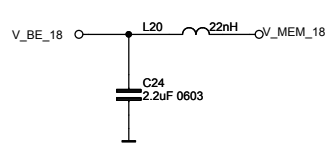
# FM Radio



# Aero II & 77506 Tri-band RF

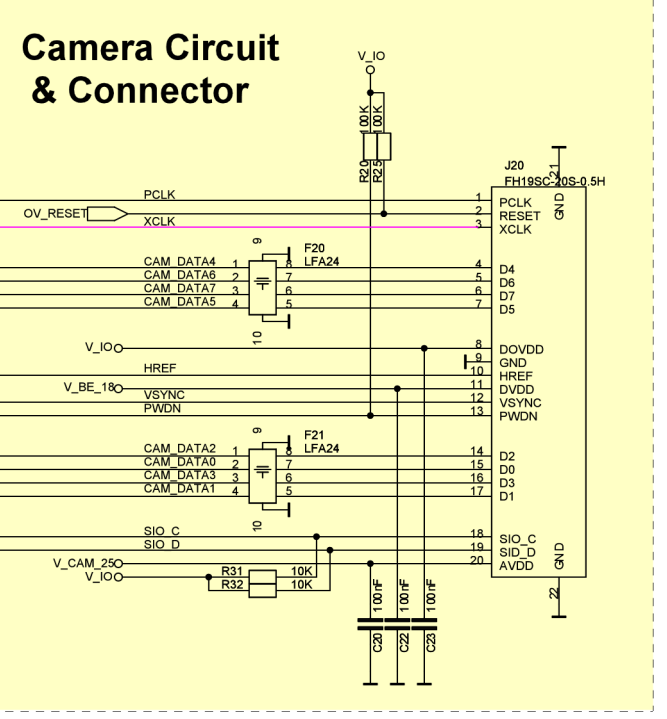
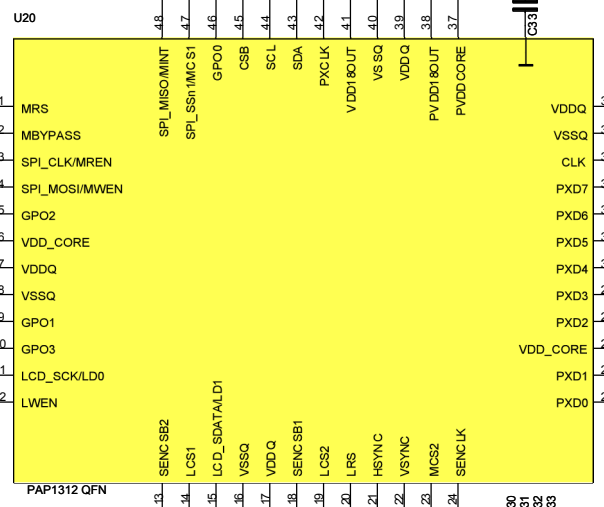


W375 EU

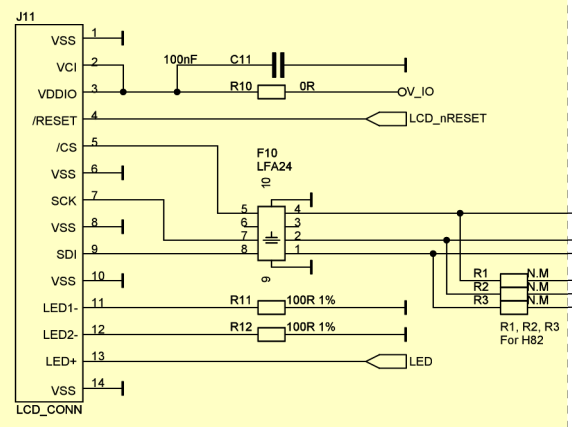


**Back-end IC**

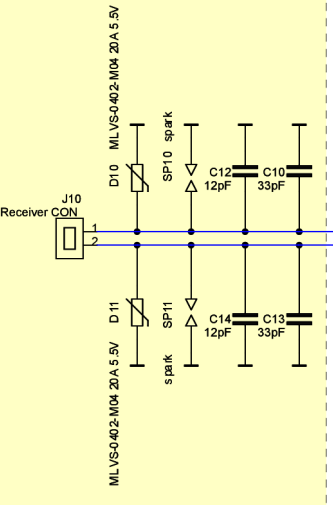
Reserve For I/O Trapping SPI



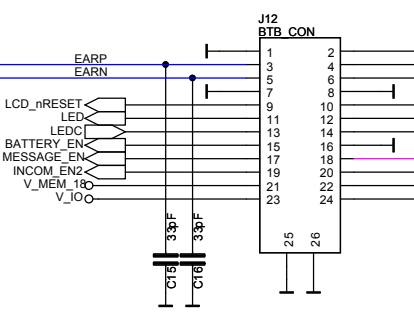
**LCD Hotbar Connector**  
Main LCD (128\*160) Toppoly



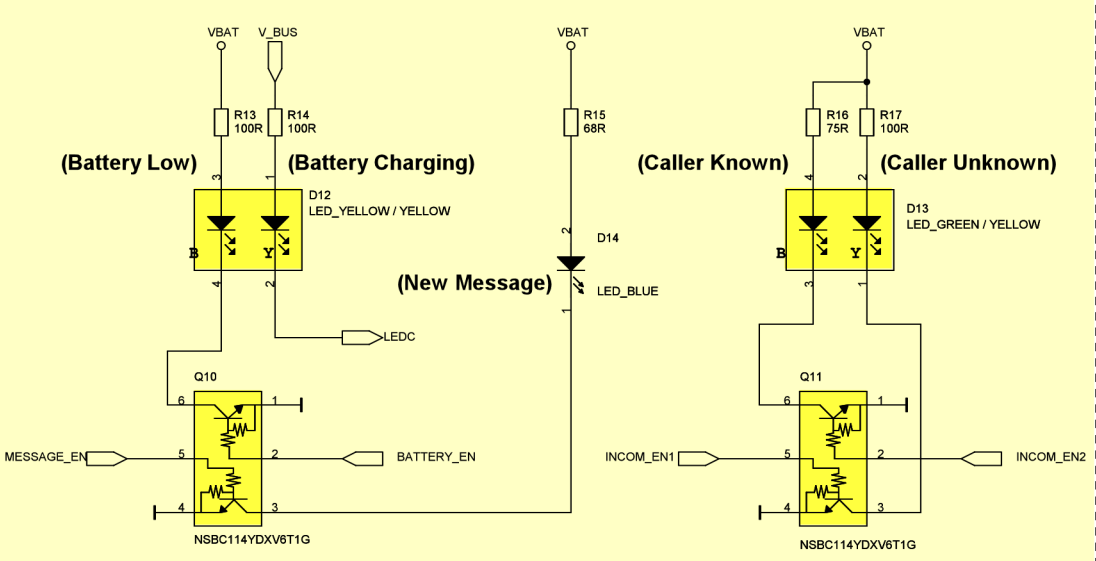
**Receiver**



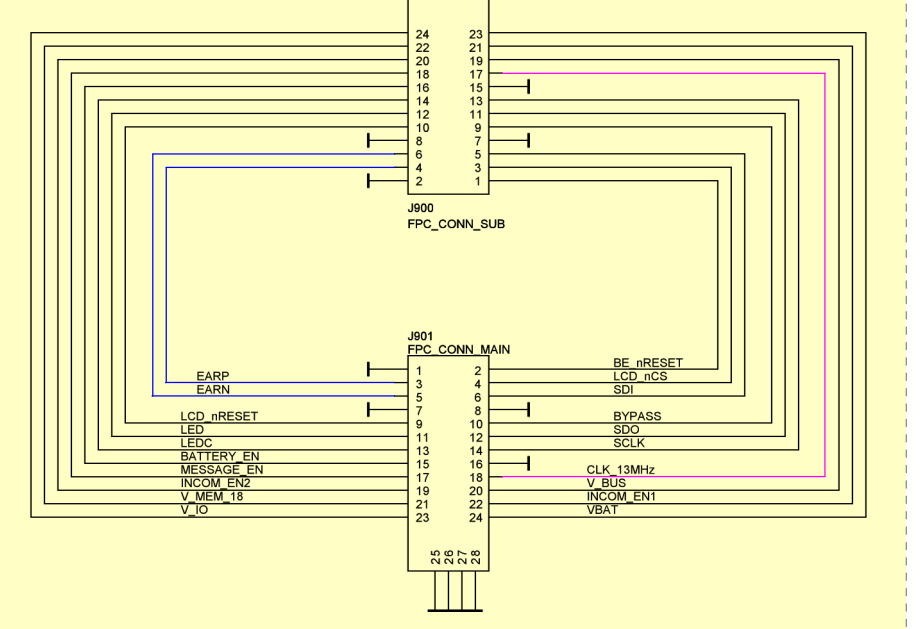
**Board to Board Connector**



**Panel LEDs**



**Flex Cable**



W375 EU