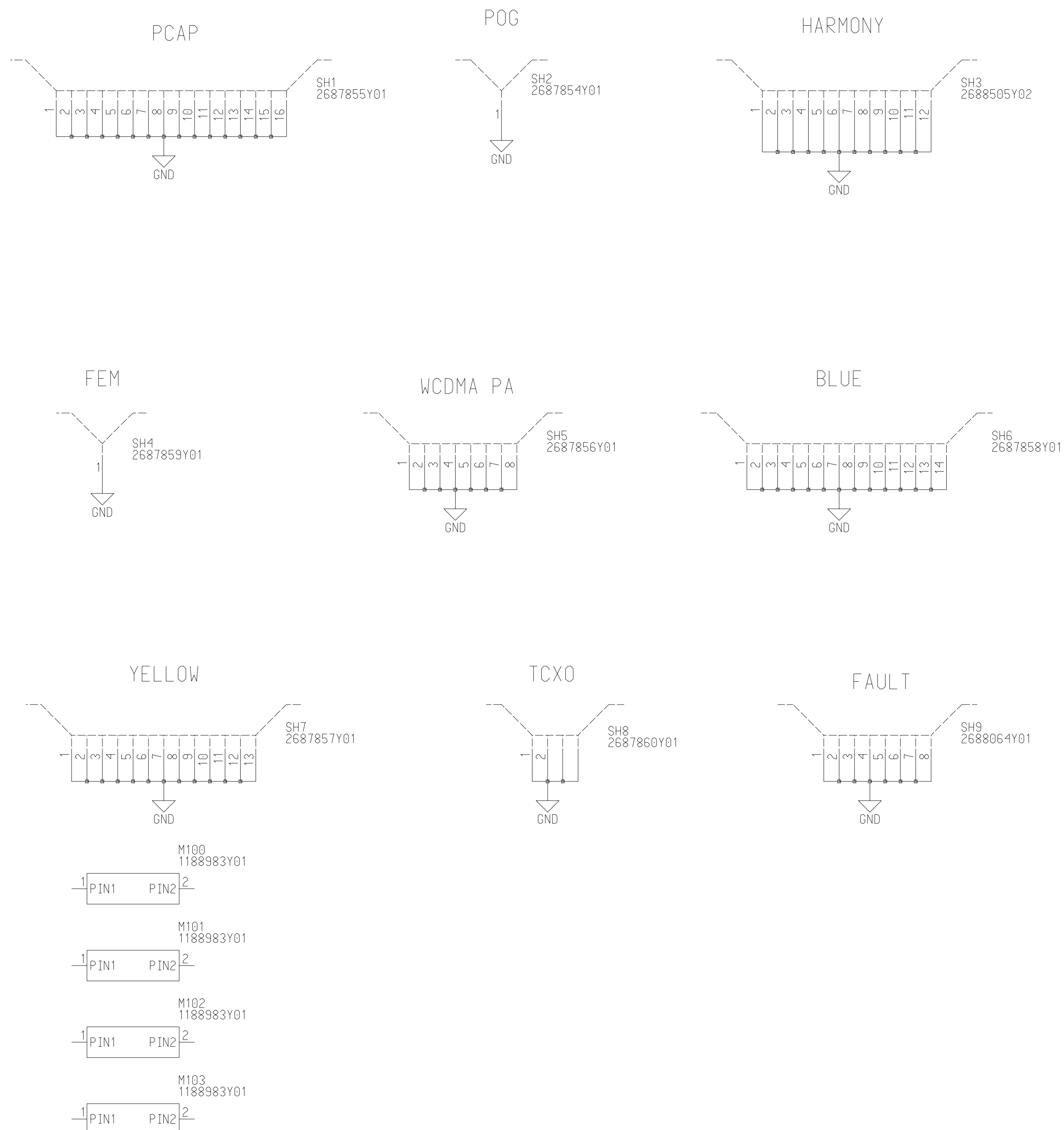
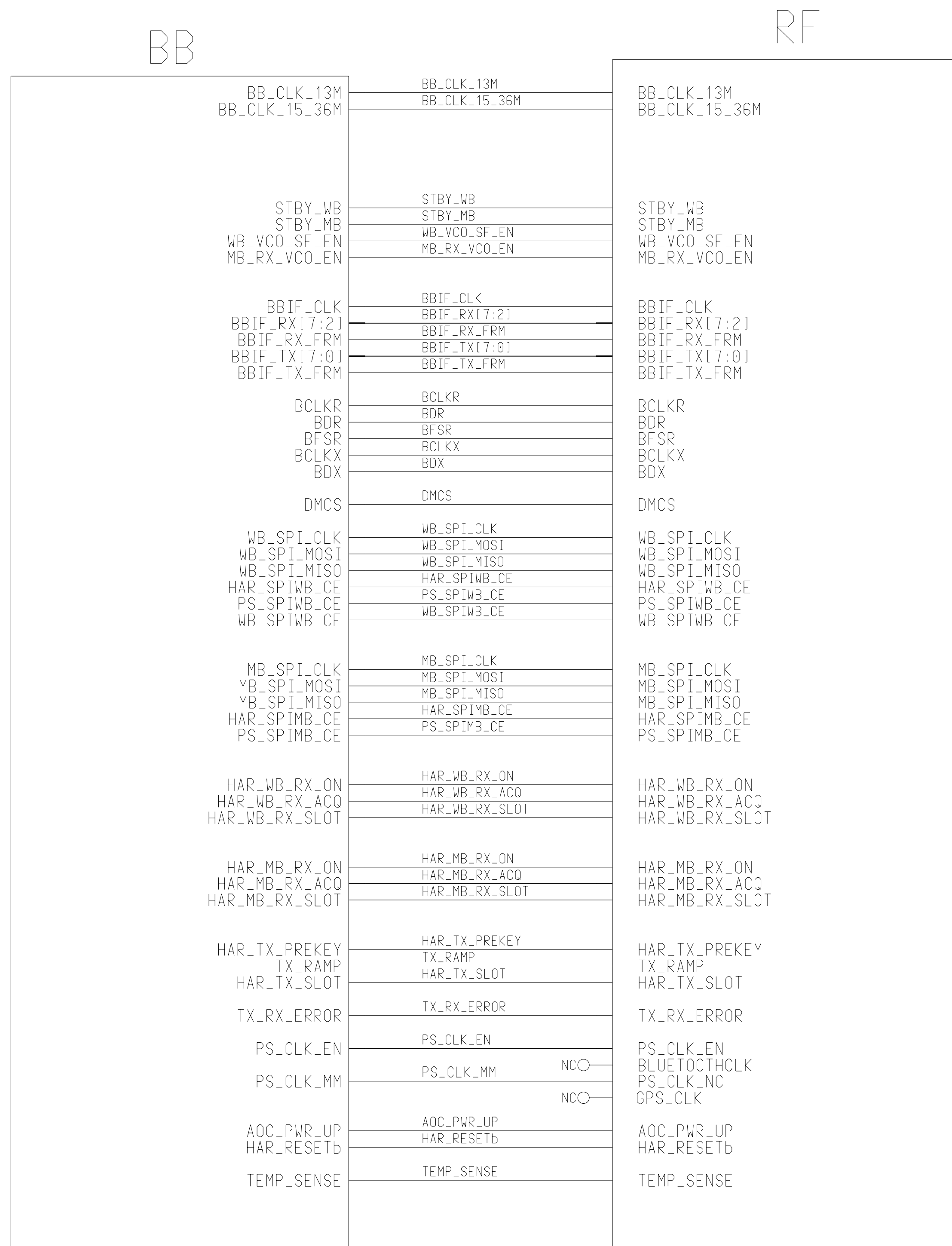


Engineer:	MOTOROLA INC.		
Drawn by:			
R&D CHK:	TITLE: V980	Size:	
DOC CTRL CHK:	Top Level		
MFG CTRL CHK:			
QA CHK:	REV: 0	Drawing Number: 8487724Y10	Page: Of:
Changed by:	Date:	Time:	

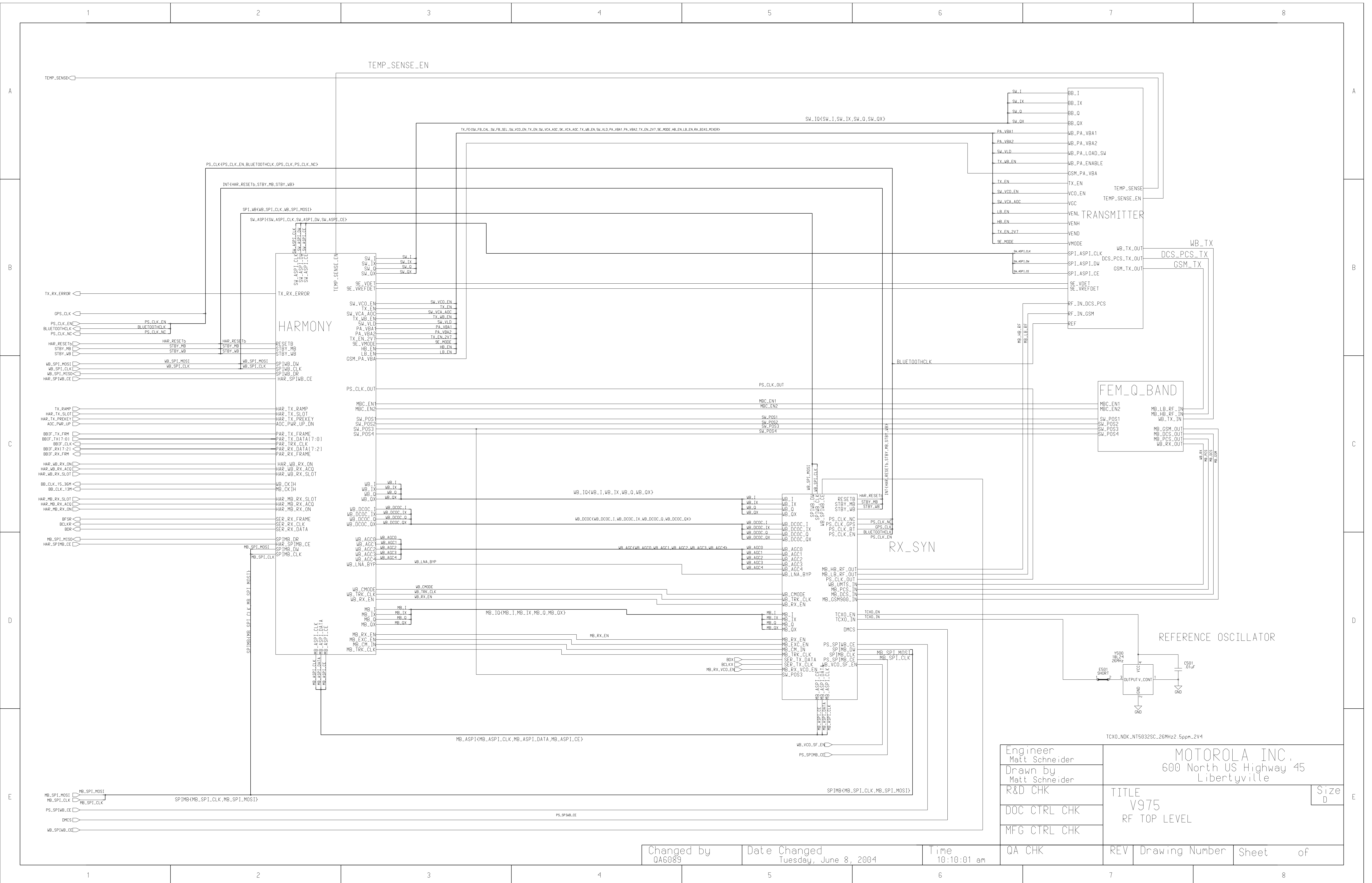


A

B

C

D



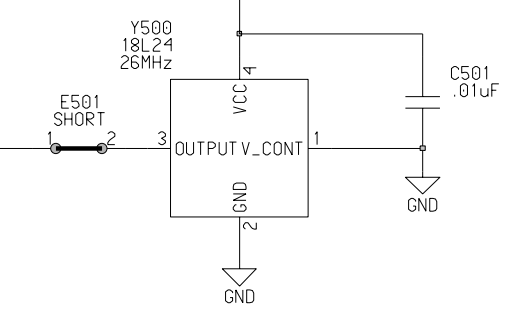
Engineer Matt Schneider	MOTOROLA INC. 600 North US Highway 45 Libertyville			Size D
Drawn by Matt Schneider				
R&D CHK	TITLE V975 RF TOP LEVEL	REV	Drawing Number	Sheet of
DOC CTRL CHK				
MFG CTRL CHK				
QA CHK				

Changed by  
QA6089

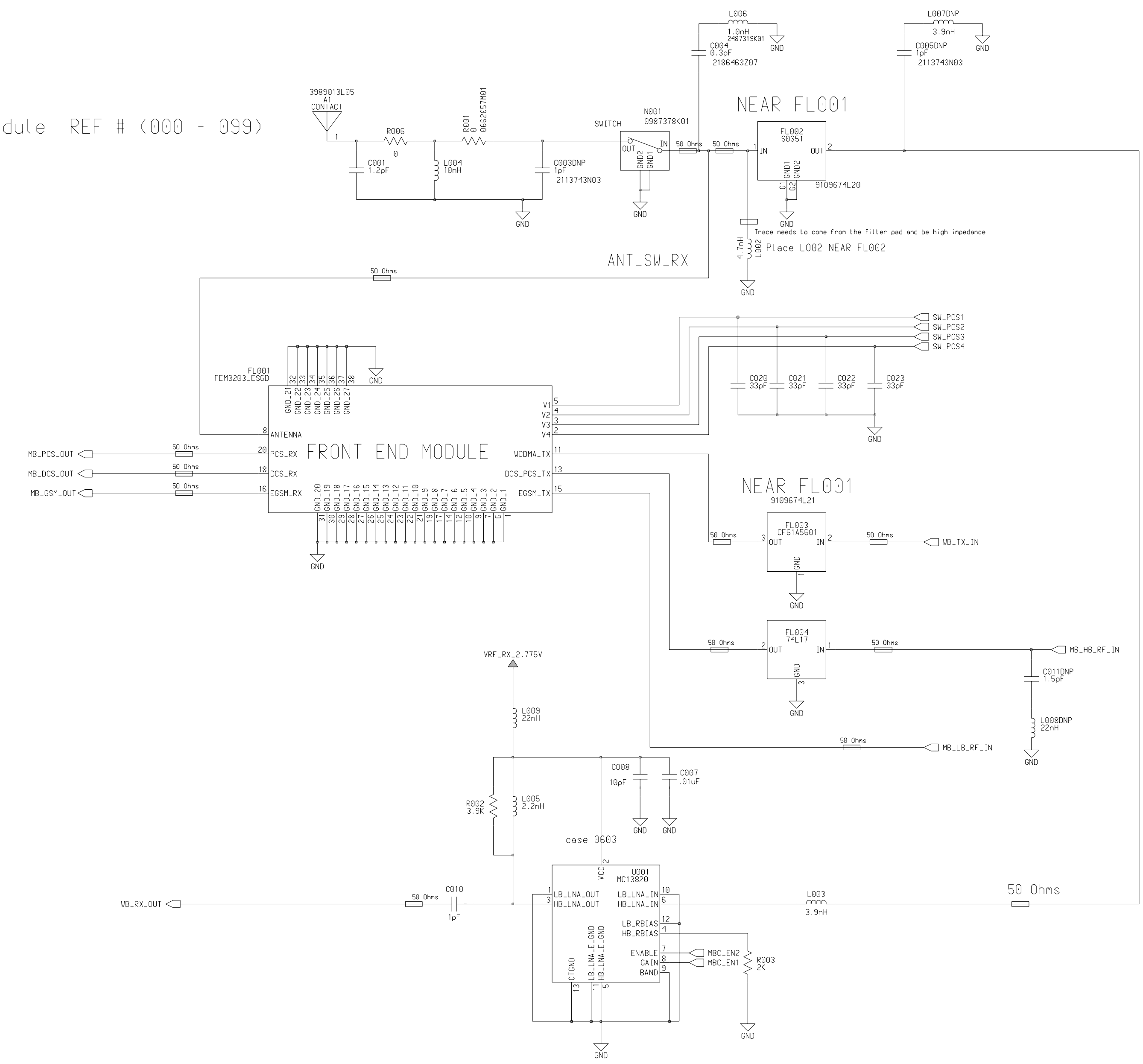
Date Changed  
Tuesday, June 8, 2004

Time  
10:10:01 am

TCX0\_NDK\_NT5032SC\_26MHz2.5ppm\_2V4



Front End Module REF # (000 - 099)



Engineer Matt Schneider	MOTOROLA INC. 600 North US Highway 45 Libertyville			Size D
Drawn by Matt Schneider				
R&D CHK	TITLE			
DOC CTRL CHK	Quad Band Front End Module			
MFG CTRL CHK				
QA CHK	REV Rev 1	Drawing Number	Sheet	of

Changed by QA6089 Date Changed Tuesday, September 7, 2004 Time 1:22:23 pm

TP placeholders for pins with NC

SYNTHESIS CAPACITORS CLOSE TO HARMONY

SUPPLIES INTERCONNECTIONS FAR FROM HARMONY

A

B

C

D

E

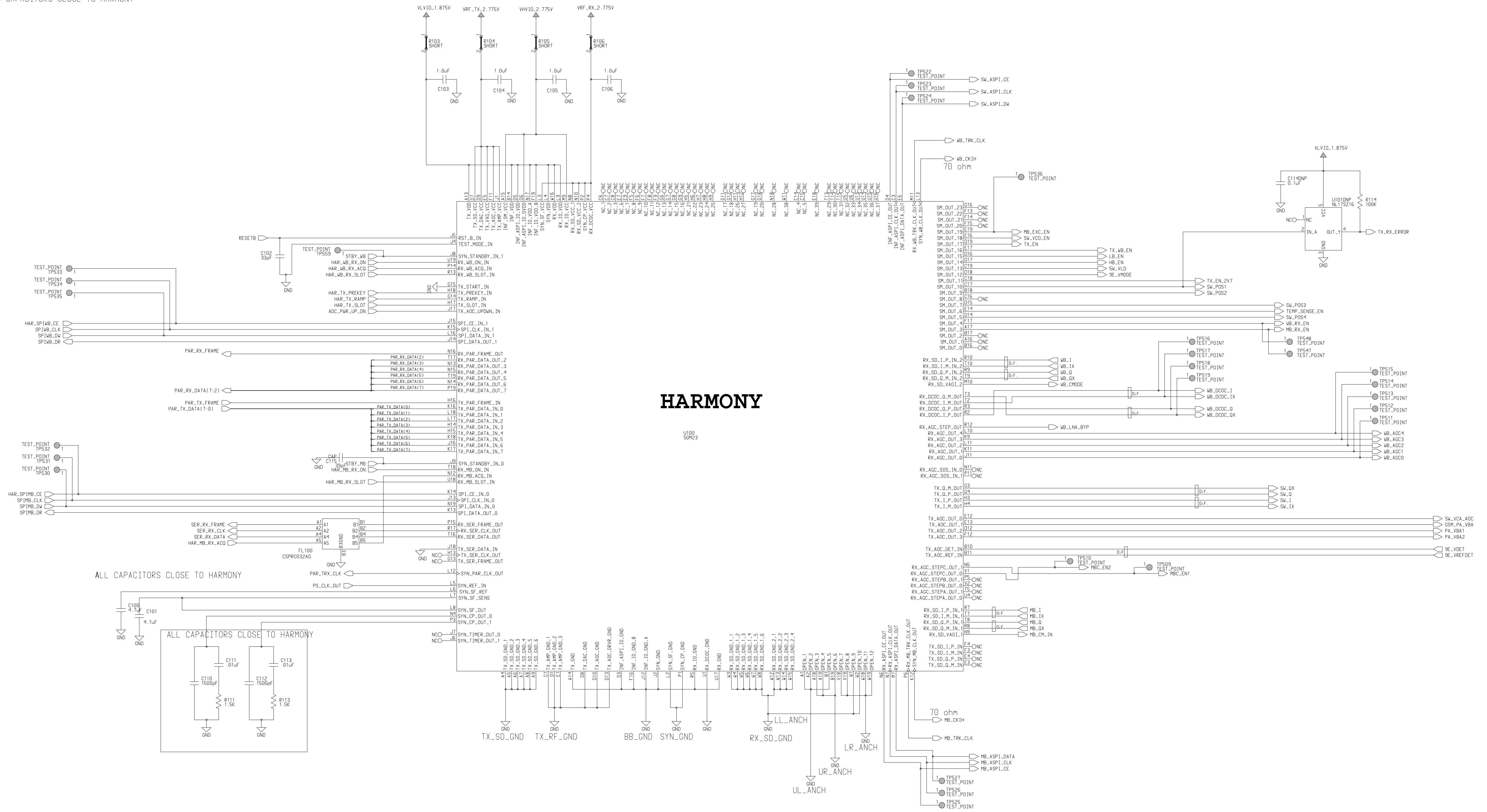
A

B

C

D

E



### HARMONY

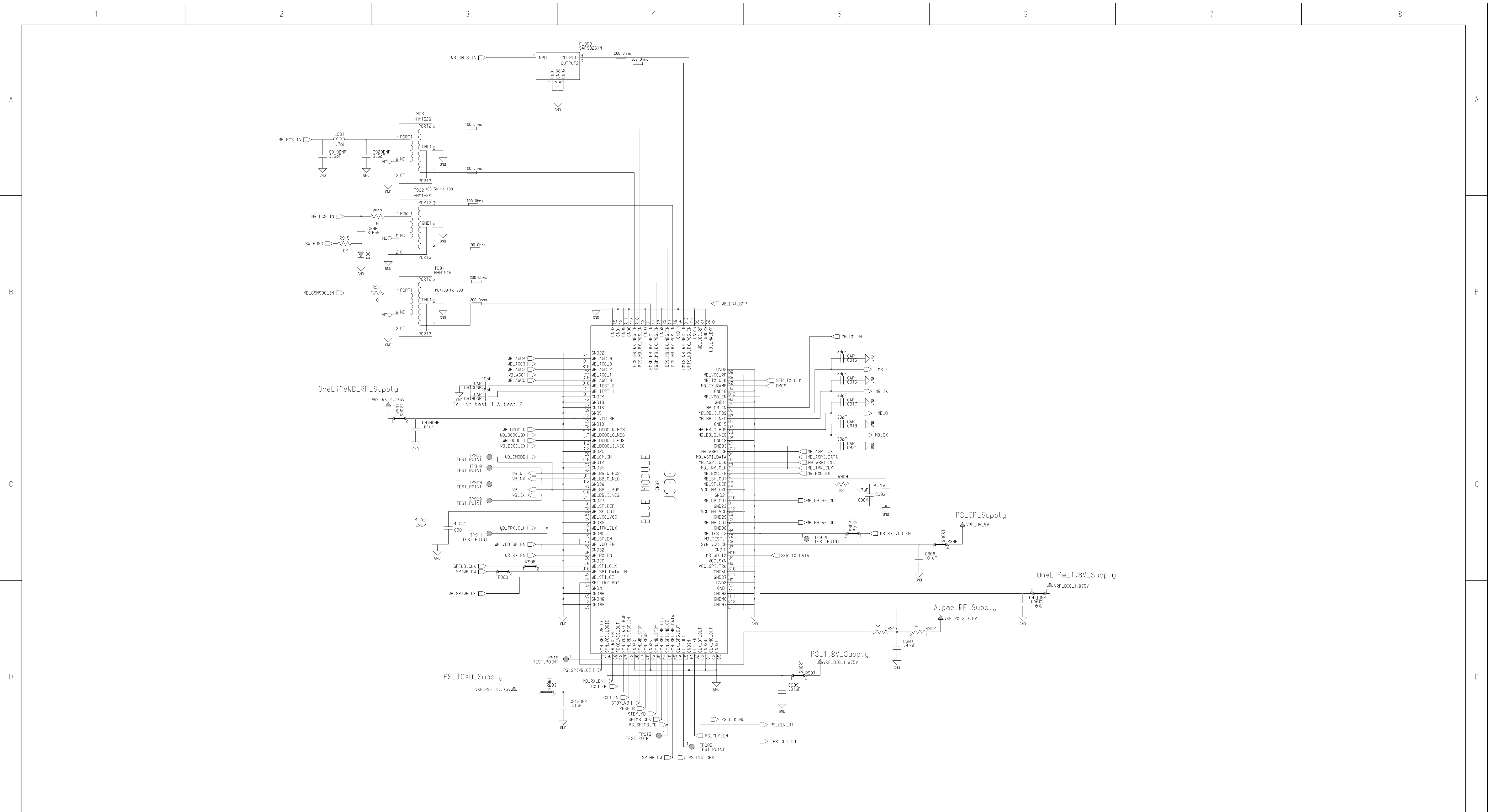
U100  
90R23

Engineer Matt Schneider	MOTOROLA INC. 600 North US Highway 45 Libertyville		
Drawn by Matt Schneider			
R&D CHK	TITLE	Size D	
DOC CTRL CHK	HARMONY		
MFG CTRL CHK			
QA CHK	REV 1	Drawing Number	Sheet of

Changed by  
QA6089

Date Changed  
Thursday, July 15, 2004

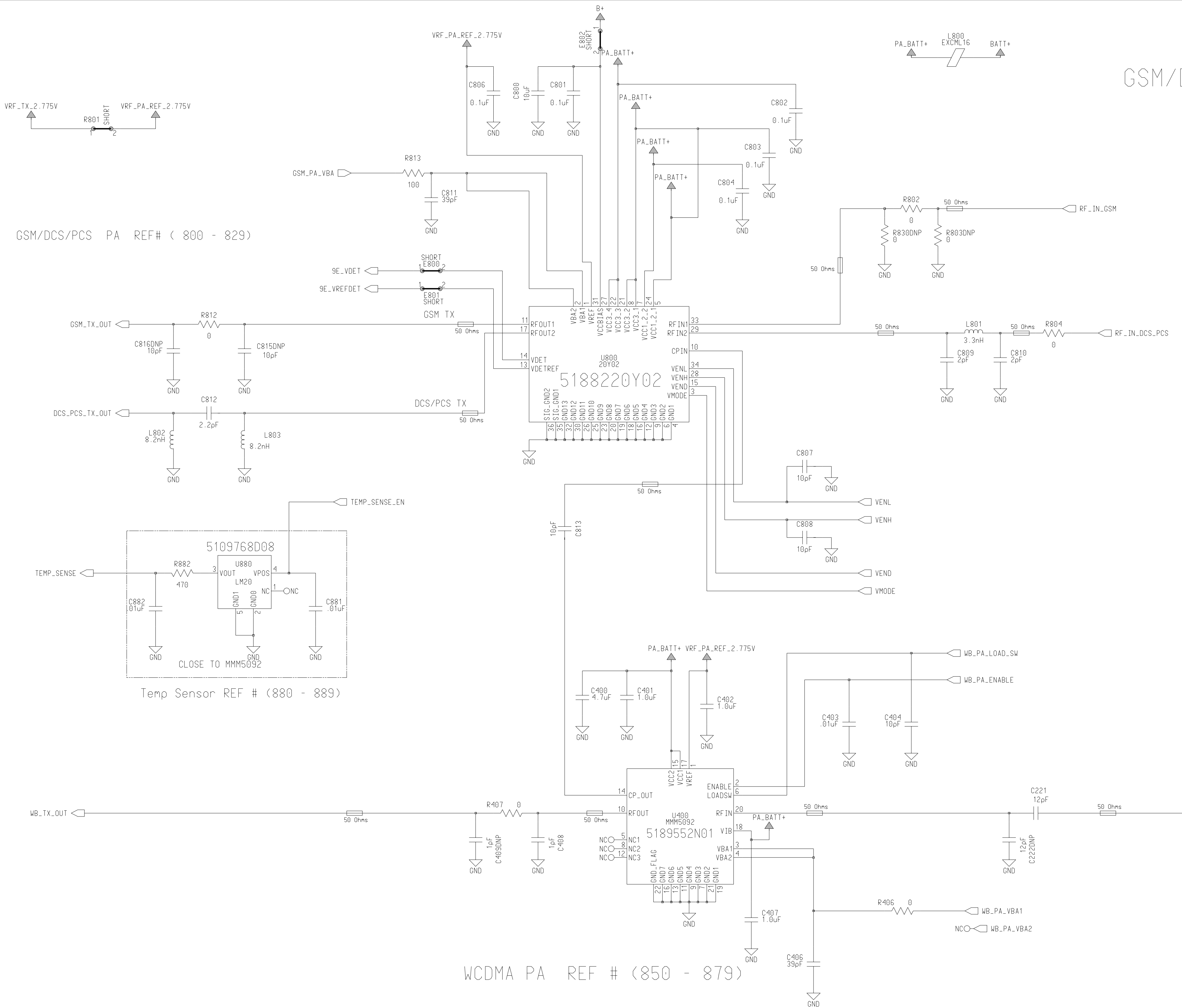
Time  
6:38:48 pm



Engineer Matt Schneider	COMPANY NAME Address City		
Drawn by Matt Schneider			
R&D CHK	TITLE	Size	D
DOC CTRL CHK	Rx/Syn		
MFG CTRL CHK			
QA CHK	REV 1.0	Drawing Number	Sheet of

Changed by: QA6089  
 Date Changed: Tuesday, September 7, 2004  
 Time: 1:17:25 pm

# GSM/DCS/PCS and WCDMA Transmitters

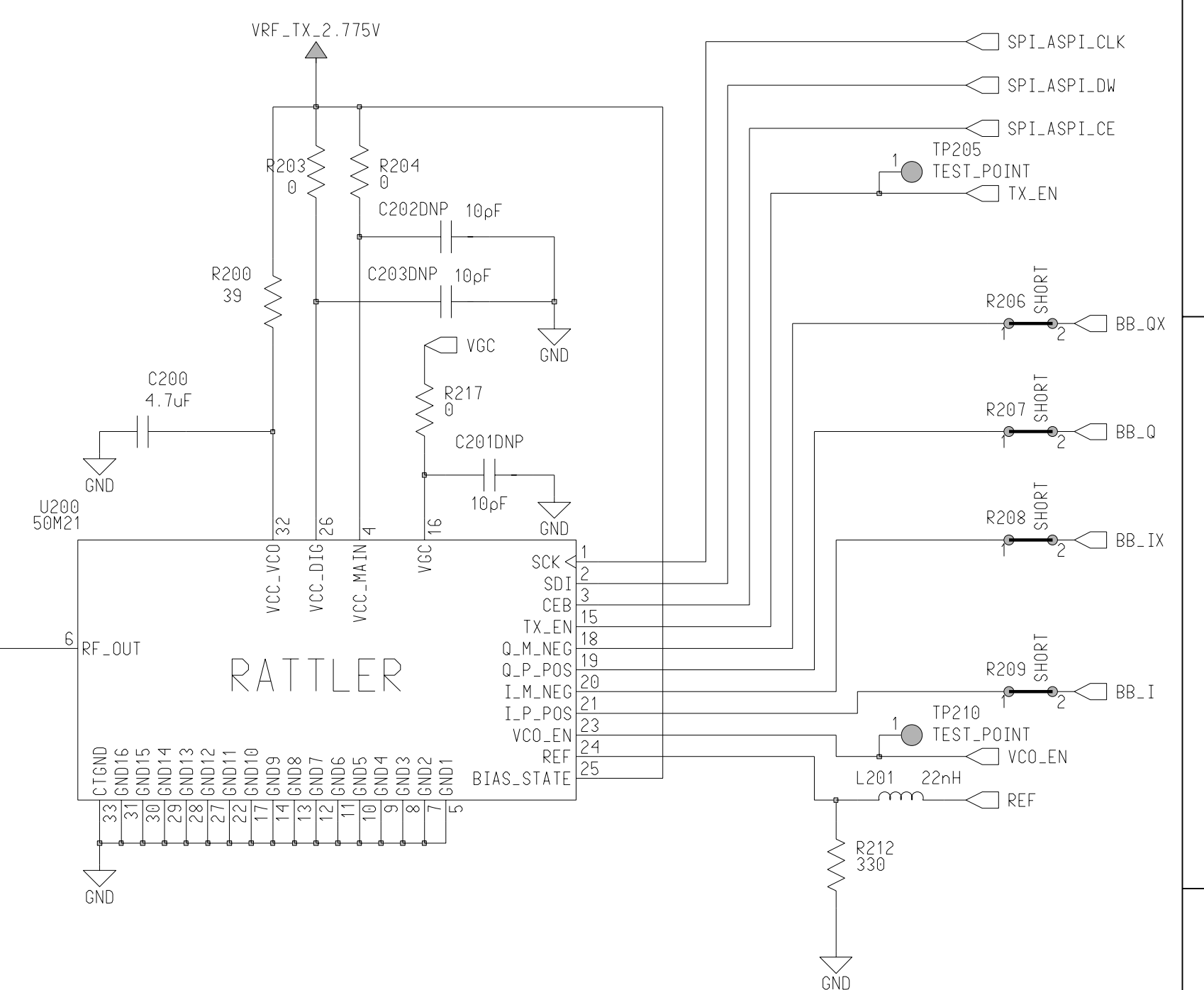


GSM/DCS/PCS PA REF# ( 800 - 829)

Temp Sensor REF # (880 - 889)

WCDMA PA REF # (850 - 879)


## TX\_RATTLER\_MODULE



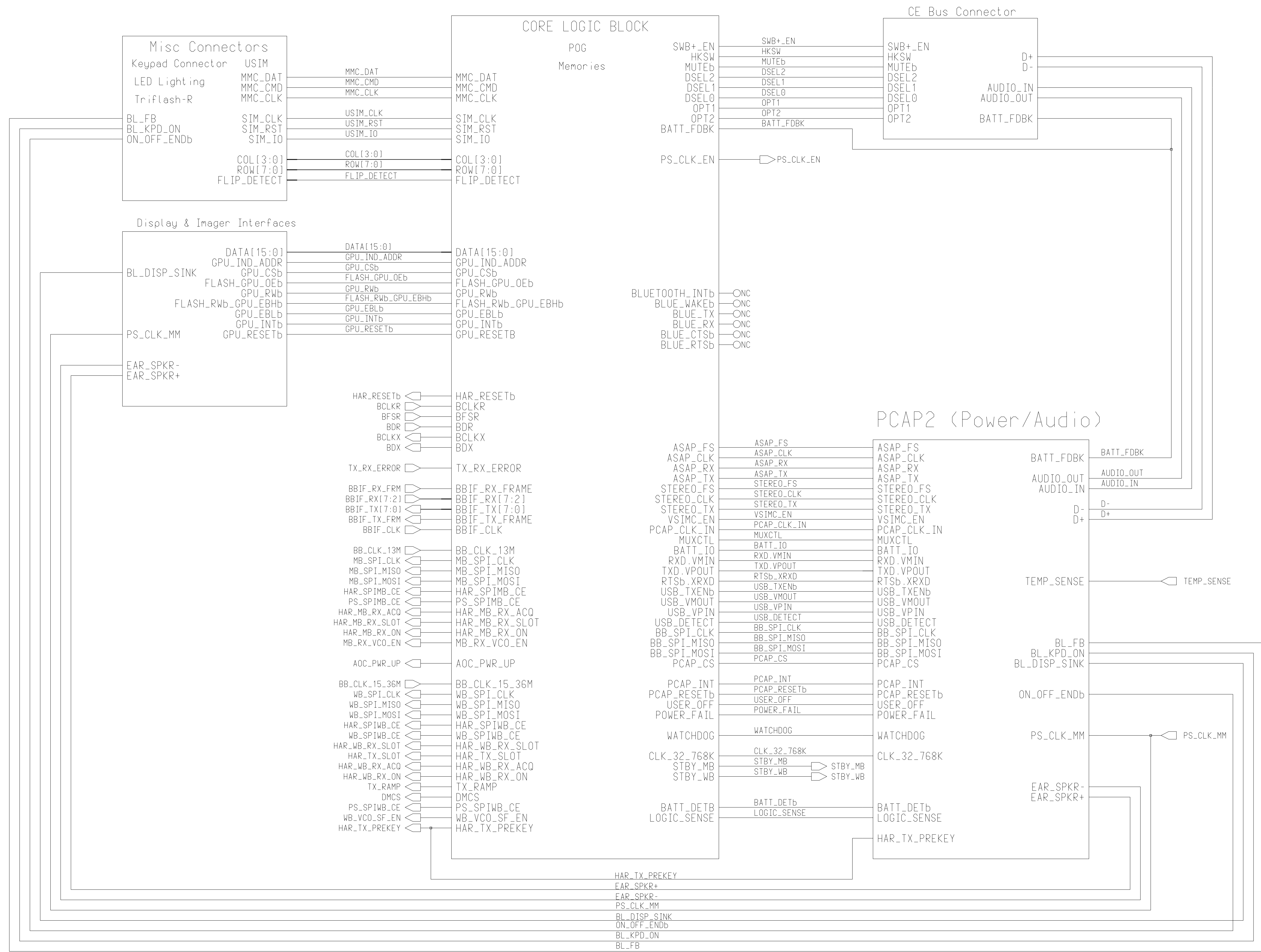
Engineer	MOTOROLA INC. 600 North US Highway 45 Libertyville		
Drawn by	TITLE		
R&D CHK	TRANSMITTER		Size
DOC CTRL CHK	REV		
MFG CTRL CHK	Drawing Number		
QA CHK	Sheet		of

Changed by: 0A6089 Date Changed: Tuesday, September 7, 2004 2:04:11 pm Time

wlpm11  
wlpm11

Engineer:			
Drawn by:			
R&D CHK:	TITLE: V980	Size:	
DOC CTRL CHK:	Baseband Top Level		
MFG CTRL CHK:	REV: 0	Drawing Number: 8487724Y10	Page: Of:
QA CHK:	Date:	Time:	

A  
B  
C  
D



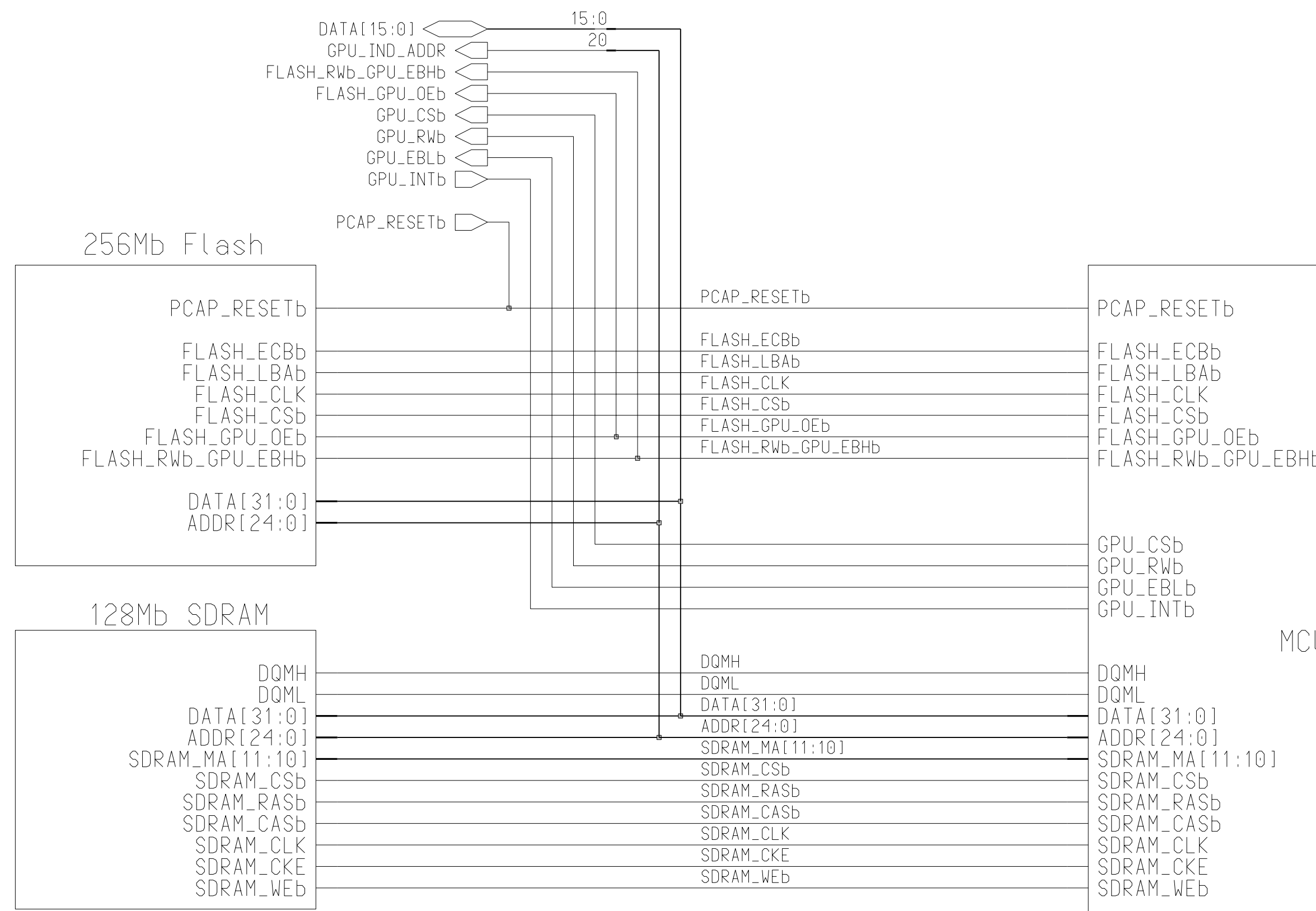
Engineer:	MOTOROLA INC.		
Drawn by:			
R&D CHK:	TITLE: V980	Size:	
DOC CTRL CHK:	POG & Memories		
MFG CTRL CHK:	REV: 0	Drawing Number: 8487724Y10	Page: Of:
QA CHK:	Date:	Time:	
Changed by:			

A

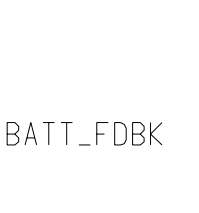
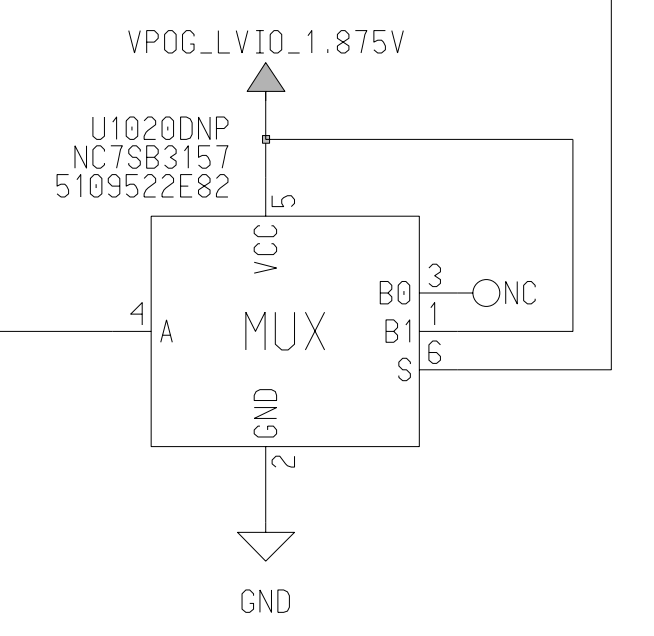
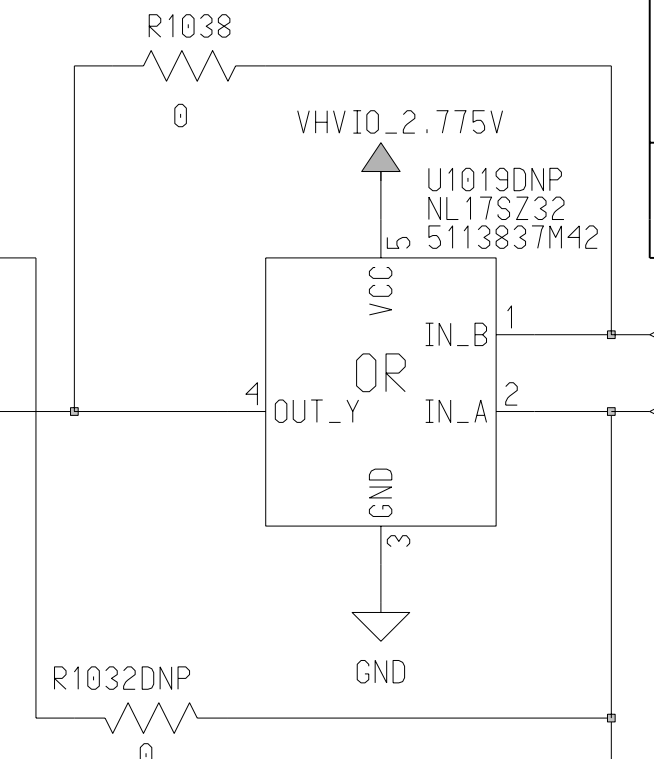
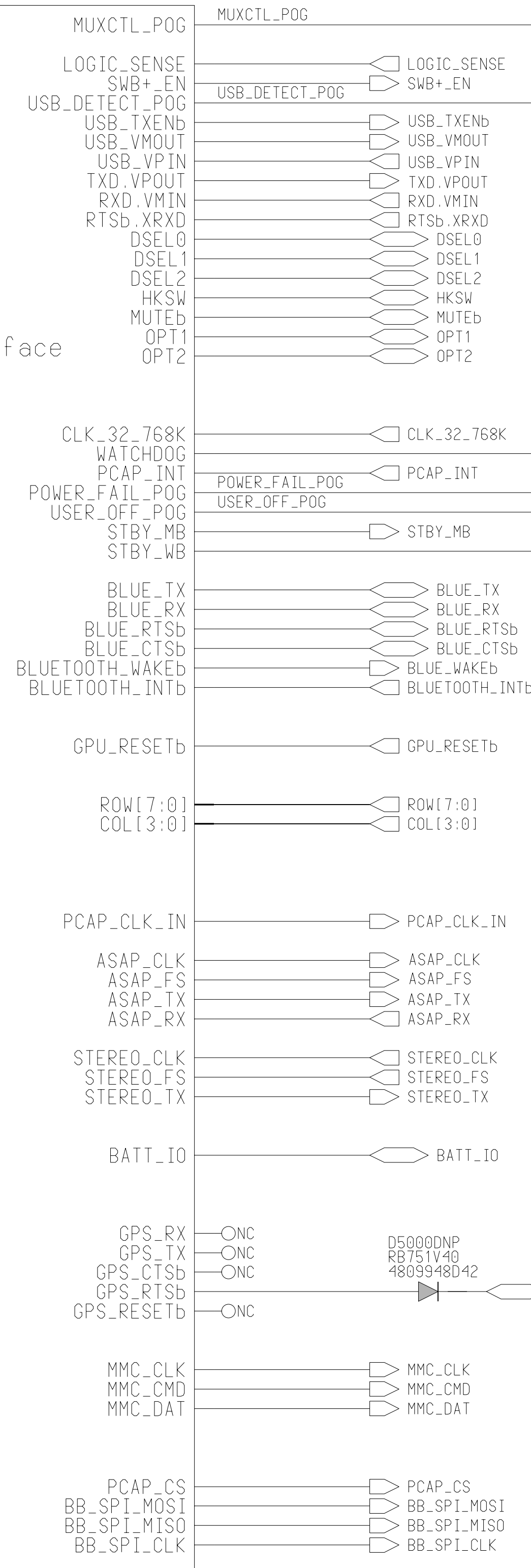
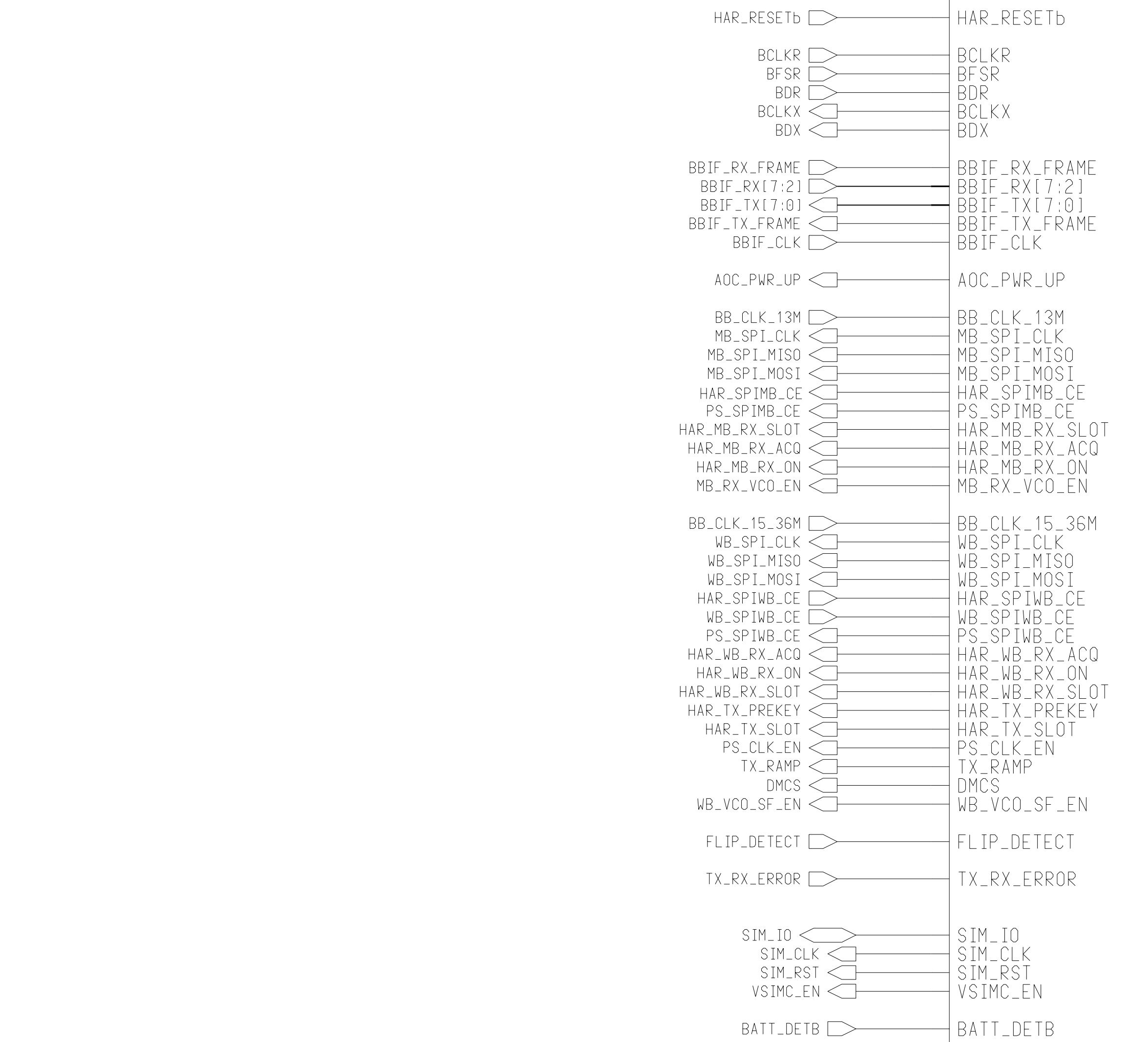
B

C

D



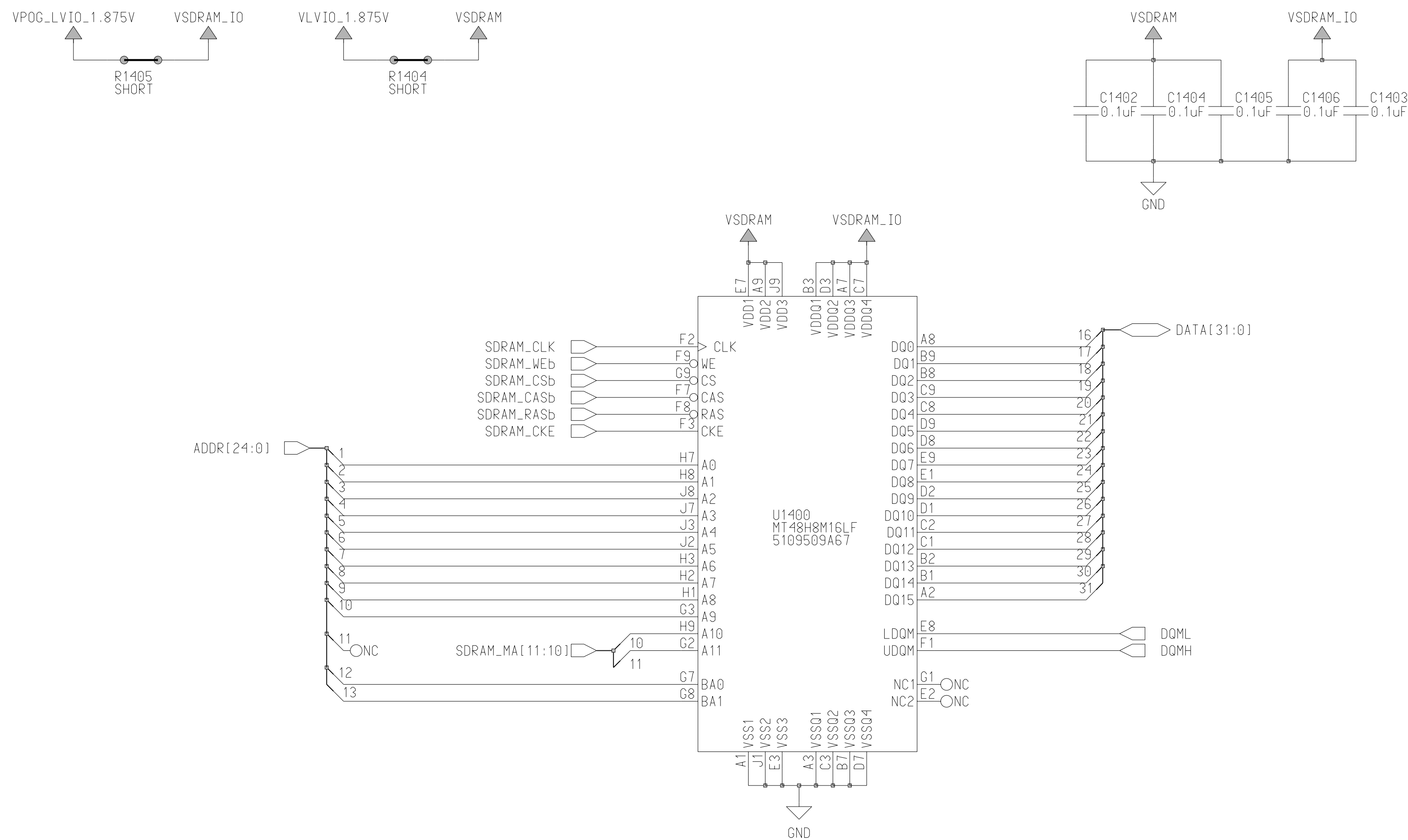
POG Hierarchy Block  
4 Sheets  
MCU and IPCM Peripheral Interface  
Memory & Test Interface  
DSP Interface  
Power  
Wingboard Interface



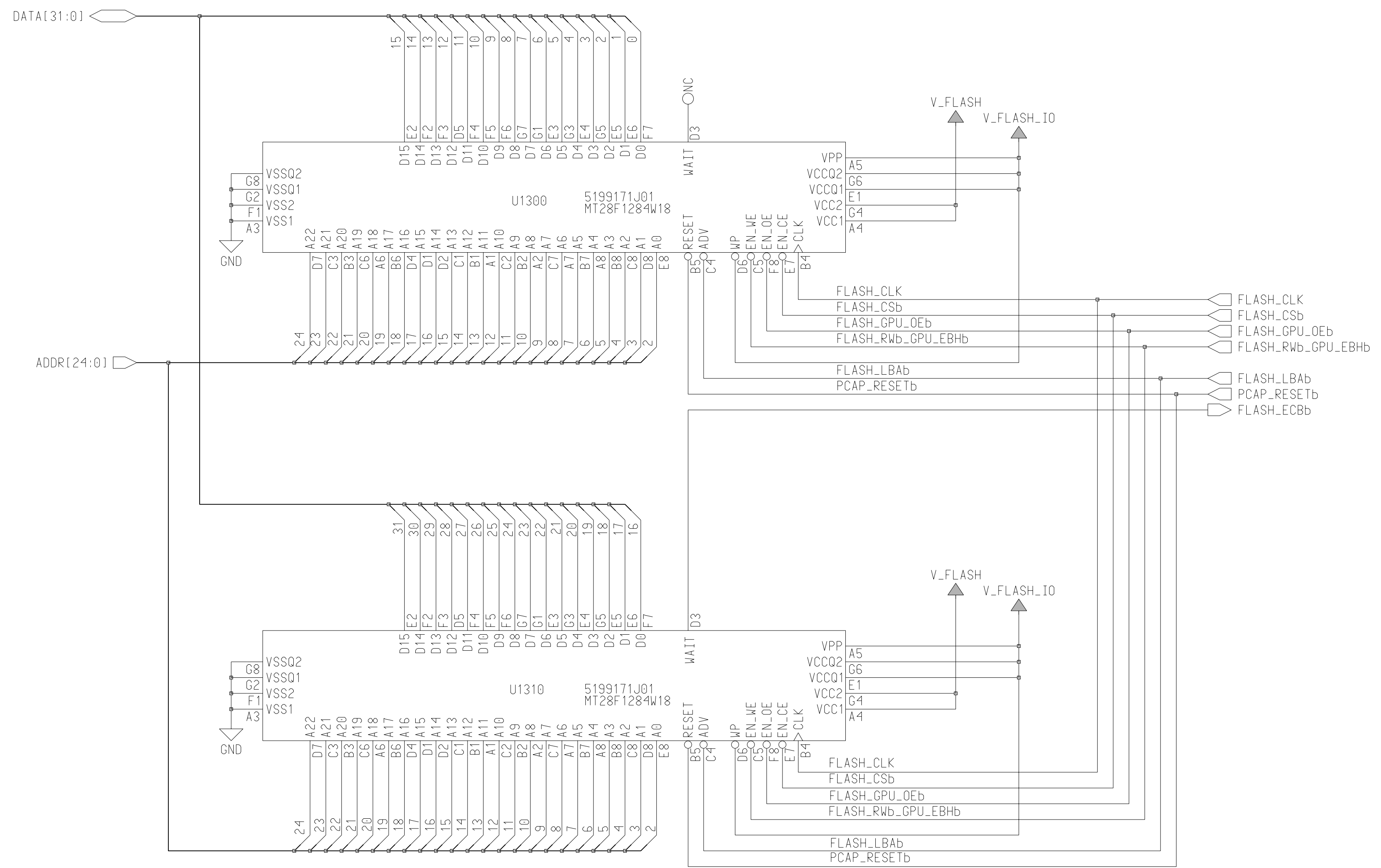
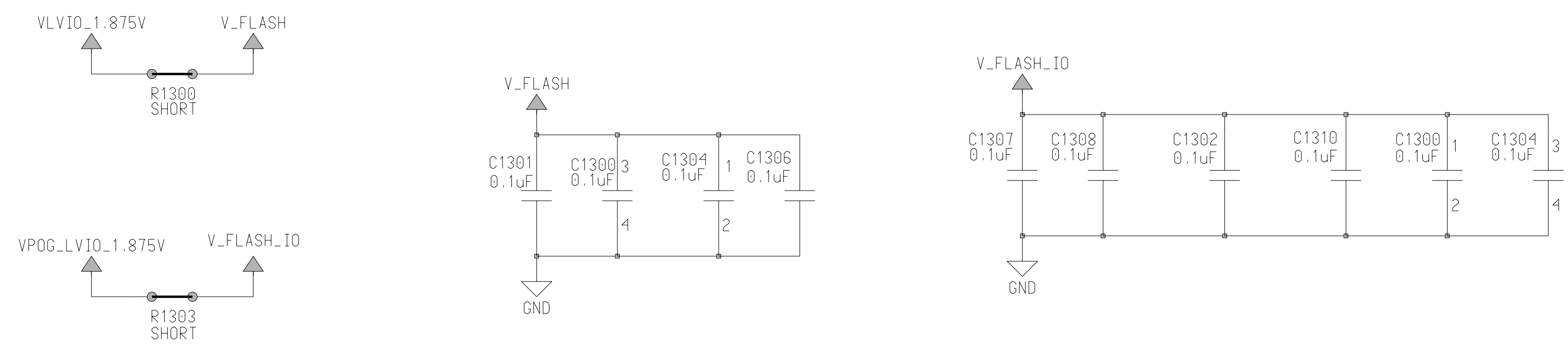
Production	Development
U1019DNP	U1019
R1038	R1038DNP
R1032DNP	R1032
U1020DNP	U1020




Engineer:	MOTOROLA INC.		
Drawn by:			
R&D CHK:	TITLE: V980	Size:	
DOC CTRL CHK:	SDRAM Memory		
MFG CTRL CHK:			
QA CHK:	REV: 0	Drawing Number: 8487724Y10	Page: Of:
Changed by:	Date:	Time:	

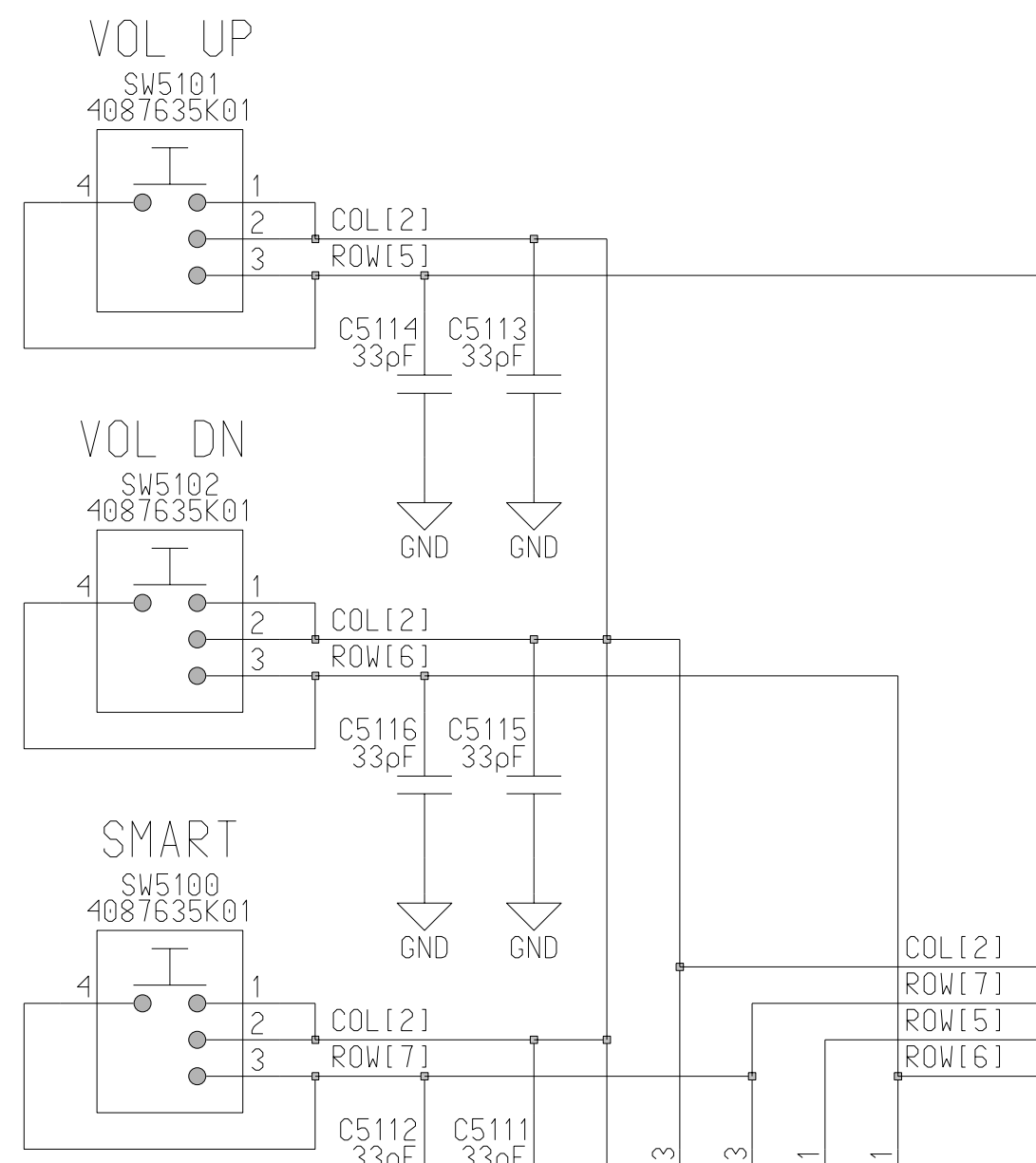


Engineer:	MOTOROLA INC.		
Drawn by:			
R&D CHK:	TITLE: V980	Size:	
DOC CTRL CHK:	Flash Memory		
MFG CTRL CHK:	REV: 0	Drawing Number: 8487724Y10	Page: Of:
QA CHK:	Date:	Time:	
Changed by:			

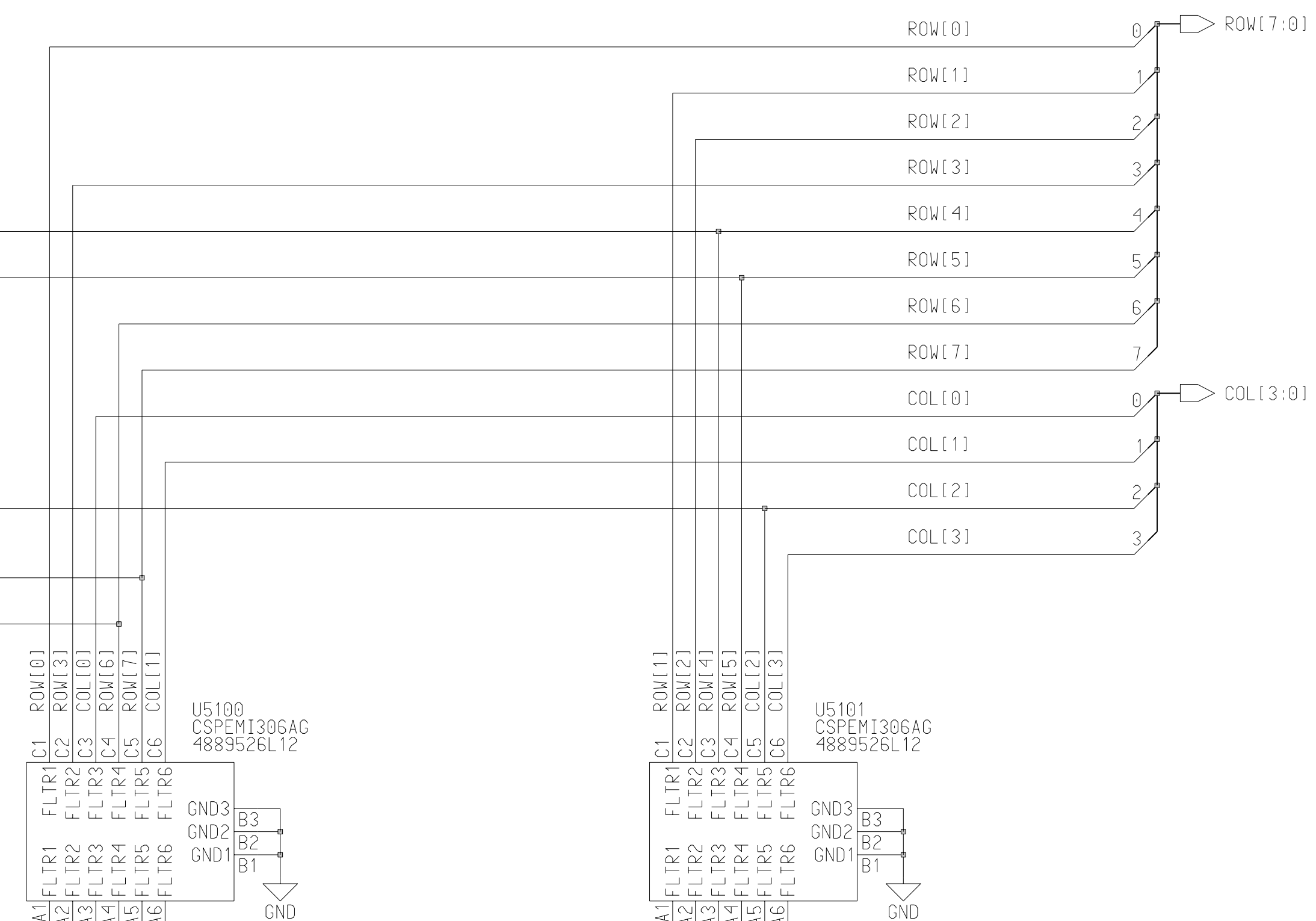
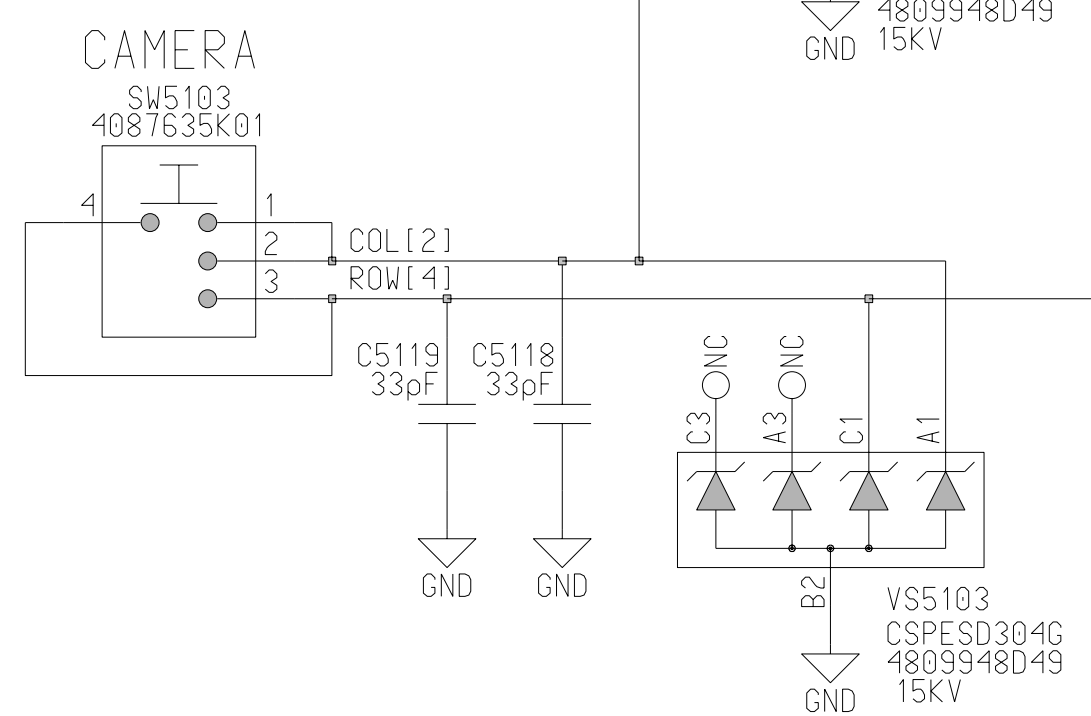


Engineer:	 <b>MOTOROLA INC.</b>		
Drawn by:			
R&D CHK:	TITLE: V980	Size:	
DOC CTRL CHK:	Misc Connectors		
MFG CTRL CHK:	REV: 0	Drawing Number: 8487724Y10	Page: Of:
QA CHK:	Date:	Time:	
Changed by:			

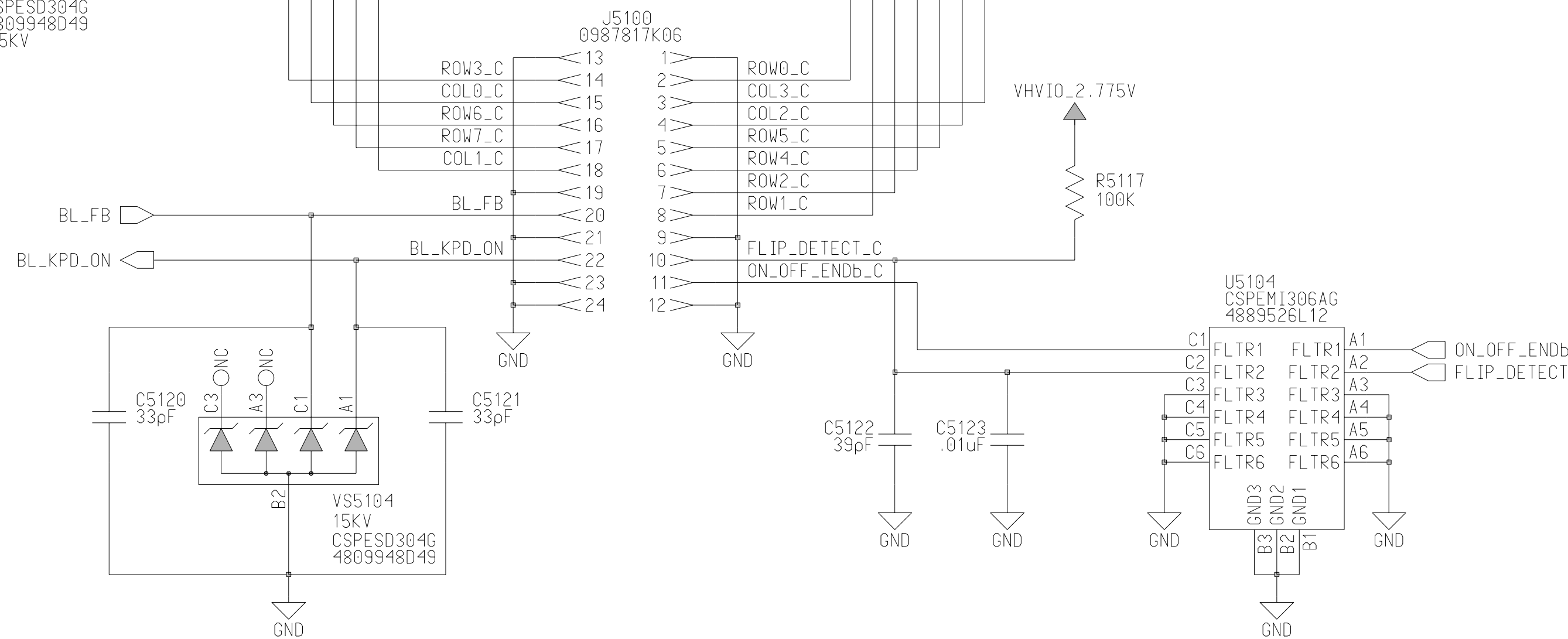
### Left Side Keys



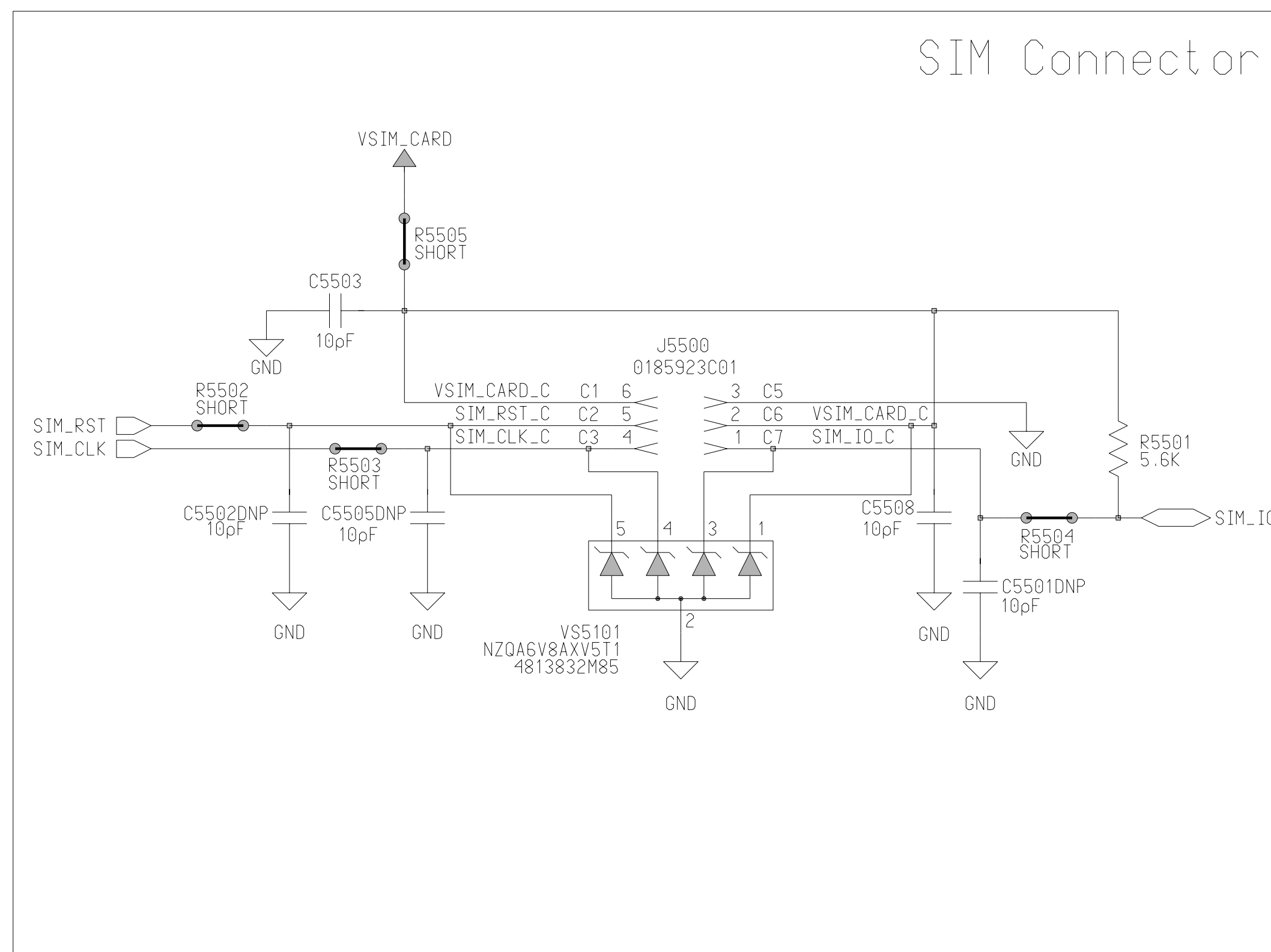
### Right Side Key



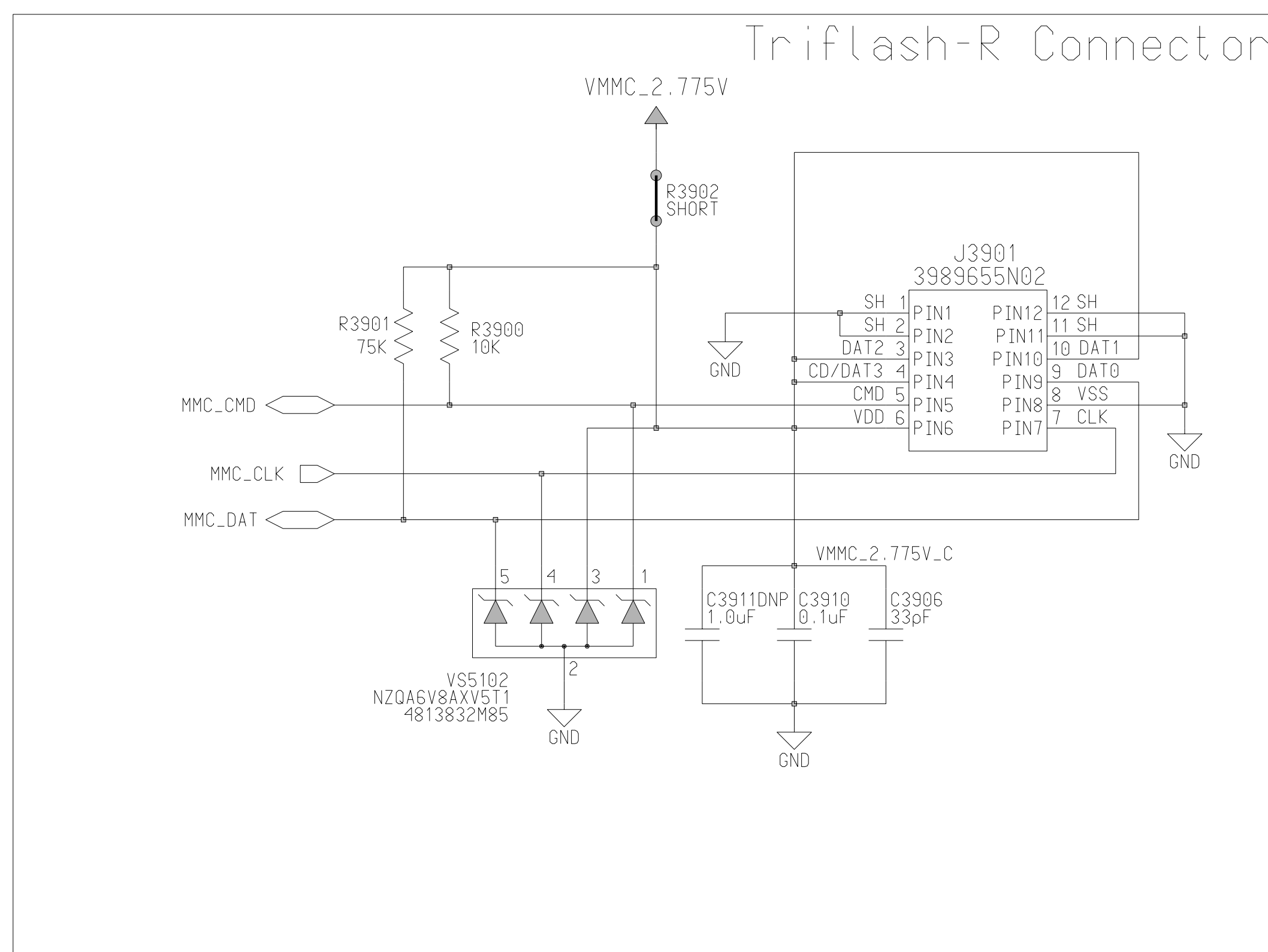
### Keypad Connector



### SIM Connector

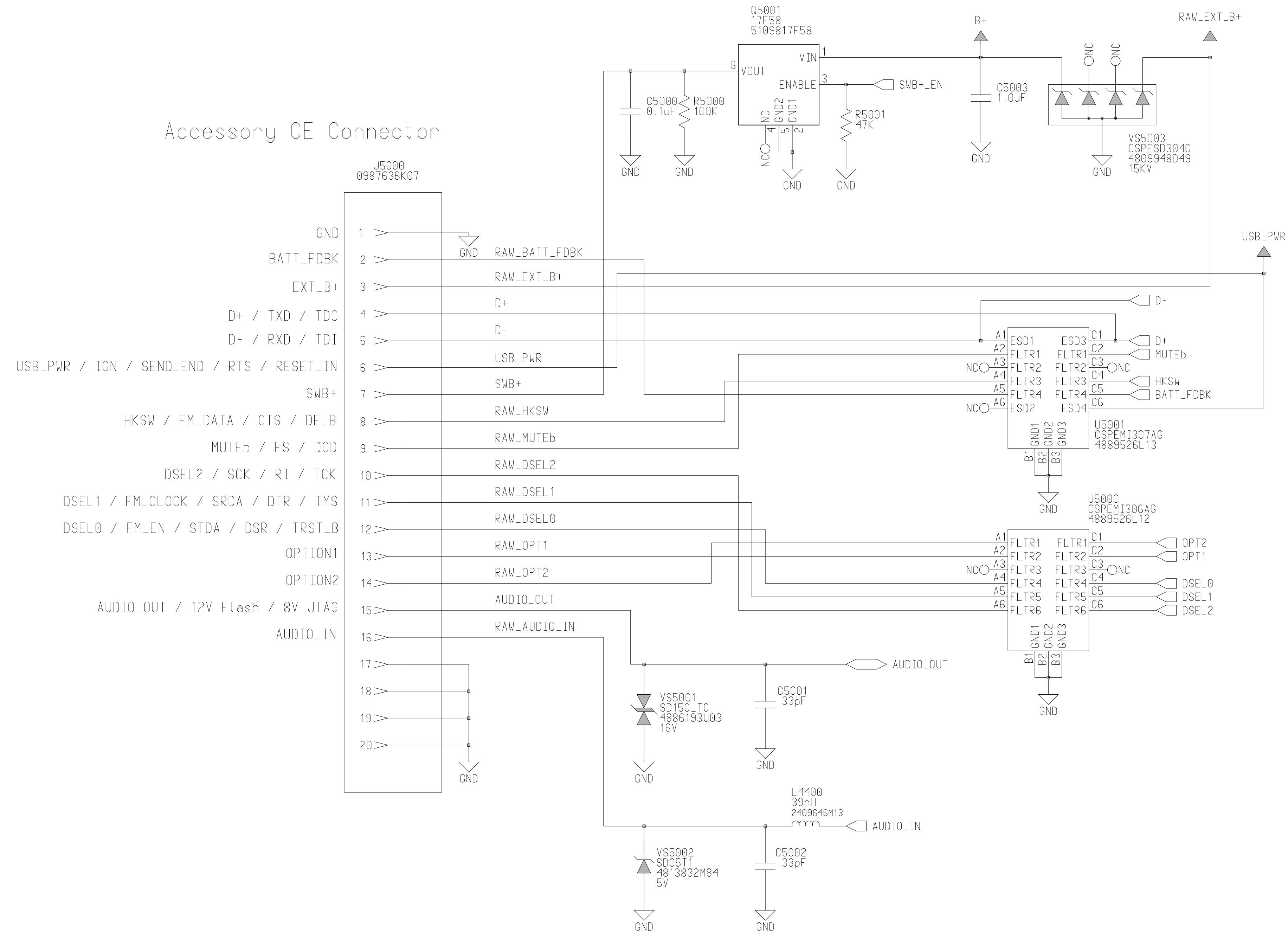


### Triflash-R Connector



Engineer:	MOTOROLA INC.		
Drawn by:			
R&D CHK:	TITLE: V980	Size:	
DOC CTRL CHK:	CE Connector		
MFG CTRL CHK:			
QA CHK:	REV: 0	Drawing Number: 8487724Y10	Page: Of:
Changed by:	Date:	Time:	

Accessory CE Connector





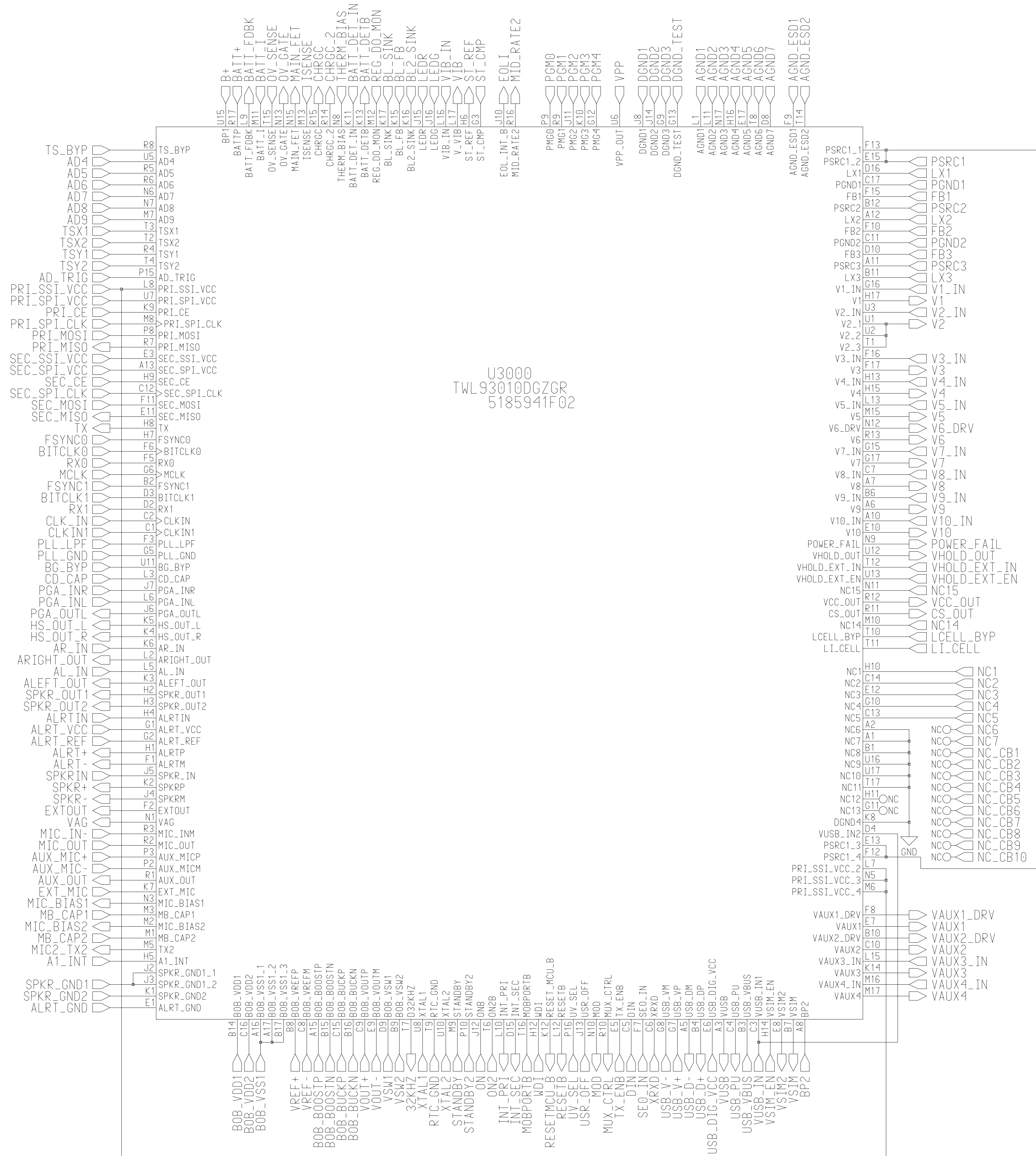
Engineer:			
Drawn by:			
R&D CHK:	TITLE: V980 / V975	Size:	
DOC CTRL CHK:	PCAP		
MFG CTRL CHK:	IC		
QA CHK:	REV: 0	Drawing Number: 8487724Y10	Page: Of:
Changed by:	Date:	Time:	

A

B

C

D



MOTOROLA CONFIDENTIAL PROPRIETARY

1

2

3

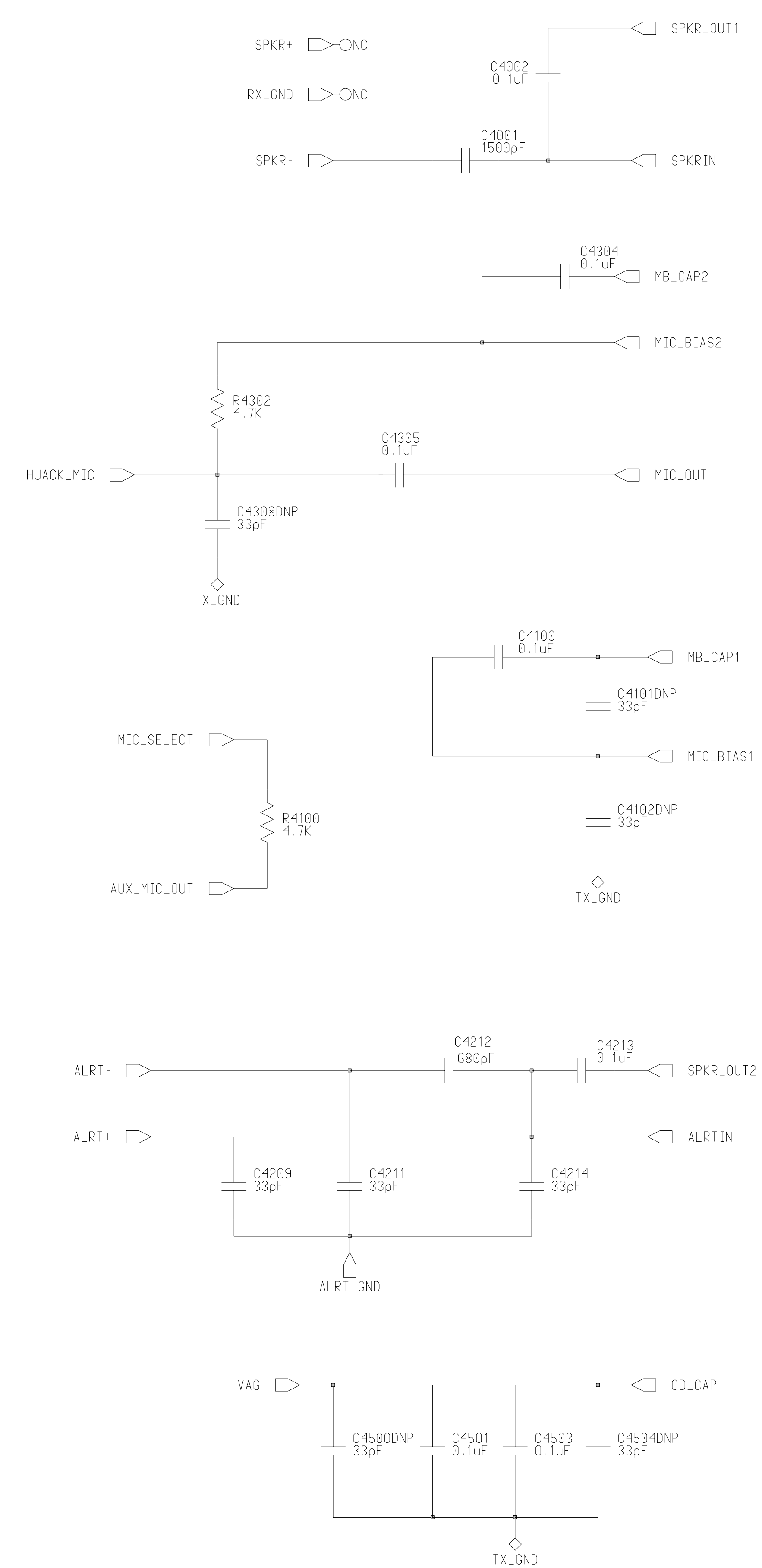
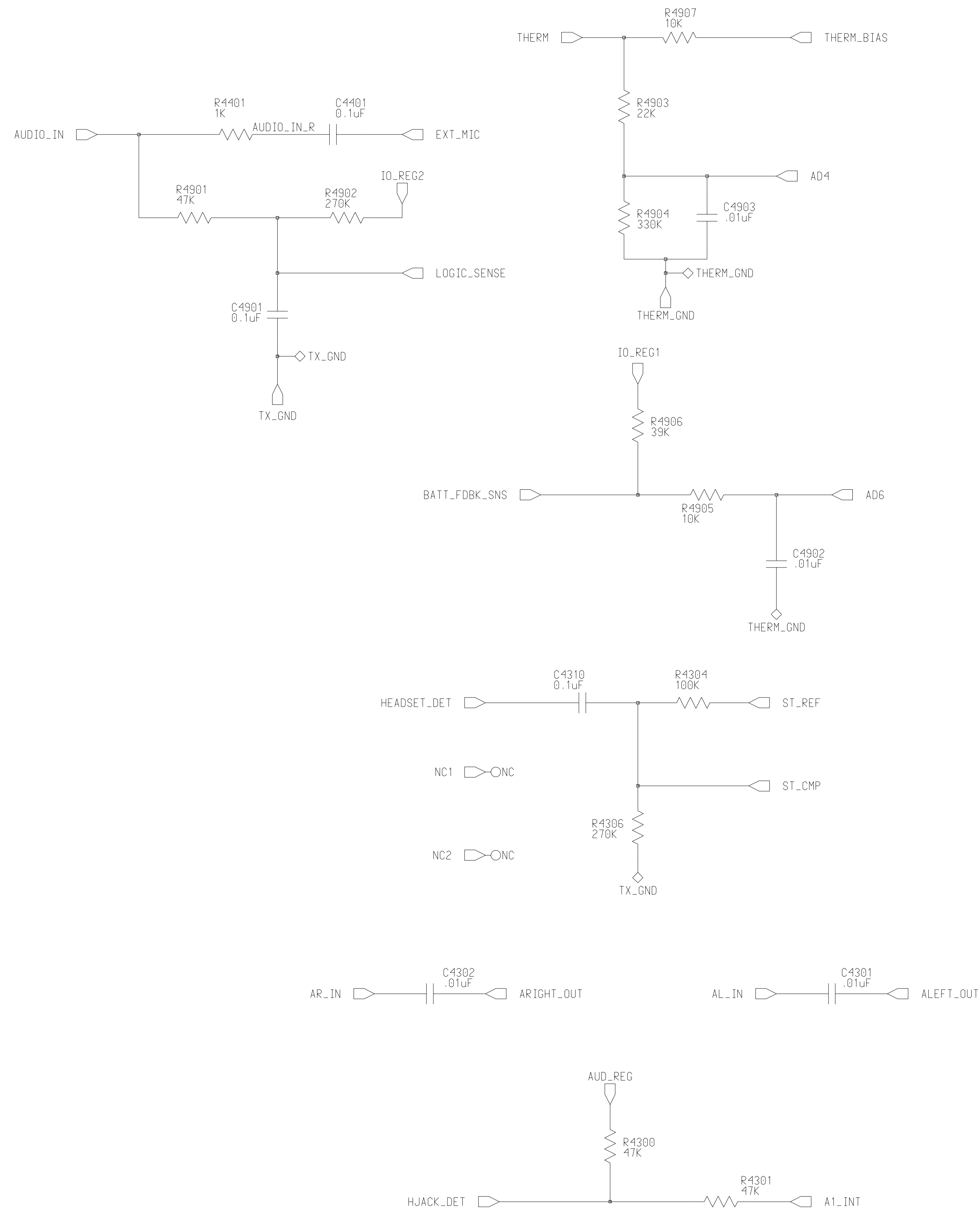
4

A

B

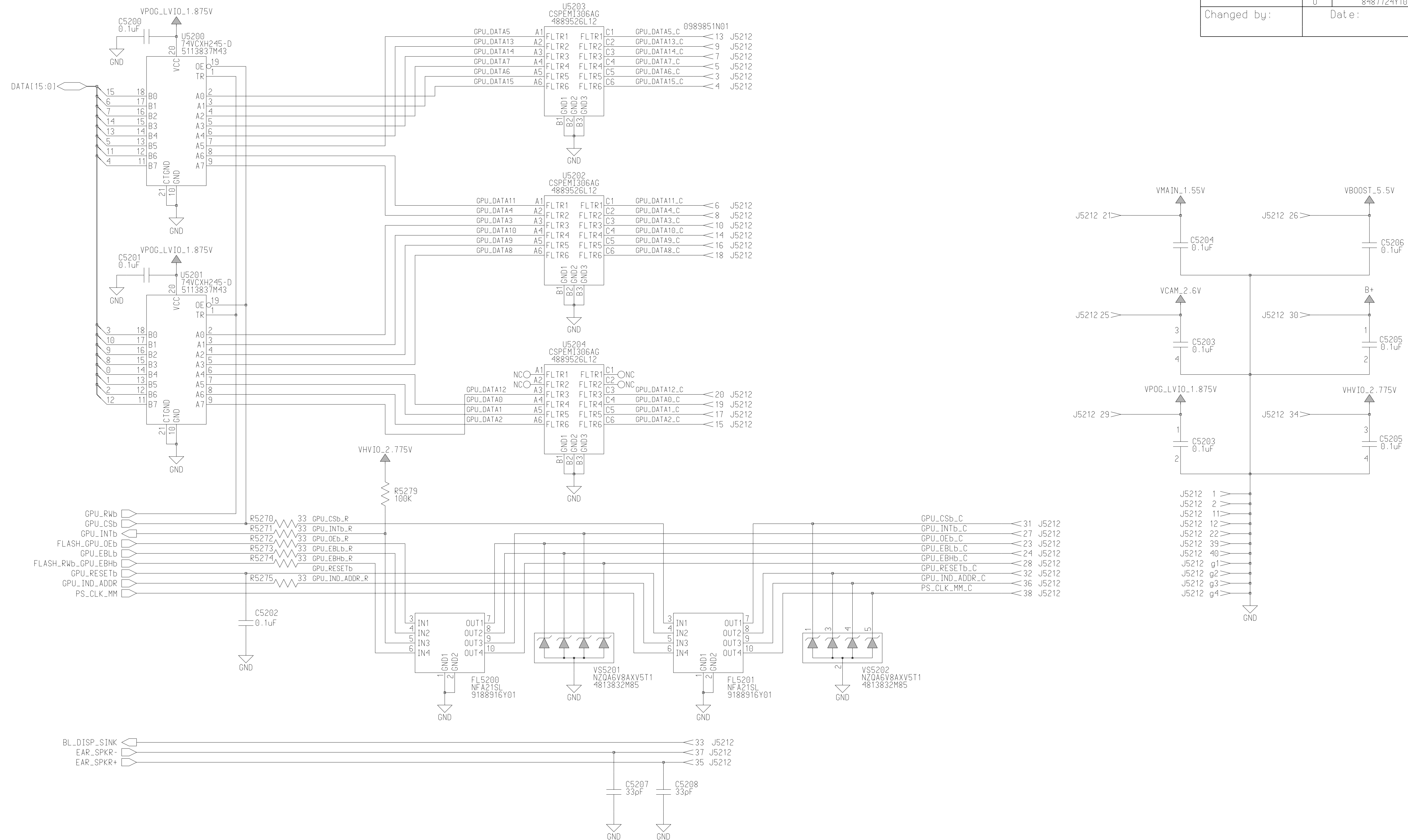
C

D



Engineer:	MOTOROLA INC.		
Drawn by:	Size:		
R&D CHK:	TITLE: V980 / V975	REV: 0	
DOC CTRL CHK:	PCAP	Drawing Number: 8487724Y10	Page: Of:
MFG CTRL CHK:	Audio Discretes	Date:	Time:
QA CHK:			
Changed by:			

Engineer:	MOTOROLA INC.		
Drawn by:			
R&D CHK:	TITLE: V980	Size:	
DOC CTRL CHK:	GPU & Flip Connector		
MFG CTRL CHK:	REV: 0	Drawing Number: 8487724Y10	Page: Of:
QA CHK:	Date:	Time:	
Changed by:			









Engineer:			
Drawn by:			
R&D CHK:	TITLE: V980	Size:	
DOC CTRL CHK:	POG		
MFG CTRL CHK:	Power Interface		
QA CHK:	REV: 0	Drawing Number: 8487724Y10	Page: Of:
Changed by:	Date:	Time:	

