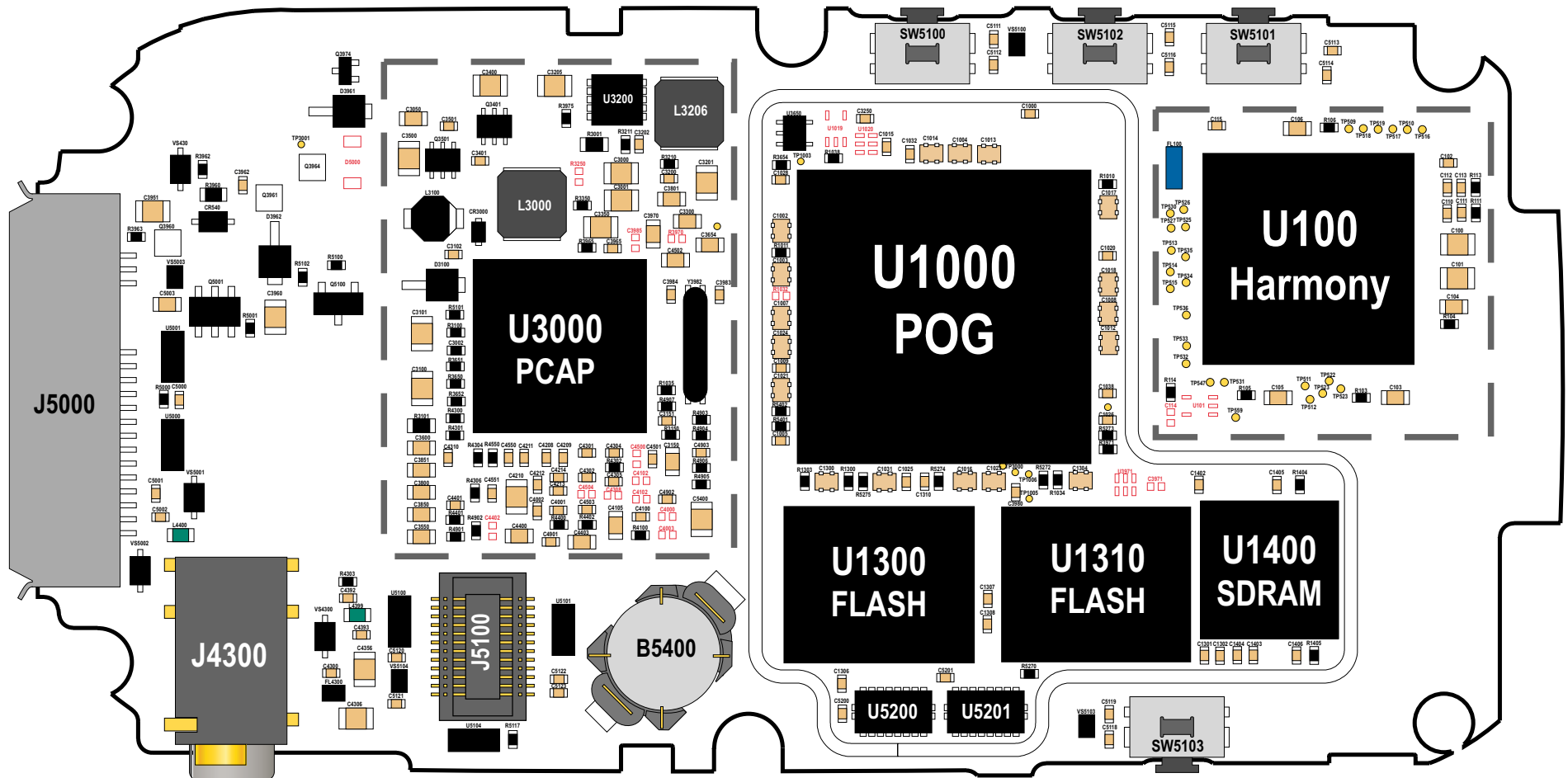


V980: Layout Side 1

PCB: 8487724Y11 Iss A



V980: Layout Side 2

PCB: 8487724Y11 Iss A

