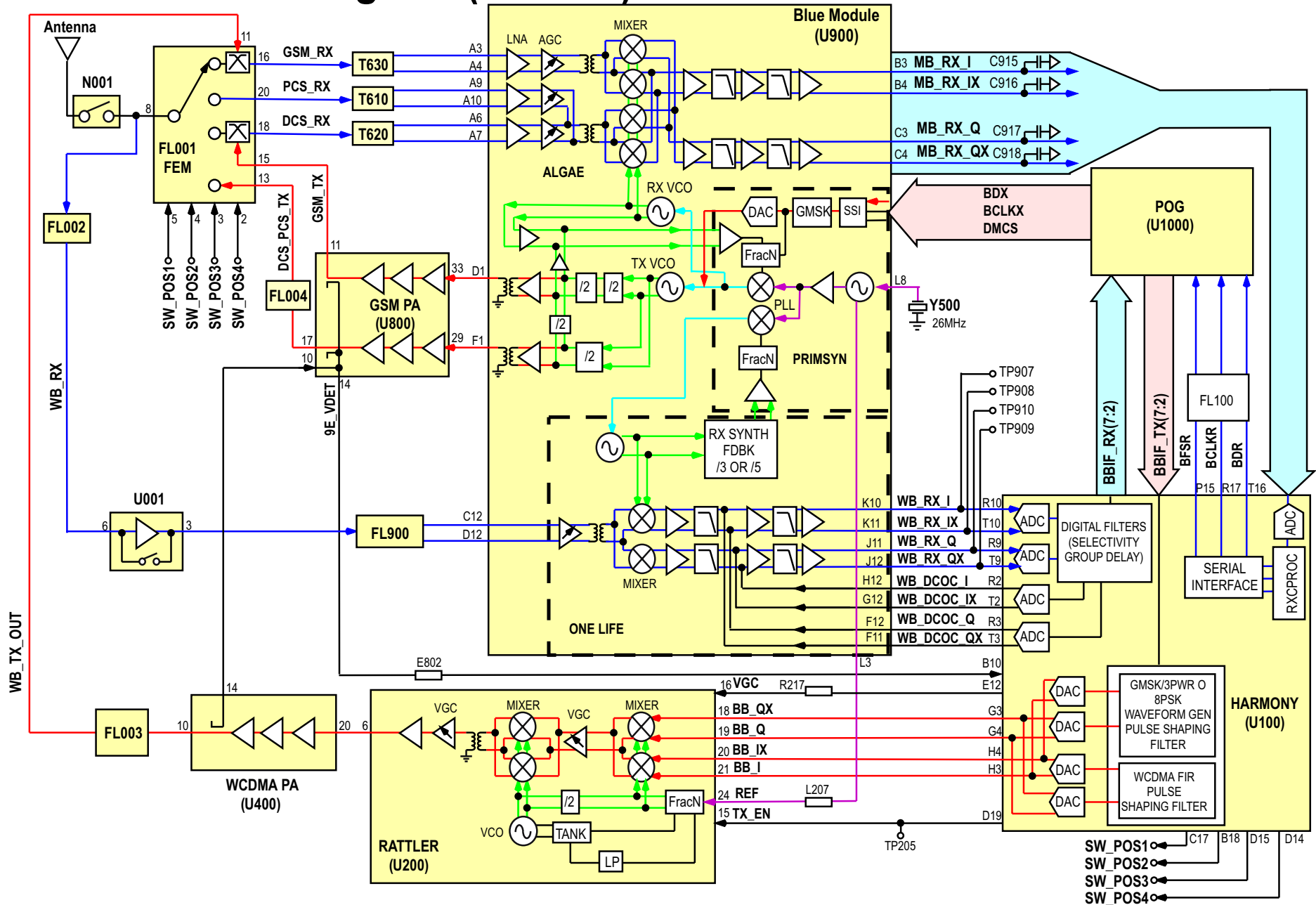


V980: RF Block Diagram (Rev 1.1)

PCB: 8487724Y11 Iss A



Motorola Confidential Proprietary