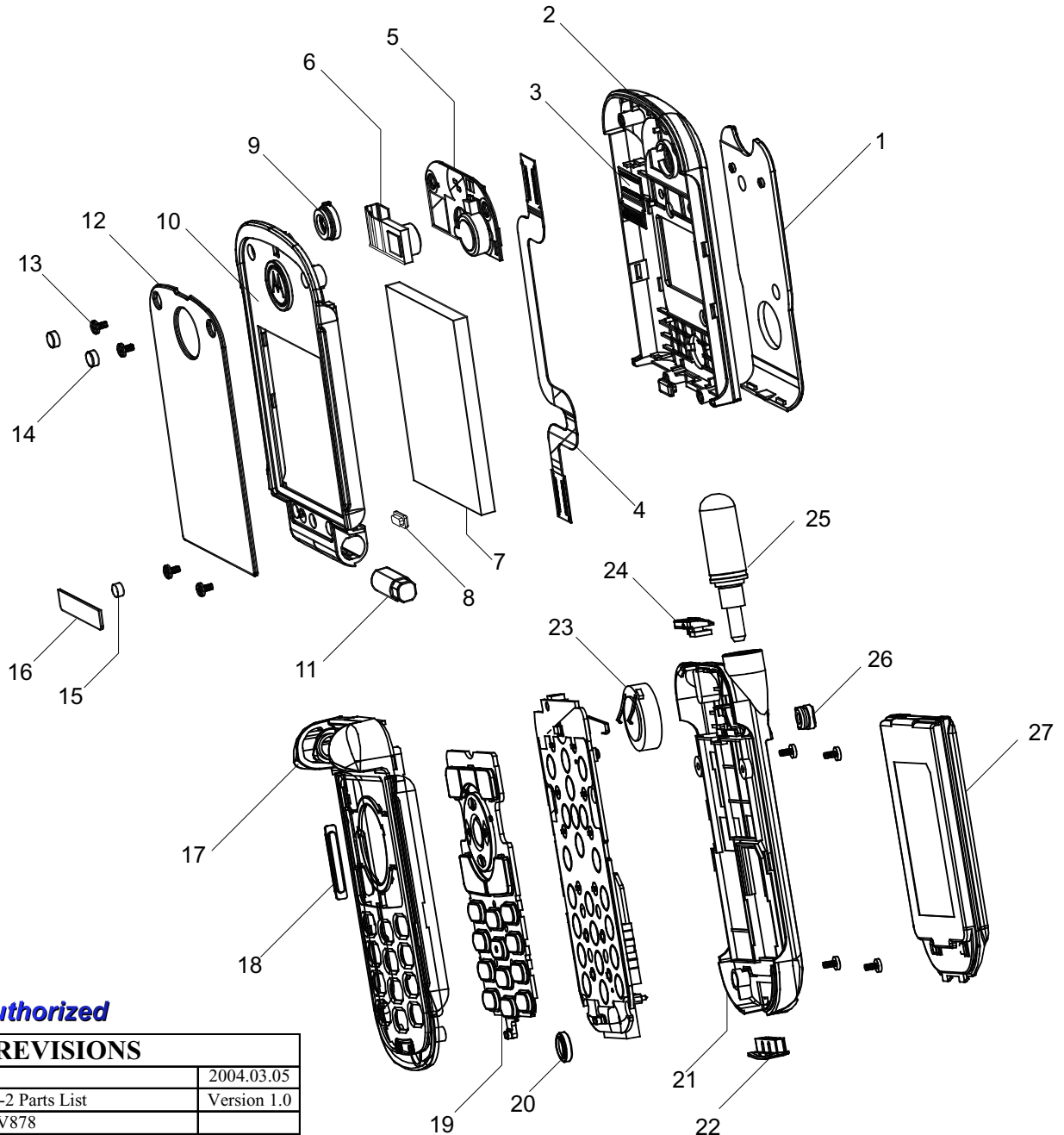


Item No.	Motorola Part No.	Description
1	METCH04002B	Lens Sub LCD
2	METCH61006B	Assembly Rear Housing Flip_Champagne
2	METCH61010B	Assembly Rear Housing Flip_White
3	METCH14002B	FPC LCM
4	METCH14001B	FPC Upper To Lower
5	SB0TCH1TA0E	PCB Upper Unit
6	S0C86102000	Camera
7	SLTD0030300	LCD Module
8	METCH36001A	Rubber FPC
9	S0R28908010	RECEIVER_8mm
10	METCH61009B	Assembly Front Housing Flip_Silver
10	METCH61005B	Assembly Front Housing Flip_Titanium
11	METCH24001A	Hinge
12	TBD	Lens Main LCD
13	W6101122520	Screw
14	METCH71003A	Cap Screw
15	METCH13001A	Magnet
16	METCH71001A	Cap Magnet

Item No.	Motorola Part No.	Description
17	METCH61007C	Assembly Front Housing_Champagne
17	METCH61011C	Assembly Front Housing_White
18	METCH51003B	Key Side
19	METCH07001C	Keypad-English
20	S0M23427020	Microphone
21	METCH61008C	Assembly Rear Housing_Champagne
21	METCH61012C	Assembly Rear Housing_White
22	TBD	Cap Connector
23	S0SX706Z010	Speaker
24	METCH36003B	Rubber Earphone_Champagne
24	METCH36004B	Rubber Earphone_Cool Gray
25	S0A99100110	ANTENNA_Color:Champagne_
25	S0A991011F0	ANTENNA_Color:White_
26	TBD	Cap RF
27	BPTCHSY301G	BATTERY PACK_Champagne Gold_
27	BPTCHSY301W	BATTERY PACK_White_




Level 1&2 Authorized

REVISIONS

	2004.03.05
Level 1-2 Parts List	Version 1.0
V878	
Ralf Lorenzen-Scheil	Page 1 of 1