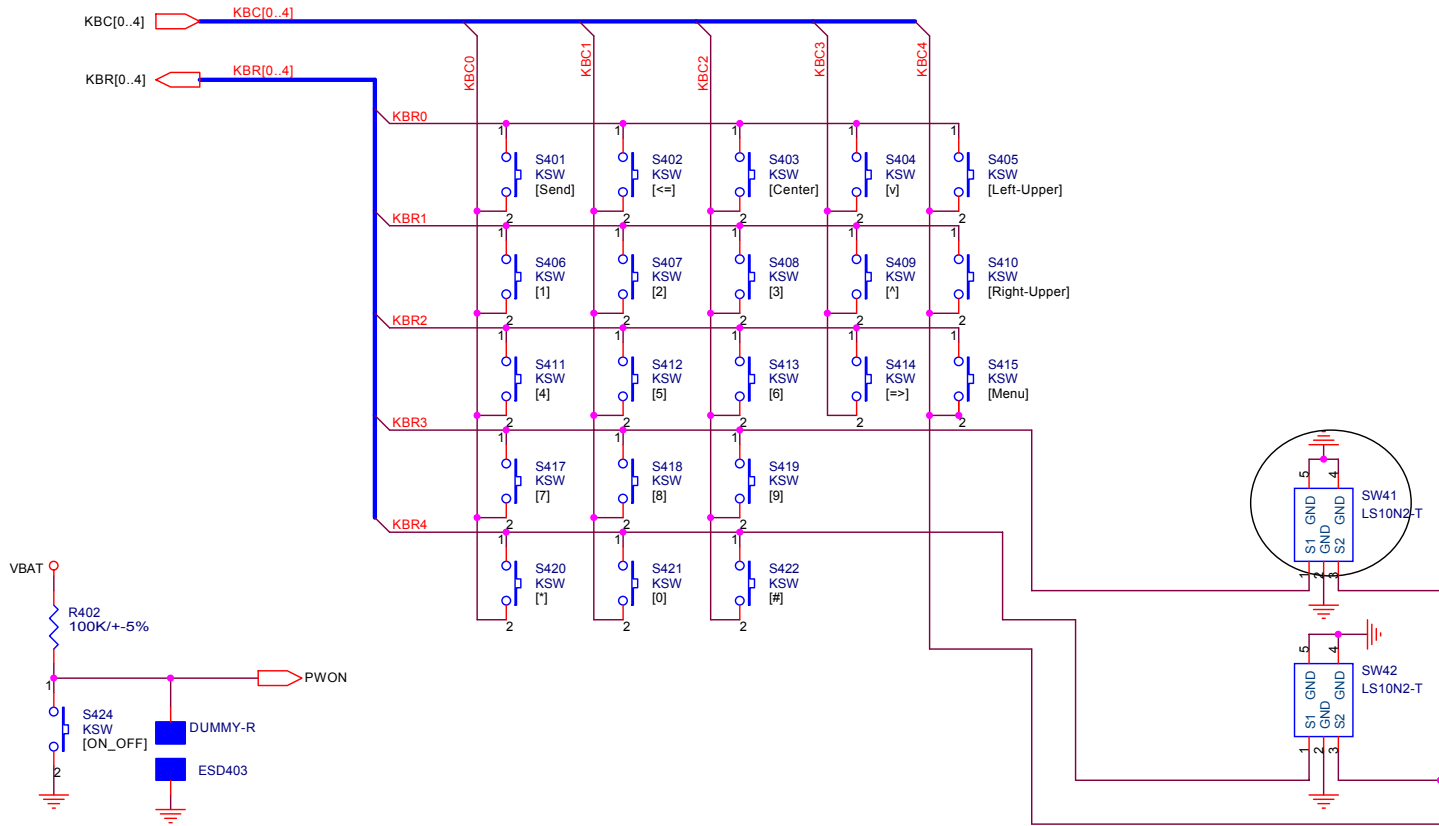
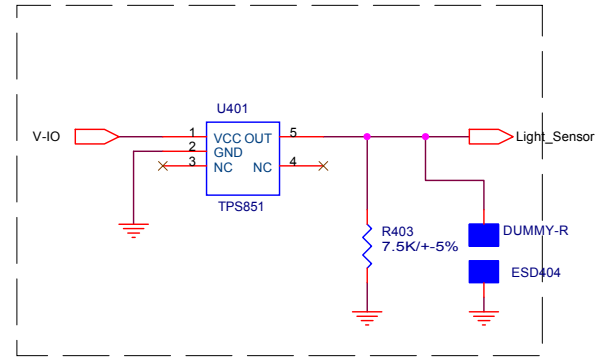
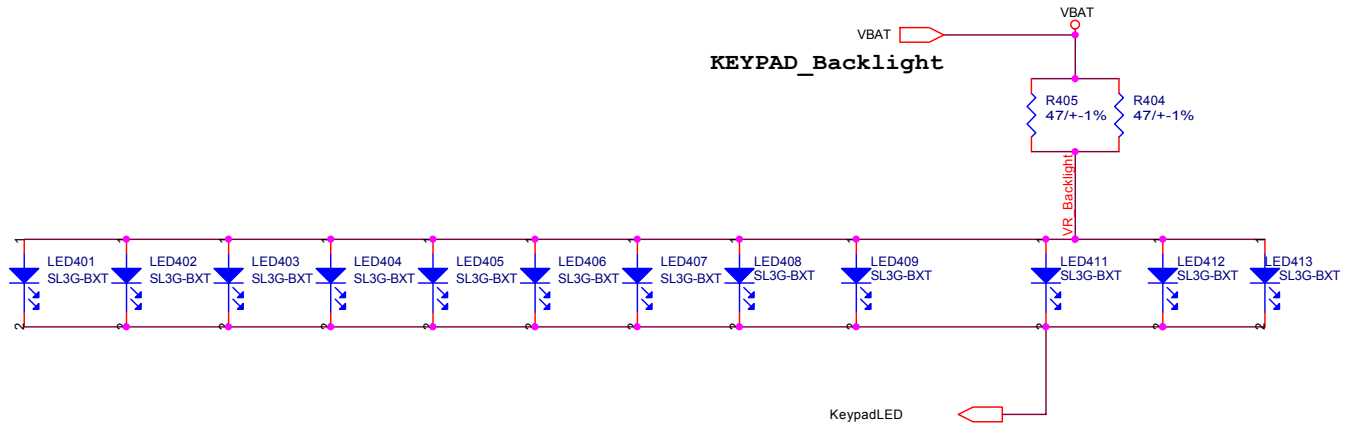


CMCS Chi Mei Communication Systems, Inc.		
Title 0 Top Schematic		
Size A3	Document Number <Doc>	Rev 1.0
Date 星期五, 十月 31, 2003	Sheet 1	of 7

KEYPAD

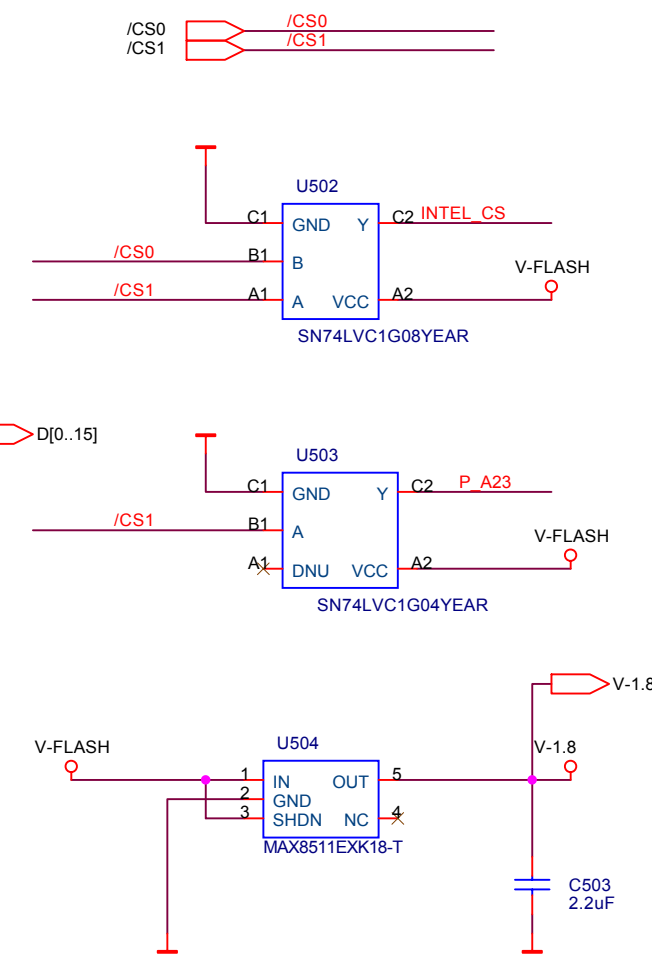
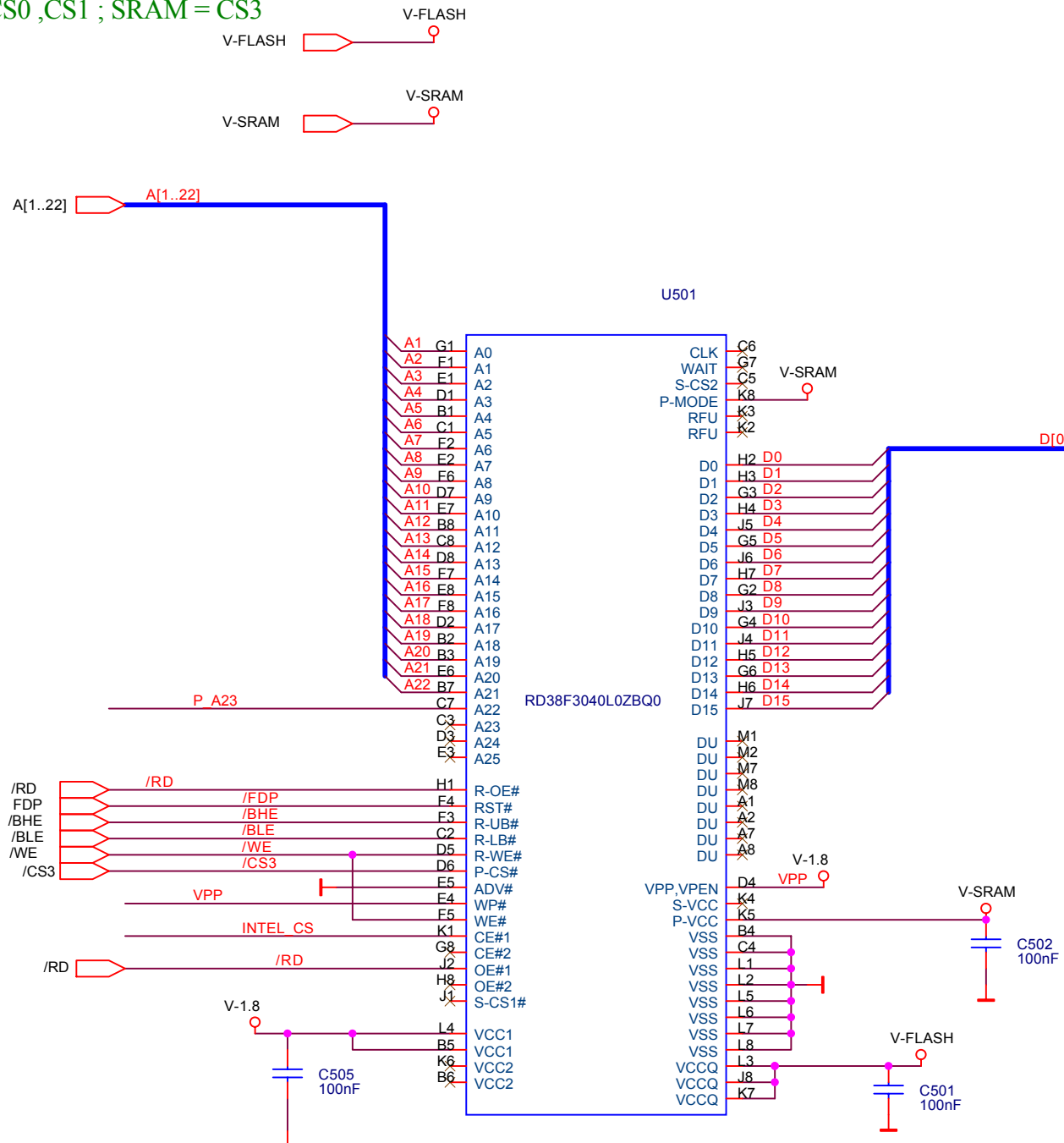


KEYPAD_Backlight



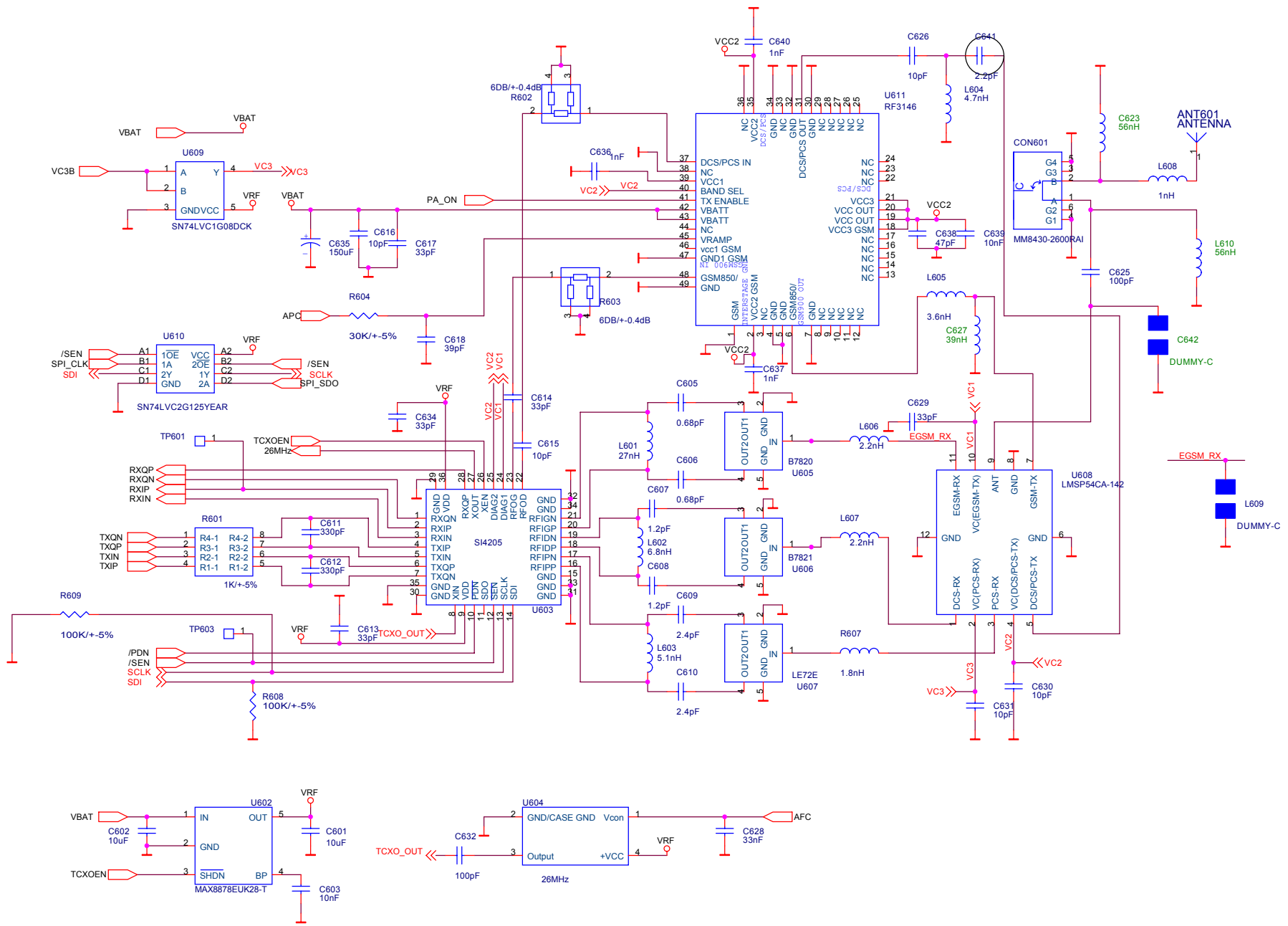
CMCS Chi Mei Communication Systems, Inc.		
Title: 4 Keypad		
Size: B	Document Number: <Doc>	Rev: 1.0
Date: 星期五, 十月 31, 2003	Sheet: 2 of 7	

Flash = CS0 ,CS1 ; SRAM = CS3

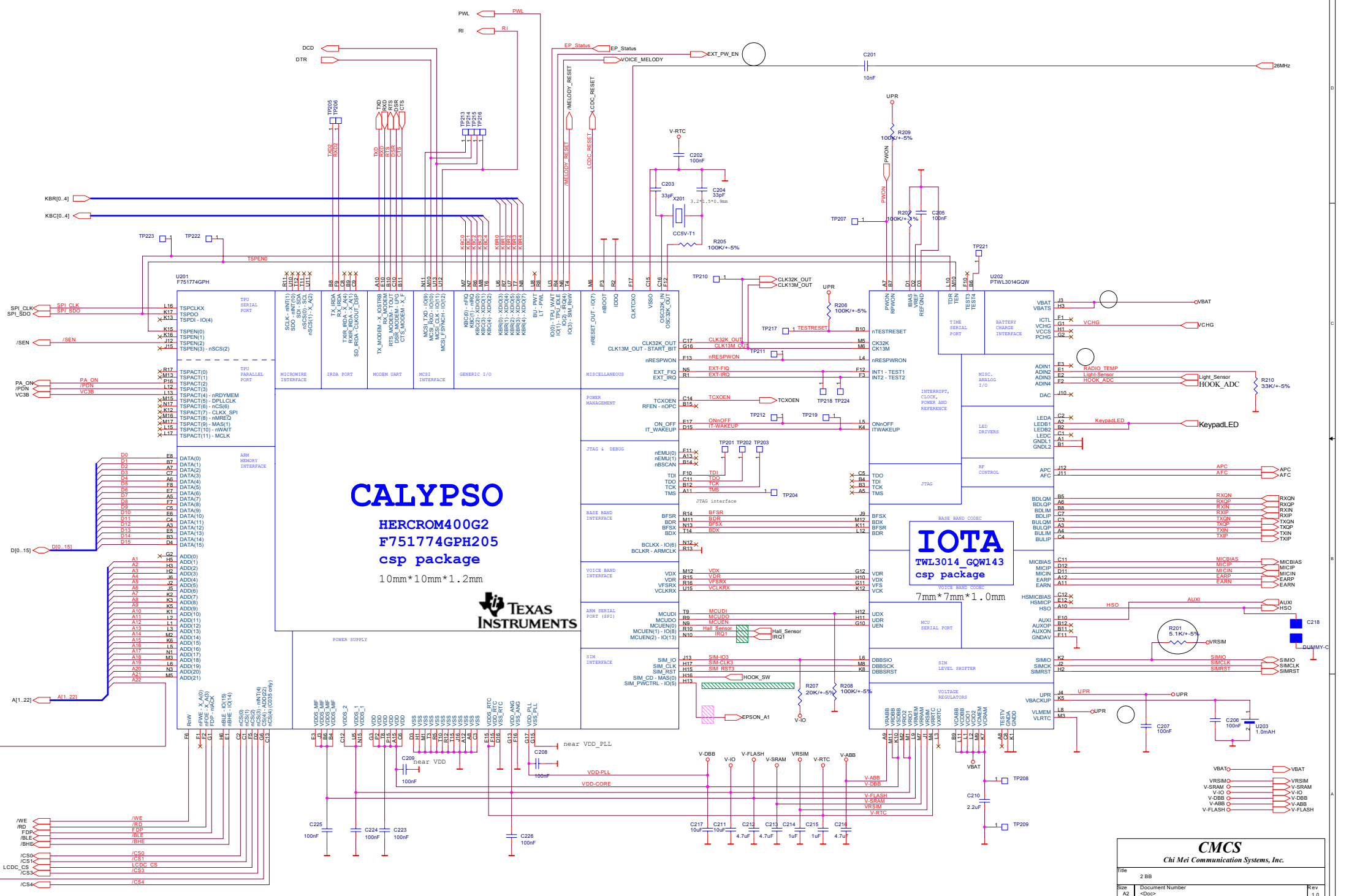


CMCS
Chi Mei Communication Systems, Inc.

Title		
5 Memory		
Size	Document Number	Rev
A4	<Doc>	1.0
Date:	星期五, 十月 31, 2003	Sheet 3 of 7



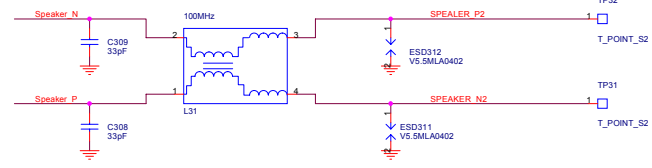
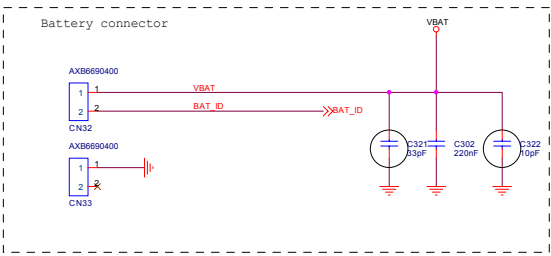
CMCS Chi Mei Communication Systems, Inc.		
Title	6 RF	
Size	Document Number	Rev
A3	<Doc>	1.0
Date	星期四, 十一月 27, 2003	Sheet 4 of 7



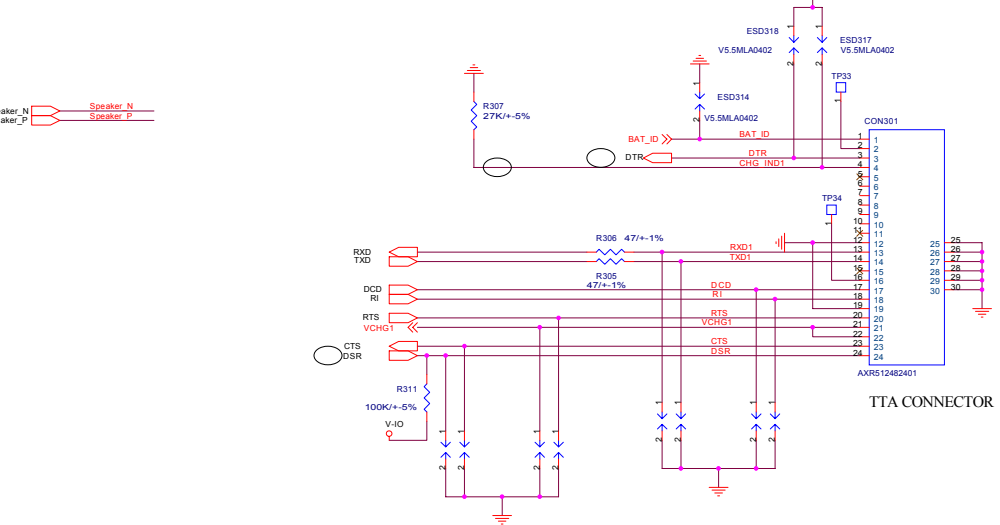
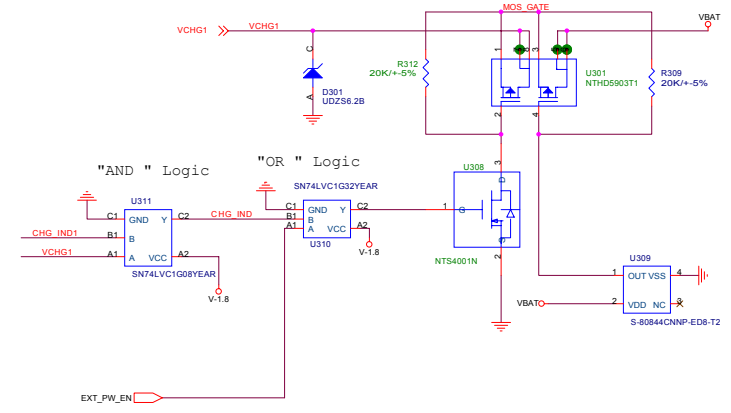
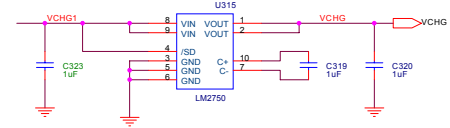
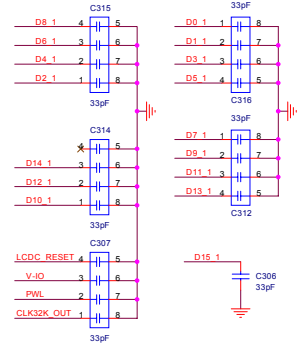
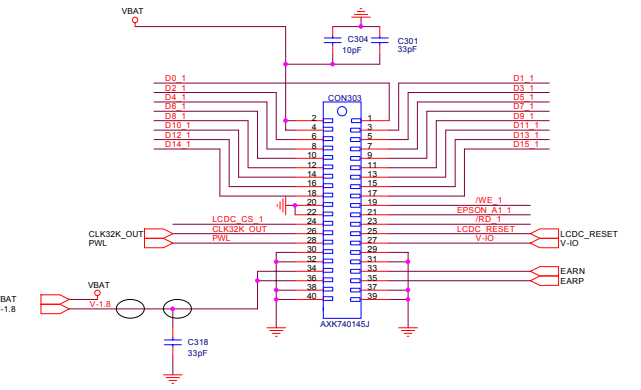
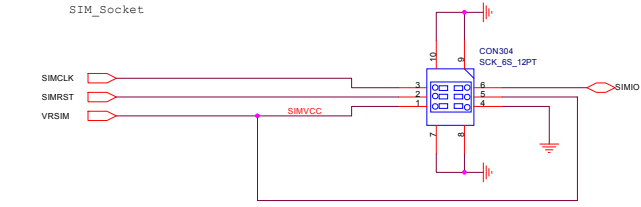
CALYPSO
HERCROM400G2
F751774GPH205
 csp package
 1.0mm*1.0mm*1.2mm



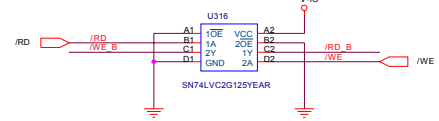
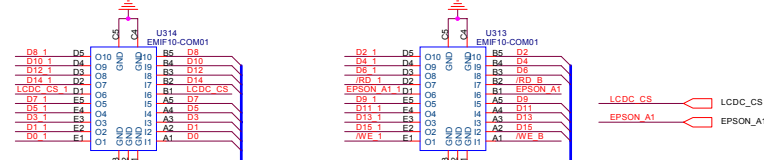
IOTA
TWL3014_GQW143
 csp package
 7mm*7mm*1.0mm



FOR TT ONLY



TTA CONNECTOR



- ESD319 V5.SMLA0402
- ESD322 V5.SMLA0402
- ESD323 V5.SMLA0402
- ESD315 V5.SMLA0402
- ESD324 V5.SMLA0402
- ESD321 V5.SMLA0402
- ESD320 V5.SMLA0402
- ESD316 V5.SMLA0402

CMCS Chi Mei Communication Systems, Inc.			
File	3 IO		
Size	Document Number		Rev
A2	<Doc>		1.0
Date:	星期二, 十二月 03, 2003	Sheet	7 of 7