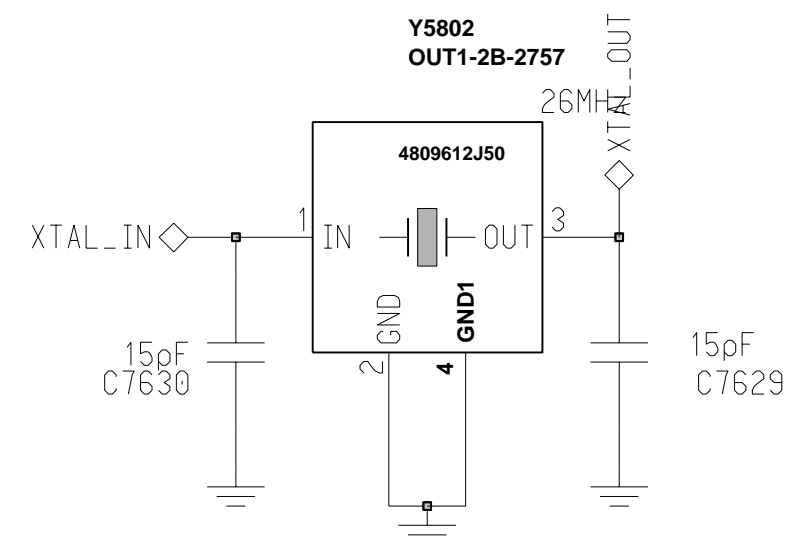
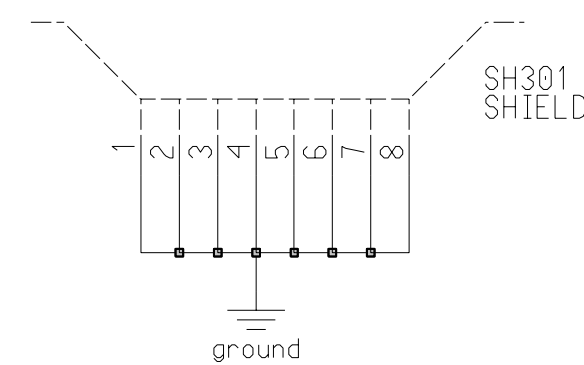
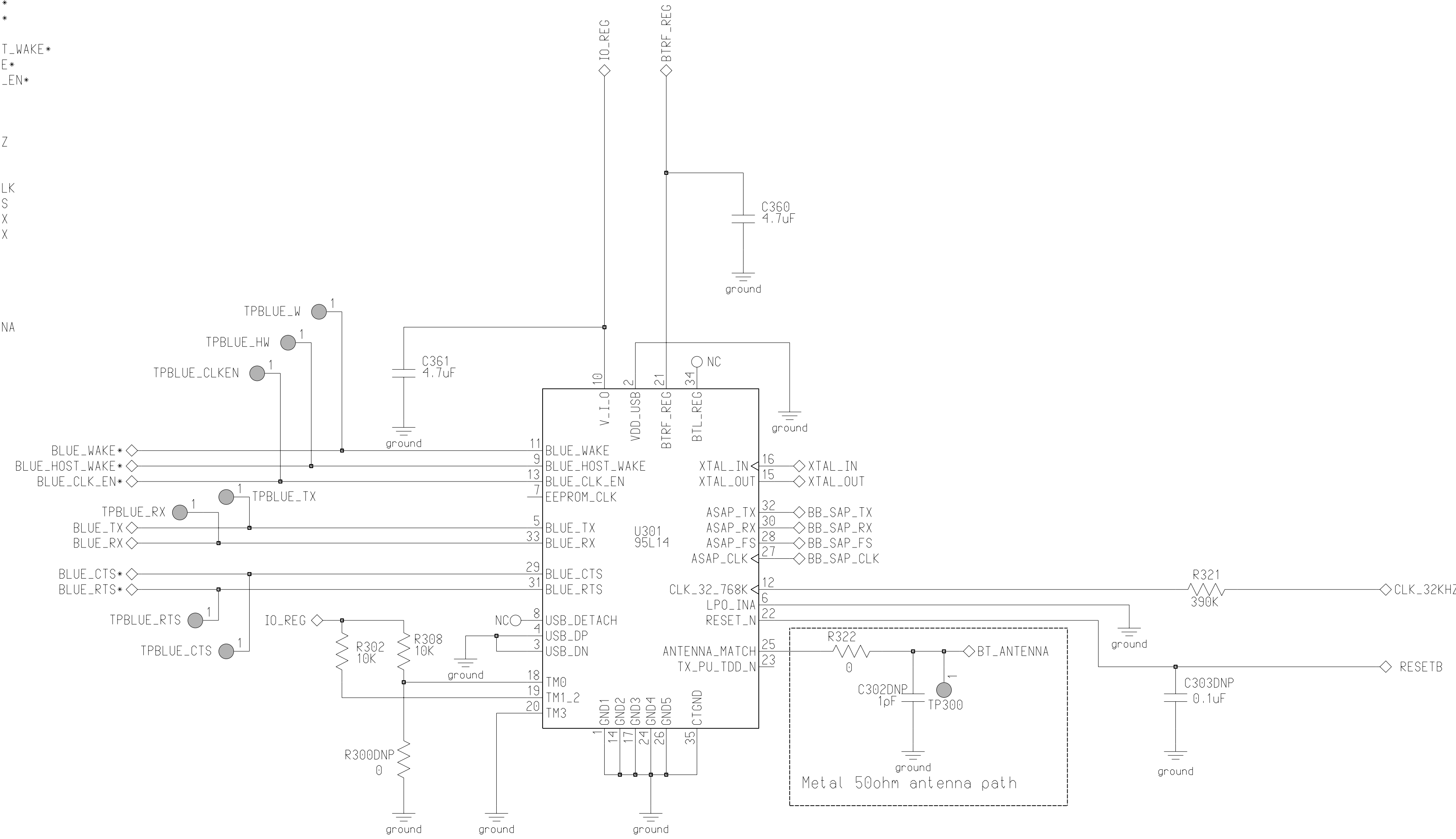
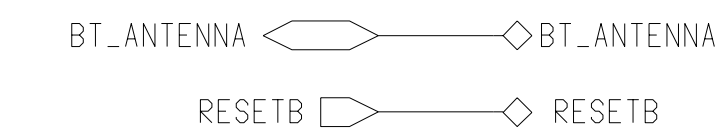
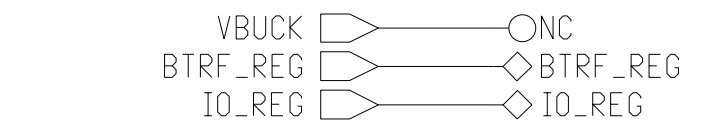
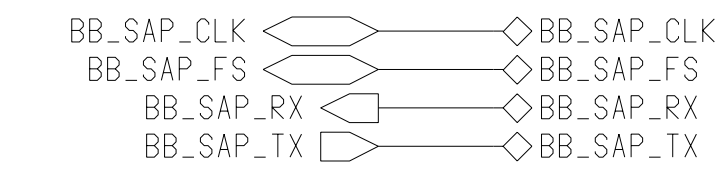
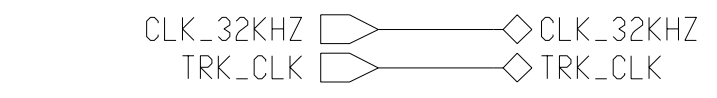
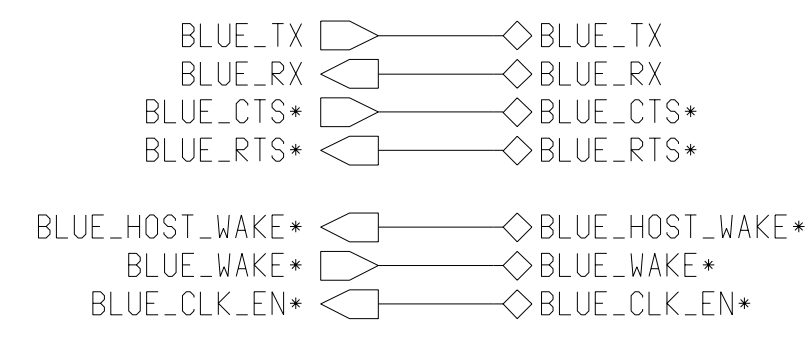


Engineer: RH FENG	MOTOROLA INC.	
Drawn by: RH FENG	TITLE: V80 XCVR MAIN	Size: 11x34
DDC CTRL CHK:	RF SHEET	
MFG CTRL CHK:	REV: 0	Page: 7
QA CHK:	Date:	Time:
Changed by: RH FENG	RELEASE FOR PRODUCTION.	RH FENG
REV. A 15MAR2004	DEL L60NP.	RH FENG



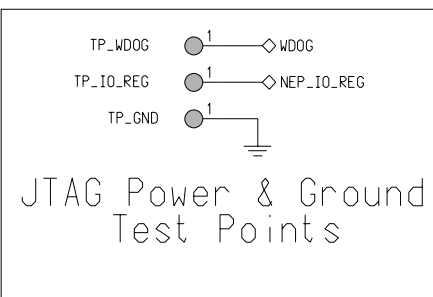
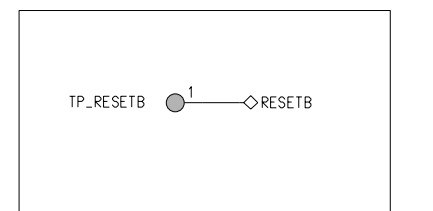
Supply Name	VDC
BTRF_REG	1.8
VBUCK	1.8
IO_REG	2.75

Engineer: Gooi Sudarson			
Drawn by: Michelle Gui			
R&D CHK:	TITLE: V80 XCVR MAIN BLUETOOTH SHEET	Size:	
DOC CTRL CHK:			
MFG CTRL CHK:			
QA CHK:	REV: 8486752P	Drawing Number:	Page: Of:
Changed by: Gary Quartana	Date:	Time:	
REV.0 17FEB2004	RELEASE FOR PRODUCTION.		
REV.A 22MAR2004	NO CHANGE.		

MOTOROLA CONFIDENTIAL PROPRIETARY

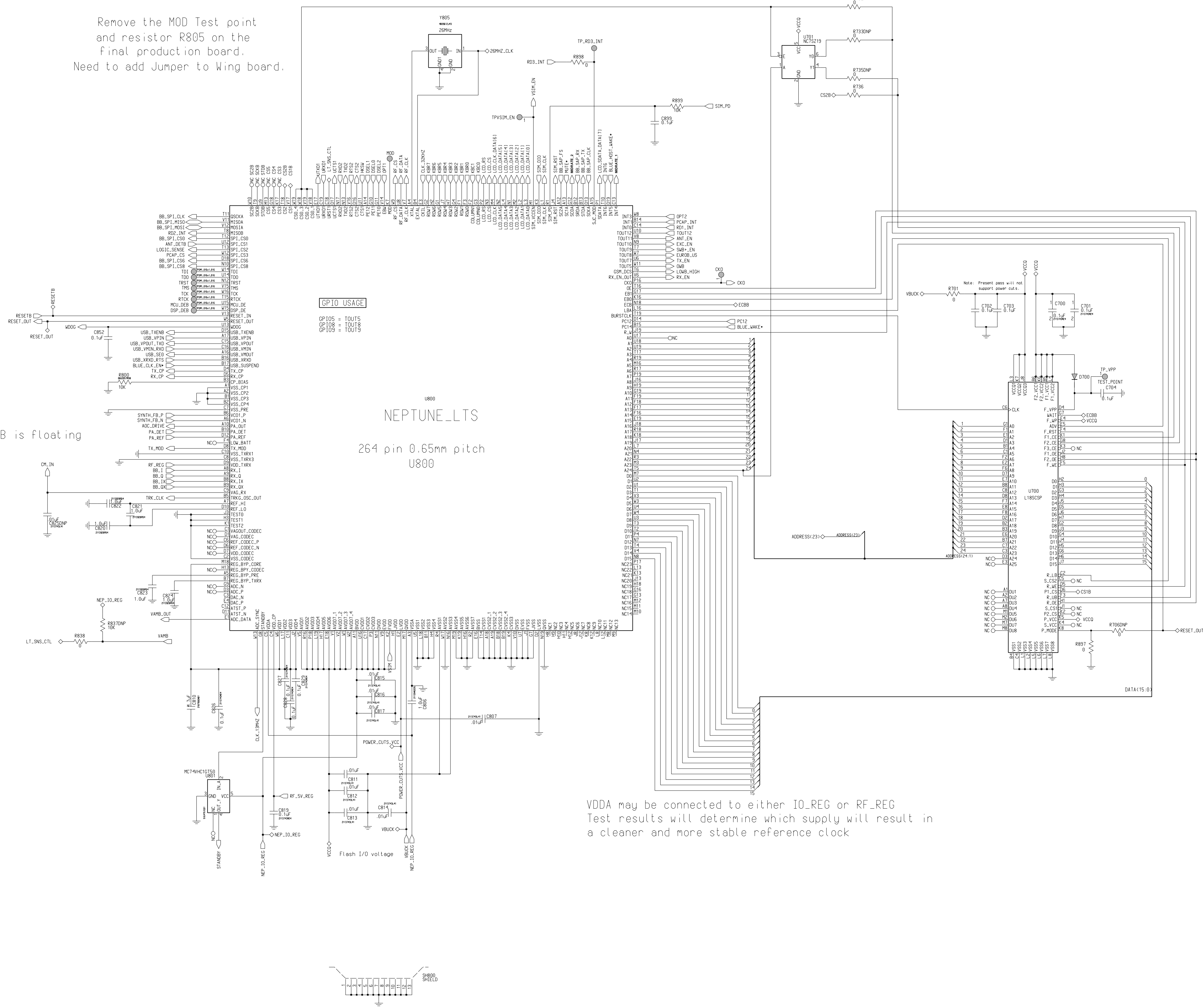
Engineer: Sudarson	MOTOROLA INC.		
Drawn by: Sudarson	TITLE: V80 XCVR MAIN	Size: 29x22	
Rev. Ctrl. Chk: Sudarson	MFG. CTRL. CHK: BASEBAND PROCESSOR		
DA. CHK:	REV. 0	Drawing Number:	Page: 1 of 1
Changed by: Leng Soon Wah	Date:		Time:
REV. 0 17FEB2004	RELEASE FOR PRODUCTION.		
REV. A 22MAR2004	NO CHANGE.		

Remove the MOD Test point  
and resistor R805 on the  
final production board.  
Need to add Jumper to Wing board.



LOW\_BATT\_B is floating

Only place R810, R811 and C818  
if there is an issue in keeping  
the CODEC and ADC powered  
Route JVDD carefully



VDDA may be connected to either IO\_REG or RF\_REG  
Test results will determine which supply will result in  
a cleaner and more stable reference clock

D

C

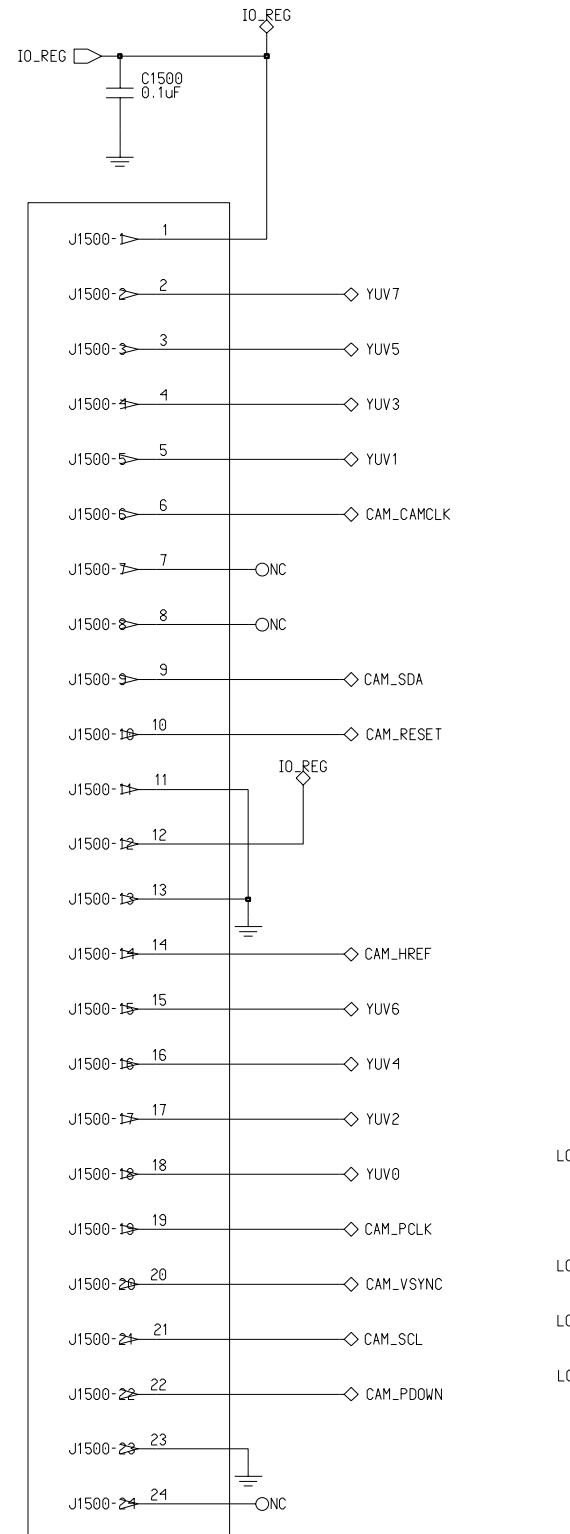
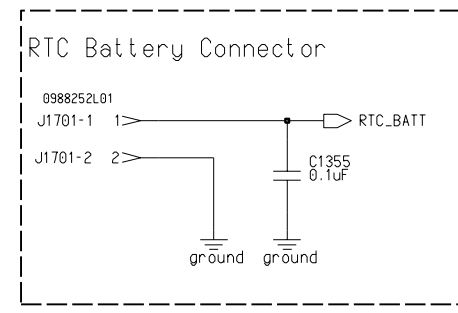
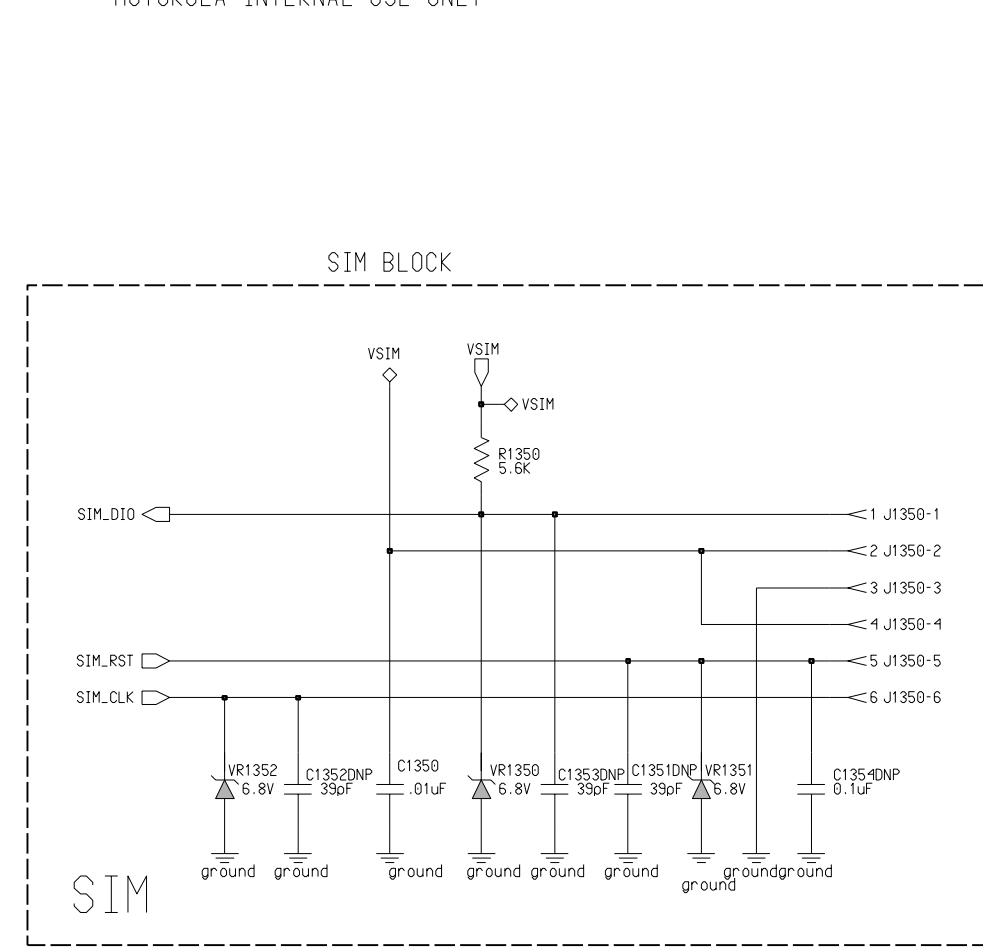
B

A

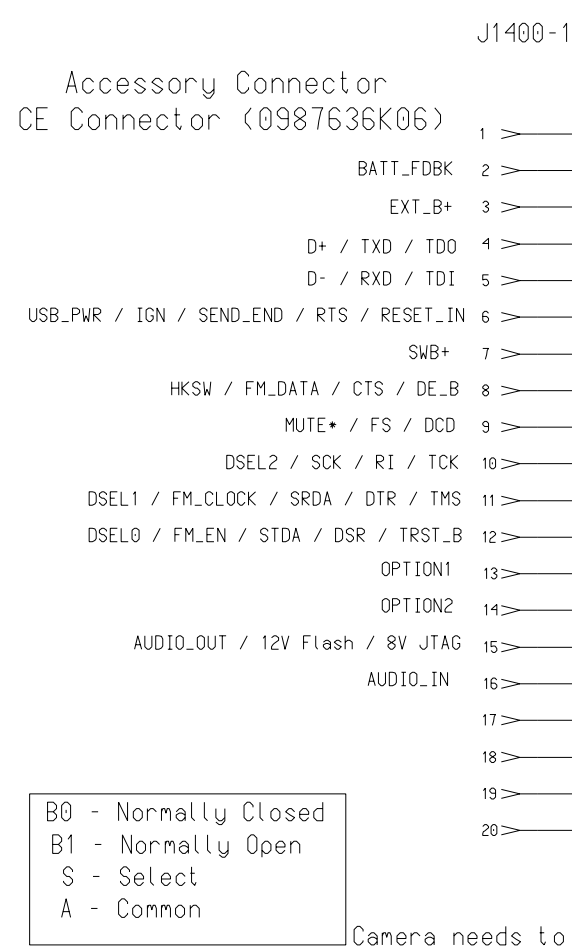
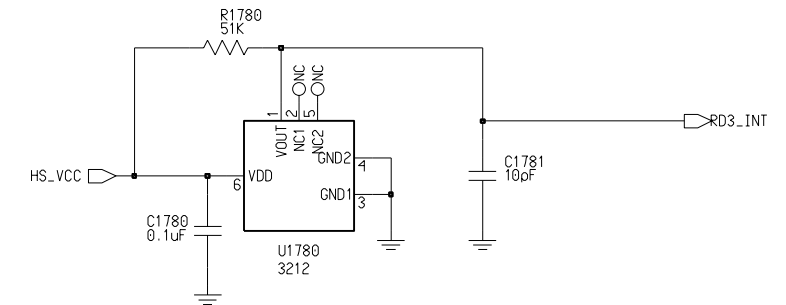
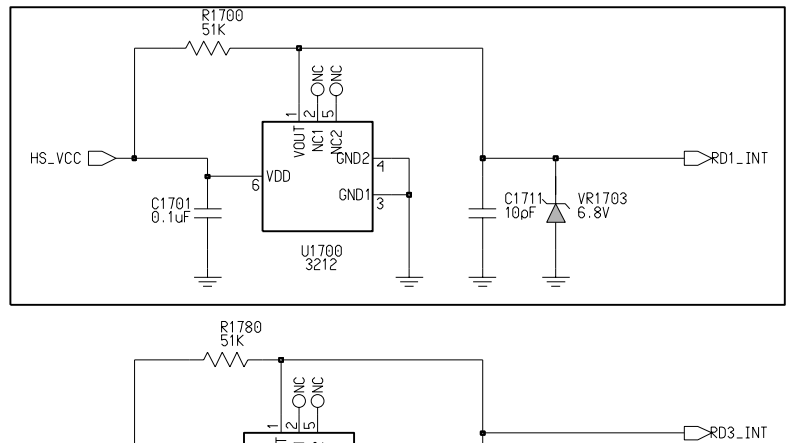
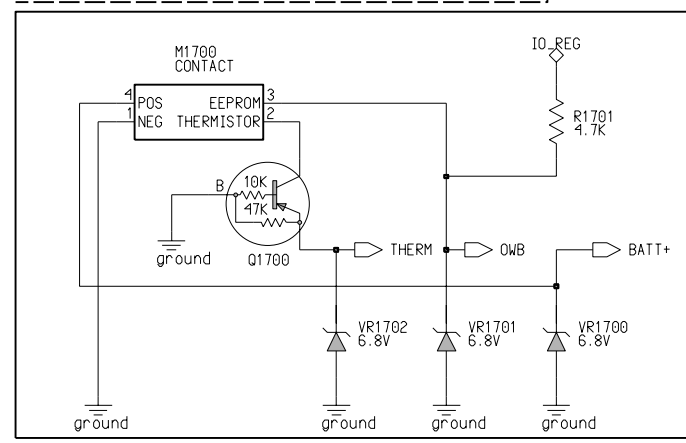
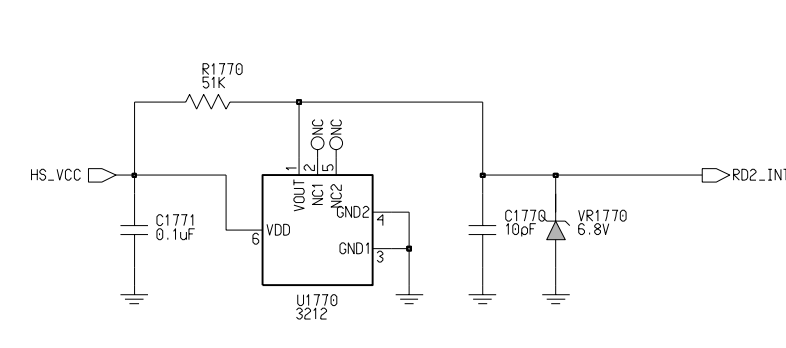
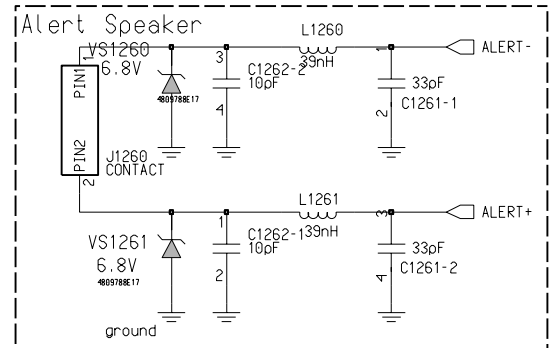


MOTOROLA INTERNAL USE ONLY

Engineer: Gopi Sudarson	TITLE: V80 XCVR MAIN		Size: 34x22
Drawn by: M. Chellappan	REV: 6		Page: 1
UDC CHK: MFG CTRL CHK:	CONNECTIVITY SHEET		Of: 1
QA CHK:	REV: 6	Drawing Number: 1398289P01	Date: 11/13/04
Changed by: Gopi Sudarson	Date: 11/13/04	Time:	

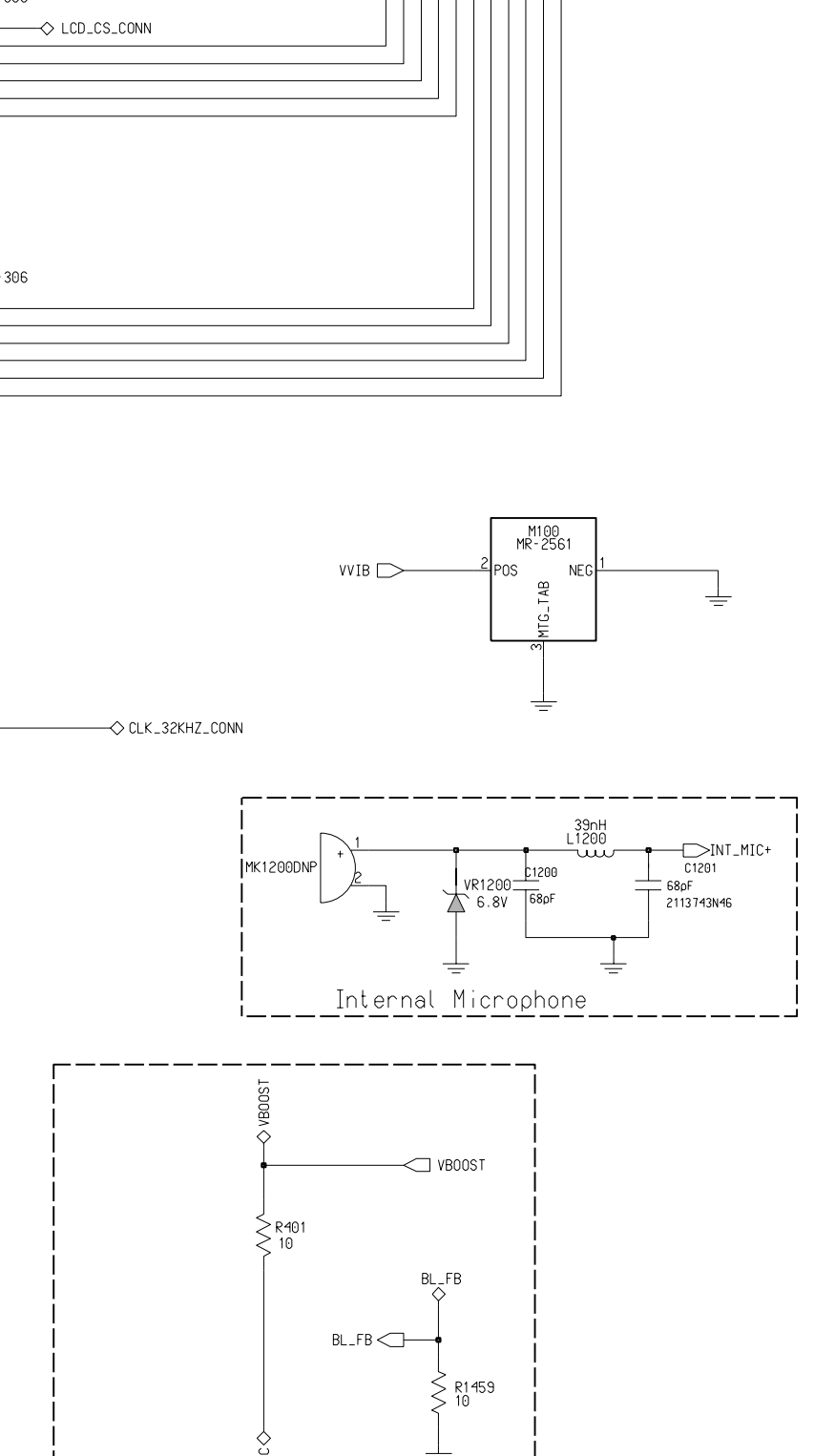
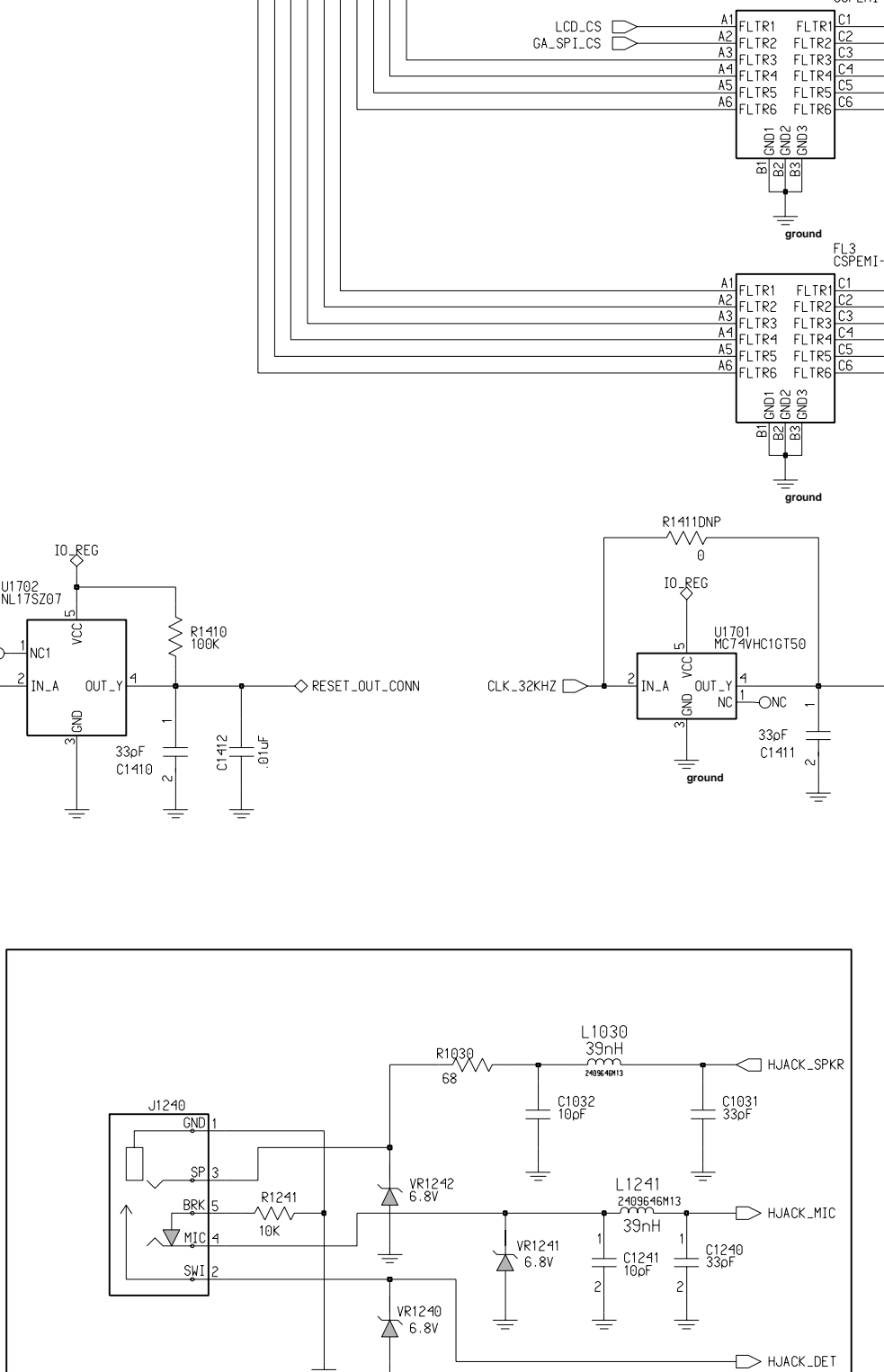
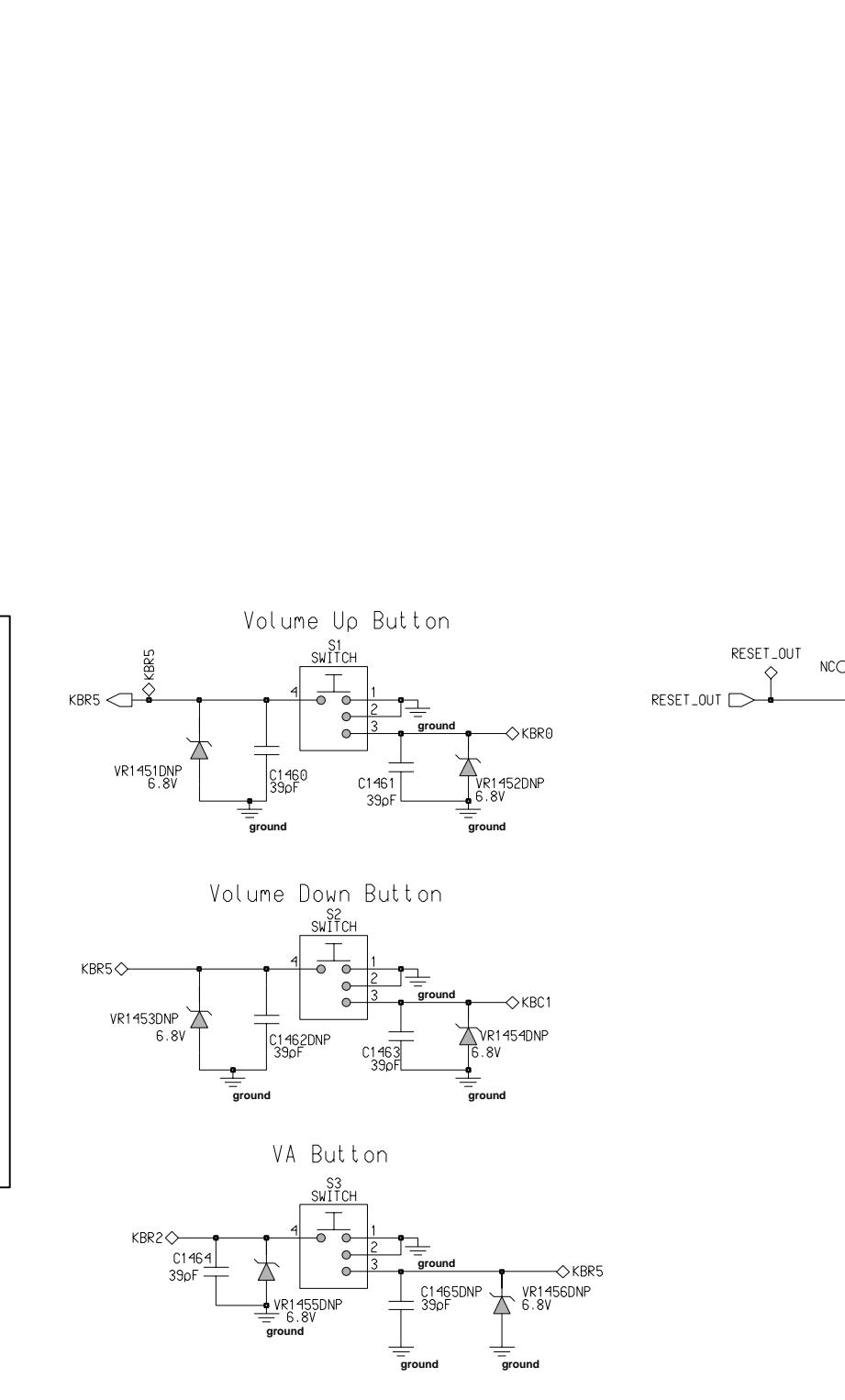
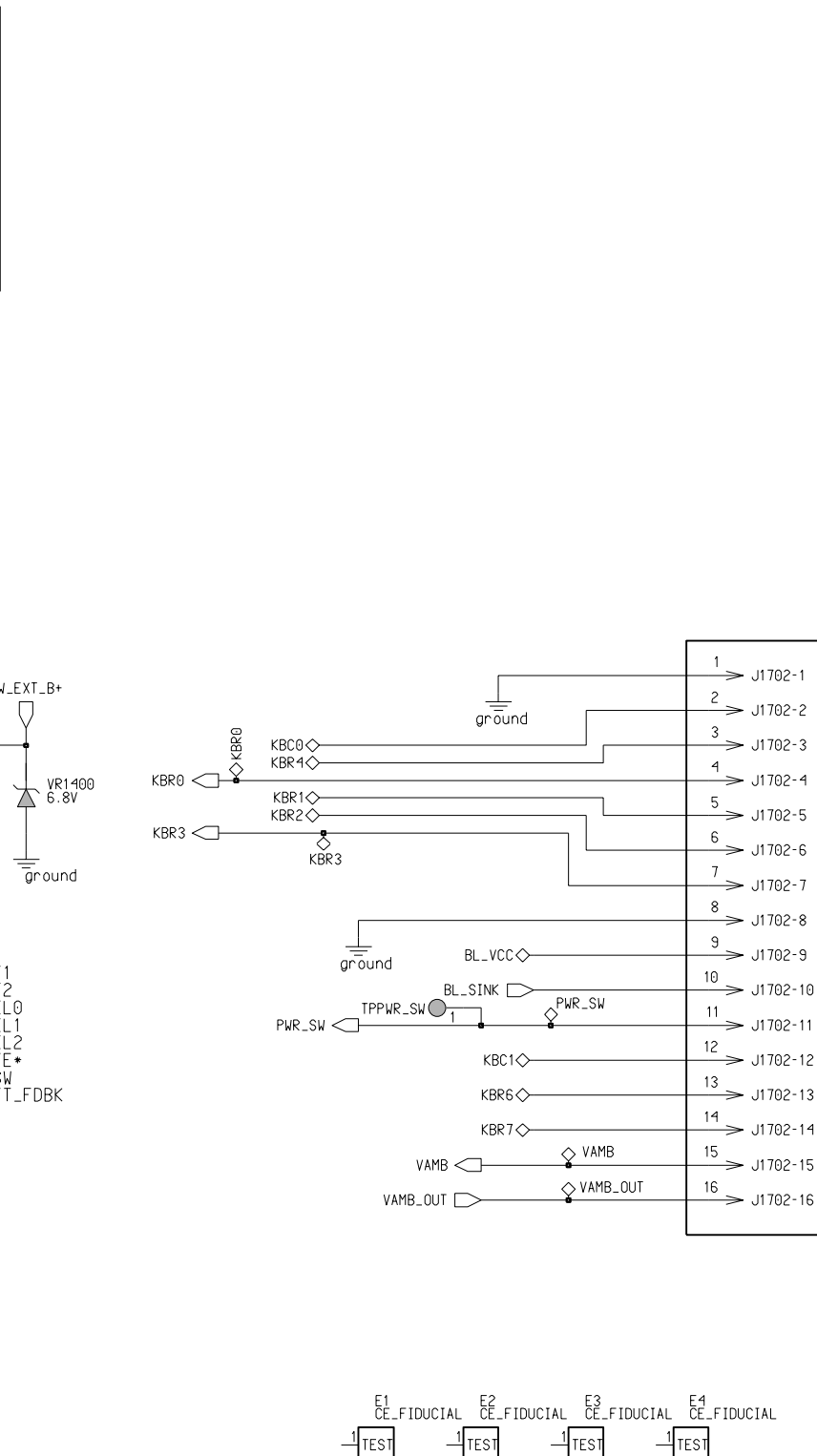
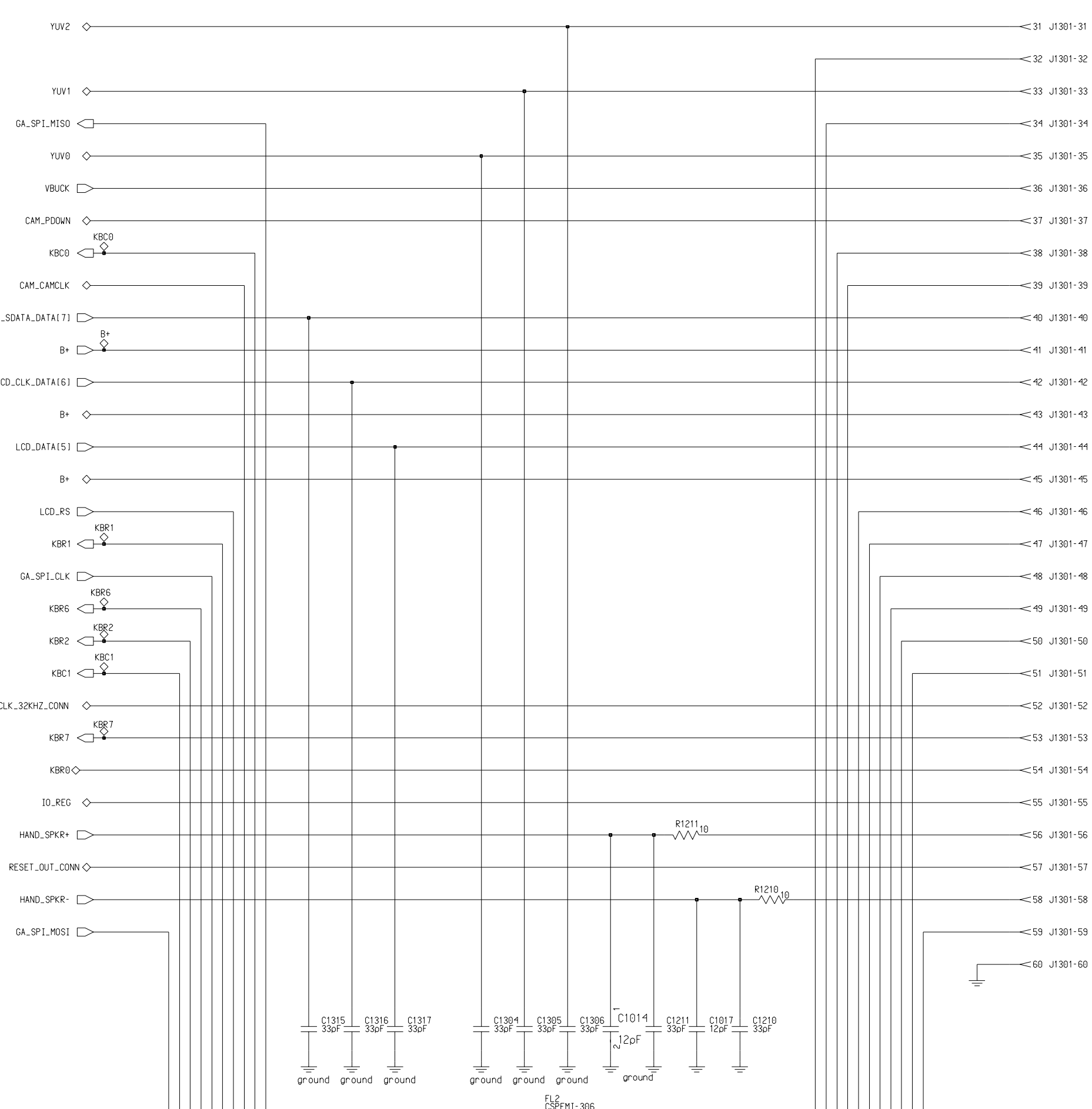
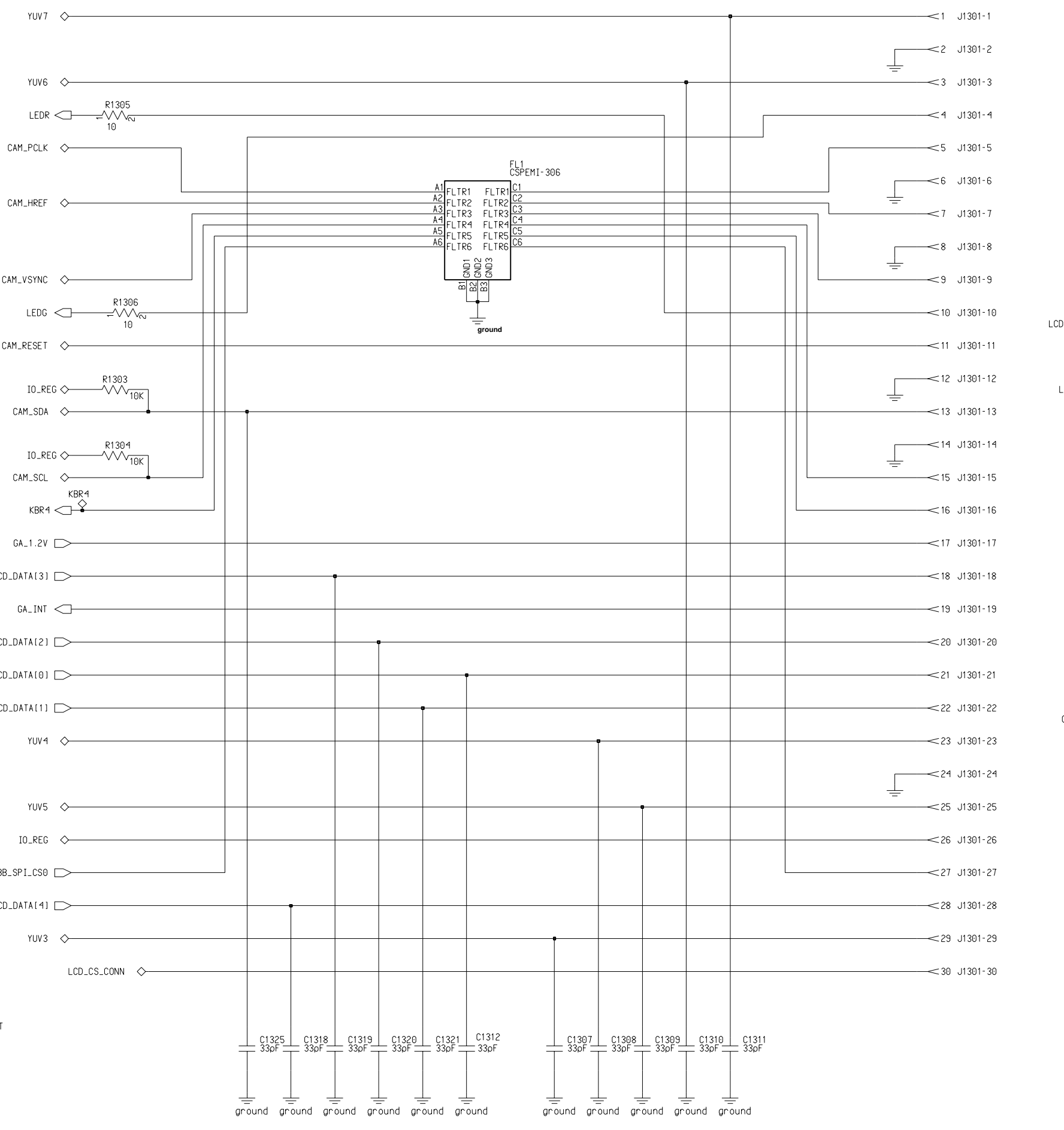


CAMERA CONN



B0 - Normally Closed  
B1 - Normally Open  
S - Select  
A - Common

Camera needs to be included.  
CLI needs to be included.



REV. 0	RELEASE FOR PRODUCTION	LEE CK
REV. A	Change M1700 to 3986829P01 Update J1250 w 3986828P01.	SEAH LC