

CALYPSO

HERCROM400G2

F751774GPH205

csp package

1.0mm*1.0mm*1.2mm

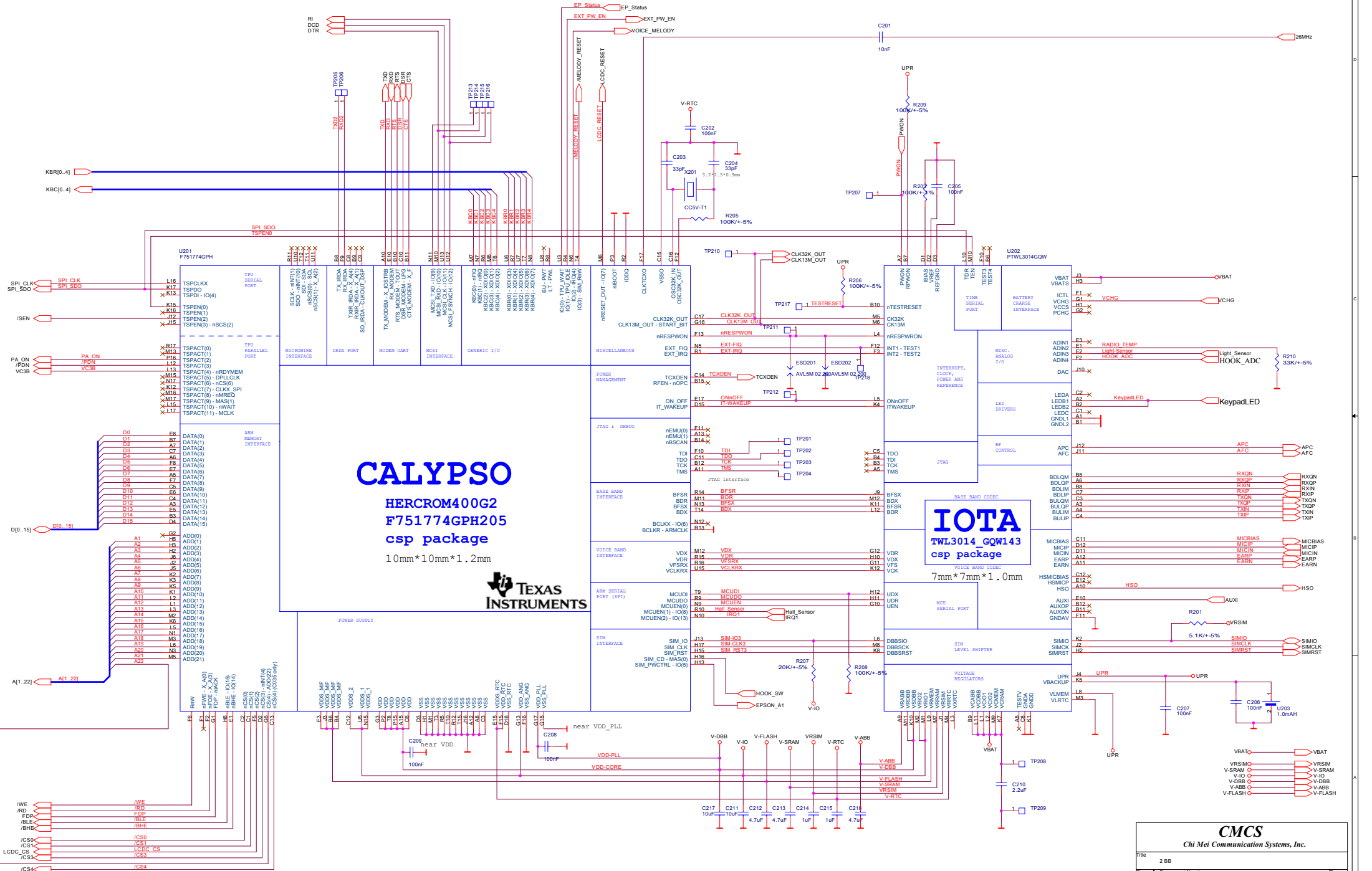


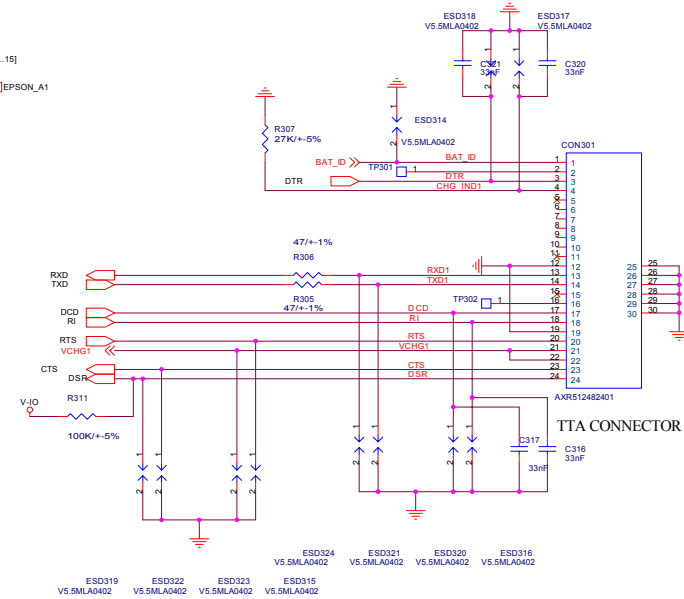
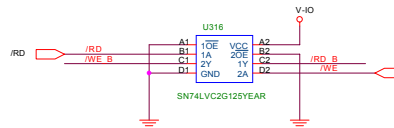
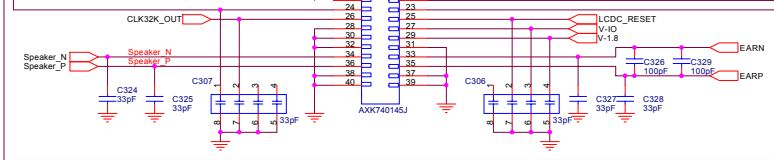
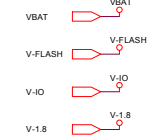
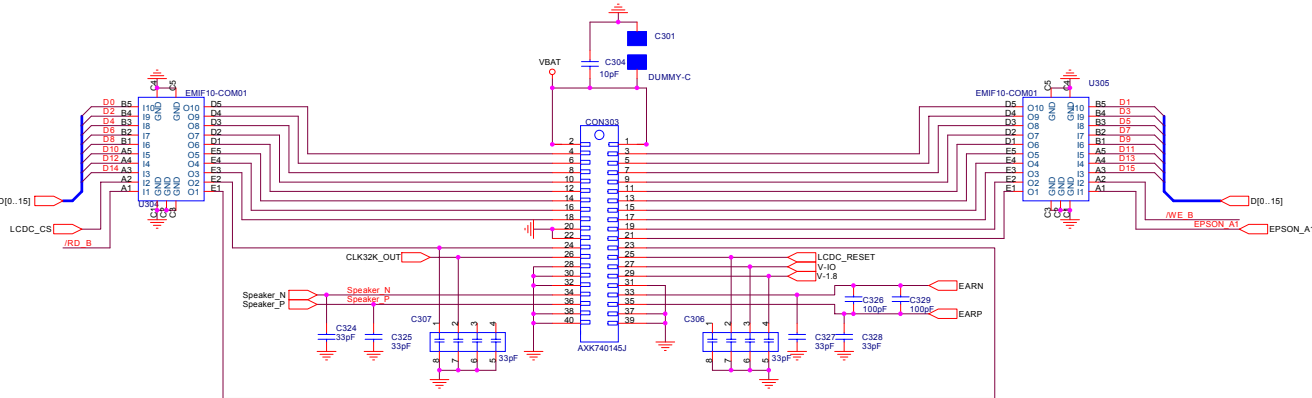
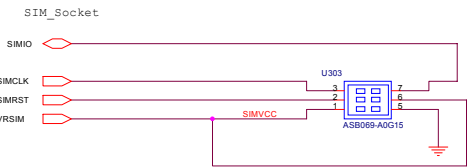
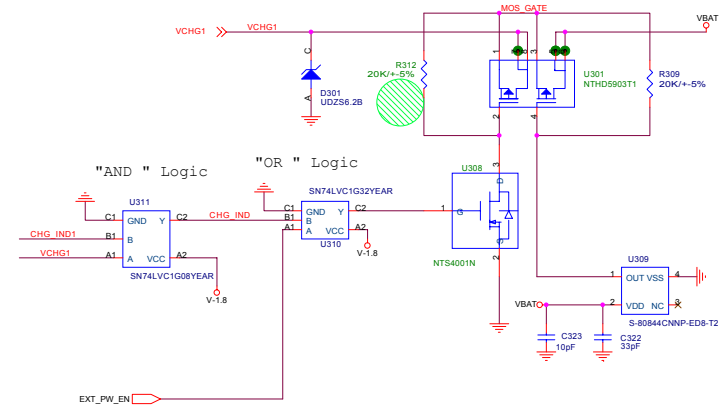
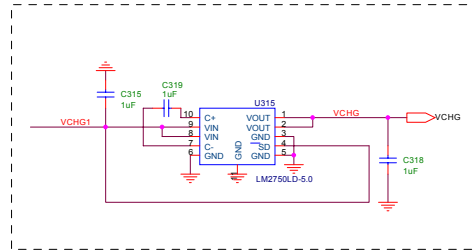
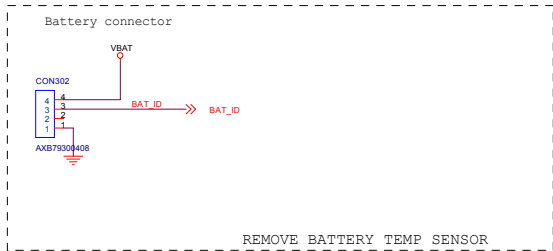
IOTA

TWL3014_GQW143

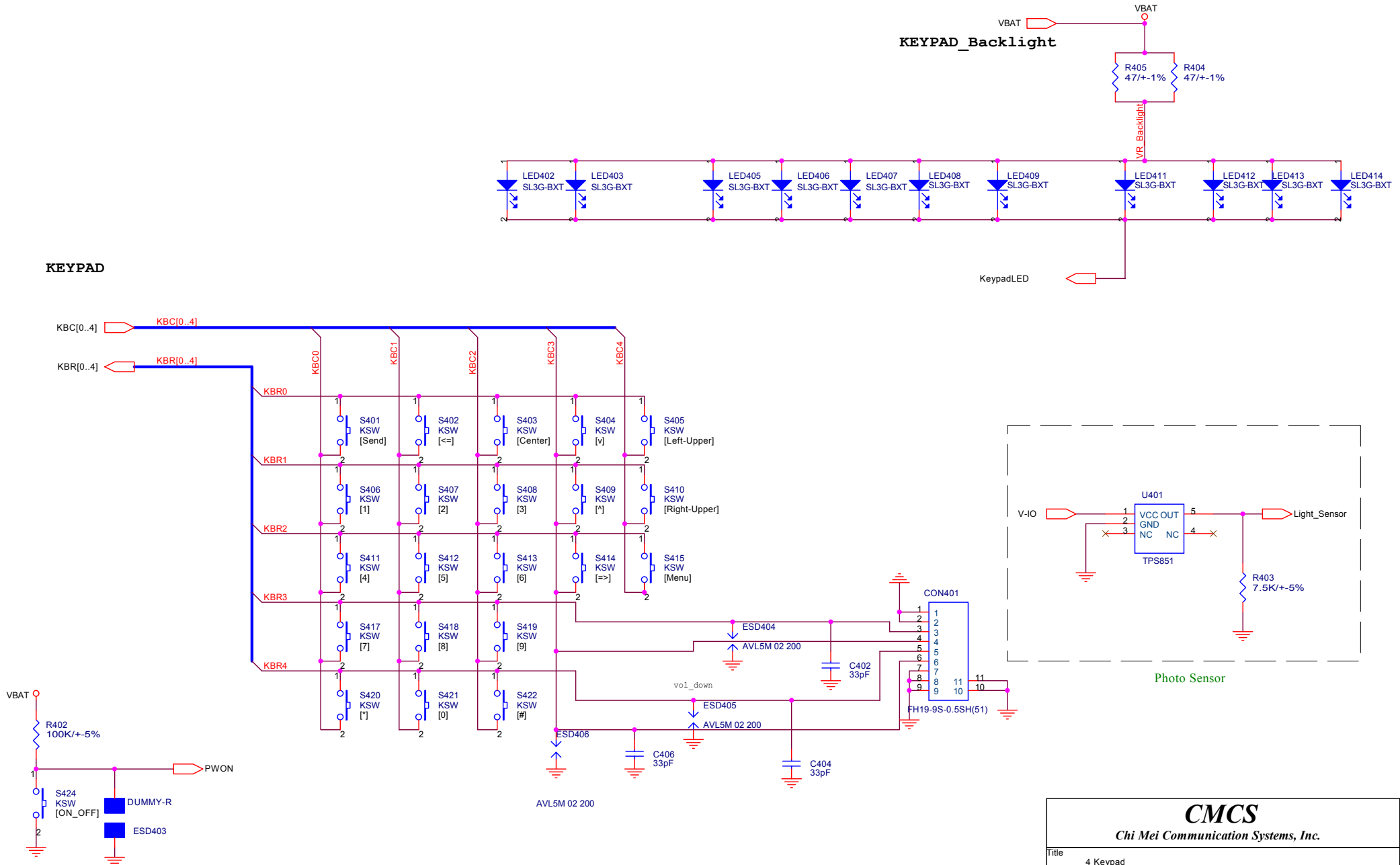
csp package

7mm*7mm*1.0mm



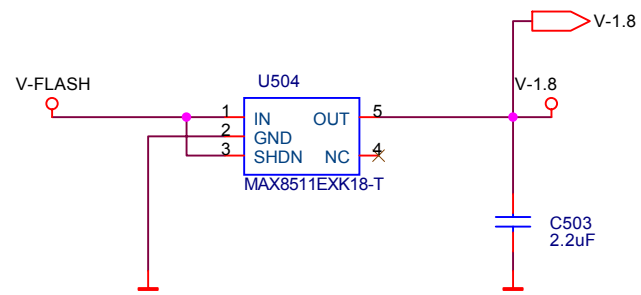
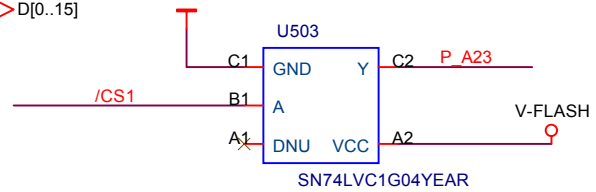
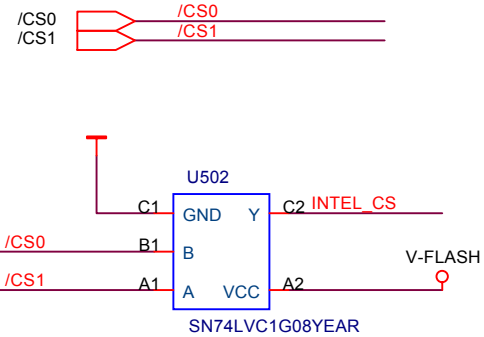
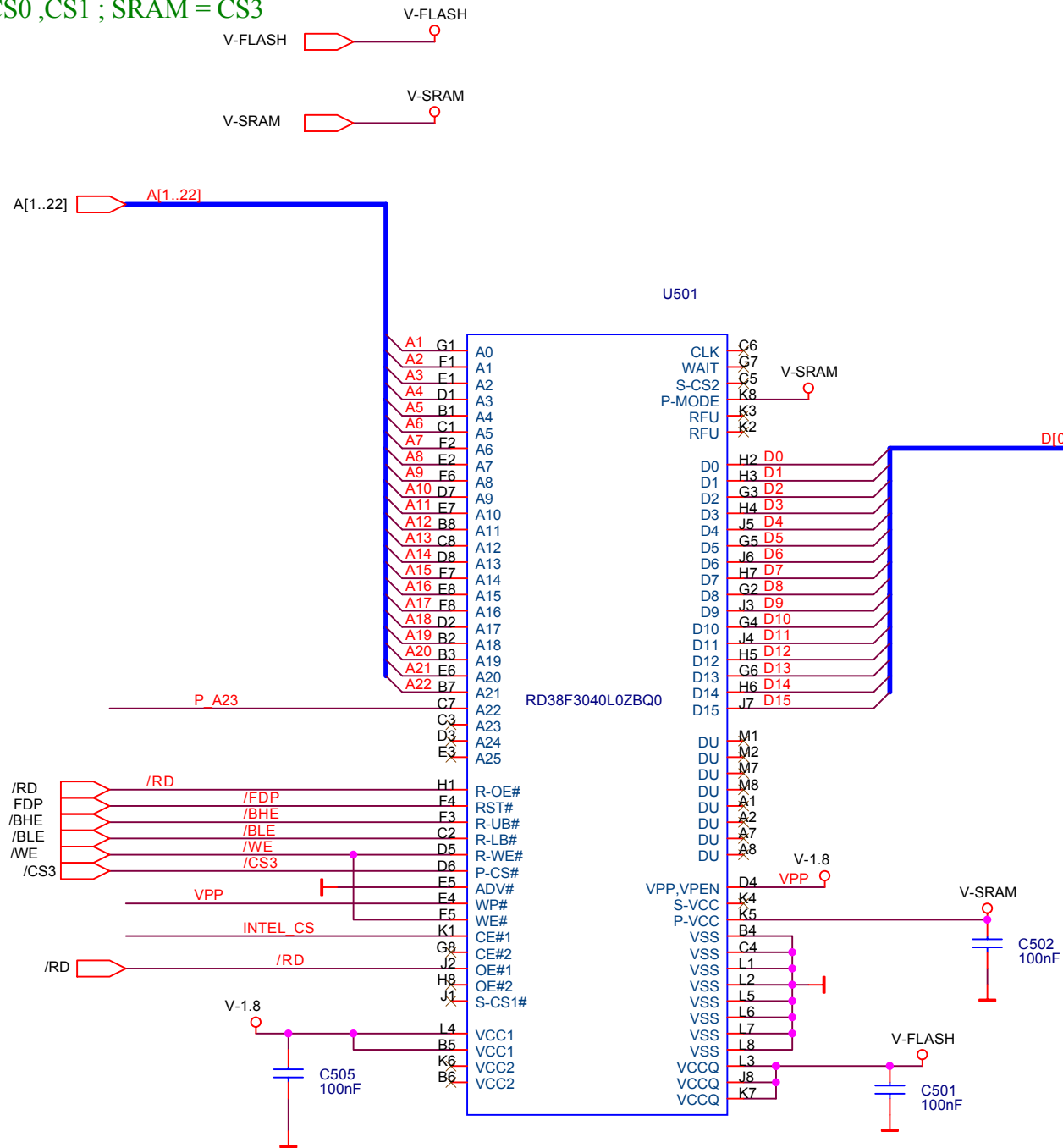


KEYPAD



CMCS Chi Mei Communication Systems, Inc.		
Title 4 Keypad		
Size B	Document Number <Doc>	Rev 1.0
Date: 2003年11月14, 2003	Sheet 4	of 6

Flash = CS0 ,CS1 ; SRAM = CS3



CMCS

Chi Mei Communication Systems, Inc.

Title		
5 Memory		
Size	Document Number	Rev
A4	<Doc>	1.0
Date:	星期五, 十一月 14, 2003	Sheet 5 of 6

