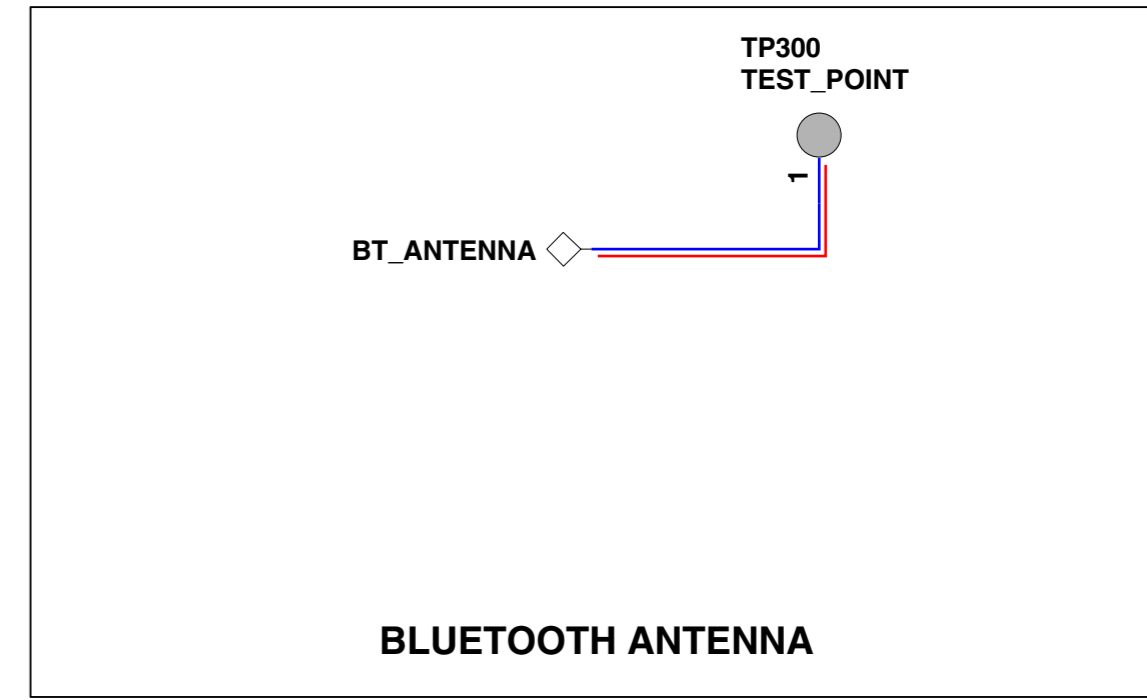
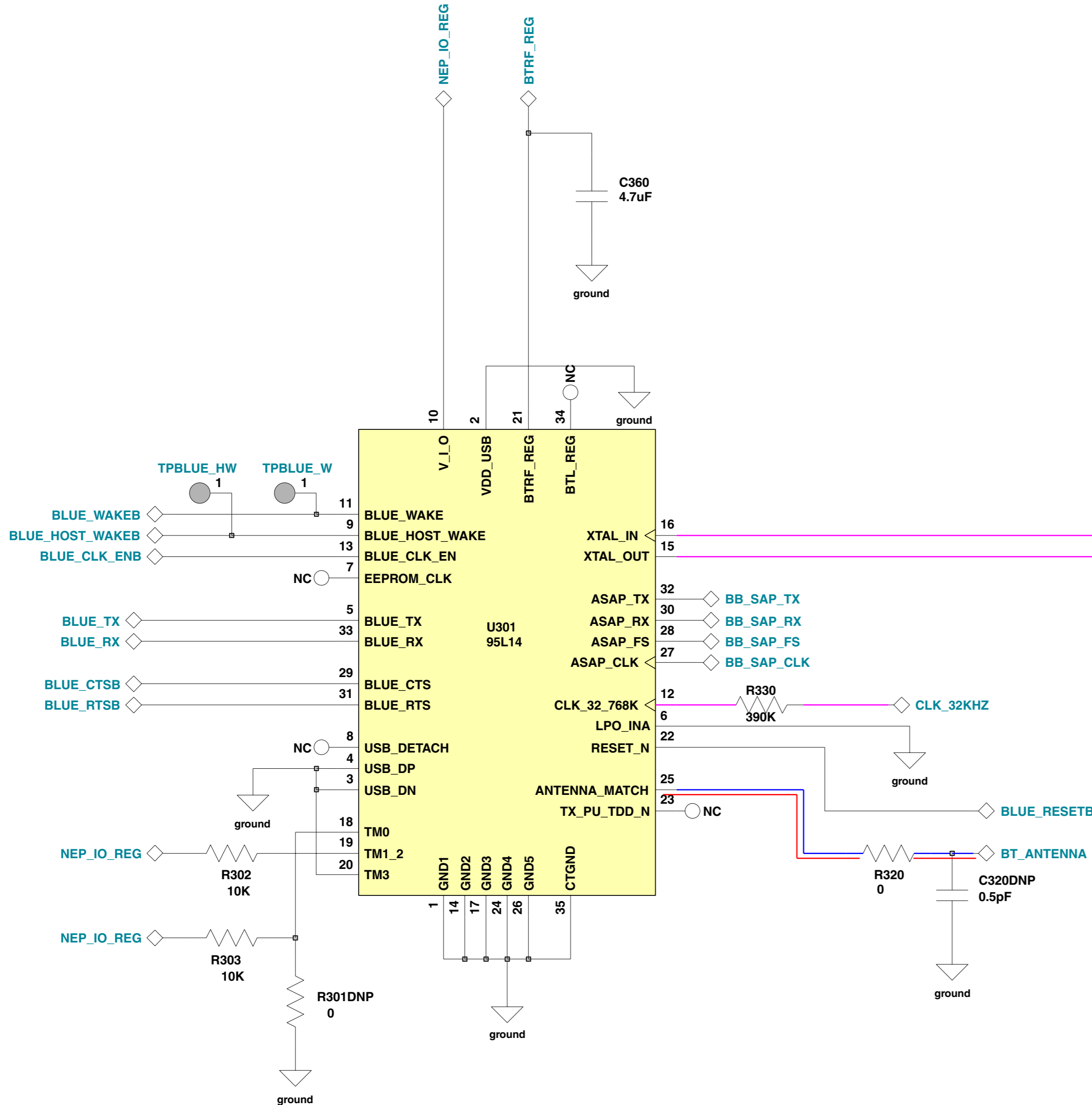


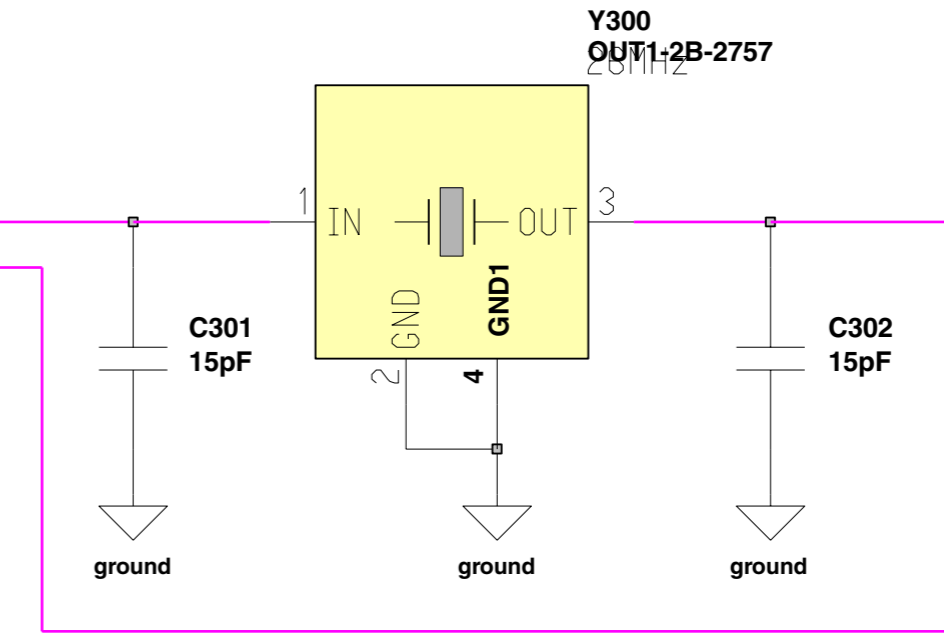
Service Engineering & Optimization
Level 3 Authorized

V300R, V500R, V600R 8488258N06_H1

Service Engineering & Optimization	2004.08.27
Level 3 Schematics	Rev. 1.0
V300R, V500R, V600R	8488258N06_H01
Alexander Bühler, Michael Mauderer	Page 1 of 6



BLUETOOTH ANTENNA

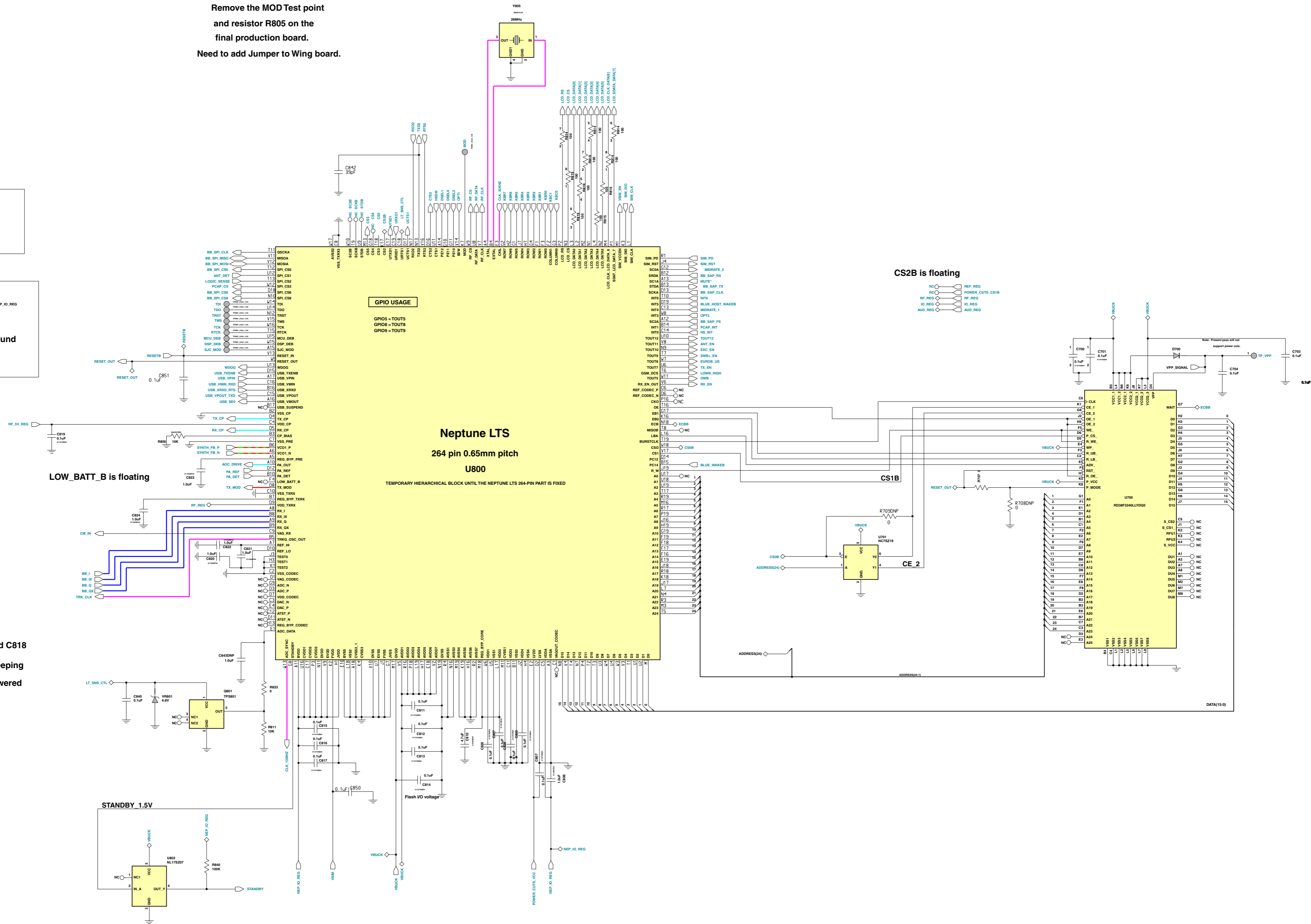
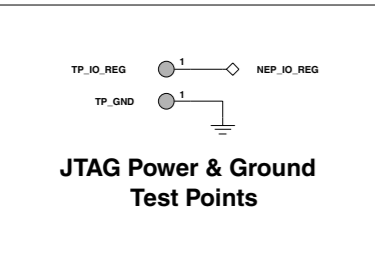
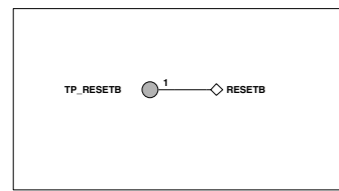


Supply Name	VDC
BTRF_REG	1.8
NEP_IO_REG	2.75

Service Engineering & Optimization
Level 3 Authorized

V300R, V500R, V600R 8488258N06_H1

Remove the MOD Test point
and resistor R805 on the
final production board.
Need to add Jumper to Wing board.



GPIO USAGE
GPIO5 = TOUT5
GPIO8 = TOUT8
GPIO9 = TOUT9

Neptune LTS
264 pin 0.65mm pitch
U800
TEMPORARY HIERARCHICAL BLOCK UNTIL THE NEPTUNE LTS 264-PIN PART IS FIXED

CS2B is floating

- NC
- REF_REG
- POWER CUTS, CS1B
- RF_REG
- RF_REG
- IO_REG
- IO_REG
- AUX_REG
- AUX_REG

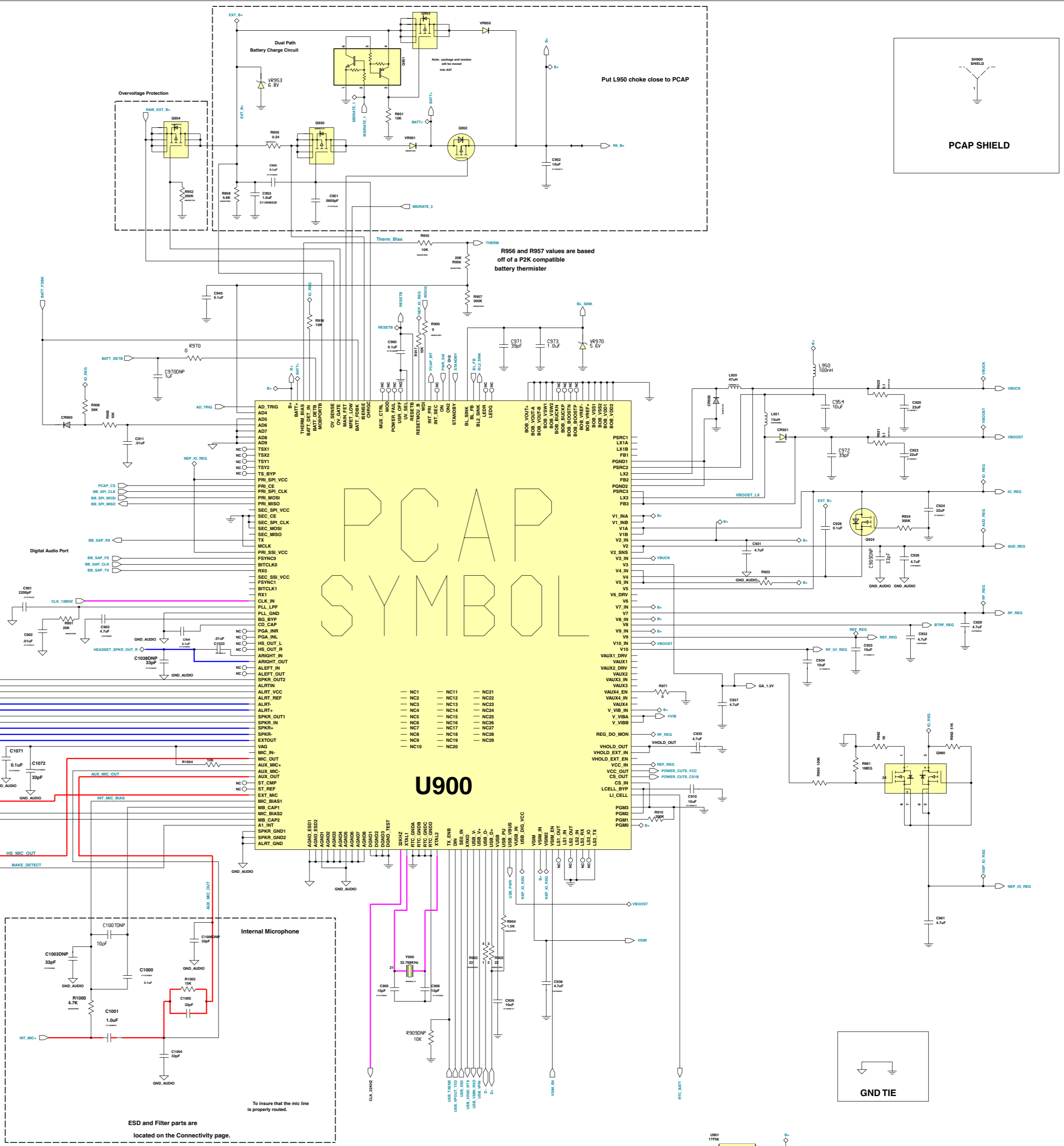
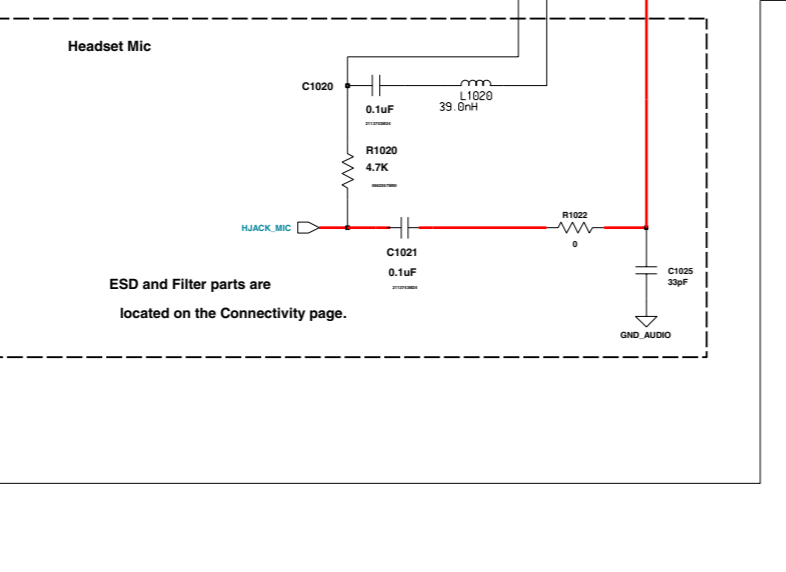
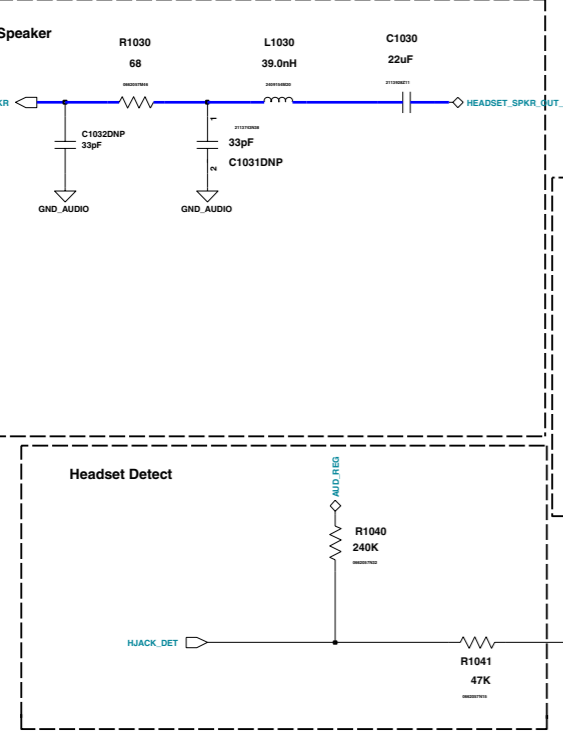
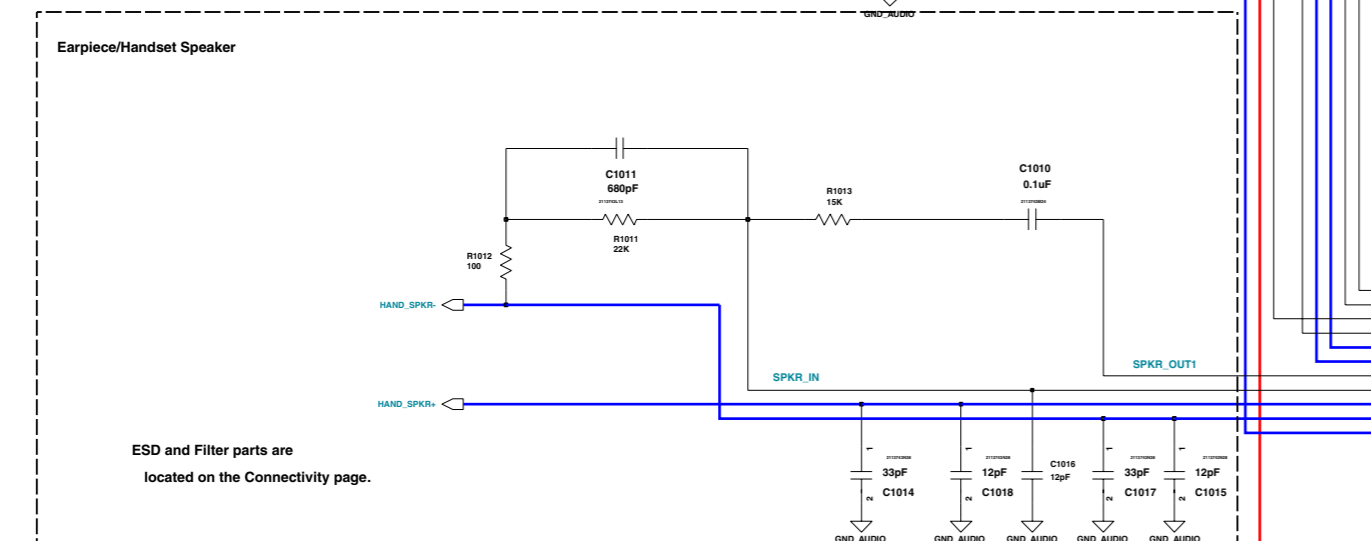
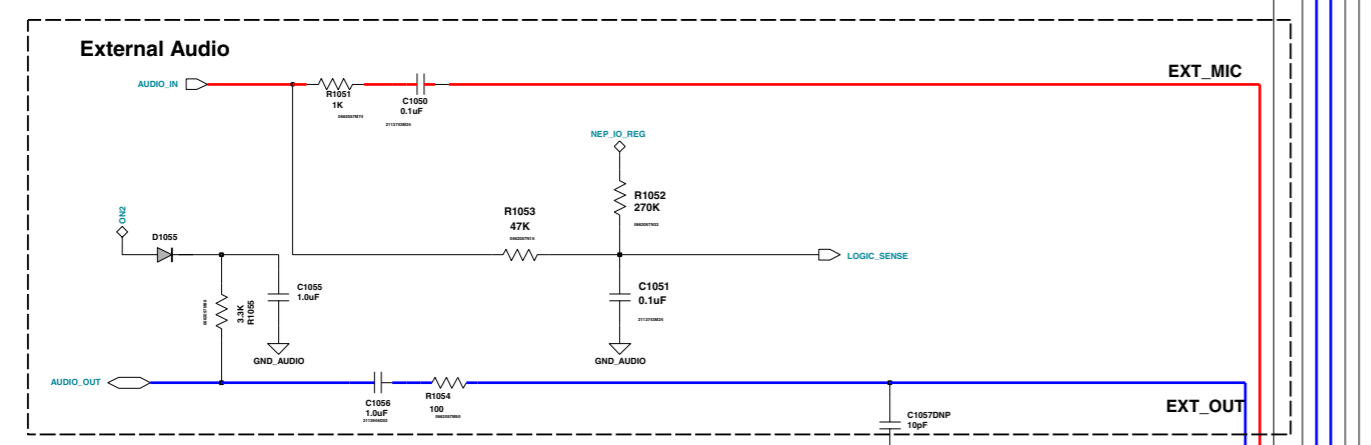
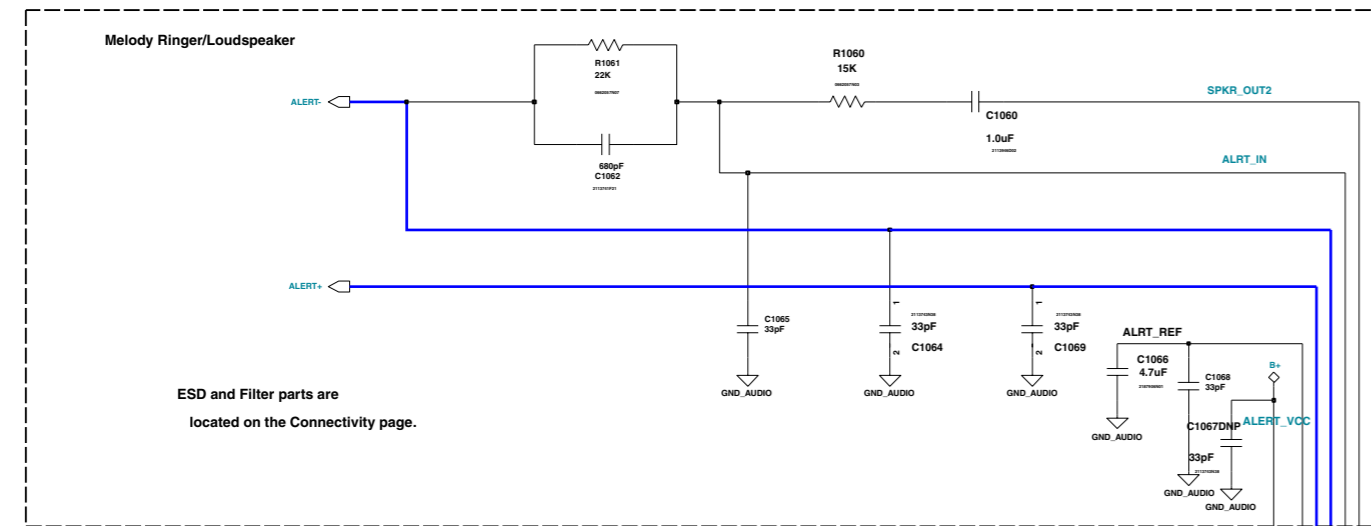
LOW_BATT_B is floating

Only place R810, R811 and C818
if there is an issue in keeping
the CODEC and ADC unpowered
Route JVDD carefully



V300R, V500R, V600R 8488258N06_H1

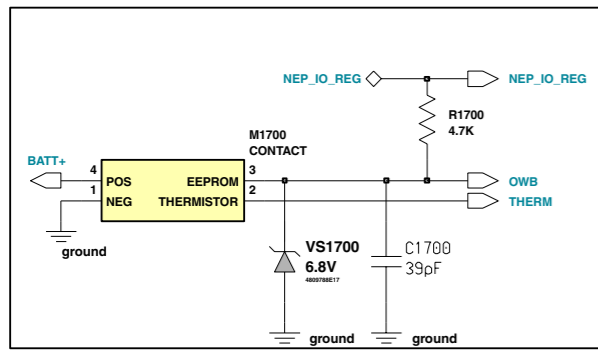
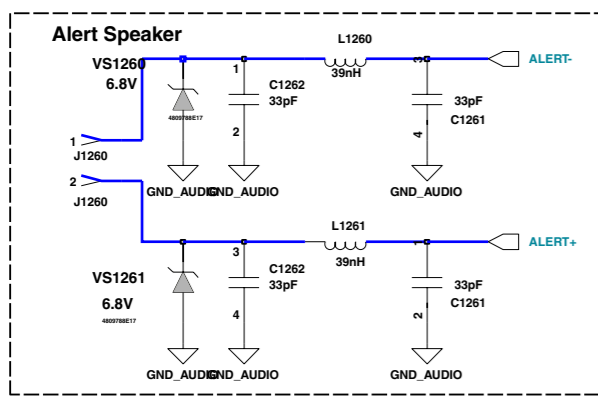
Service Engineering & Optimization	2004.08.27
Level 3 Schematics	Rev. L0
V300R, V500R, V600R	8488258N06_H01
Alexander Bühler, Michael Mauderer	Page 3 of 6



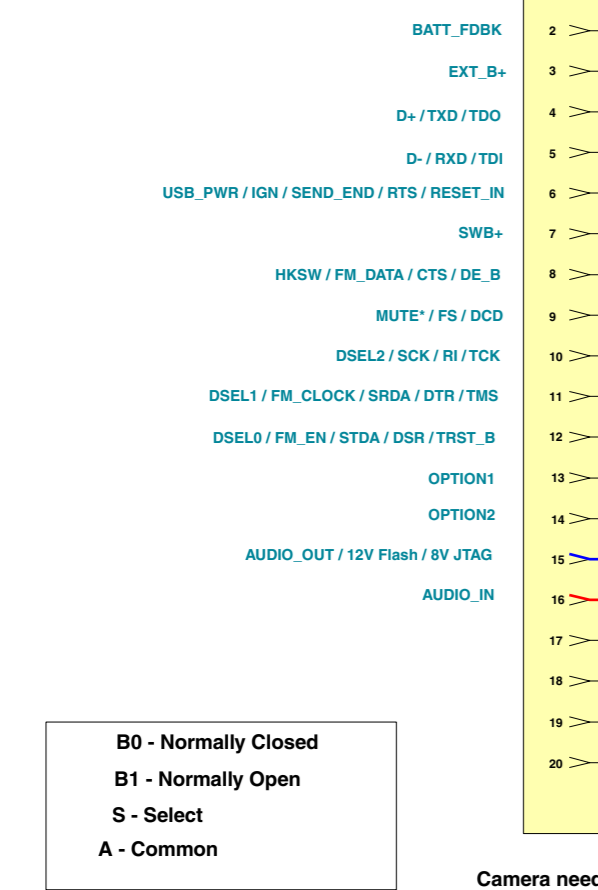
Service Engineering & Optimization
Level 3 Authorized

V300R, V500R, V600R 8488258N06_H1

Service Engineering & Optimization	2004.08.27
Level 3 Schematics	Rev. 1.0
V300R, V500R, V600R	8488258N06_H01
Alexander Bühler, Michael Mauderer	Page 4 of 6

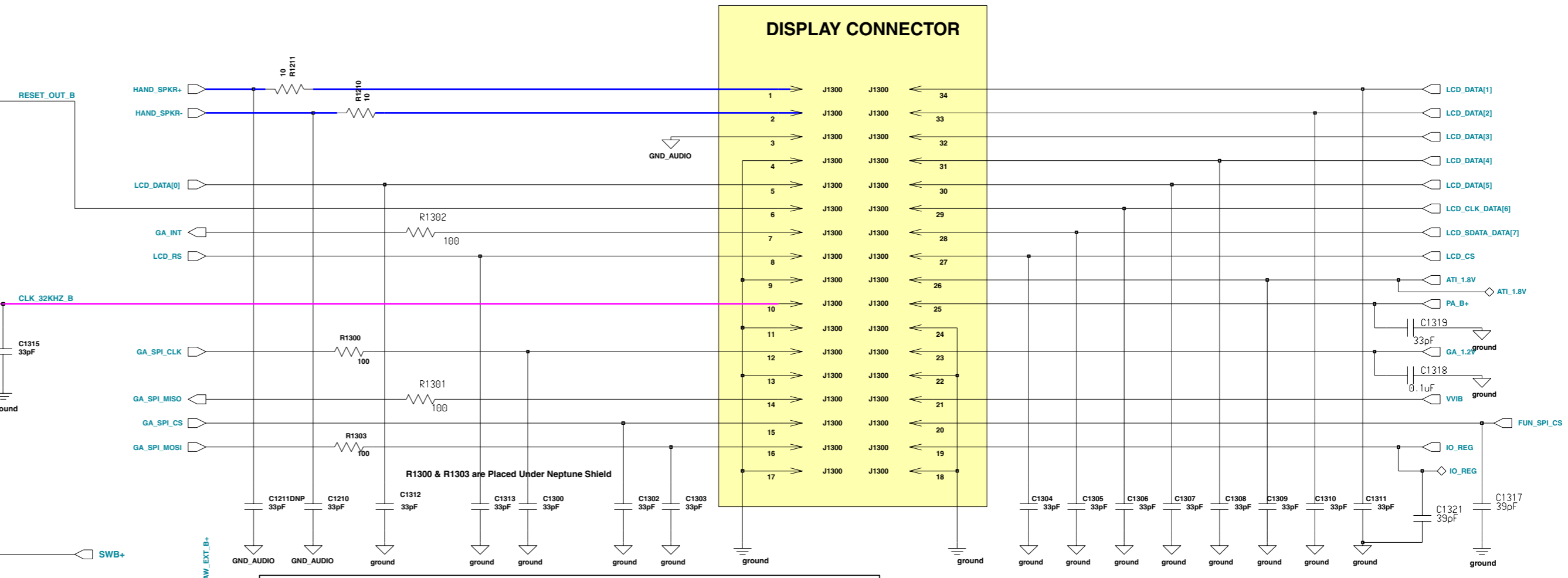
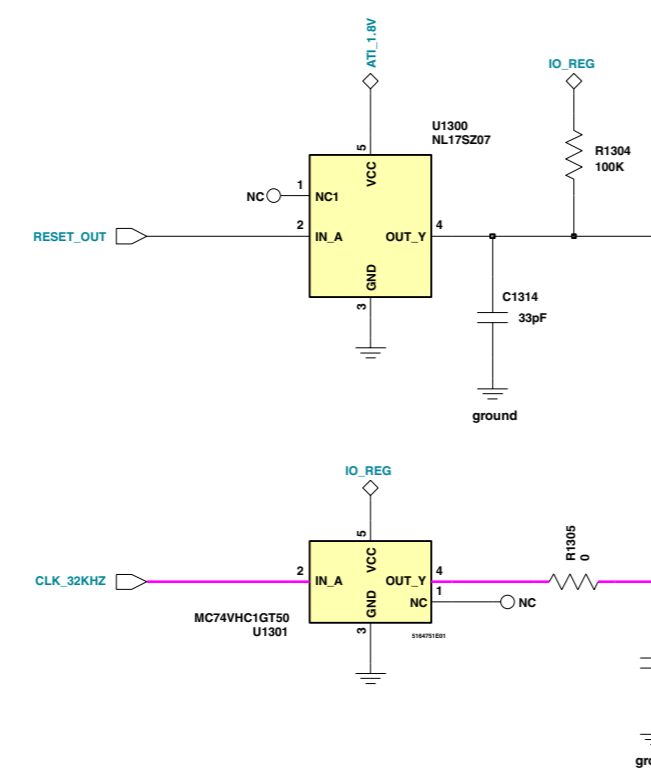


**Accessory Connector
CE Connector (098763K06)**

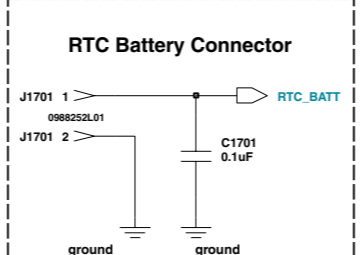
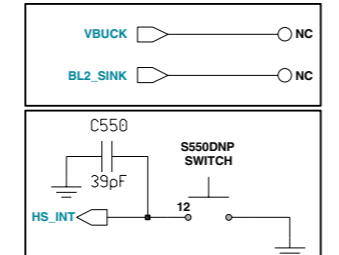
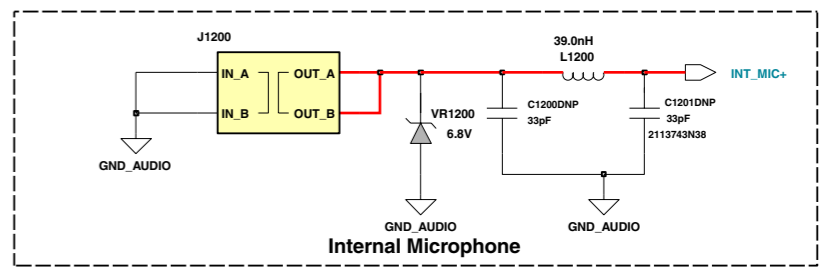
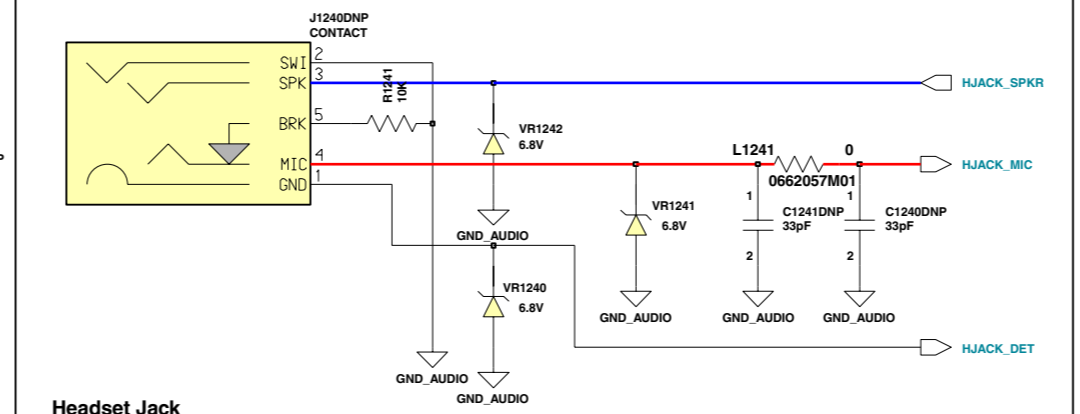


B0 - Normally Closed
B1 - Normally Open
S - Select
A - Common

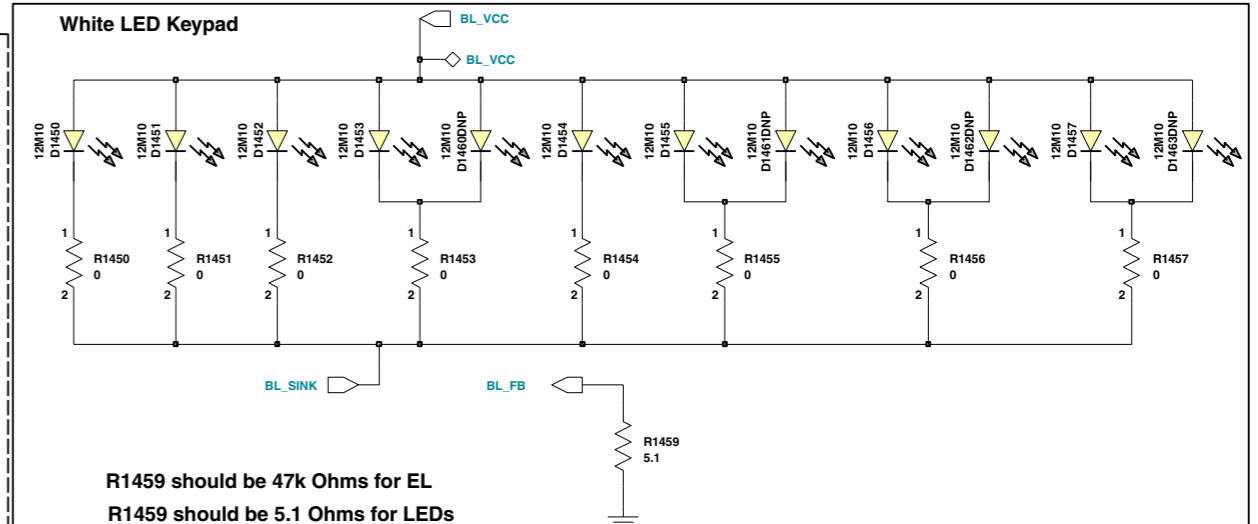
Camera needs to be included.
CLI needs to be included.



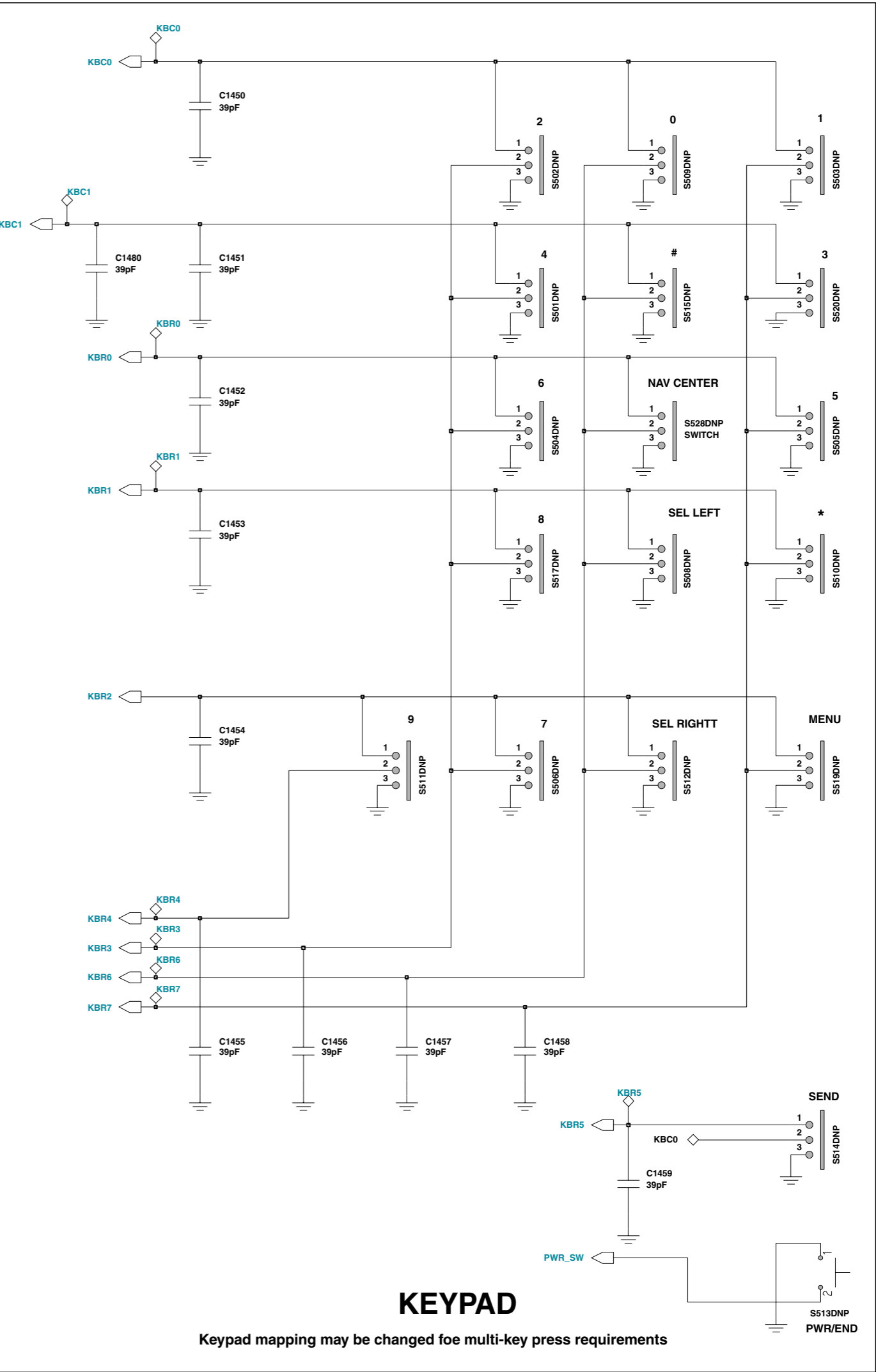
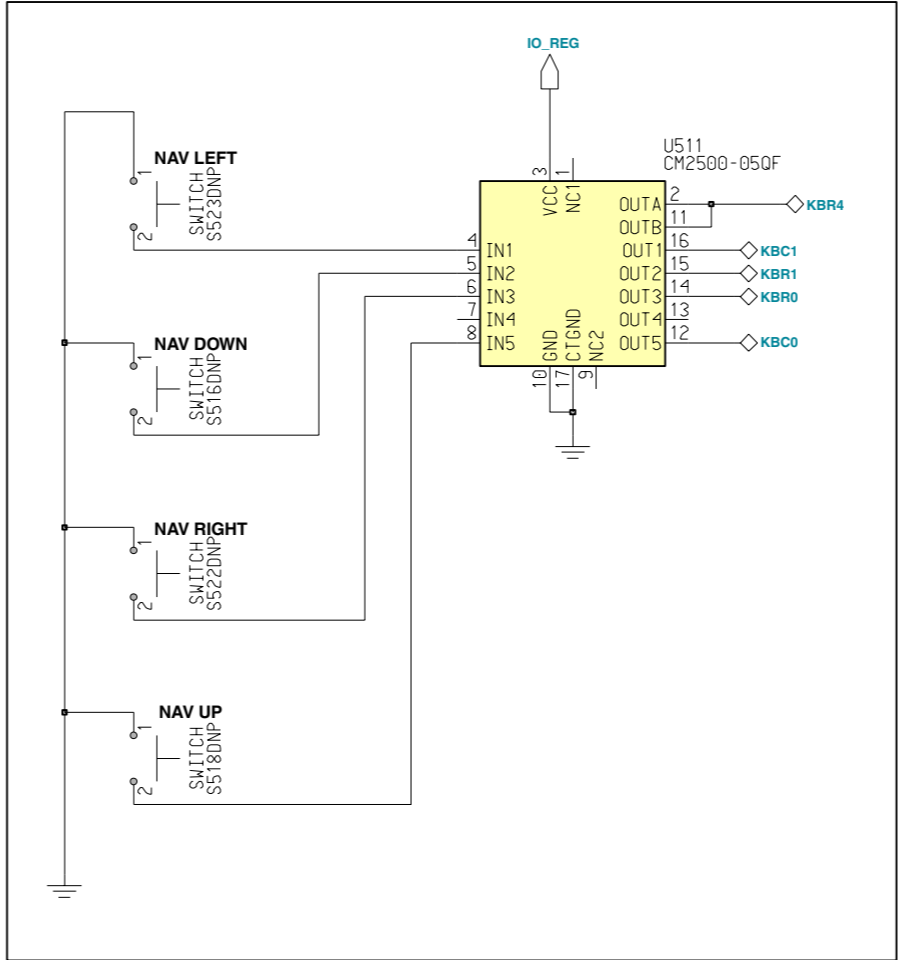
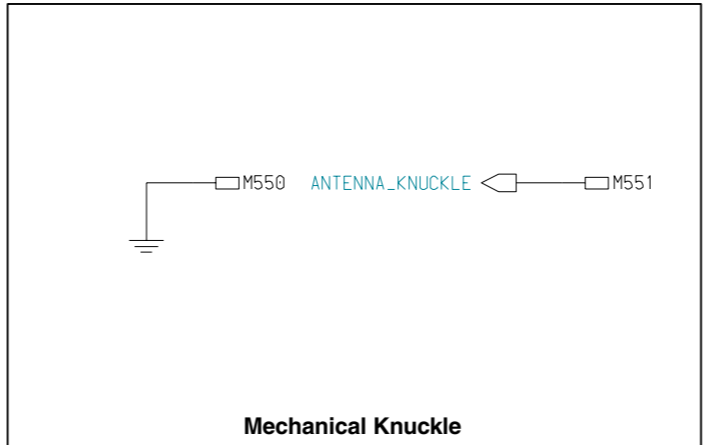
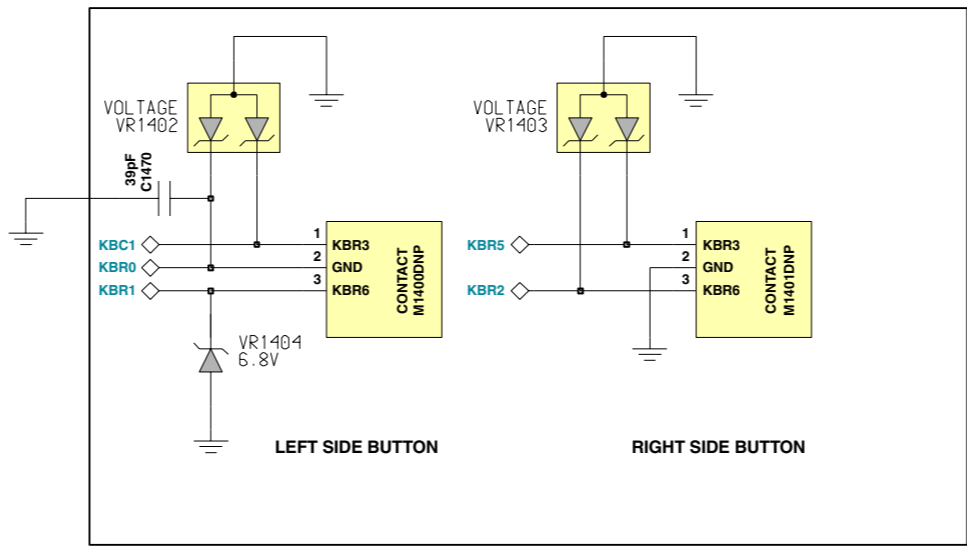
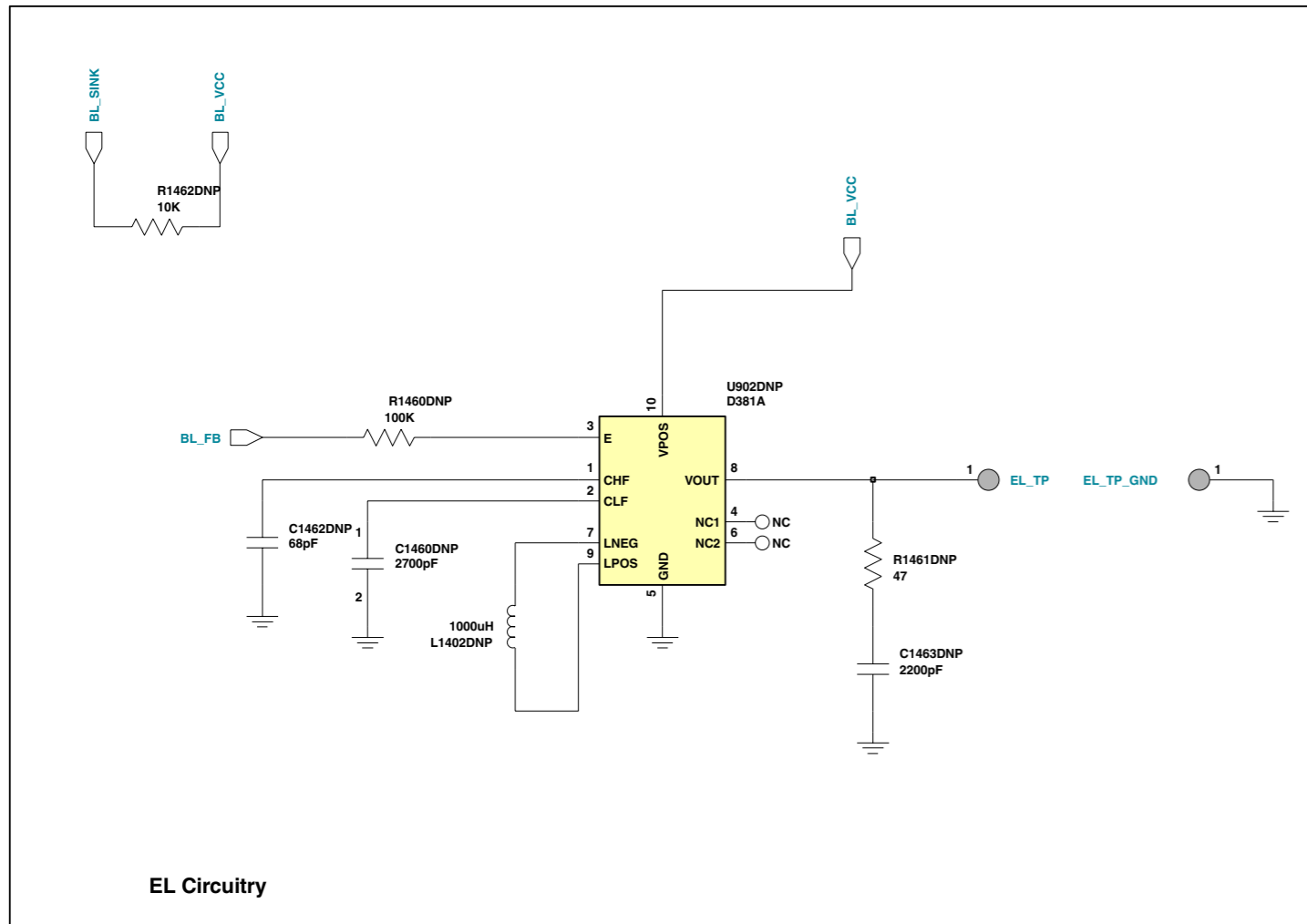
R1300 & R1303 are Placed Under Neptune Shield



SIM



R1459 should be 47k Ohms for EL
R1459 should be 5.1 Ohms for LEDs



Keypad mapping may be changed for multi-key press requirements