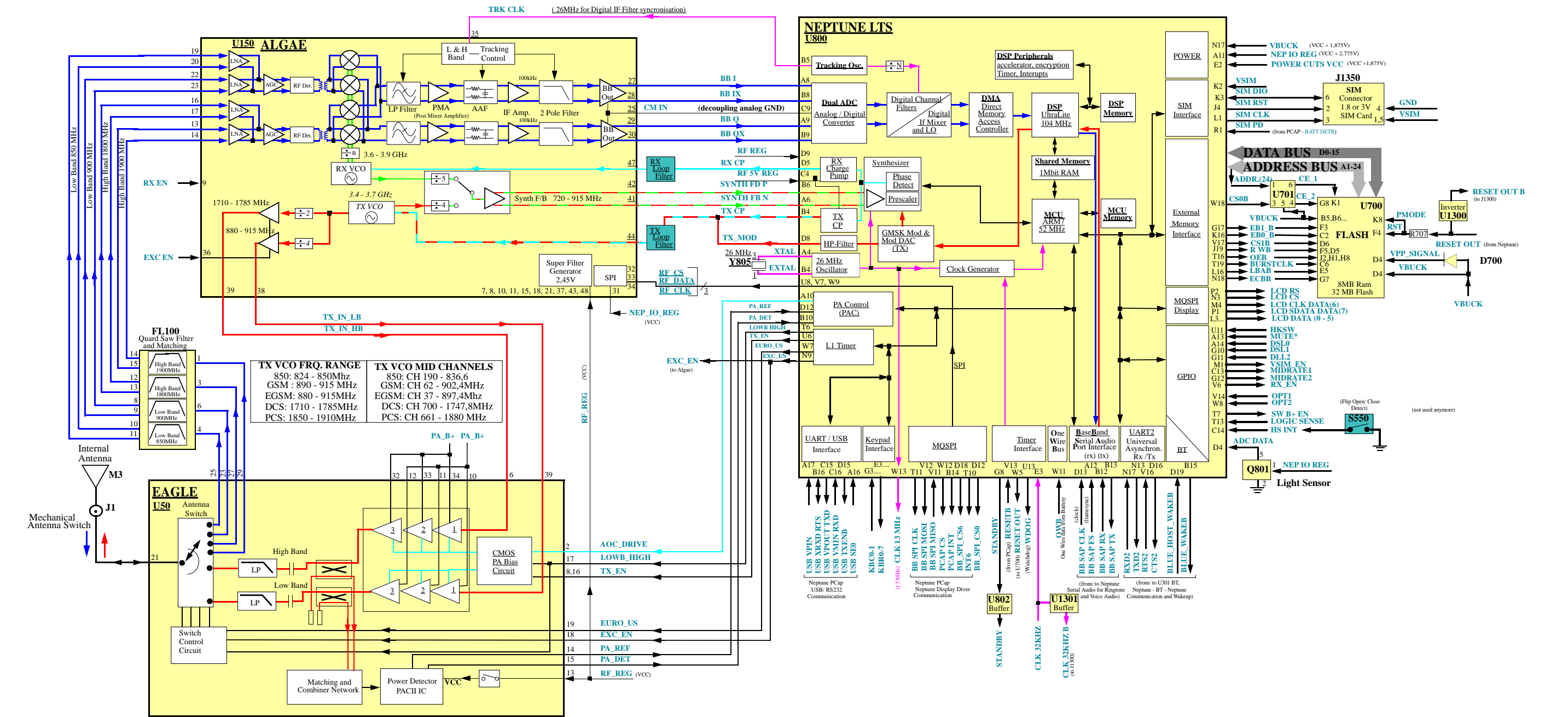


RX MID CHANNELS
 850: CH 190 - 881,6
 GSM: CH 62 - 947,4 MHz
 EGSM: CH 37 - 942,4MHz
 DCS: CH 700 - 1842,8MHz
 PCS: CH 661 - 1960MHz



TX VCO FRQ. RANGE
 850: 824 - 850MHz
 GSM: 890 - 915 MHz
 EGSM: 880 - 915MHz
 DCS: 1710 - 1785MHz
 PCS: 1850 - 1910MHz

TX VCO MID CHANNELS
 850: CH 190 - 836,6
 GSM: CH 62 - 902,4MHz
 EGSM: CH 37 - 897,4MHz
 DCS: CH 700 - 1747,8MHz
 PCS: CH 661 - 1880 MHz

Triplets Refresh

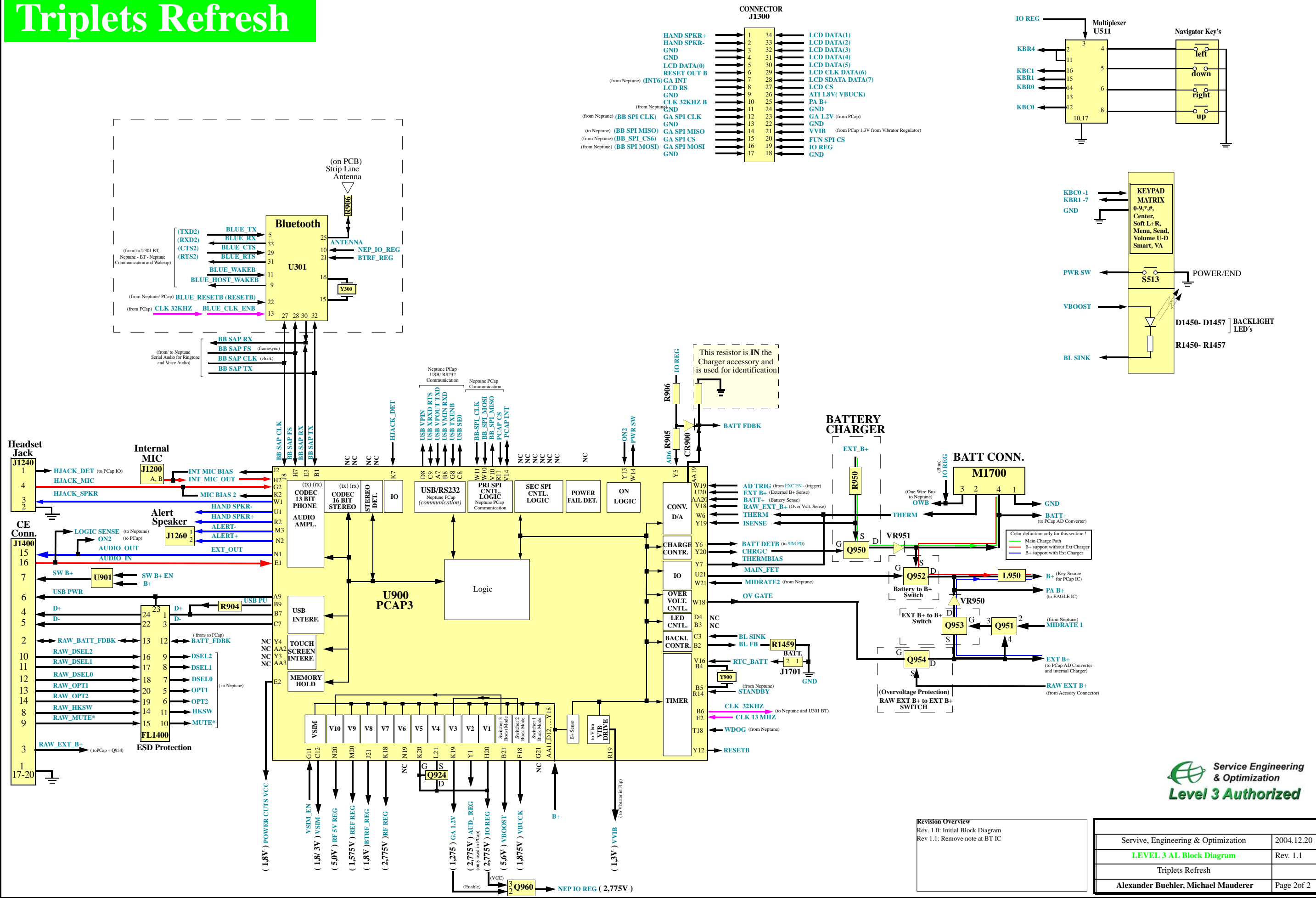
Service Engineering & Optimization
Level 3 Authorized

Revision Overview

Rev. 1.0: Initial Block Diagram
Rev 1.1: Remove note at BT IC

Service, Engineering & Optimization	2004.12.20
LEVEL 3 AL Block Diagram	Rev. 1.1
Triplets Refresh	
Alexander Buehler, Michael Mauderer	Page 1 of 2

Triplets Refresh



Service Engineering & Optimization
Level 3 Authorized

Revision Overview

Rev. 1.0: Initial Block Diagram
Rev 1.1: Remove note at BT IC

Servive, Engineering & Optimization	2004.12.20
LEVEL 3 AL Block Diagram	Rev. 1.1
Triplets Refresh	
Alexander Buehler, Michael Mauderer	Page 2 of 2