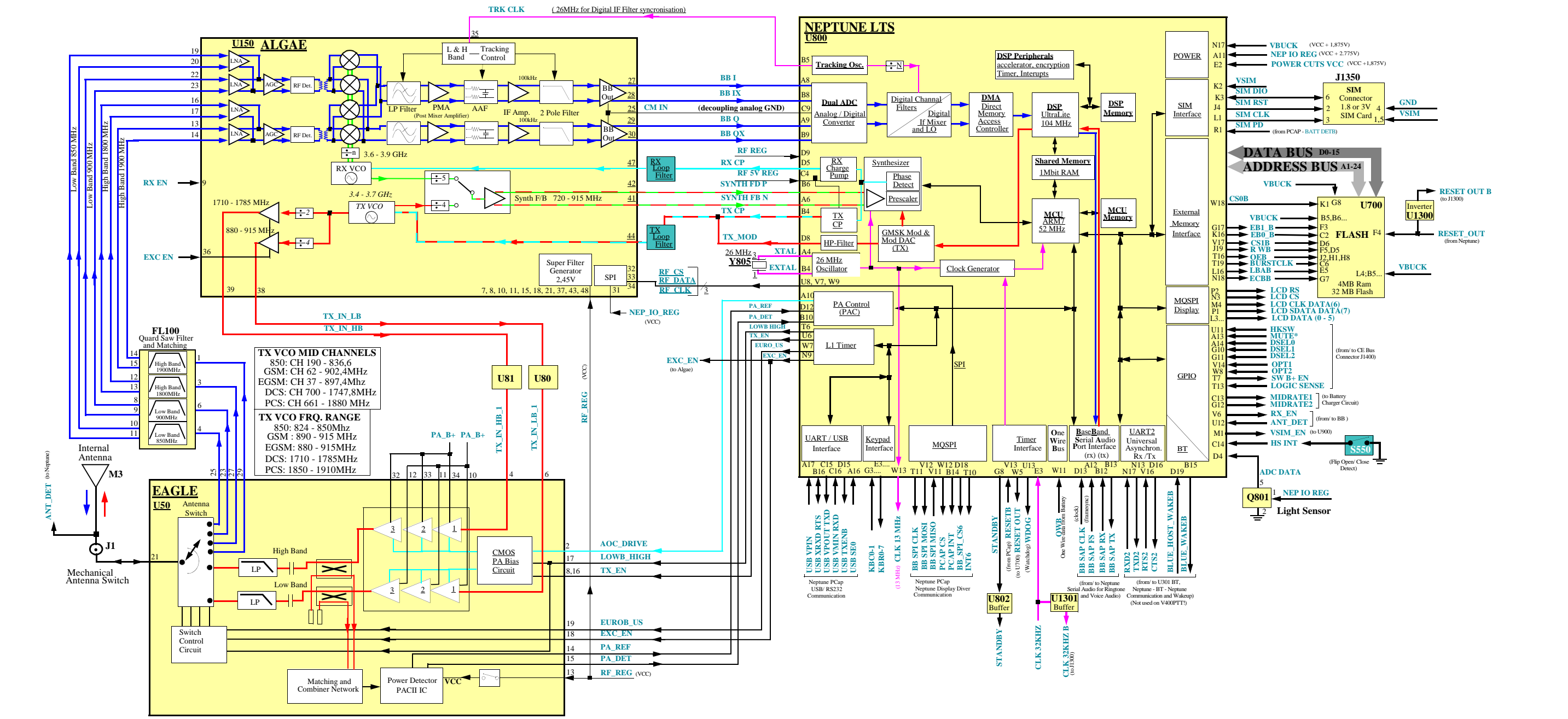


RX MID CHANNELS
 850: CH 190 - 881.6
 GSM: CH 62 - 947.4 MHz
 EGSM: CH 37 - 942.4MHz
 DCS: CH 700 - 1842.8MHz
 PCS: CH 661 - 1960MHz



TX VCO MID CHANNELS
 850: CH 190 - 836.6
 GSM: CH 62 - 902.4MHz
 EGSM: CH 37 - 897.4MHz
 DCS: CH 700 - 1747.8MHz
 PCS: CH 661 - 1880 MHz

TX VCO FRQ. RANGE
 850: 824 - 850MHz
 GSM: 890 - 915 MHz
 EGSM: 880 - 915MHz
 DCS: 1710 - 1785MHz
 PCS: 1850 - 1910MHz

Revision Overview
 Rev. 1.0: Initial Block Diagram
 Rev. 1.1: at Neptune: Removed BB_SPI_CS0, added a note to the BT at PCap: renmved PCAP_MCU_RESET*

V400PTT

GSM SERVICE SUPPORT GROUP	2004.05.12
LEVEL 3 AL Block Diagram	Rev. 1.1
V400PTT	
Michael Hansen, Alexander Buehler	Page 1 of 2

V400PPT

