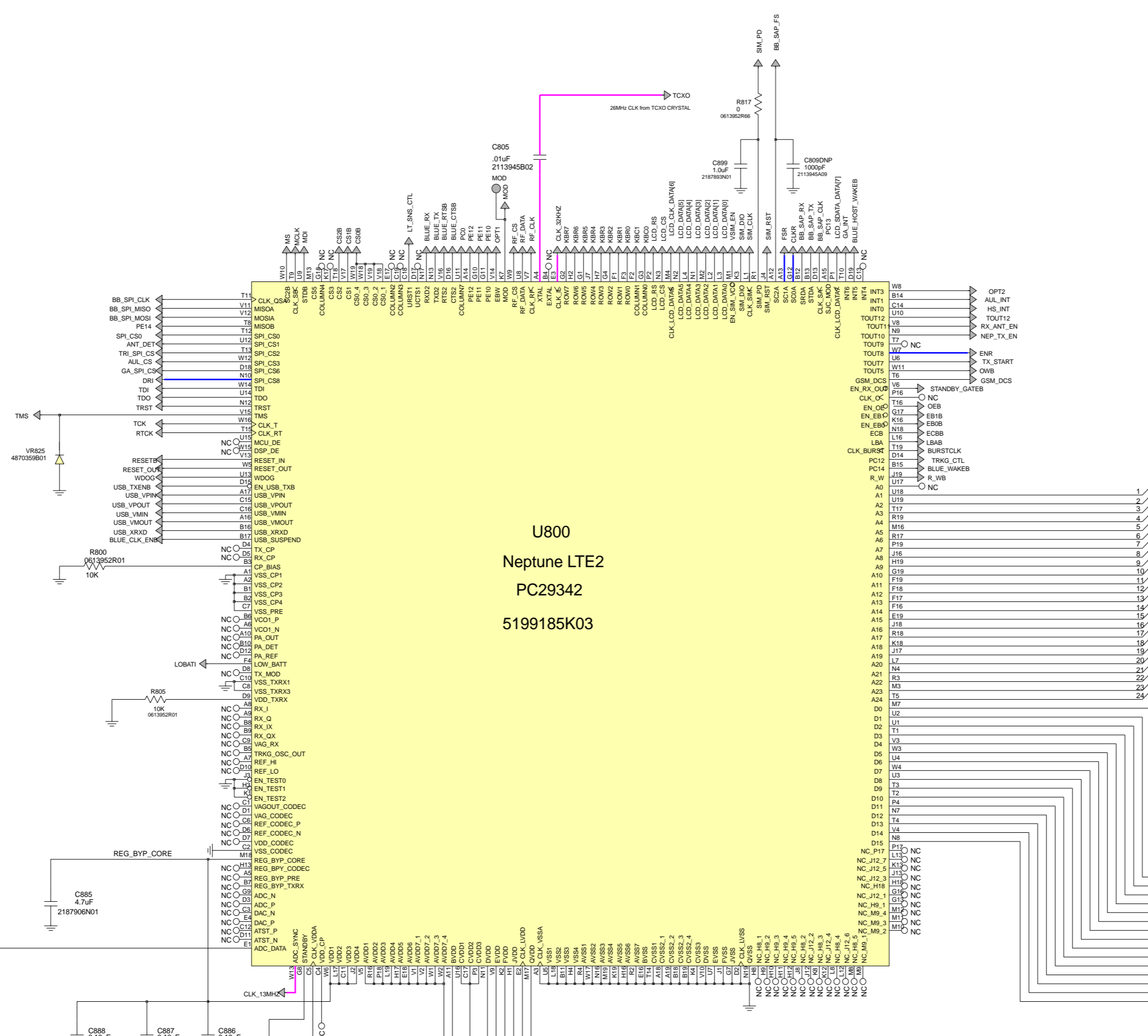
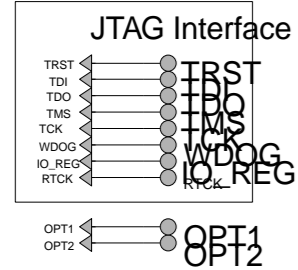
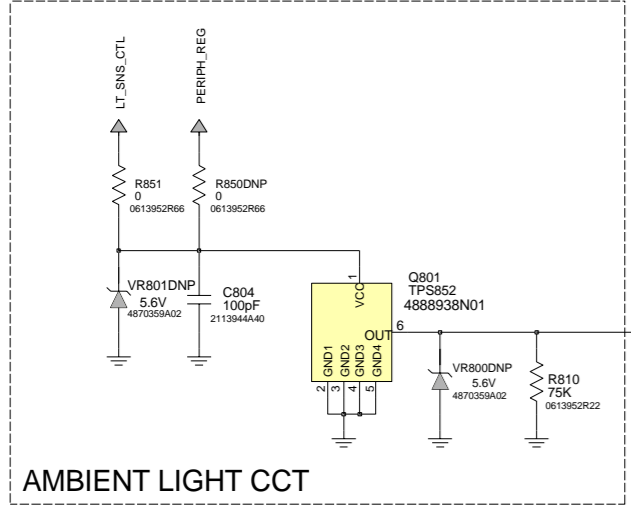


V36x_ 8471030A02

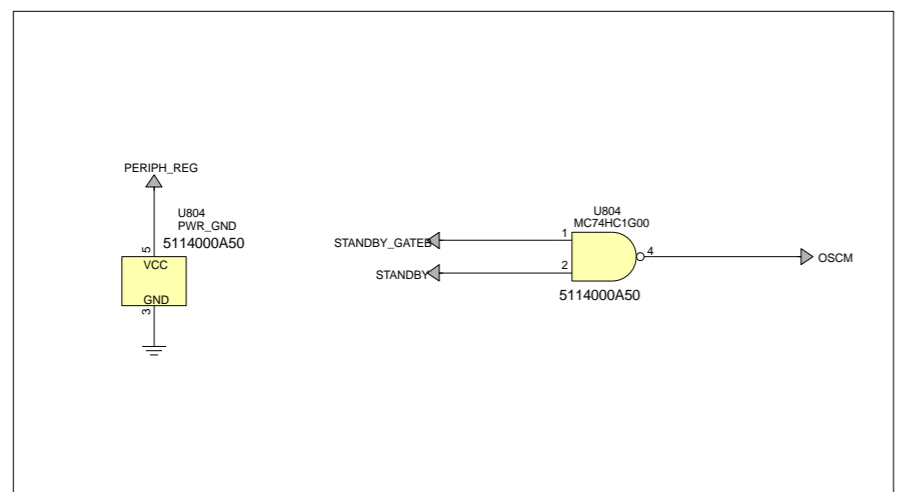
JTAG TEST POINTS



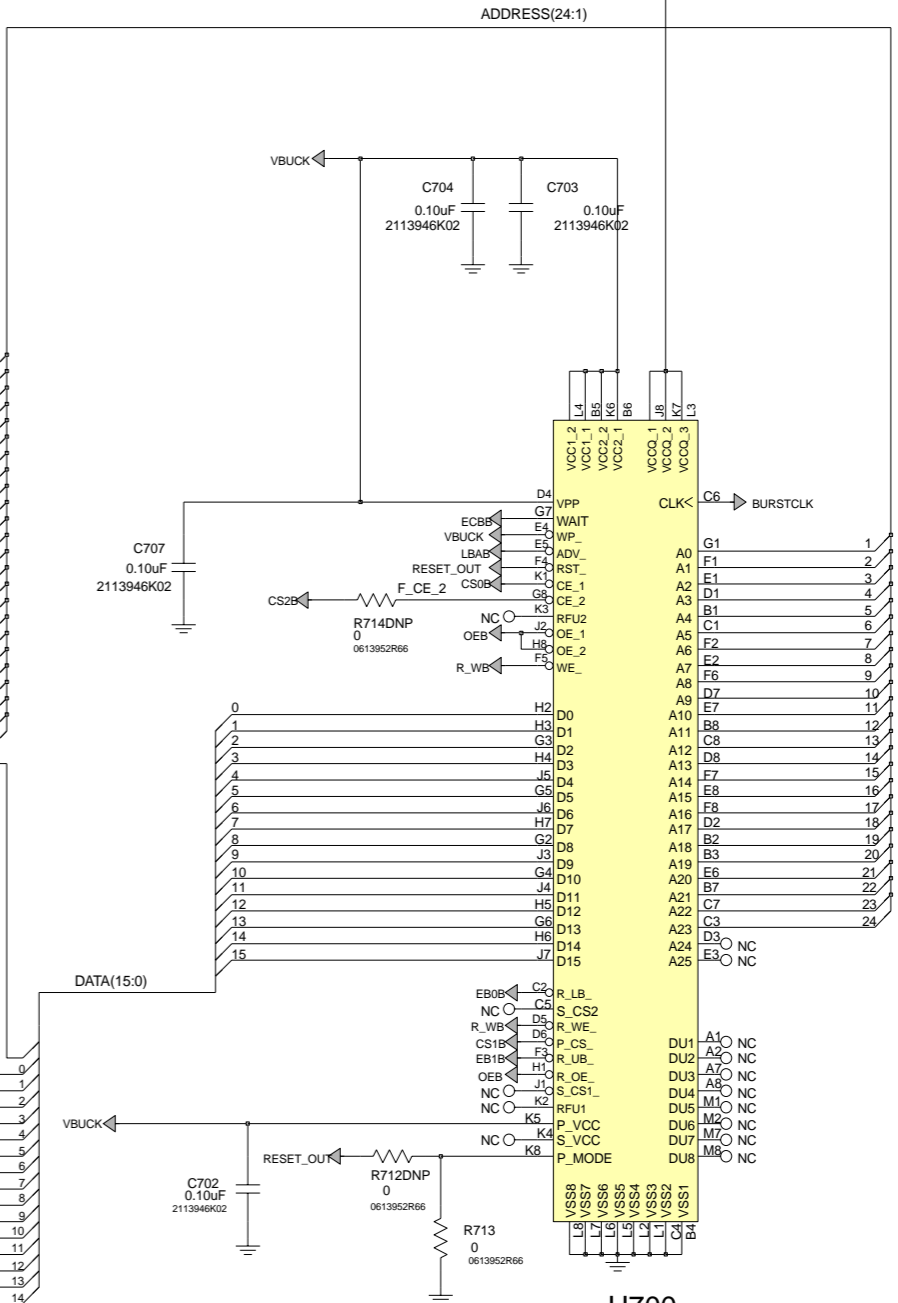
U800
Neptune LTE2
PC29342
5199185K03



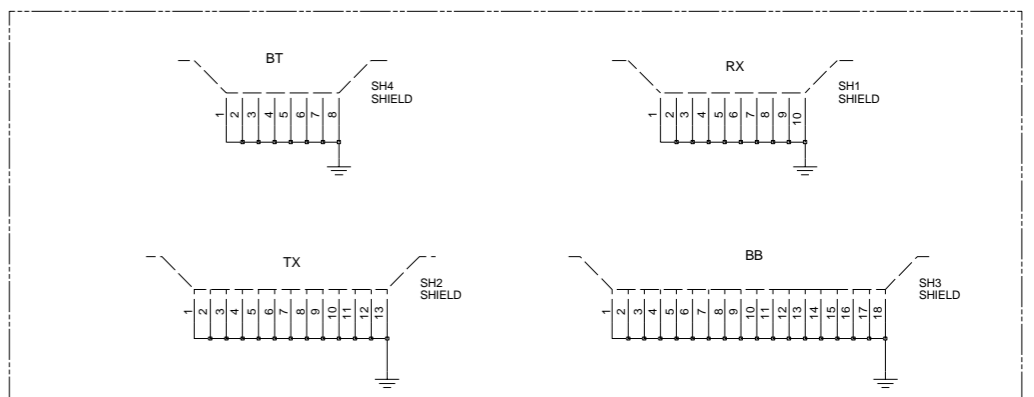
AMBIENT LIGHT CCT



AUL REGULATOR SUPPLIES



U700
5199159J01
256 Mbit Flash / 64 Mbit PSRAM



SHIELDS

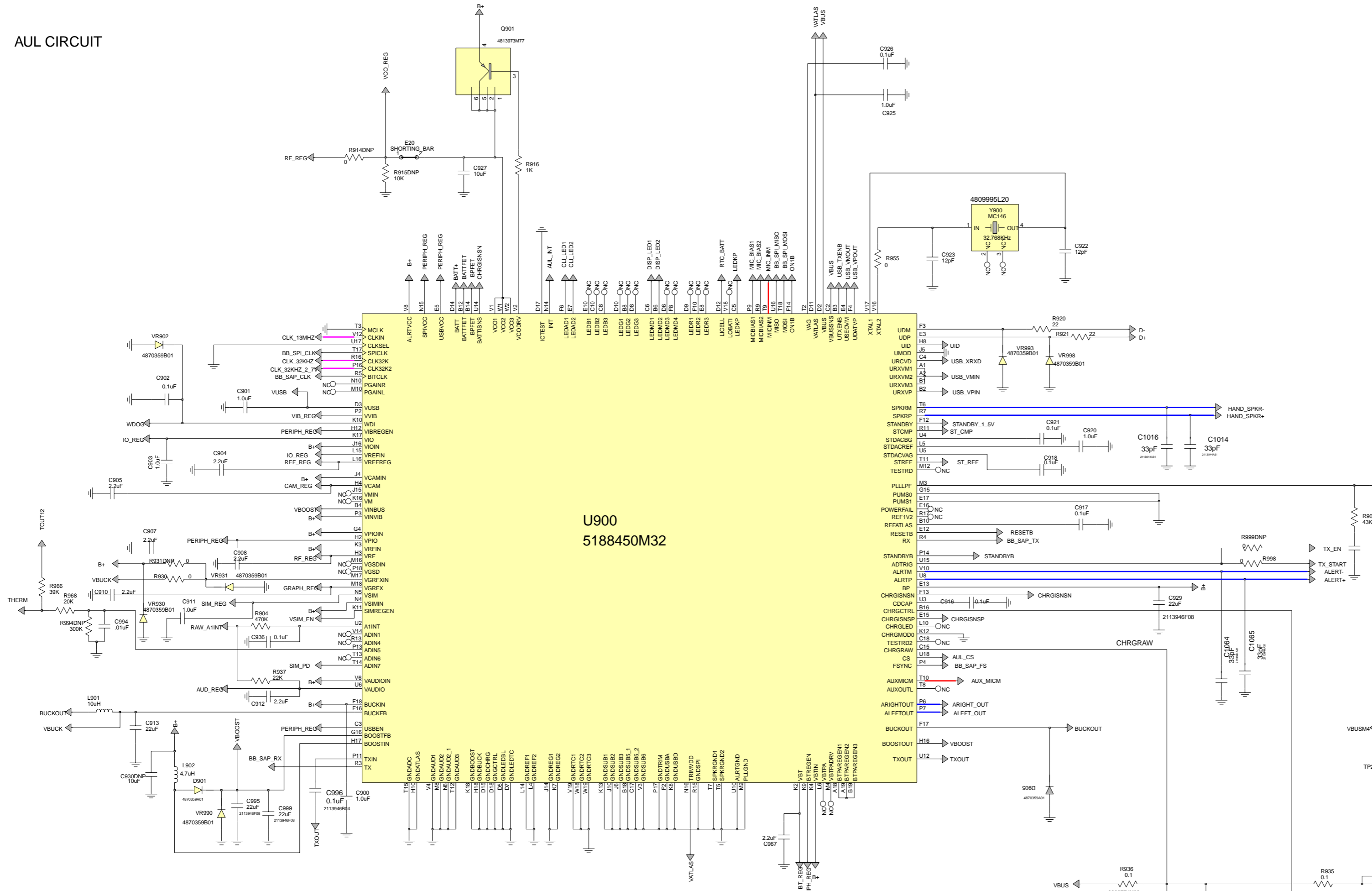
Sector RLS Lib

V36x_ 8471030A02

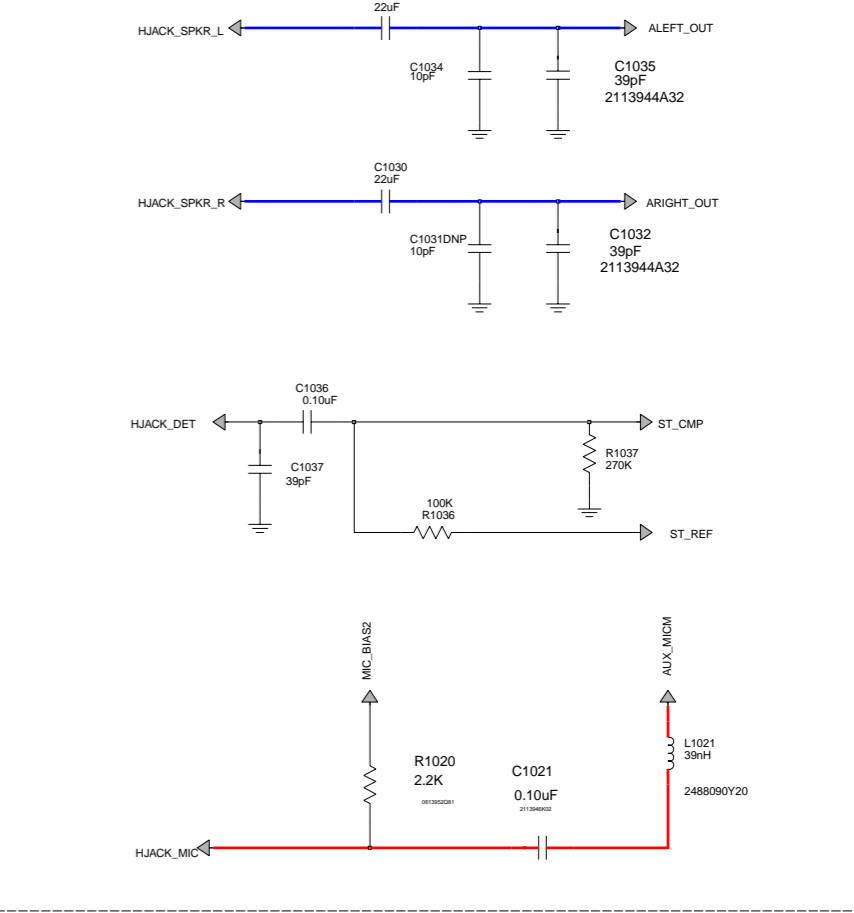
Service Engineering & Optimization
Level 3 Authorized

Service Engineering & Optimization	2006.06.07
Level 3 Schematics	Rev. 1.3
V360, V361, V365, V367	8471030A02_ra
	Page 2 of 4

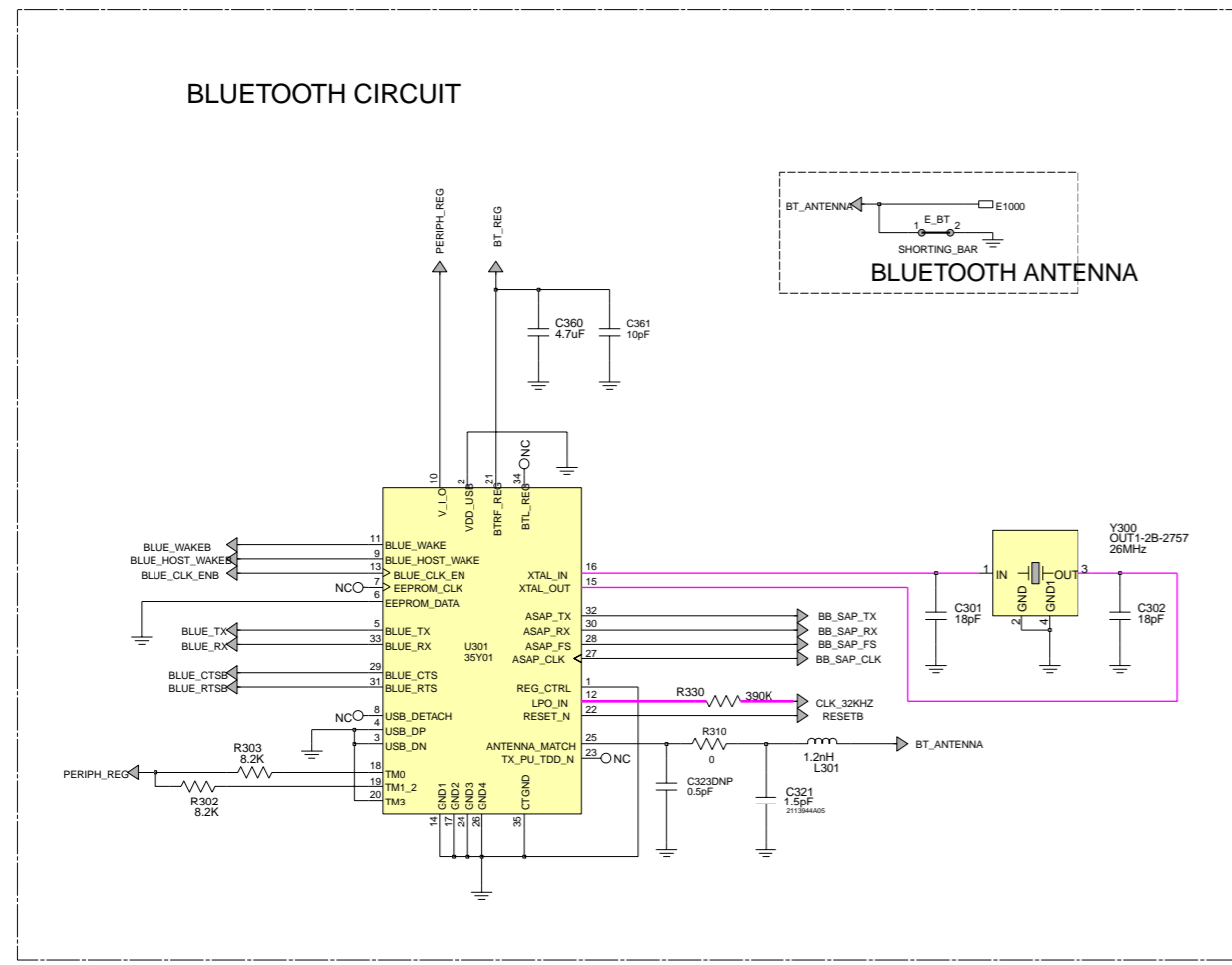
AUL CIRCUIT



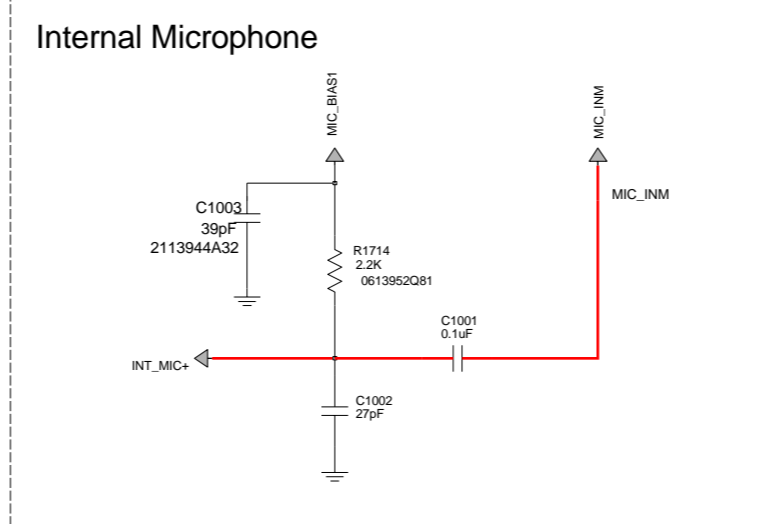
Headset Jack



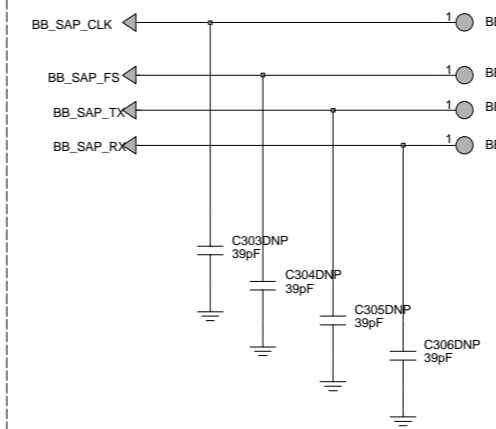
BLUETOOTH CIRCUIT



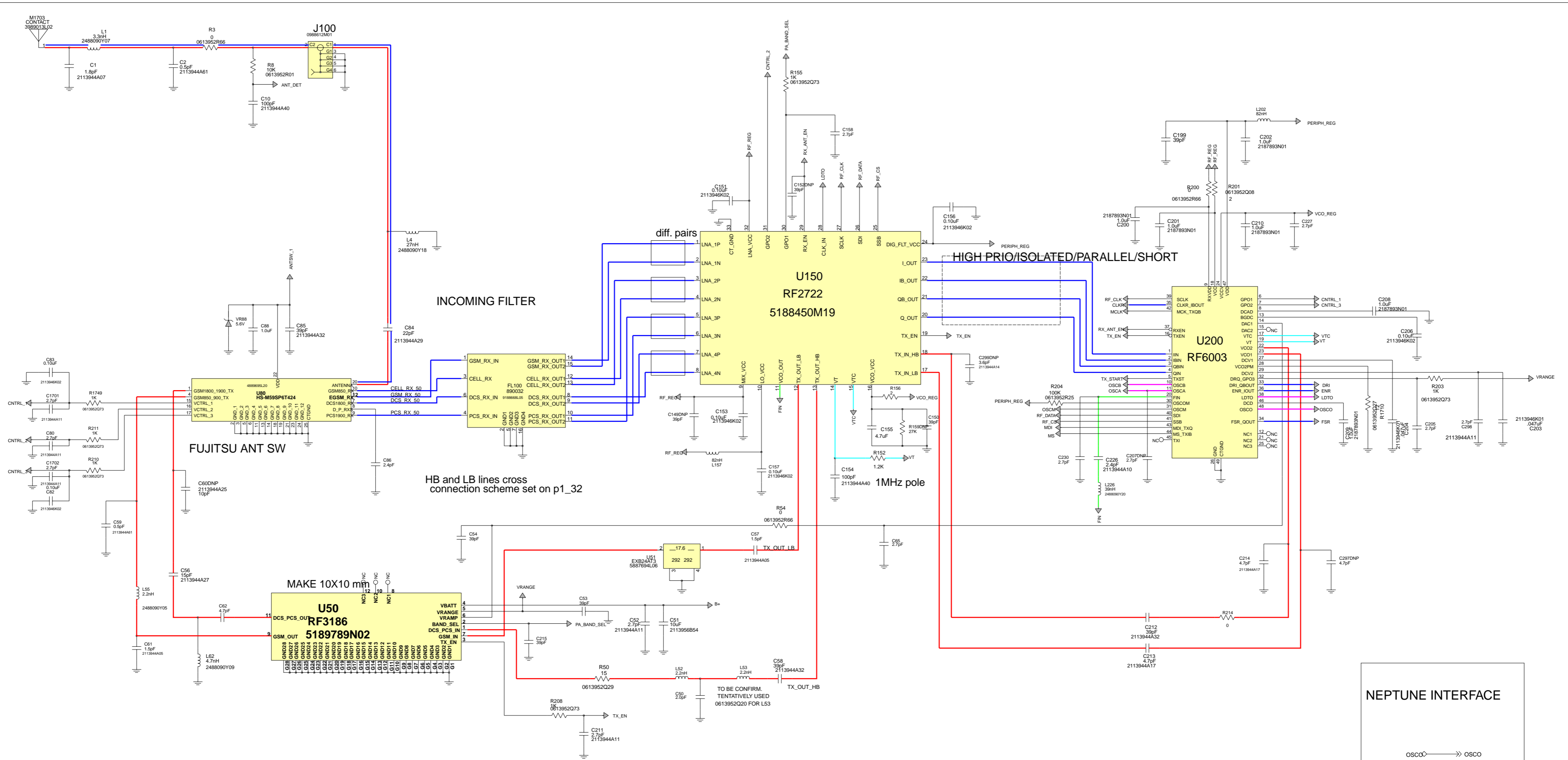
Internal Microphone



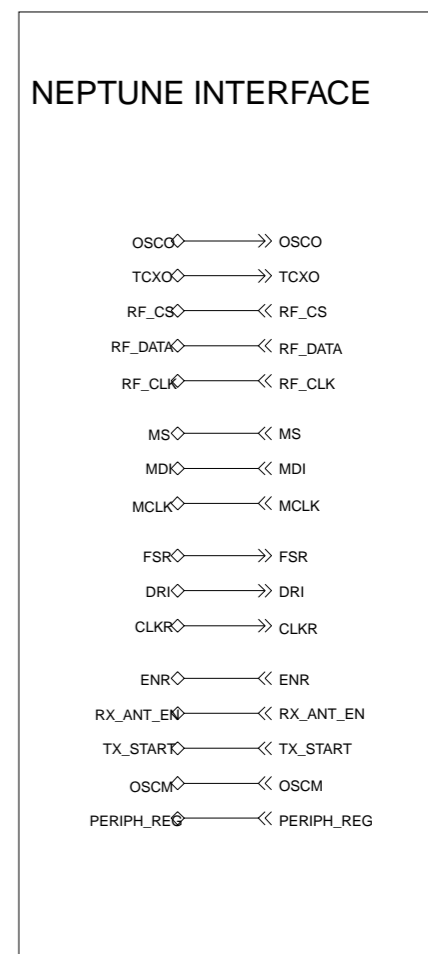
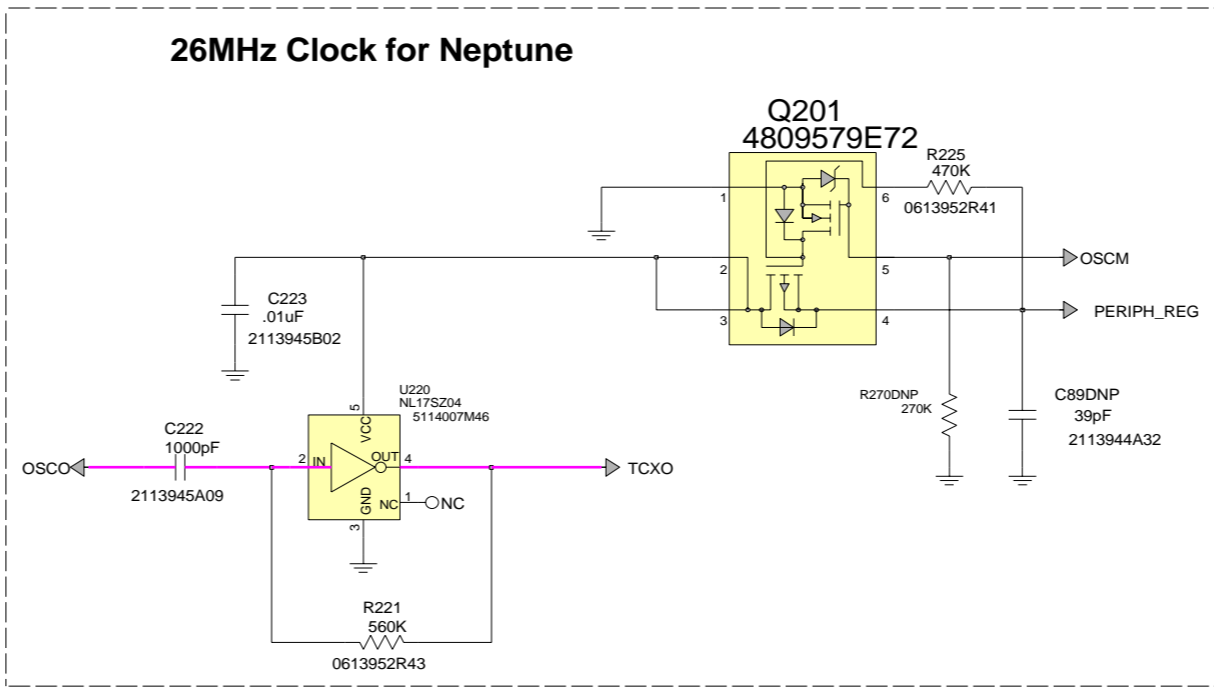
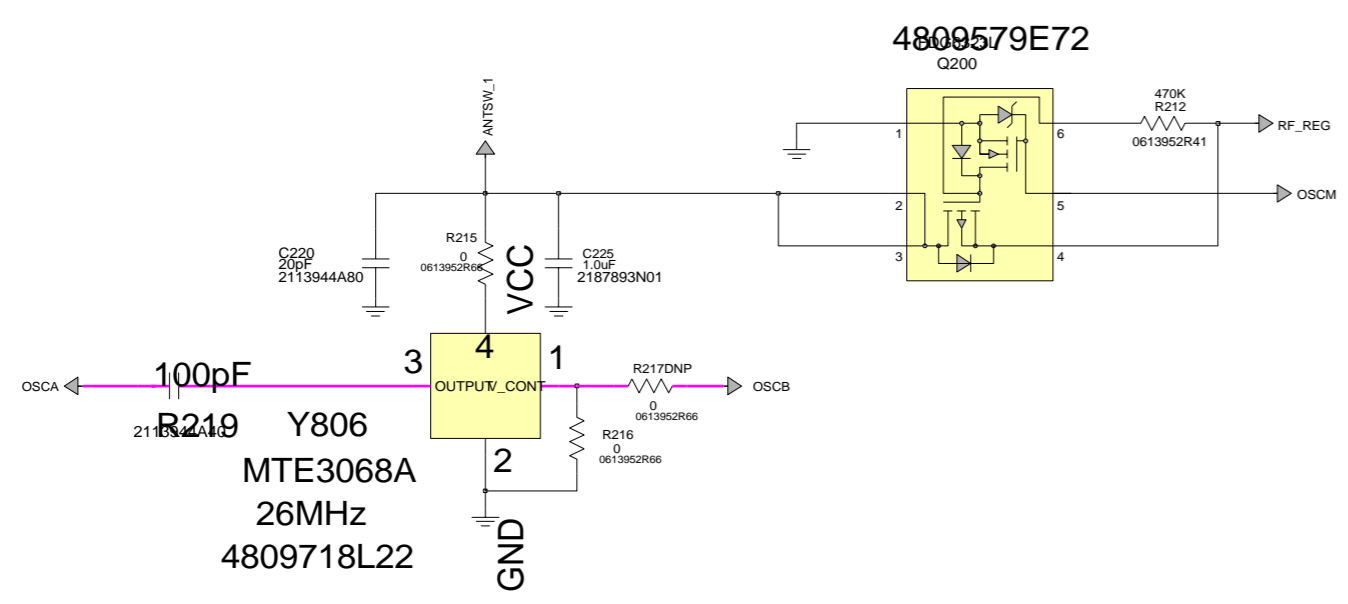
DAI Test Points



V36x_ 8471030A02



SURFACE ROUTE -MAGENTA
 NOISE SUSCEPTABLE(NEED ISOLATION)-BLUE
 FAST SWITCHED CONTROL LINES_GREEN
 SLOW SWITCHED CONTROL LINES OR DONT CARES_GOLD
 DC SUPPLIES-CYAN
 RF LINES - RED



V36x_ 8471030A02

Service Engineering & Optimization
 Level 3 Authorized

Service Engineering & Optimization	2006.06.07
Level 3 Schematics	Rev. 1.3
V360, V361, V365, V367	8471030A02_ra
	Page 4 of 4