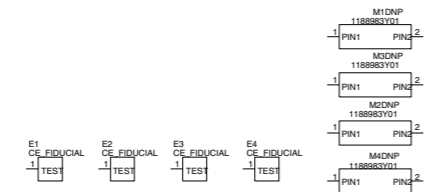
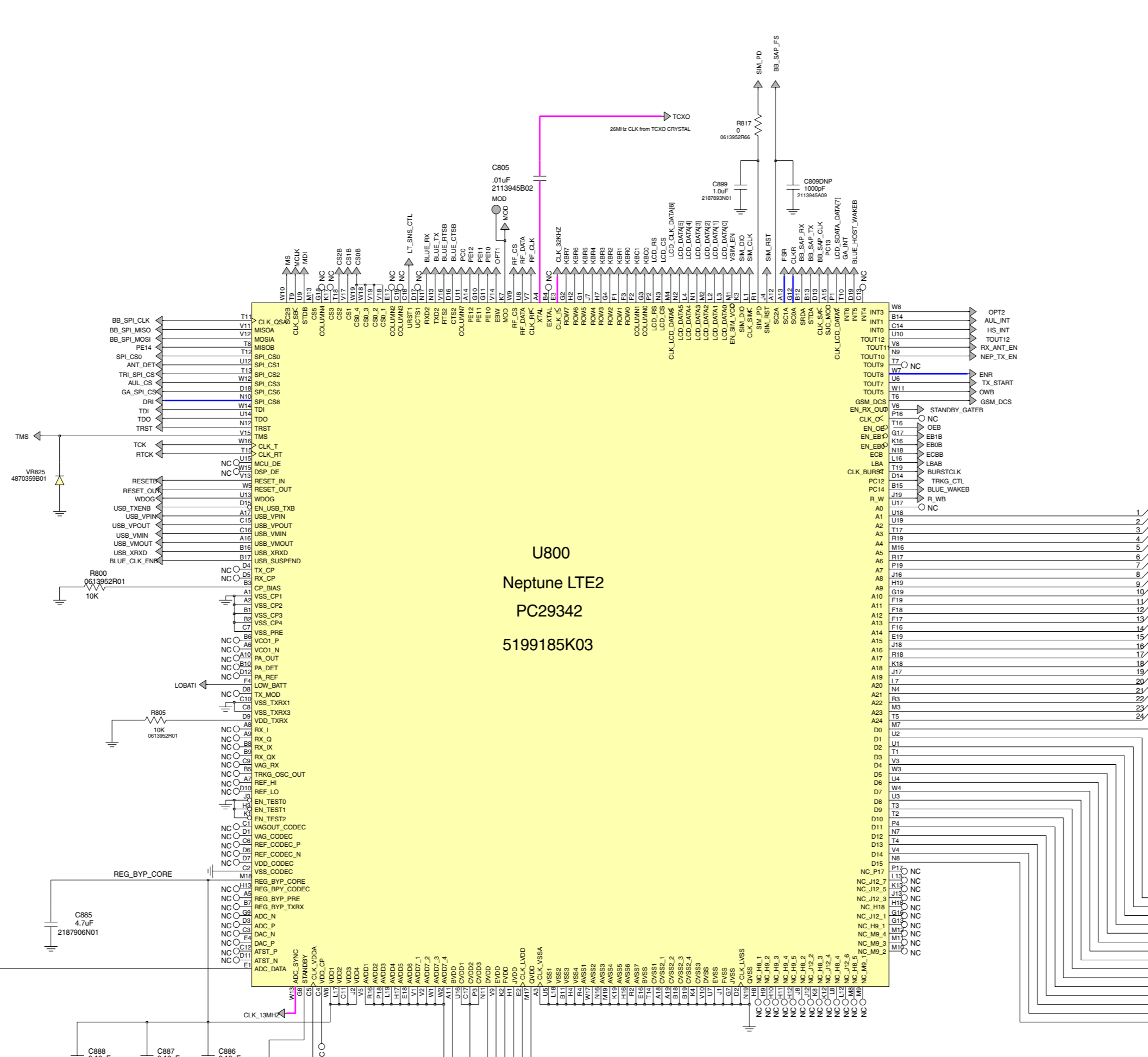
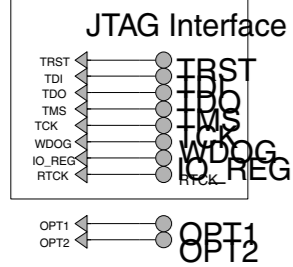


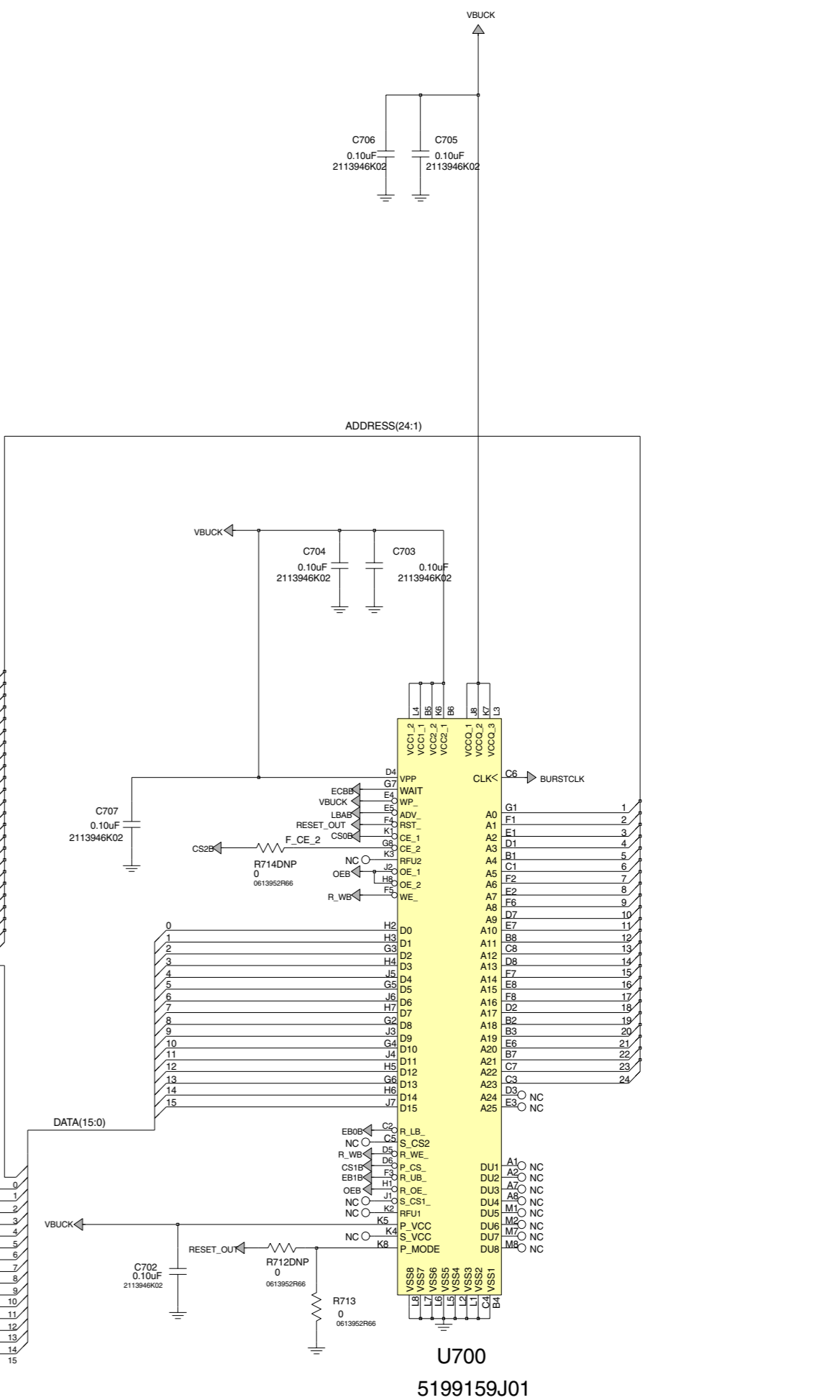
V36x\_ 8471030A02



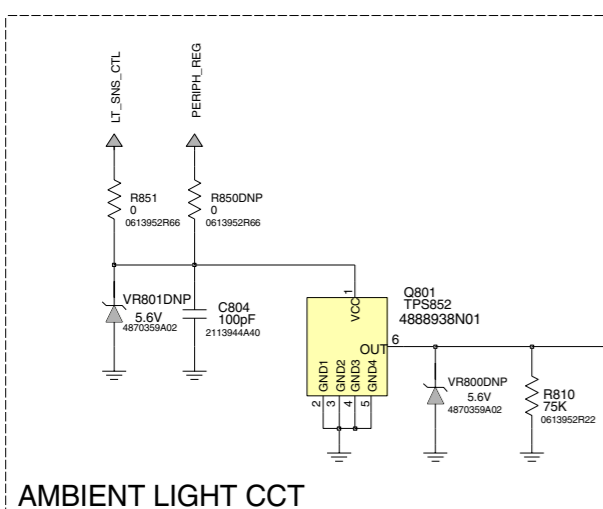
JTAG TEST POINTS



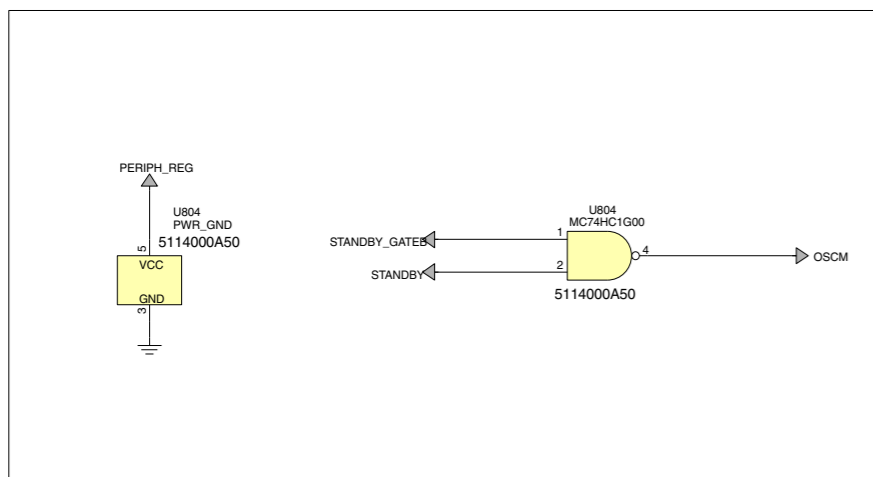
U800  
Neptune LTE2  
PC29342  
5199185K03



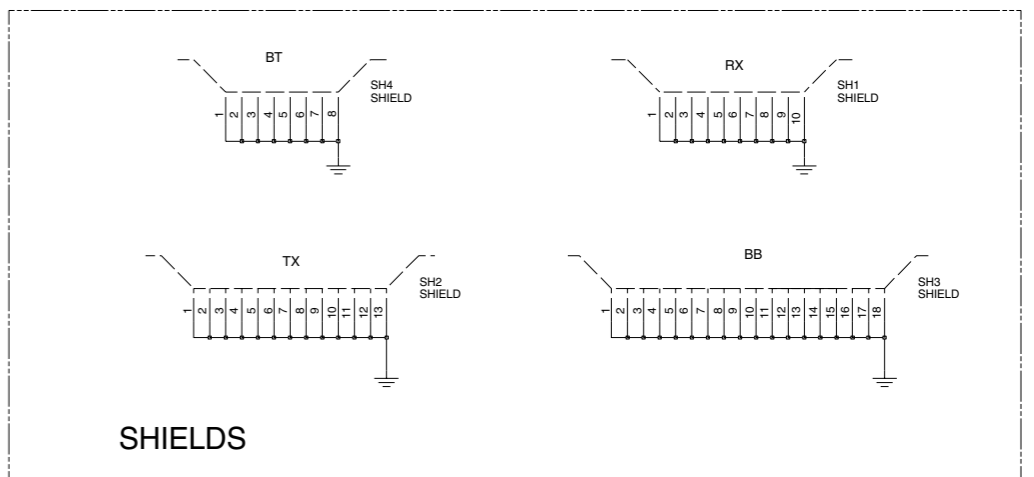
U700  
5199159J01  
256 Mbit Flash / 64 Mbit PSRAM



AMBIENT LIGHT CCT



AUL REGULATOR SUPPLIES



SHIELDS

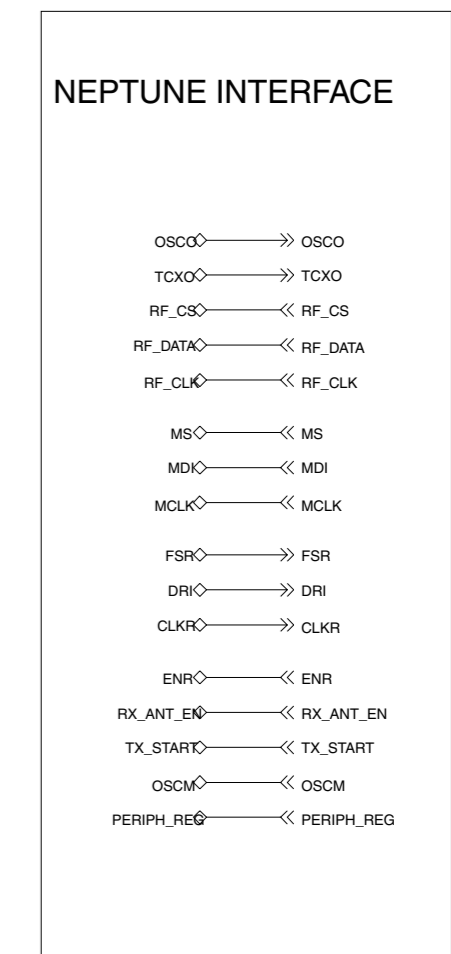
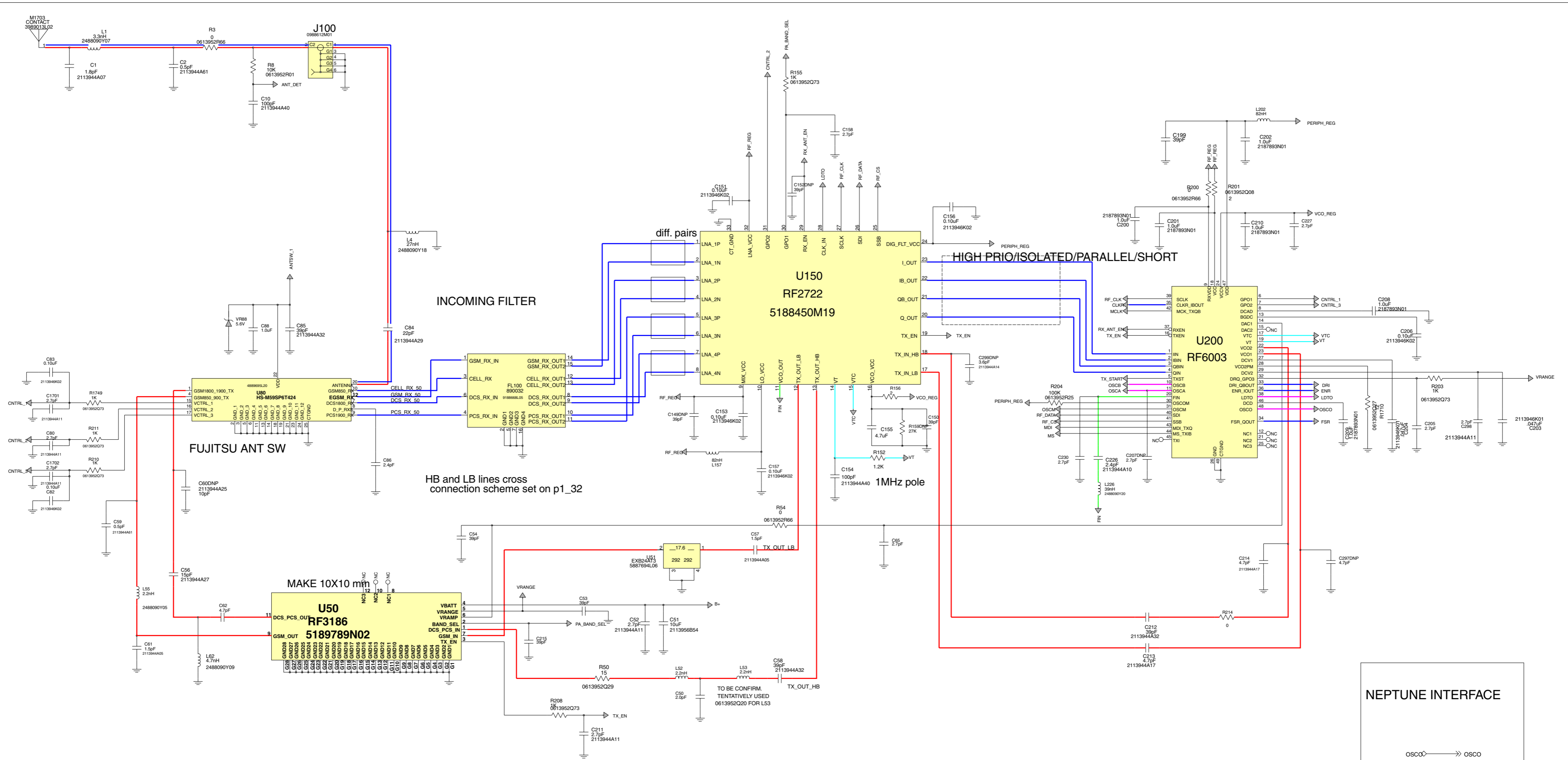
Sector RLS Lib

V36x\_ 8471030A02

Service Engineering & Optimization  
Level 3 Authorized

Service Engineering & Optimization	2005.12.01
Level 3 Schematics	Rev. 1.2
V360, V361, V367	8471030A02_ra
Alexander Buehler, Michael Mauderer	Page 2 of 4





**V36x\_ 8471030A02**

Service Engineering & Optimization	2005.12.01
Level 3 Schematics	Rev. 1.2
V360, V361, V367	8471030A02_rn
Alexander Buchler, Michael Mauderer	Page 4 of 4



**SURFACE ROUTE -MAGENTA**  
**NOISE SUSCEPTABLE(NEED ISOLATION)-BLUE**  
**FAST SWITCHED CONTROL LINES\_GREEN**  
**SLOW SWITCHED CONTROL LINES OR DONT CARES\_GOLD**  
**DC SUPPLIES-CYAN**  
**RF LINES - RED**

