

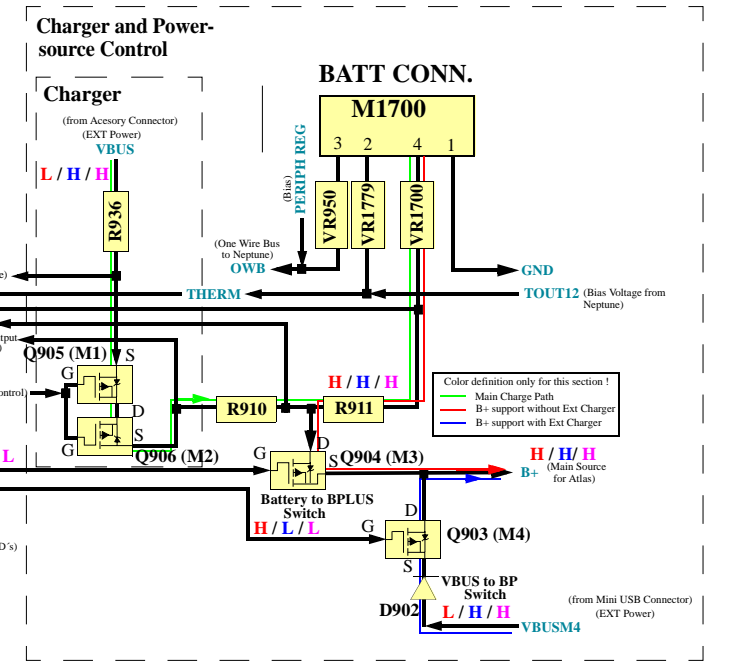
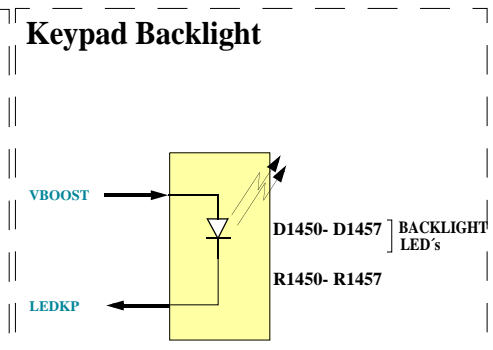
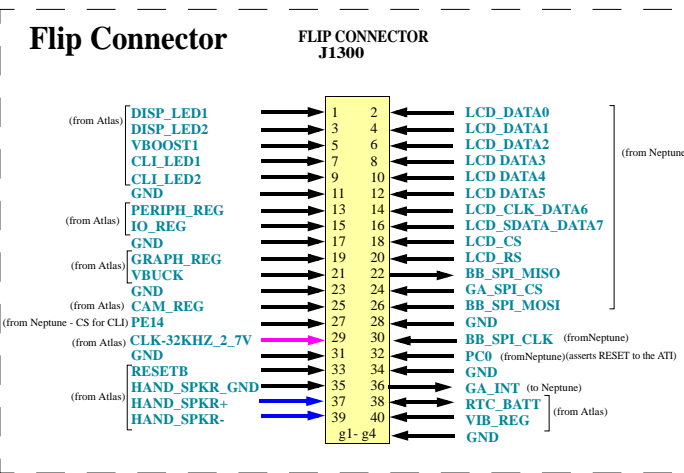
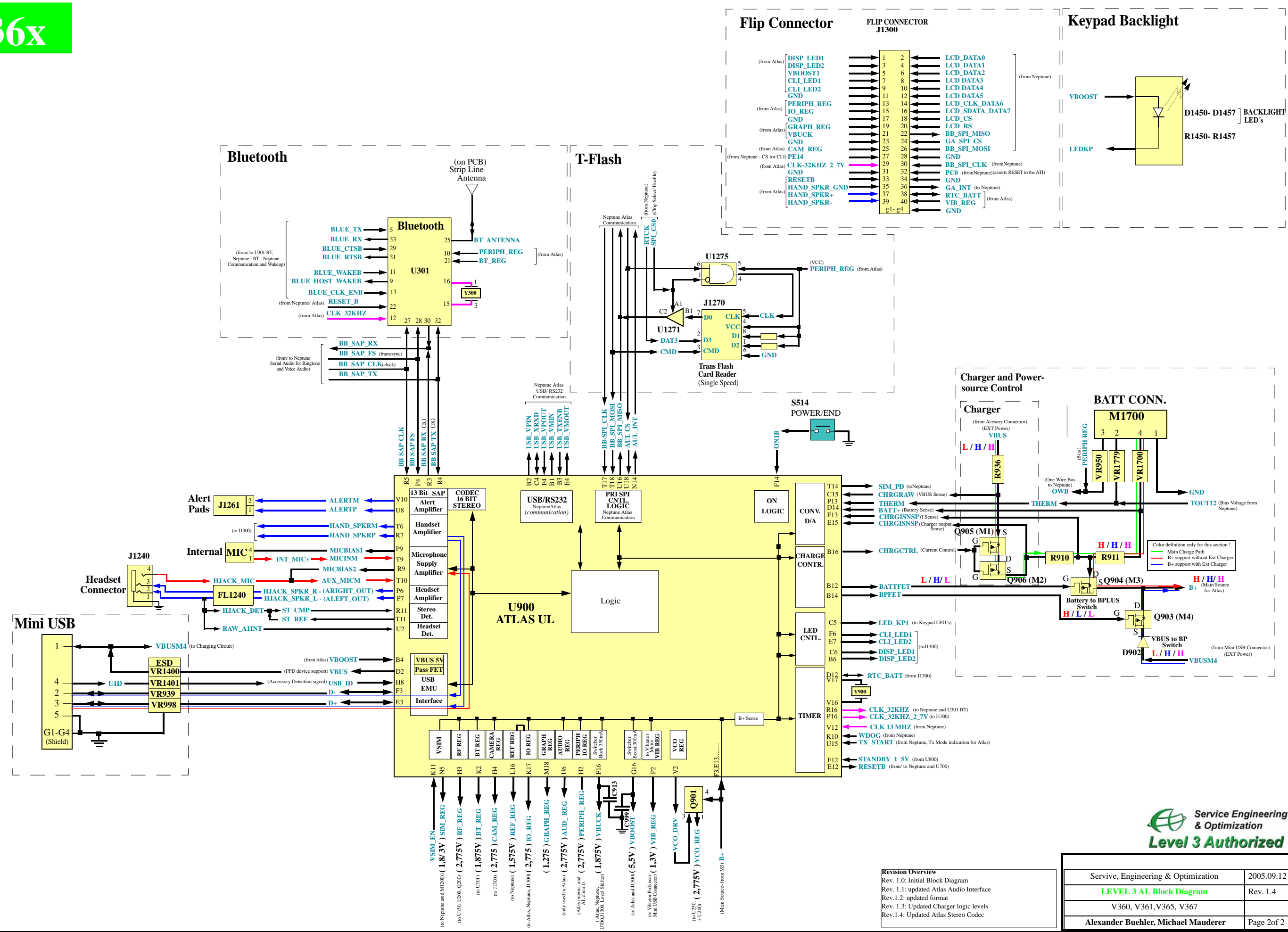
RX MID CHANNELS
 850: CH190 -- 881.6
 GSM: CH 62 -- 947.4 MHz
 EGSM: CH 37 -- 942.4MHz
 DCS: CH 700 -- 1842.8MHz
 PCS: CH 661 -- 1960MHz

V36x

Service Engineering & Optimization
Level 3 Authorized

Service, Engineering & Optimization	2005.09.12
LEVEL 3 AL Block Diagram	Rev. 1.4
V360, V361, V365, V367	
Alexander Buehler, Michael Mauderer	Page 1 of 2

V36x



Revision Overview

Rev. 1.0:	Initial Block Diagram
Rev. 1.1:	updated Atlas Audio Interface
Rev. 1.2:	updated format
Rev. 1.3:	Updated Charger logic levels
Rev. 1.4:	Updated Atlas Stereo Codec



Servive, Engineering & Optimization	2005.09.12
LEVEL 3 AL Block Diagram	Rev. 1.4
V360, V361, V365, V367	
Alexander Buehler, Michael Mauderer	Page 2of 2