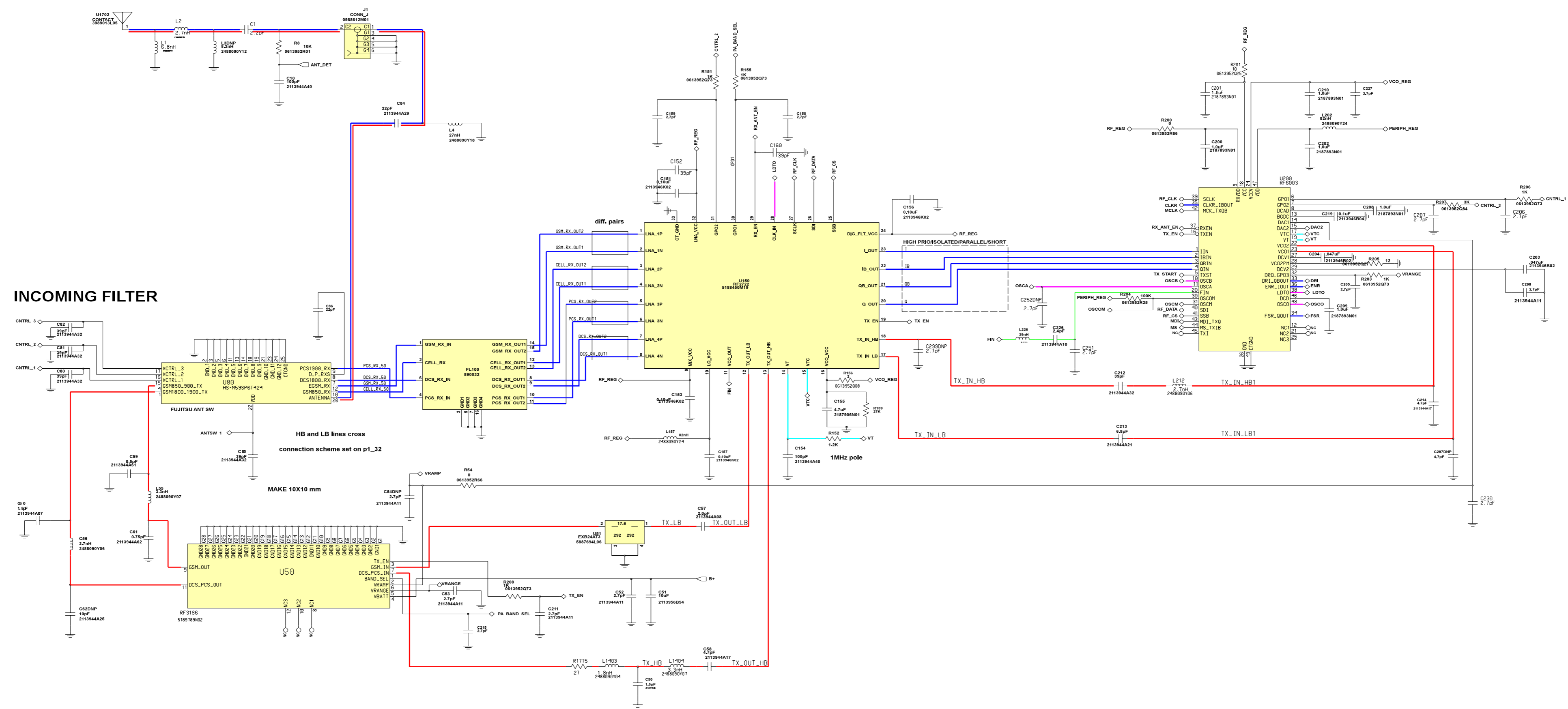
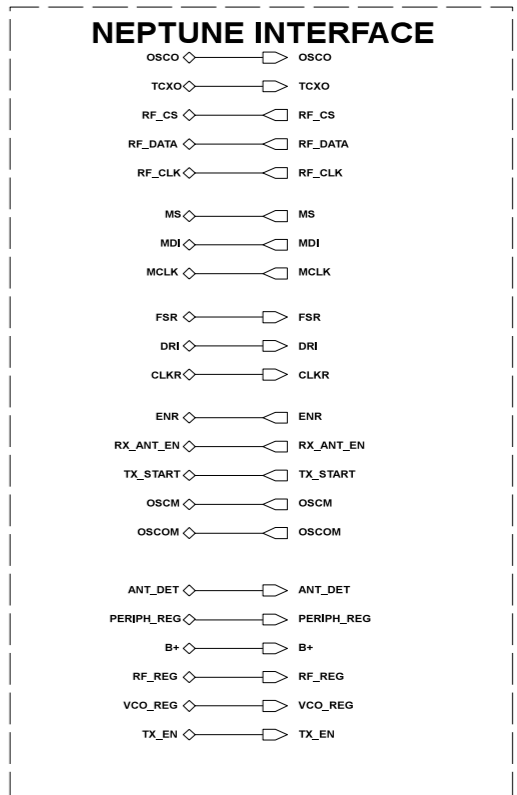
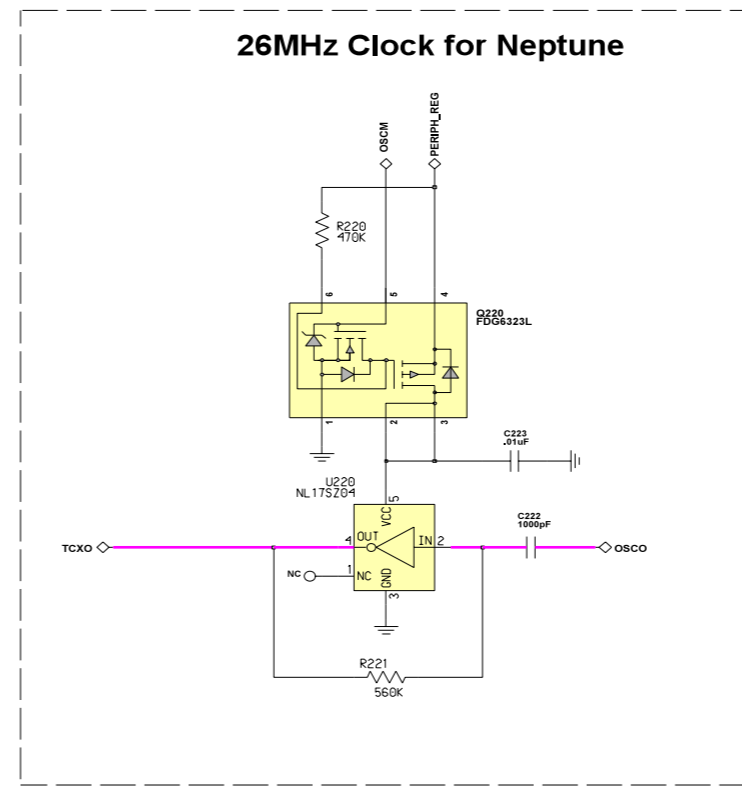
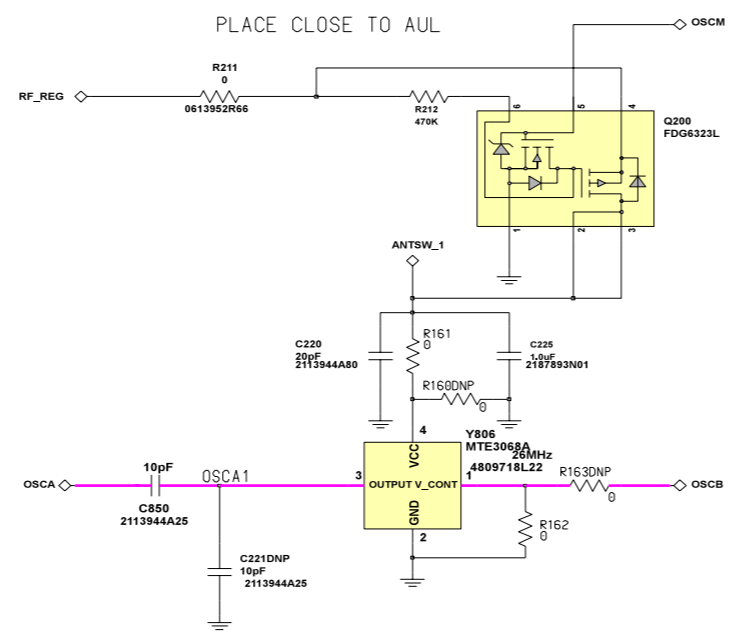


**V235 8471128A01 Rev.0**

Service Engineering & Optimization  
**Level 3 Authorized**

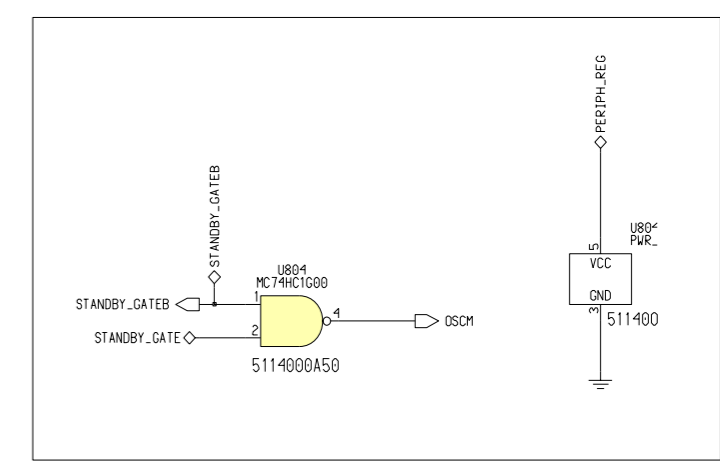
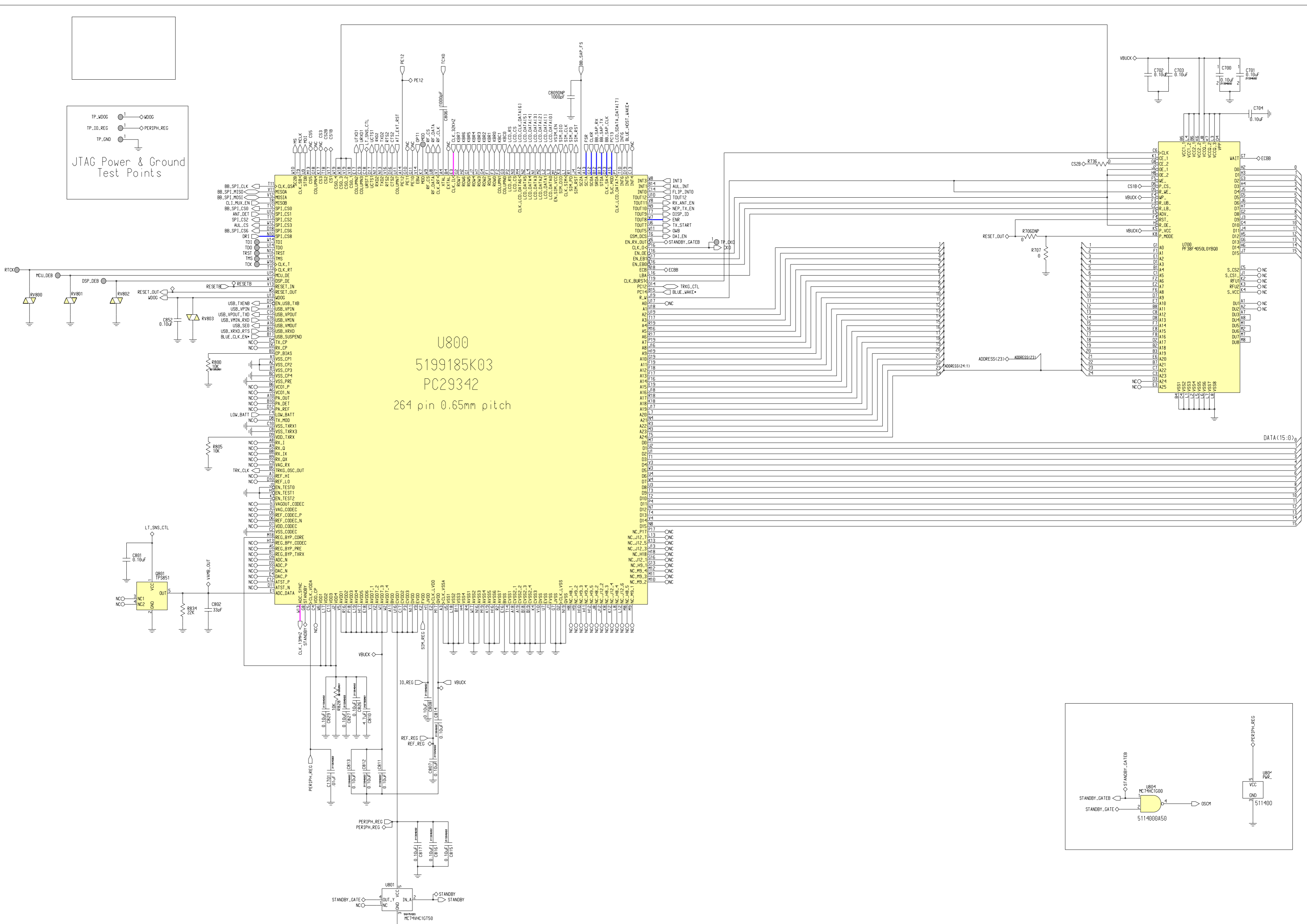
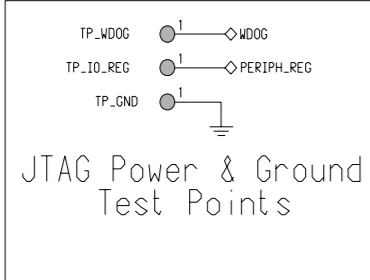
|                                   |
|-----------------------------------|
| 2005.10.18                        |
| Level 3 Schematics                |
| Rev. 1.0                          |
| V235                              |
| 8471128A01-Rev0                   |
| Alexander Buchler, Michael Hansen |
| Page 1 of 5                       |



**V235 8471128A01 Rev.0**

Service Engineering & Optimization  
**Level 3 Authorized**

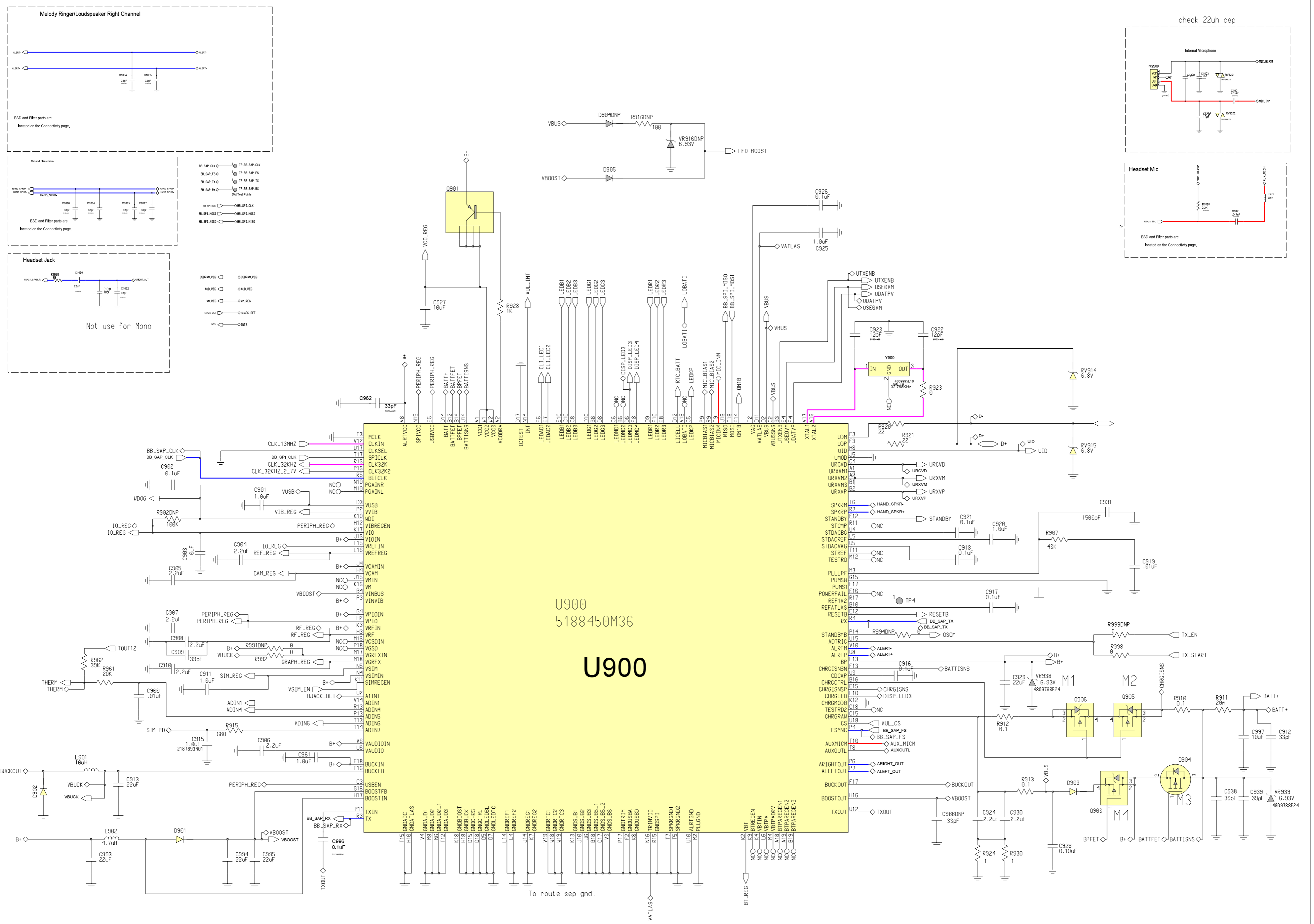
|                                   |                 |
|-----------------------------------|-----------------|
| Level 3 Schematics                | 2005.10.18      |
| V235                              | Rev. 1.0        |
| Alexander Buchler, Michael Hansen | 8471128A01-Rev0 |
|                                   | Page 2 of 5     |



**V235 8471128A01 Rev.0**

Service Engineering & Optimization  
**Level 3 Authorized**

|                                   |                 |
|-----------------------------------|-----------------|
| Level 3 Schematics                | 2005.10.18      |
| V235                              | Rev. 1.0        |
| Alexander Buehler, Michael Hansen | 8471128A01-Rev0 |
|                                   | Page 3 of 5     |



**V235 8471128A01 Rev.0**

Service Engineering & Optimization  
**Level 3 Authorized**

|                                   |
|-----------------------------------|
| 2005.10.18                        |
| Rev. 1.0                          |
| V235                              |
| 8471128A01-Rev0                   |
| Alexander Buehler, Michael Hansen |
| Page 4 of 5                       |

