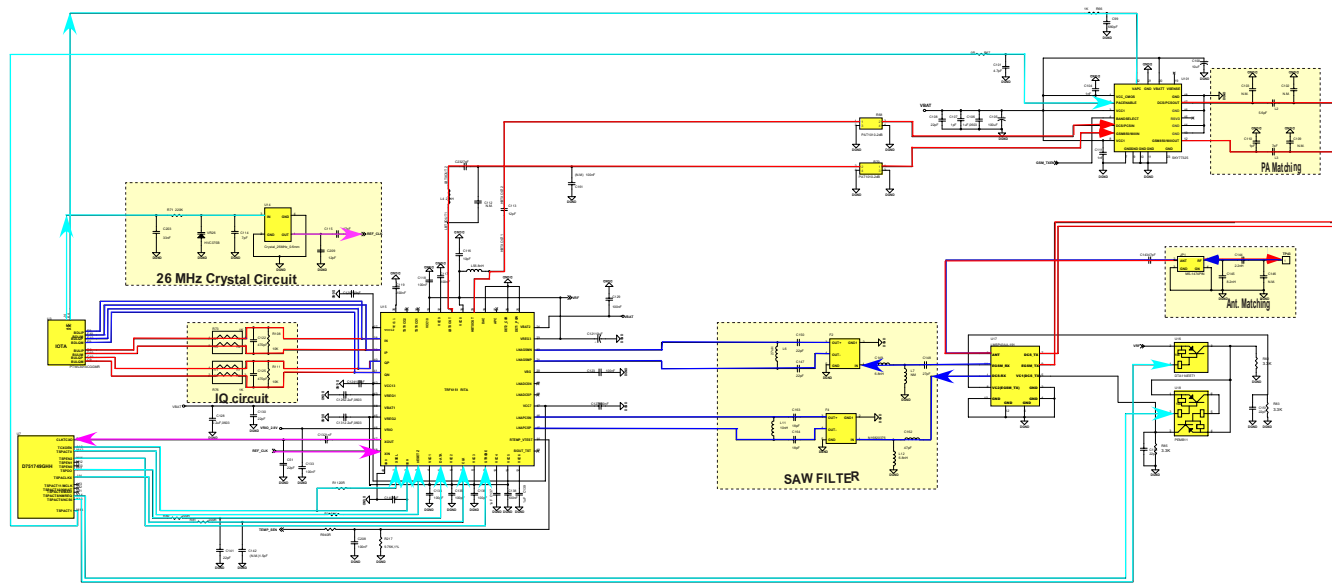


BASEBAND
V171



RF circuit
V171 US Band

REVISIONS

Service Engineering & Optimization	2004.12.22
Level 3 Schematics	Rev. 1.0
V171	
Alexander Buchler, Michael Hansen	Page 2 of 2