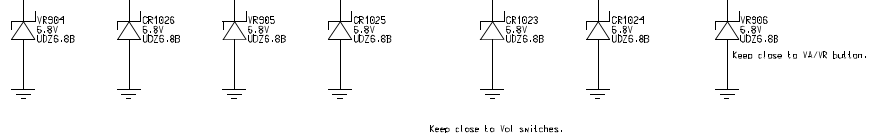
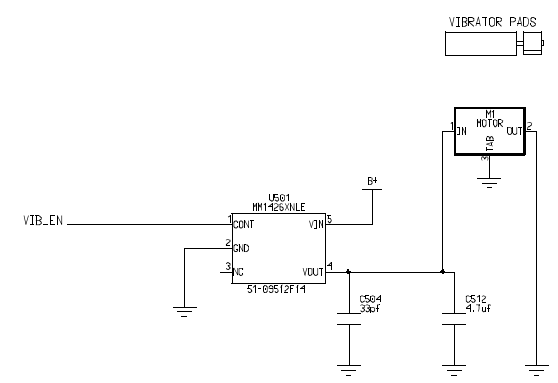
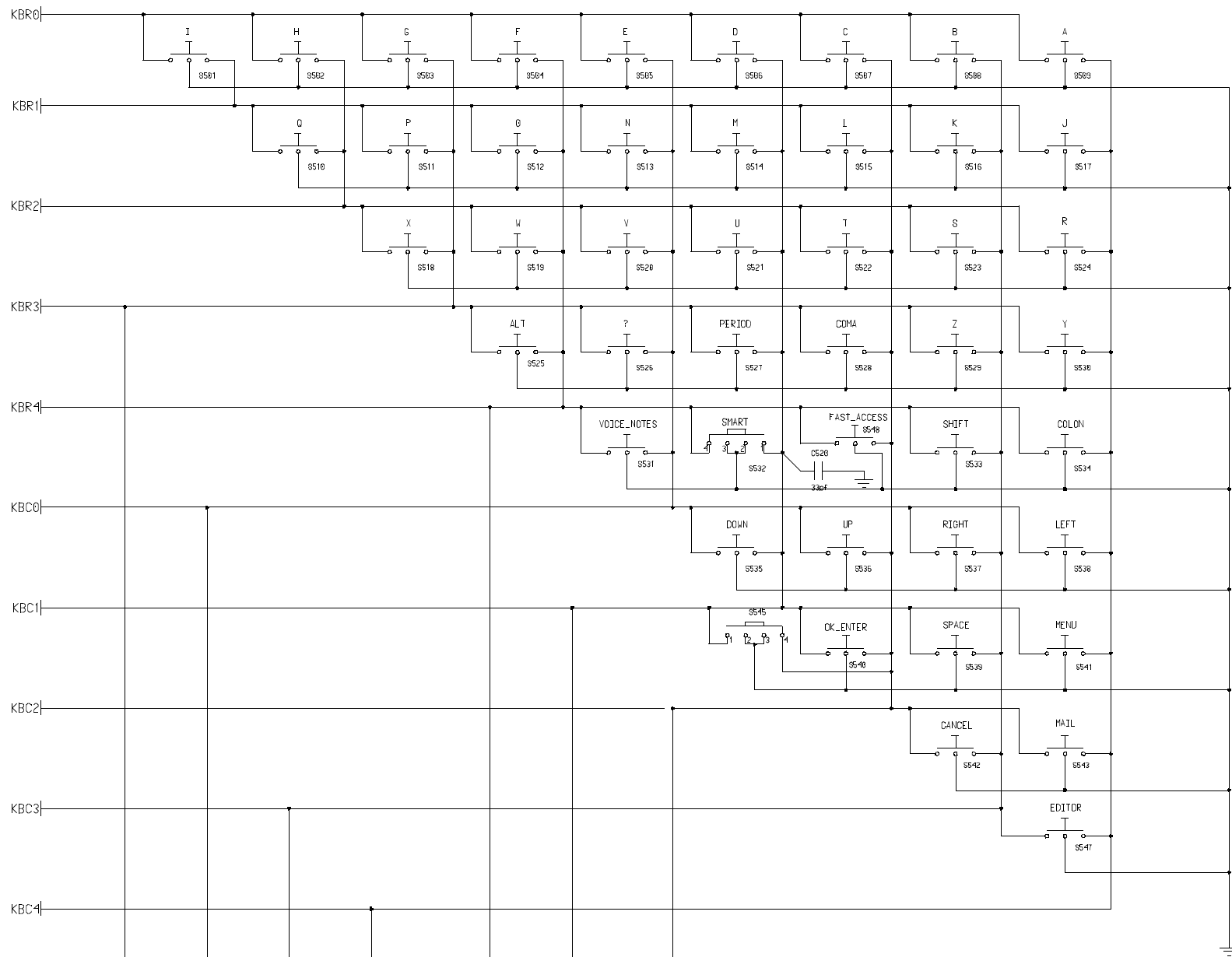
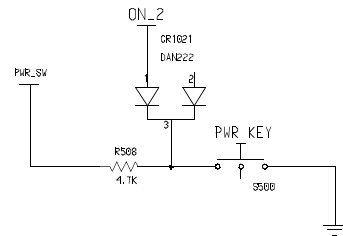


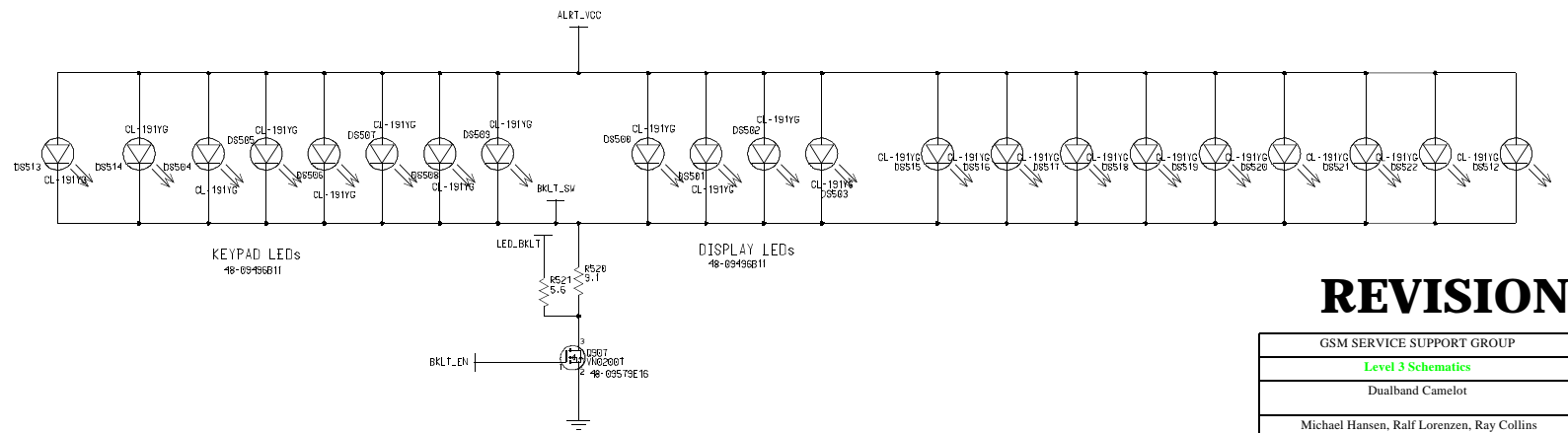
# Dual Band Camelot\_8486470K01\_P5

20x40 pads: DMPs currently placed  
Pullups possibly not needed for keypad.

Reedswitch modified to accommodate  
3 different mechanical switches  
in the PCB. Actual reedswitch  
is not used.



Keep close to I/O switches.



Camelot Controller 8486319K01_P0 SHEET 3 (LOGIC)		
ISS.	COMMENTS	DATE
P2	Moved zeners to all side mounted switches only Removed KBC0_FREAK	4/4/2008 J. Gilbert
P2	Changed Voicenotes button Deleted outside 'C' button	4/18/2008 J. Gilbert
P2	Changed C512 from tantalum to ceramic	4/27/2008 J. Gilbert
P4	Added extra res R521 to handle power	6/7/2008 J. Gilbert
P4	Added 21st LED for keypad backlight	6/12/2008 Bruce Morten
P4	Connected R521 to LED LEDs only	6/25/2008 Bruce Morten

## REVISIONS

GSM SERVICE SUPPORT GROUP	22.08.00
Level 3 Schematics	Rev. 1.0
Dualband Camelot	8486470k01_P5
Michael Hansen, Ralf Lorenzen, Ray Collins	Page 1