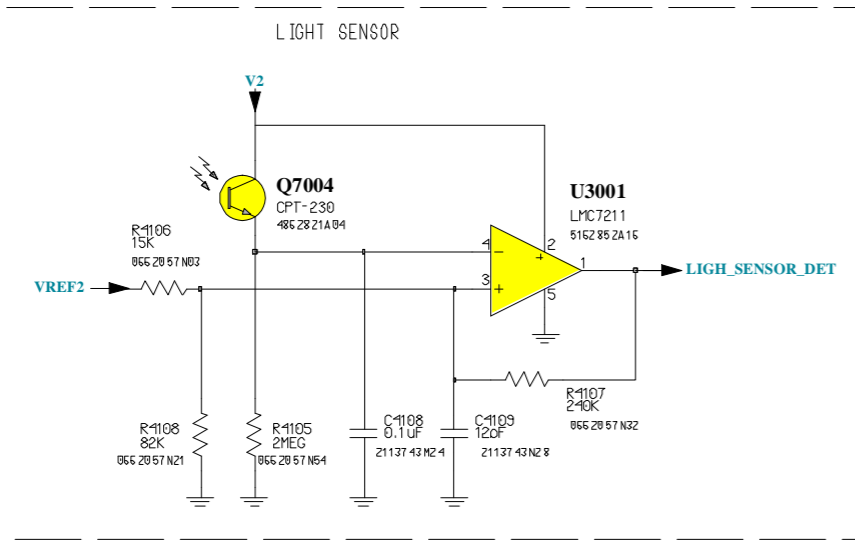
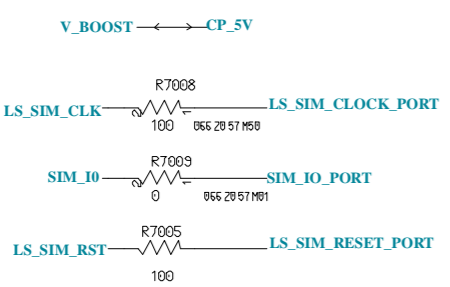
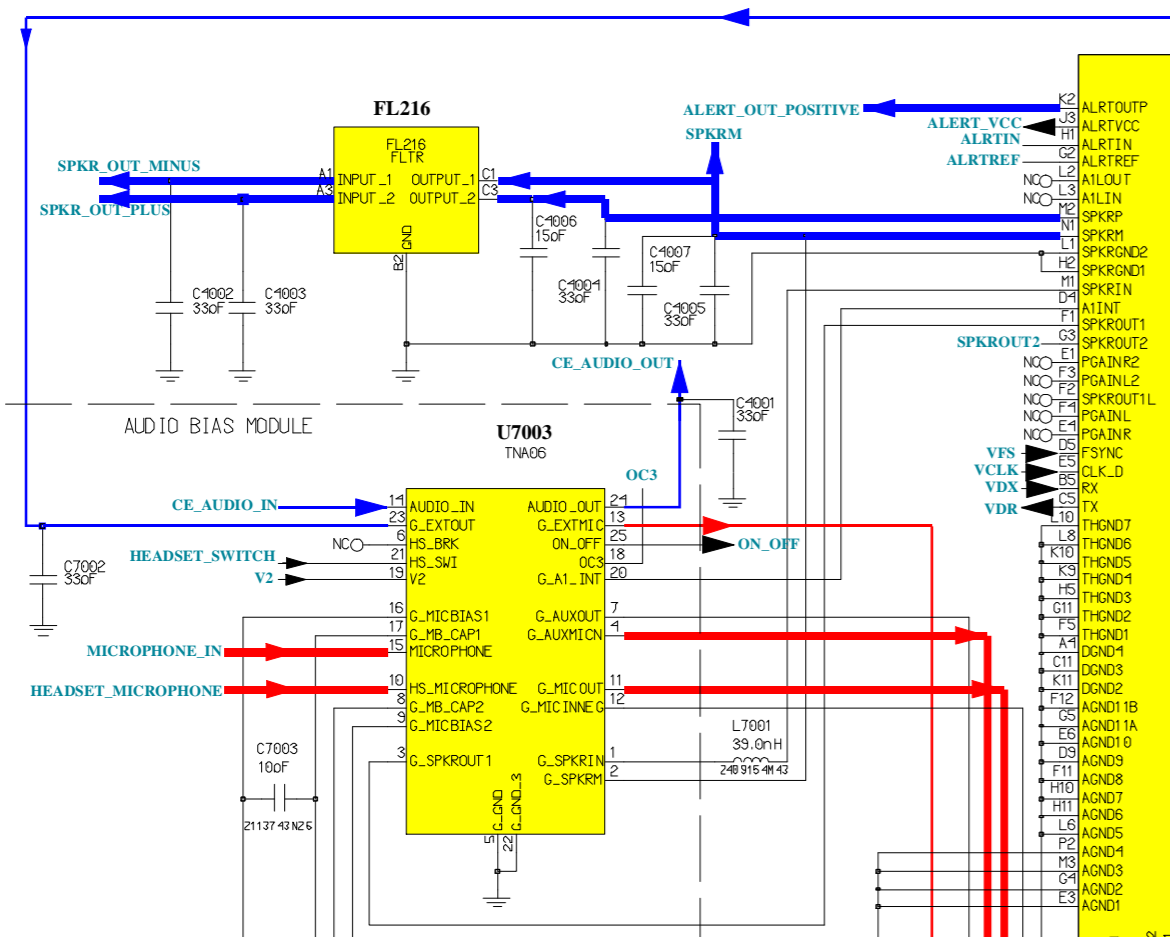
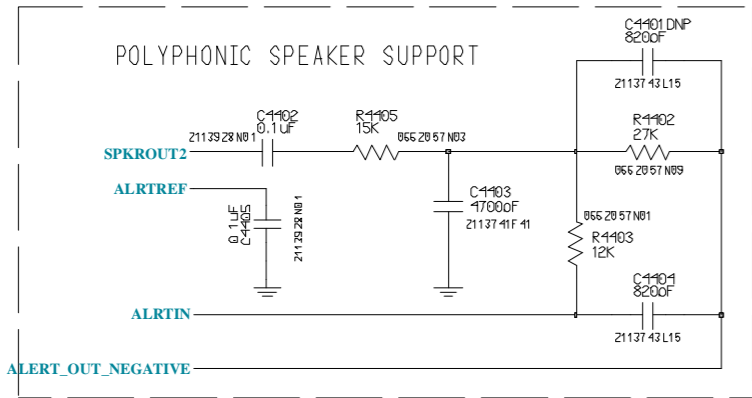


- 9-24-01 Added high voltage prog res to flash ckt R2201
- 9-24-01 Split C1101 into two caps C1101 and C1102
- Removed stacked memory and replaced with 64mbit Whitcliff flash and 16 mbit Samsung SRAM
- 9-24-01 Replaced R7011NDP with placed res R7011 and deleted loop around it
- 9-24-01 Added bypass cap to SRAM C7138
- 9-24-01 changed CS1 from EIM_CS2 to SR_CSN
- 9-24-01 Connected NC1 from U2003 to A20
- 10-08-01 Added cap c1013 to GCAP_13MHZ_CLOCK line
- 01-18-02 Replaced U2003 with a 16 mbit part 5185353064
- 01-21-02 Replaced C1006 and C1008 with dual cap C1006
- 01-21-02 Replaced C1101 and C1102 with dual cap C1101
- 01-21-02 Replaced C1004 and C1005 with dual cap C1004
- DELETED TP204, TP205
- 03-14-02 Removed R2201, R1401, R7011
- 03-14-02 Connected INT2_PC14 TO URTS1_PA13 lines of Patriot
- 03-20-02 REPLACED PATRIOT WITH NEW PART D22
- 03-20-02 IMPLEMENTED JTAG TRU CE_BUS CONNECTOR. ADDED TP_MUX_CTL
- 04-23-02 ADDED LIGHT_SENSOR_DET LINE
- 6-11-02 Added DISP_RESET_N signal to rest display
- 6-11-02 Moved C1013 from GCAP_32KHZ_IN to GCAP_13MHZ_CLOCK for desense
- 6-11-02 Removed R1004
- 6-12-02 Added R1401 for desense
- 6-15-02 Updated Q1000 with 4809605E08
- 6-24-02 Added R1402 for Multitole phone flash issue
- 6-27-02 changed R1401 to 1.2 K for desense
- 7-15-02 changed R1401 to 1k and C1013 to 33 pf for desens

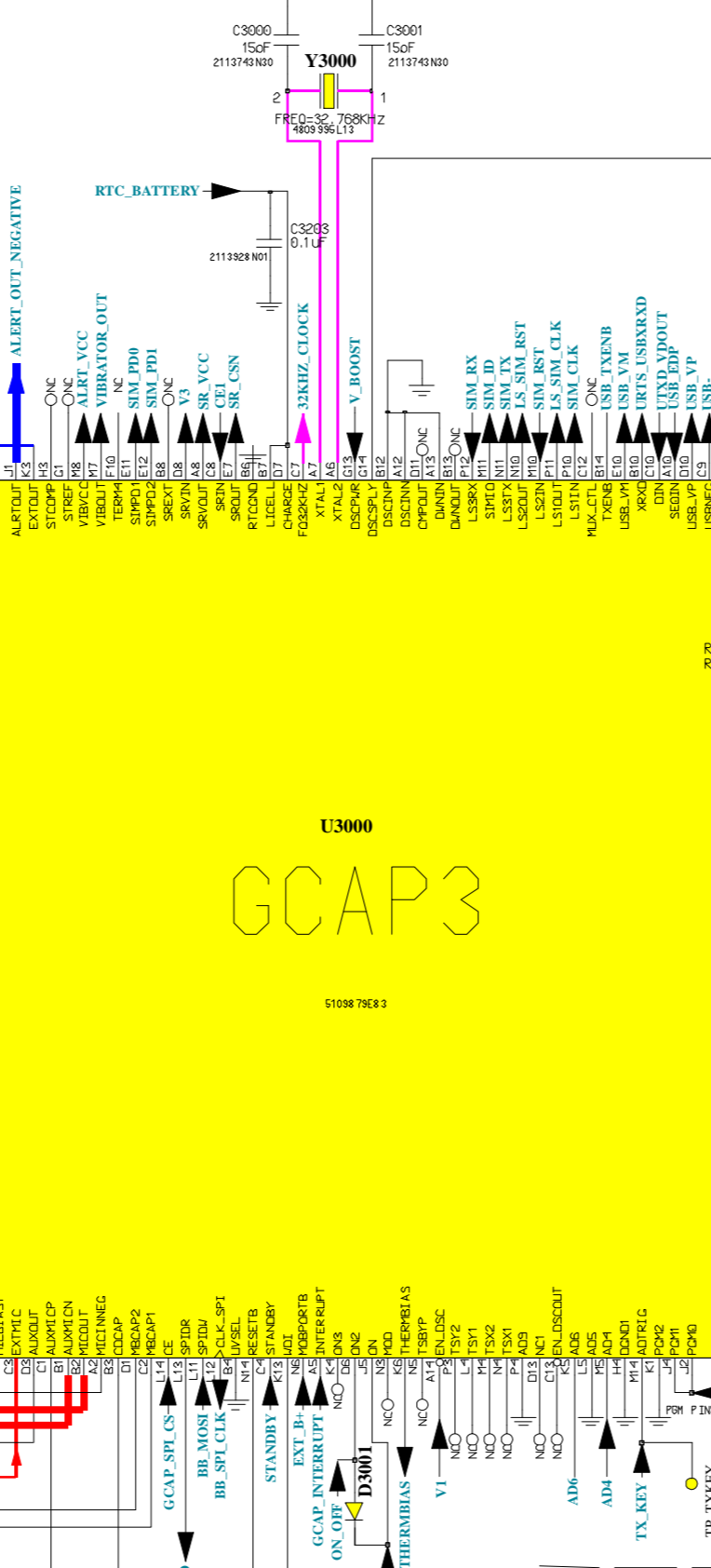
REVISIONS

GSM SERVICE SUPPORT GROUP	2002.12.09
Level 3 Schematics	Rev. 1.0
Dual Band T720 / T720i 900/1800MHz	P7.4
Ralf Lorenzen-Scheil, Michael Hansen	Page 1 of 3

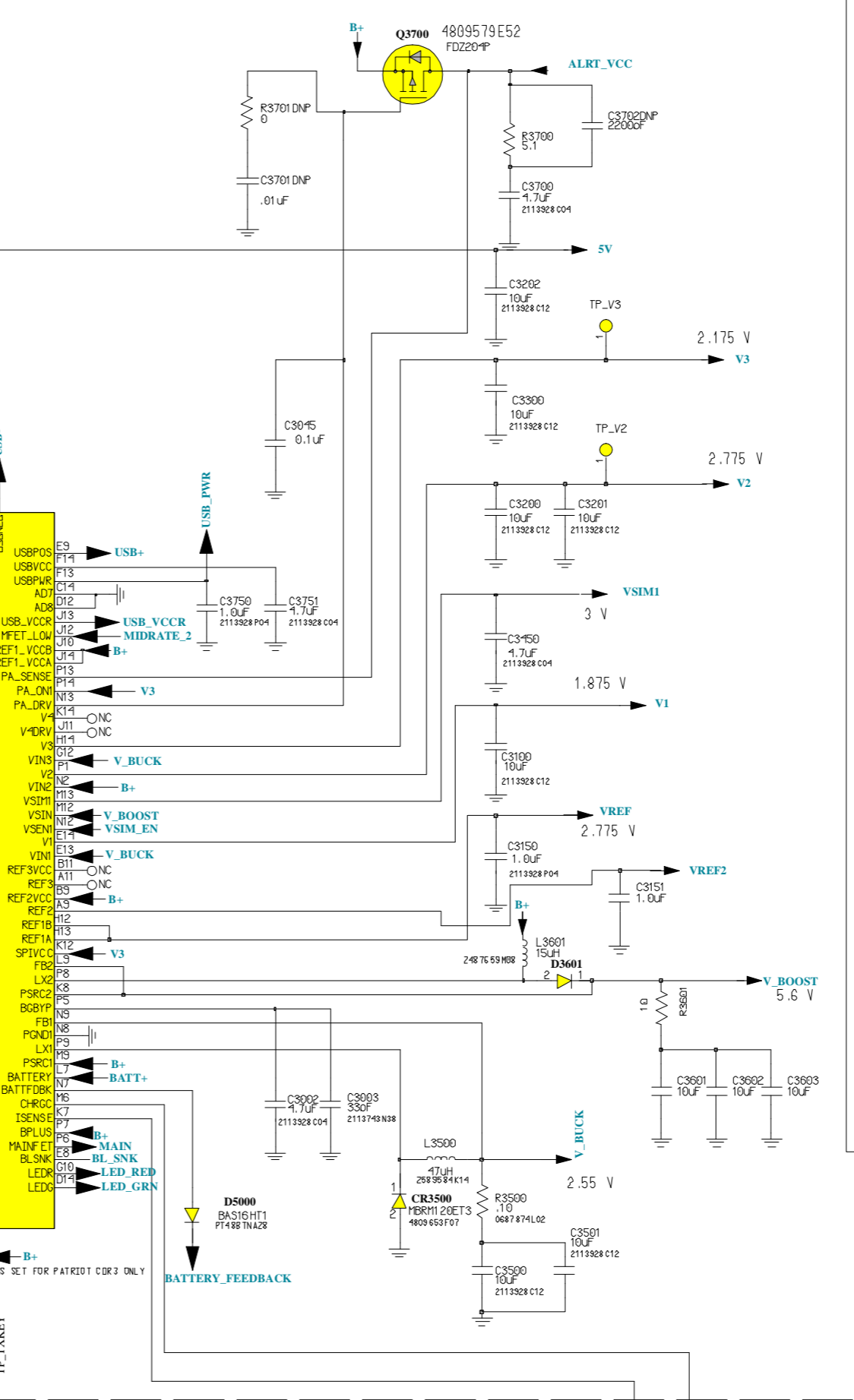
Dual Band T720i/T720j 900/1800MHz 8487770N01 P7.4



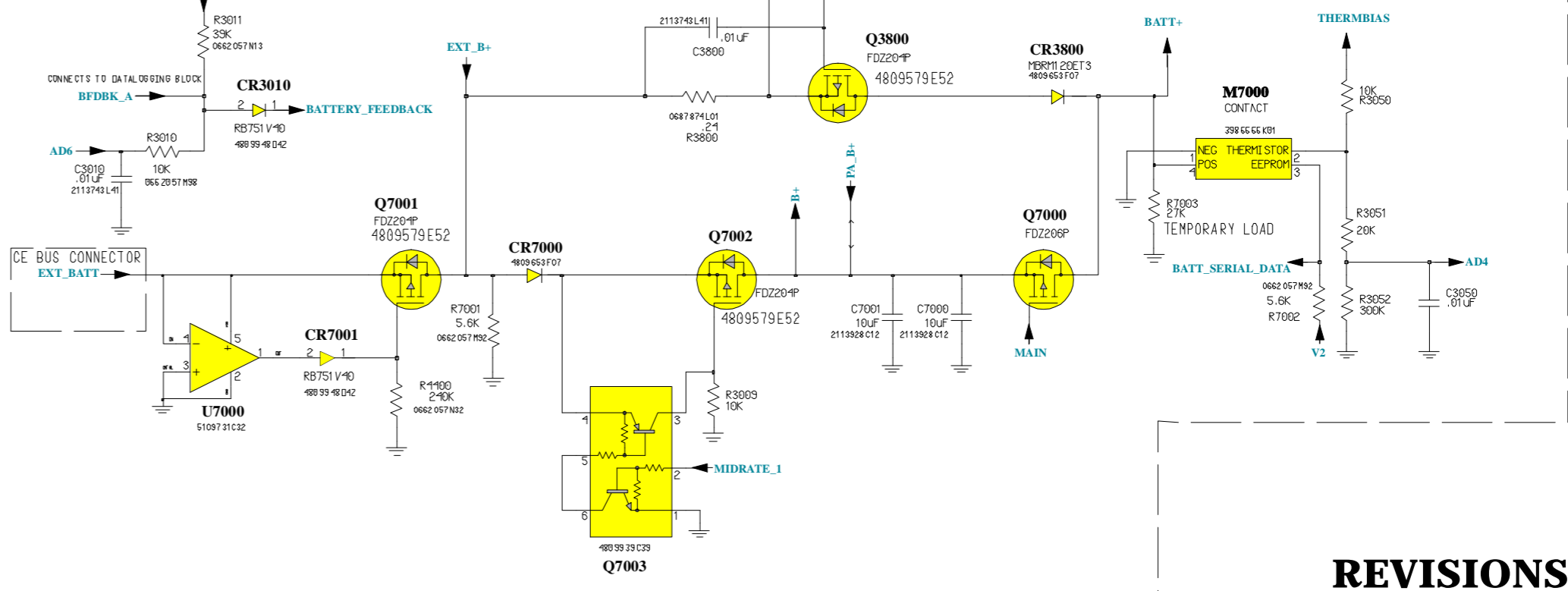
For wing boards replace the short with a 0 ohm res as DNP and control WDOG with jumper



LINEAR VOLTAGE REG AND SWITCHING SUPPLIES



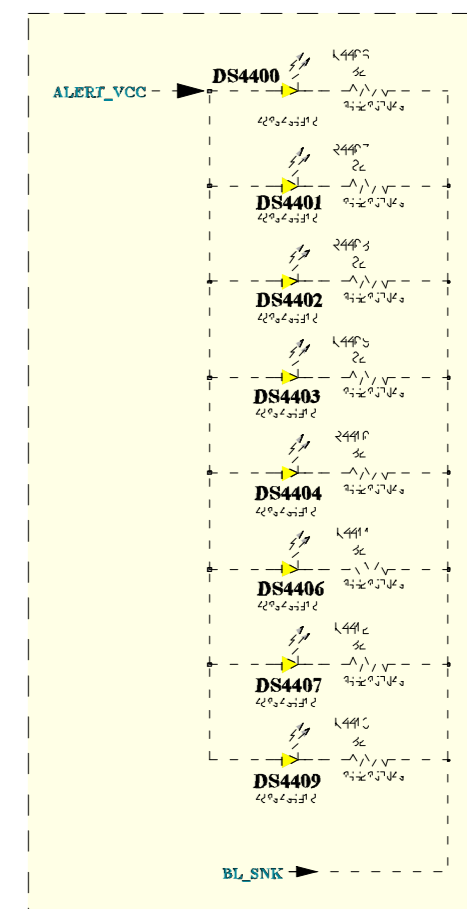
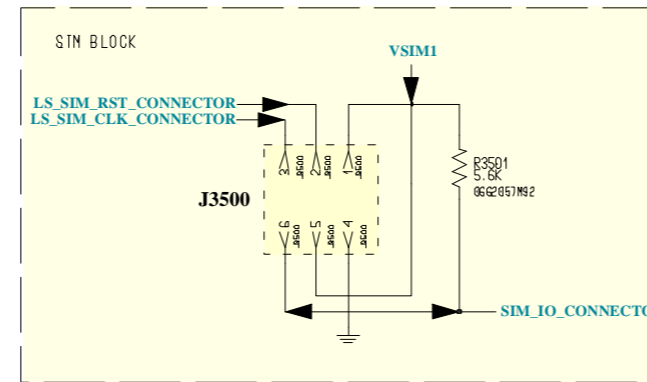
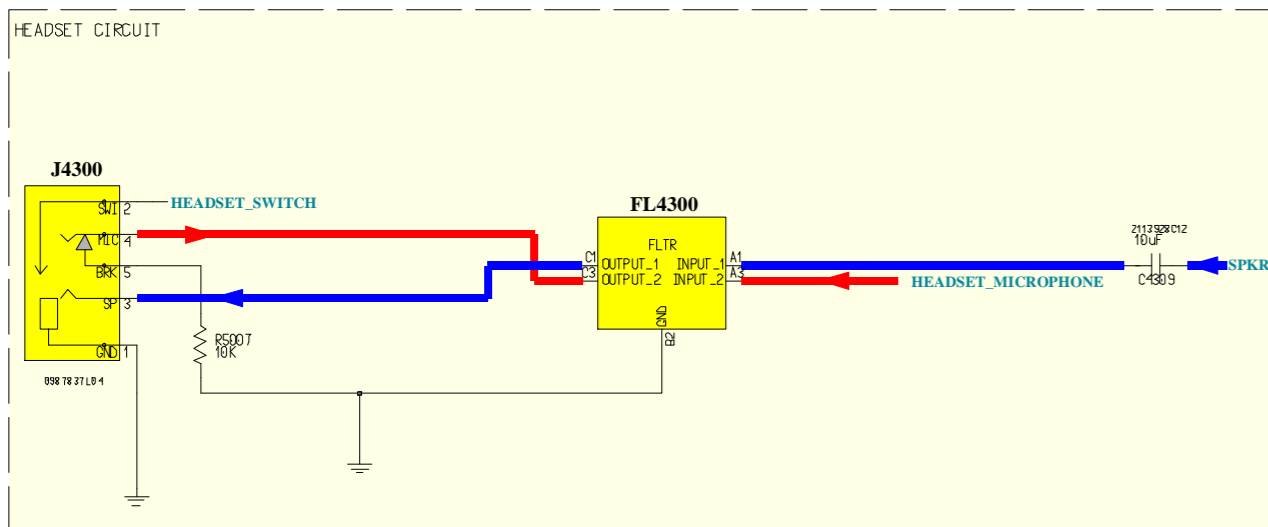
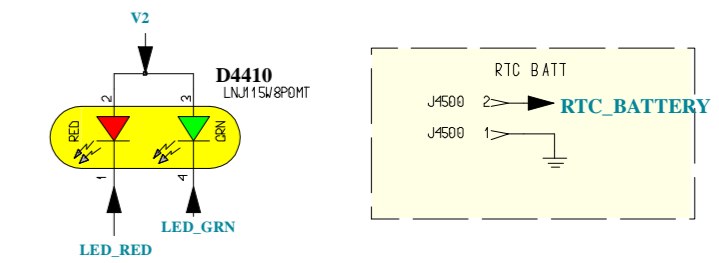
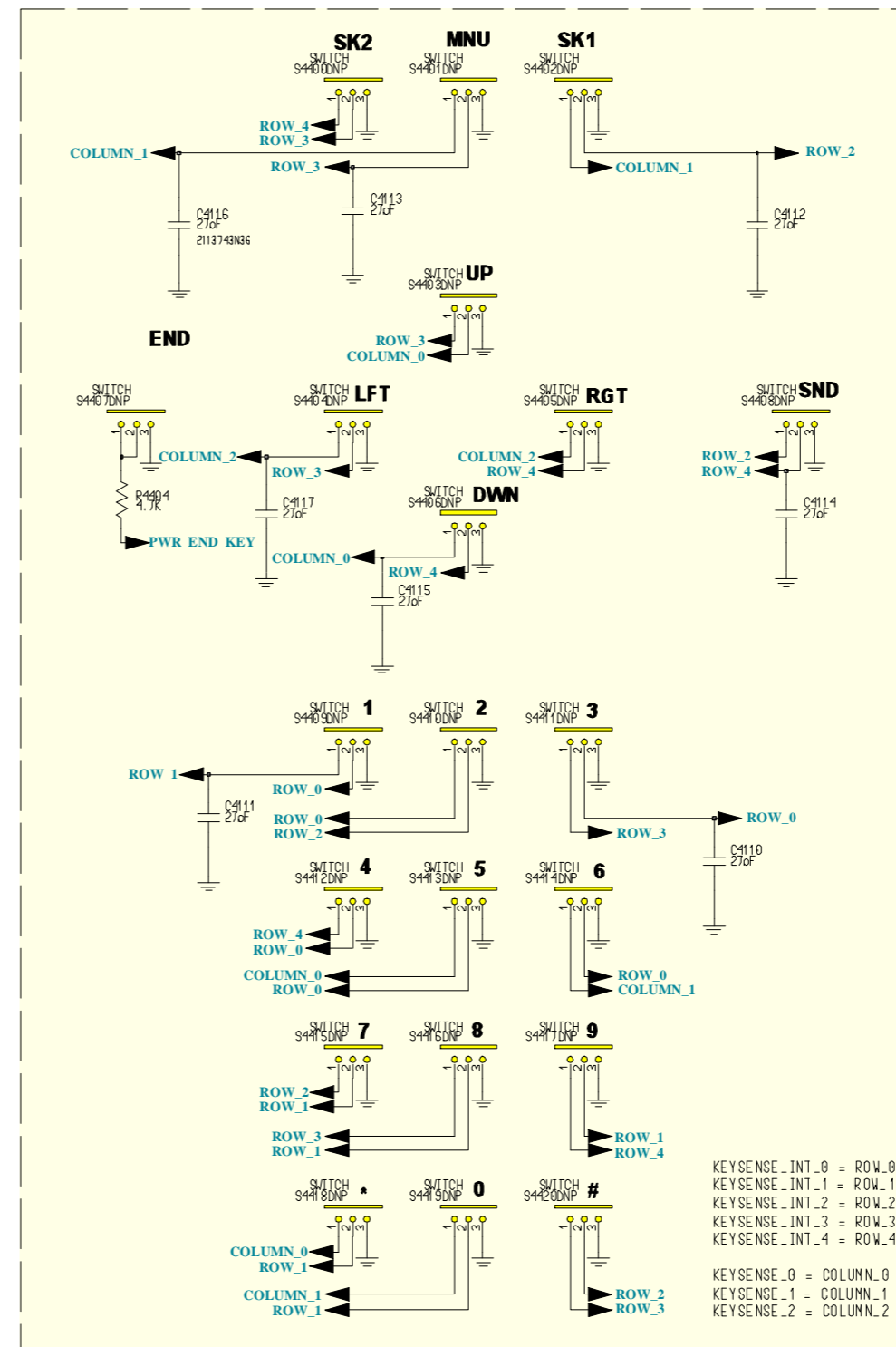
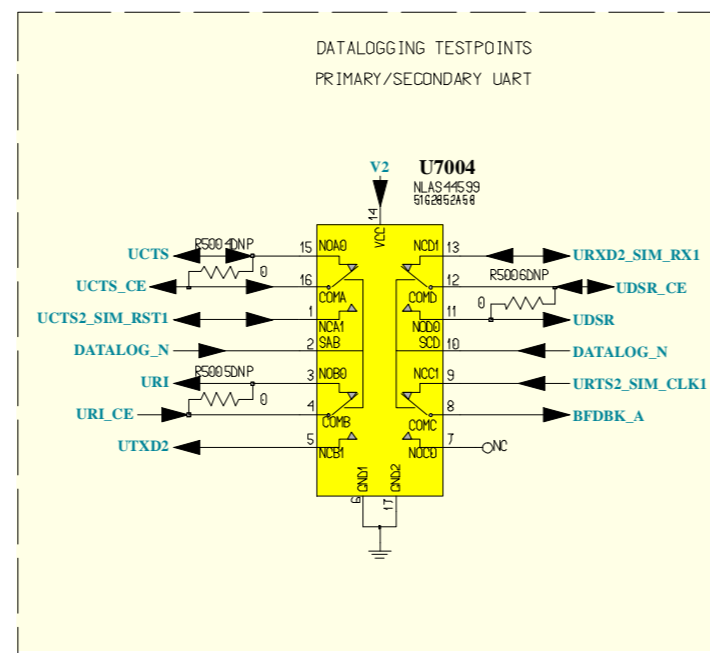
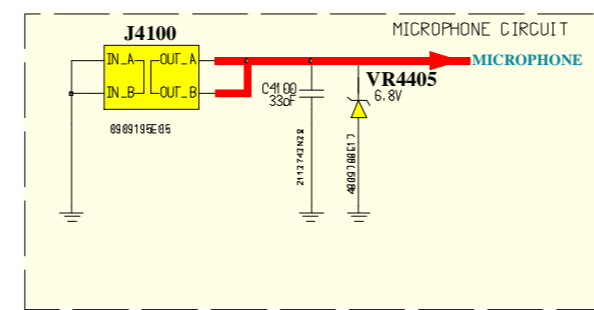
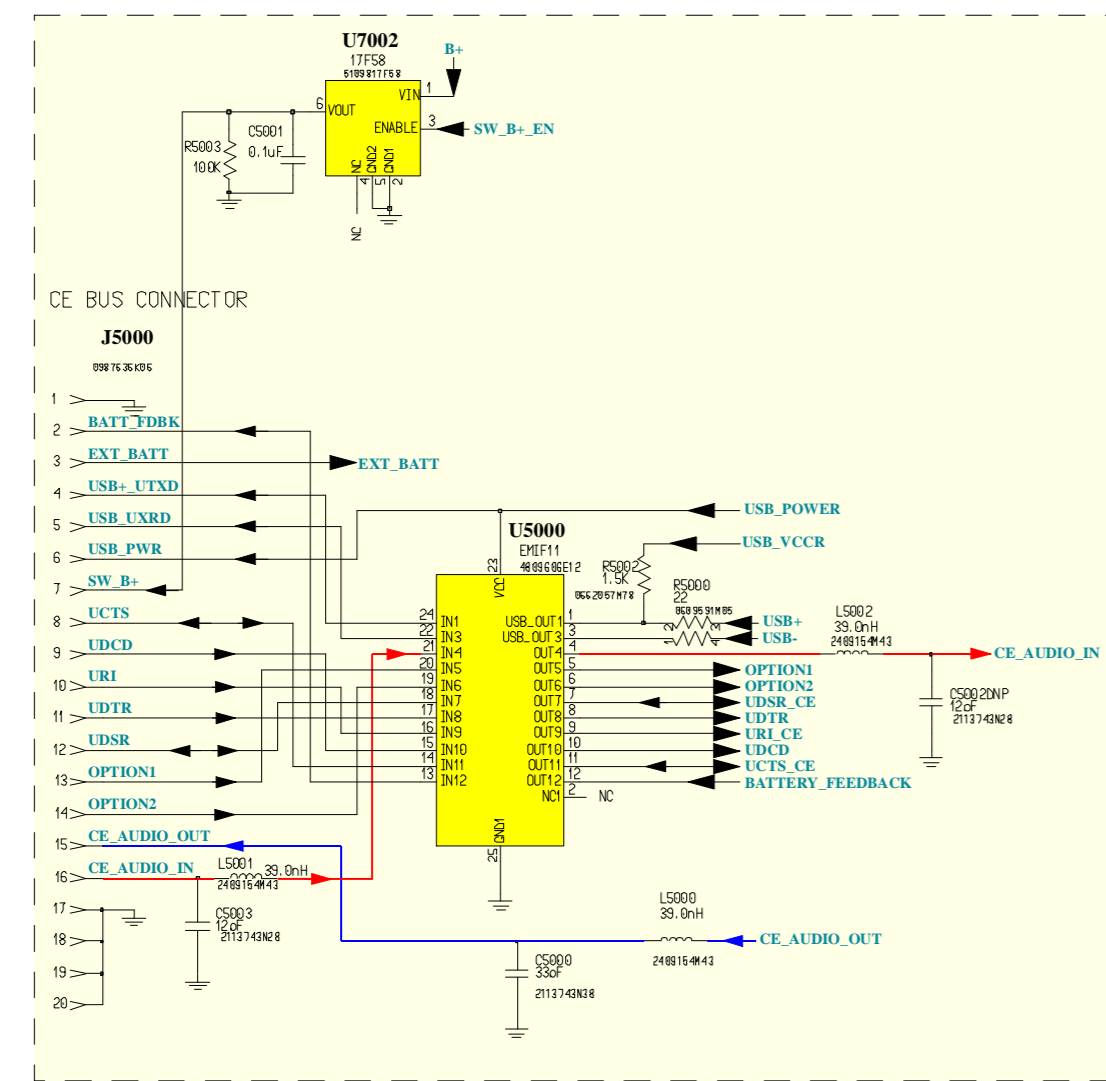
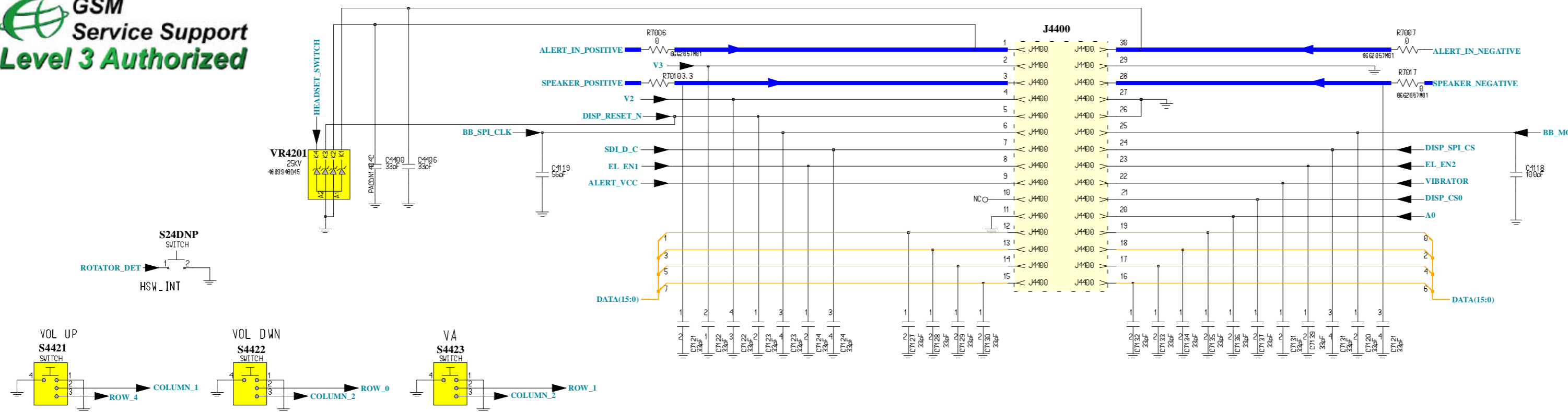
EXTERNAL POWER AND BATTERY CONTROL



- 9-24-01 Added 1 no preload res to V1 R3002DNP
- 9-24-01 Added 1 no pre-load res to V2 R3002DNP
- 9-24-01 Added current sensing res to VBUCK R3013
- 9-24-01 Added current sensing res to VBOOST R3012
- 9-24-01 Removed current sensing res from ALERT_VCC R3004
- 9-24-01 Removed current sensing res from 5V R3005
- 9-24-01 Removed current sensing res from V3 R3006
- 9-24-01 Removed current sensing res from V2 R3007
- 9-24-01 Removed current sensing res from V1 R3008
- 9-24-01 Split C3041 into two caps C3041 and C3043
- 9-24-01 Split C3040 into two caps C3040 and C3042
- 9-24-01 Split C4004 into two caps C4004 and C4005
- 9-24-01 Added D3001 to connect ON_OFF to POWER_END_KEY
- 9-24-01 Change layout LED from 480946B12 to 480946B17 Interface
- 9-24-01 Change LED from 480946B12 to 480946B17 Interface
- 56Check J4100DNP in V_NE J4101 T720 0909195E01 Motorola95E01 Interfaces Interface
- 57Change Ref.Des. U5001 to U5000 Interfaces
- 58Change Ref.Des. U5002 to U5001 Interfaces
- 59Change ref des U7011 U7003 GCAP
- 60Change C3201 from 2113928C04 Cap 4.7uF to 2113928C12 Cap 10uF used by V_NE GCAP
- 61Change C3202 from 2113928C04 Cap 4.7uF to 2113928C12 Cap 10uF used by V_NE GCAP
- 62Change C7001 from 2113928C04 Cap 4.7uF to 2113928C12 Cap 10uF used by V_NE GCAP
- 63Change C4000 from 0662057M98 Res 47k to 0662057M98 Res 240k used by V_NE GCAP
- 64Change C7002 from 0662057M98 Res 4.7k to 0662057M98 Res 5.0k used by V_NE GCAP
- 65Change Ref.Des and part # from C3040 2113743M24 Cap 0.1uF to C4107 2113928N01 Cap 0.1uFGCAP
- 66Change Ref.Des. C3041 to C4106 2113743M24 Cap 0.1uF GCAP
- 67Change Ref.Des. C3042 to C3041 2113743M24 Cap 0.1uF GCAP
- 68Change Ref.Des. C3043 to C3041 2113743M24 Cap 0.1uF GCAP
- 69Change Ref.Des. C3501 to C3502 2113928C12 Cap 10uF GCAP
- 70Change Ref.Des. C3502 to C3501 2113928C12 Cap 10uF GCAP
- 71Change Ref.Des. C3503 to C3502 2113928C12 Cap 10uF GCAP
- 72Change Ref.Des. C3504 to C3503 2113928C12 Cap 10uF GCAP
- 73Change Ref.Des. C3505 to C3504 2113928C12 Cap 10uF GCAP
- 74Change Ref.Des. C3506 to C3505 2113928C12 Cap 10uF GCAP
- 75Change Ref.Des. C3507 to C3506 2113928C12 Cap 10uF GCAP
- 76Change Ref.Des. C3508 to C3507 2113928C12 Cap 10uF GCAP
- 77Change Ref.Des. C3509 to C3508 2113928C12 Cap 10uF GCAP
- 78Change Ref.Des. C3510 to C3509 2113928C12 Cap 10uF GCAP
- 79Change Ref.Des. R925 to R3050 0662057M98 Res 10k GCAP
- 80Change Ref.Des. R926 to R3051 0662057M98 Res 20k GCAP
- 81Change Ref.Des. R927 to R3052 0662057M98 Res 30k GCAP
- 82Change audio Jack J4000 from 0987837L02 to 0987837L04 interfaces
- 83Change V3000 4809955L10 to new improved part 4809955L13 GCAP
- 84Change R7003 R7003DNP
- 85Change audio module temp part number to real one 9188695K03 GCAP
- 86Change L216 temp number to real one 4809525L03 GCAP
- 87Change L4000 temp number to real one 4809525L04 interfaces
- 88Change all 0.1 uF caps with part 2113743M24 to 2113928N01 to use one common part GCAP
- 100*Change components from 2113947A04 to 2113947B05
- 01-17-02 replaced V3000 with new part 4809955L13
- 01-17-02 Reworked pin 4 of 07003 to pin 2 of CR7000
- 01-17-02 Removed R3012 and R3013 and replaced with runner
- 01-17-02 Added R5007 from pin 5 to gnd and eliminated connection to pin 6 of GCAP audio module
- 01-17-02 Replaced CR3010 and CR7001 with dual diode 4809306E05
- 03-05-02 Change AGND to GND for buzz reduction
- 03-05-02 Removed R3002DNP, R3001DNP preload res to GCAP res
- 03-05-02 Added C7003 and L7000 for buzz reduction
- 03-14-02 PG added L1004, R4105, and C4108 for light sensor ckt
- 03-14-02 PG Added L5000 for BUZZ
- 03-14-02 PG Added C4101 and C4104 to MBCAP1 and MBCAP2 pins of GCAP for BUZZ
- 03-14-02 PG Replaced input to VIB reg with ALRT_VCC
- 03-20-03 CHANGED R4402 FROM 43K TO 22K
- 03-21-02 Added C4001, C4002, and C4003 for BUZZ
- 03-22-02 rewired connection to headset speaker, added SPKRM signal
- 04-09-02 Rotated 07003 180 deg. C31 symbol was wrong
- 04-11-02 Changed C4403 to 620k of and C4404 to 330 of to increase bandwidth of poly sokr
- 04-23-02 UPDATED LIGHT SENSOR CKT WITH THE COMPAT108
- 5-9-02 Changed C4403 to 4700 of, C4404 to 820 of, C4401 to DNP, R4402 to 27k, R4403 to 12k
- 5-9-02 Changed L7000 to C7004 0.1 uF
- 5-9-02 Removed C410 DNP
- 5-9-02 Added C3042 and C3043
- 5-14-02 Updated L3601 to 2487659M08
- 5-17-02 Changed R4106 from 10k to 15k and R4108 from 4.7k to 82k R4107 from 100k to 240k
- 5-24-02 Added R5008DNP and D5000 for heat problem
- 5-25-02 CHANGED C7004 TO L7000 47 nH
- 6-5-02 Added E304 for WDOG test susoort
- 6-15-02 Replaced R7004 with R7008 and R7009
- 6-15-02 Replaced C3450 with a 4.7 uF
- 6-17-02 ADDED C3045DNP
- 6-21-02 Added C4006 and C4007 for buzzzzz
- 6-28-02 placed C3045 at PA_DRV pin for noise reduction.
- 6-28-02 add C7002 for buzz.
- 7-9-02 deleted C508dnp
- 7-10-02 Added C3702dnp, r3701dnp to stabilize PA_drive
- 7-15-02 changed C4104 to dnp for buzz
- 7-15-02 changed R7009 to M01 for SIM issue

REVISIONS

GSM SERVICE SUPPORT GROUP		2002.12.09
Level 3 Schematics		Rev. 1.0
Dual Band T720 / T720i 900/1800MHz		P7.4
Ralf Lorenzen-Scheil, Michael Hansen		Page 2 of 3



- 9-24-01 Added datalogging capability U7013
- 9-24-01 Added datalogging capability U7014
- 9-24-01 Added datalogging capability U7015
- 9-24-01 Added datalogging capability U7016
- 9-24-01 Added datalogging capability R5004DNP, R5005DNP and R5006DNP
- 12-18-01 Replaced U5000 and 5001 with single ic 480960E12
- 12-18-01 ADDED C5000 TO PROTECT CE_AUDIO_OUT line after changing CE bus esd ic
- 01-08-02 Deleted DS4408 and DS 4405.
- 01-11-02 pins 1 and 3 along with pins 28 and 30 swapped.
- 01-17-02 replaced display connector with 0987817K04
- 01-17-02 Replaced VR4201 with CAMD 0.65 mm P1488TNA24
- 01-17-02 ADDED C119 TO EL_EN2 LINE
- 01-17-02 removed VR4301 and replaced it with one comp from VR4201
- 01-18-02 Replaced U7013, U7014, U7015, and U7016 with U7004
- 02-07-02 Connected zener from VR4201 to RESET_0
- 03-05-02 Change AGND to on x one GND for buzz reduction
- 03-14-02 P6 removed VR4400 and VR4401
- 03-14-02 Added E103 to separate the HS jack ground
- 03-14-02 Added VR4402, VR4403, VR4404, VR4405, E4402, E4403, E4404, and E4405 for ESD
- 03-22-02 DELETED E_RD SIGNAL TO DISPLAY CONNECTOR, ALSO C1125 WAS DELETED
- 04 - 04 - 02 CHANGED C4400 TO C4400 AND C4406 SINGLE CAPS
- 04-09-02 Replaced L4400 and L4401 with R7006 and R7007
- 04-22-02 Added L5001, L5002, C5002, and C5003 for Buzz
- 04-23-02 E103 deleted: headset jack to have common GND.
- 04-23-02 Replaced R3501 from 5.1 to 5.6 K same as Roden
- 5-9-02 Removed VR4402DNP, VR4403DNP, VR4404DNP, and R4401
- 5-17-02 Replace R4406 to R4413 with 82 ohms 5% 0662057M48
- 5-17-02 Replaced VR4201 to 4809948045
- 6-11-02 Added DISP_RESET_N signal to reset display
- 6-14-02 ADDED C4110DNP,C4111DNP,C4112DNP,C4113DNP,C4114DNP,C4115DNP,C4116DNP,C4117DNP
- 6 - 16 - 02 ADDED C118,C4119
- 6-27-02 Place C4110,C4111,C4112,C4113,C4114,C4115,C4116,C4117 for desense
- 6-28-02 changed c4119 to n44
- 6-28-02 changed R7010 TO 3.3 OHM TO INCREASE RX AUDIO LEVEL.
- 7-11-02 Deleted R4400 and grounded pin 11 instead.
- 7-15-02 changed C5002 to DNP for buzz

Dual Band T720/T720i 900/1800MHz 848770N01 P7.4

REVISIONS

GSM SERVICE SUPPORT GROUP	2002.12.09
Level 3 Schematics	Rev. 1.0
Dual Band T720 / T720i 900/1800MHz	P7.4
Ralf Lorenzen-Scheil, Michael Hansen	Page 3 of 3