

4

3

2

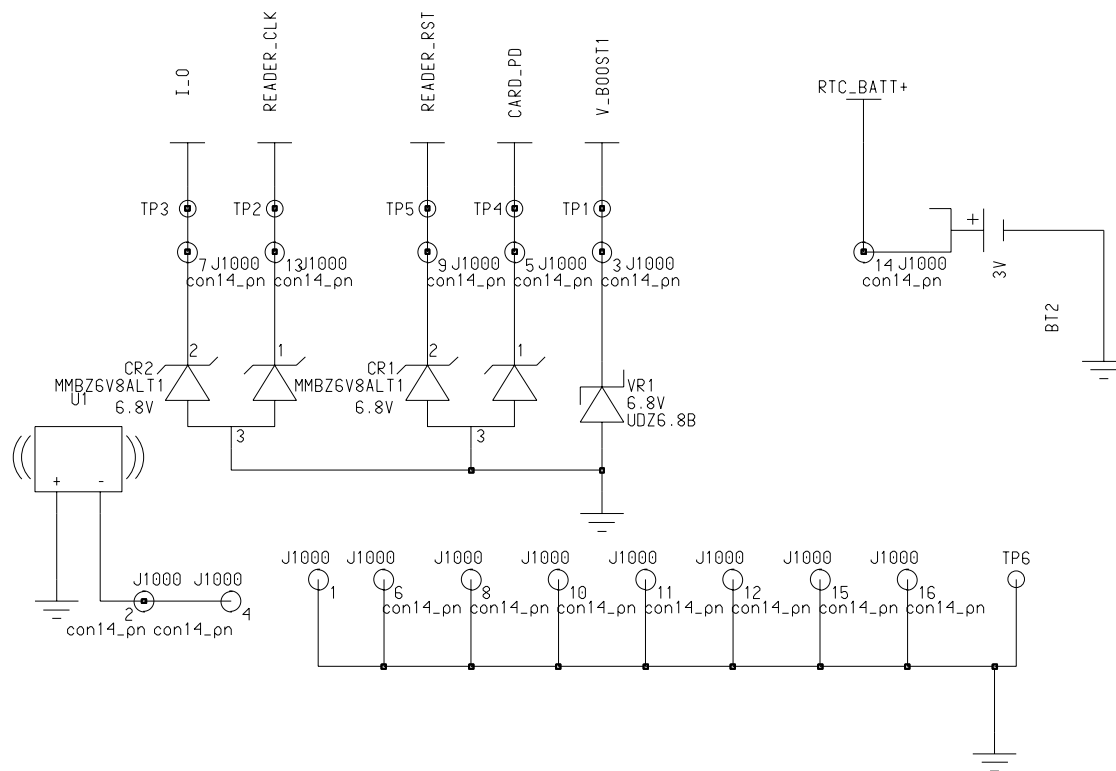
1

Smart Card Interface Board

84D86272P05

SHEET 1

ISS.	COMMENTS	DATE
P5		14/02/2000



ORIGINAL DRAWN BY: HO WING ONN

THE DRAWING ON THIS PRINT AND INFORMATION
THEREWITH ARE PROPRIETARY TO MOTOROLA, INC.
AND SHALL NOT BE USED OR DISCUSSED IN WHOLE
OR INPART WITHOUT MOTOROLA'S CONSENT.

MOTOROLA INC.

CELLULAR SUBSCRIBER GROUP

COPYRIGHT, MOTOROLA INC., 2000
THIS NOTICE DOES NOT IMPLY PUBLICATION

THIS SHEET IS COMPUTER GENERATED

4

3

2

1