

RX275_DCS
RX_GSM_PCS
RVCO_PCS
RVCO_DCS
RX275_GSM
RX275_DPCS
TX_275
TX275_GSM
TX275_DPCS
TX_DCS
FILTERED_-5V

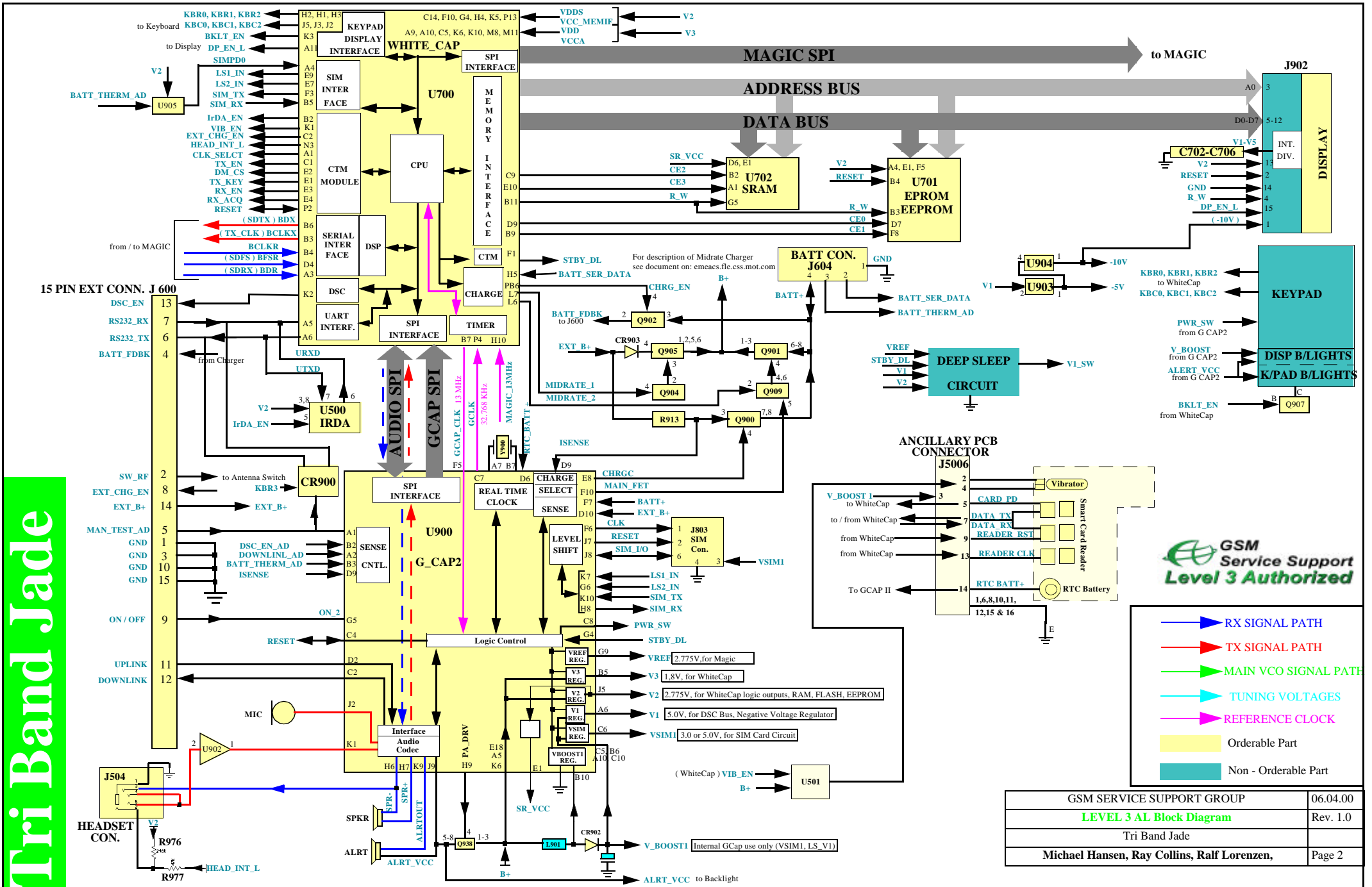
GSM / DPCS SELECT CIRCUIT

For description of GSM / DPCS Select Circuit see document on: emeacs.Ite.ces.mot.com

GSM SERVICE SUPPORT GROUP	06.04.00
LEVEL 3 RF Block Diagram	Rev. 1.0
Tri Band Jade	
Michael Hansen, Ray Collins, Ralf Lorenzen,	Page 1

	RX SIGNAL PATH		REFERENCE CLOCK
	TX SIGNAL PATH		Orderable Part
	MAIN VCO SIGNAL PATH		Non - Orderable Part
	TUNING VOLTAGES		

Tri Band Jade



GSM SERVICE SUPPORT GROUP	06.04.00
LEVEL 3 AL Block Diagram	Rev. 1.0
Tri Band Jade	
Michael Hansen, Ray Collins, Ralf Lorenzen,	Page 2

