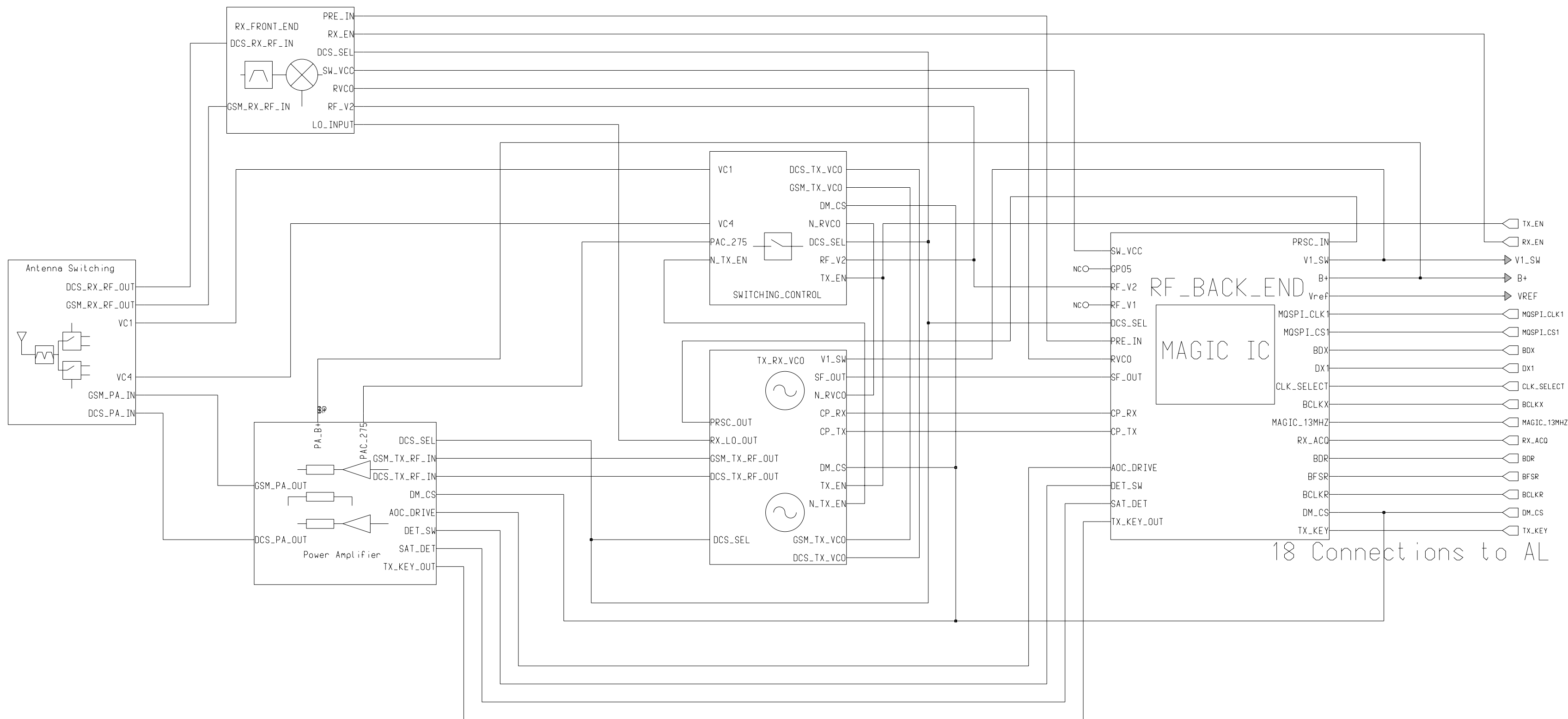


BARRACUDA TRANSCEIVER



18 Connections to AL

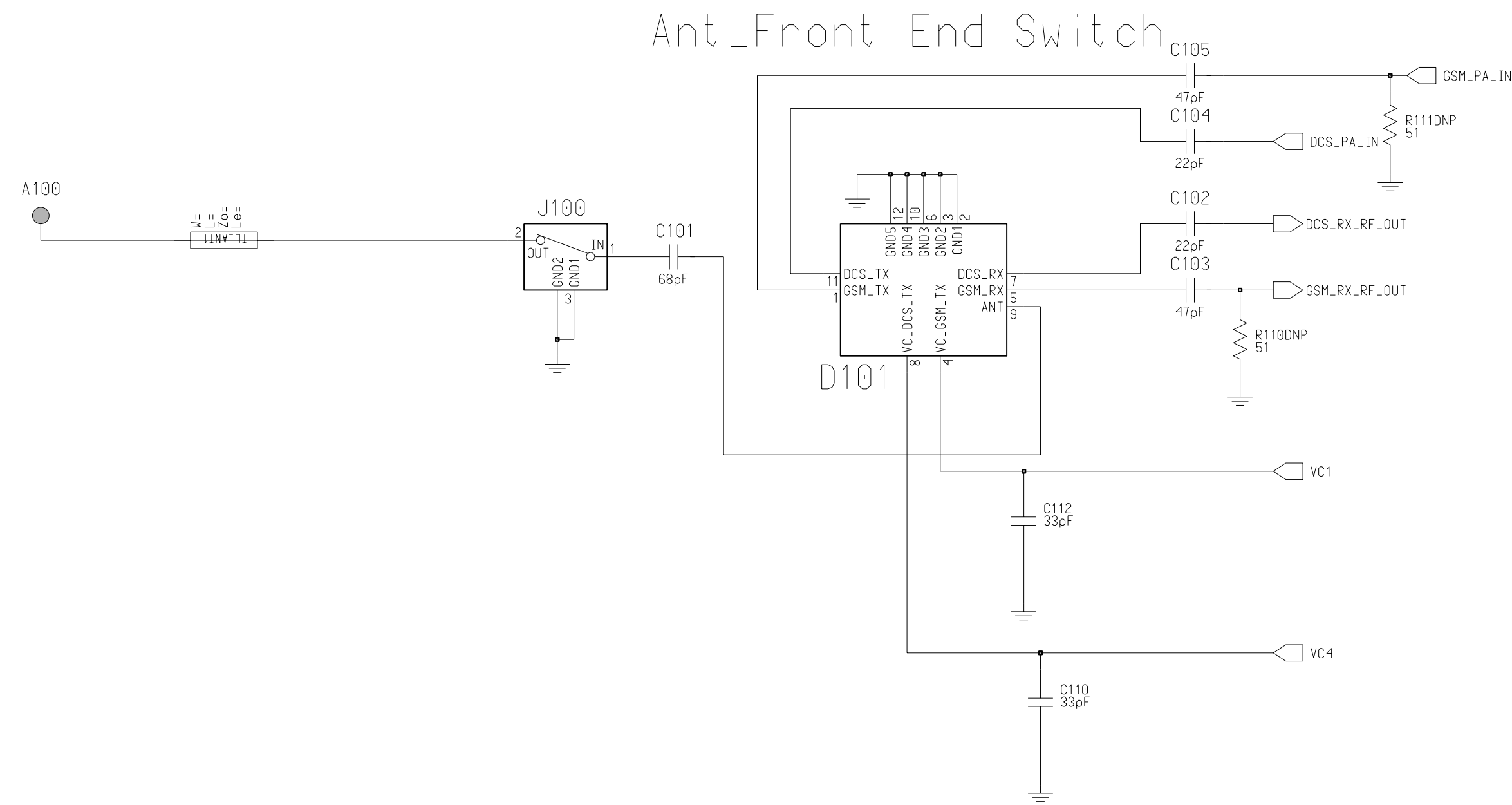
REV	COMMENTS	DATE
	BARRACUDA GSM 84D86506P SHEET 1(RF MAIN)	
P1	PROTOTYPE RELEASE	26/06/2000
P2	PROTOTYPE RELEASE	30/08/2000
P3	PROTOTYPE RELEASE	09/10/2000
P4	Uprev from p3.3	06 Jan 2001
P4.1	Delete VC2 & VC3.	19/01/2001
P5	PROTOTYPE RELEASE	27/02/2001
P5.3	Uprev from P5	23/02/2001

ORIGINAL DRAWN BY: SM Sow

THE DRAWING ON THIS PRINT AND INFORMATION THEREWITH ARE PROPRIETARY TO MOTOROLA, INC. AND SHALL NOT BE USED OR DISCUSSED IN WHOLE OR INPART WITHOUT MOTOROLA'S CONSENT.

MOTOROLA INC.
CELLULAR SUBSCRIBER GROUP
COPYRIGHT MOTOROLA INC., 1997
THIS NOTICE DOES NOT IMPLY PUBLICATION

ANTENNA AND SWITCHING



REFERENCE	PCS	GSM
D101	5102834Y83	PER SCHEMATIC
R110DNP	CHANGE TO R110	PER SCHEMATIC
R111DNP	CHANGE TO R111	PER SCHEMATIC

REV	COMMENTS	DATE
	BARRACUDA GSM 84DxxxxTxx SHEET 1(ANTENNA)	
P1	PROTOTYPE RELEASE	08/05/2000
P2	PROTOTYPE RELEASE	16/08/2000
P3	PROTOTYPE RELEASE	09/10/2000
P4	Uprev From p3.3 Changed C111& C113 from 100pF to 33pF	06 Jan 2001
P4.1	D101 changed to pt48pngA40 Delete VC2 & VC4.,R975	19 Jan 2001
P5	Remove L100,L101. R101 Move R110_PCS to the R side of C103_GSM	28 Feb 2001
P5.3	PROTOTYPE RELEASE	23 Mar 2001

ORIGINAL DRAWN BY: SM Sow

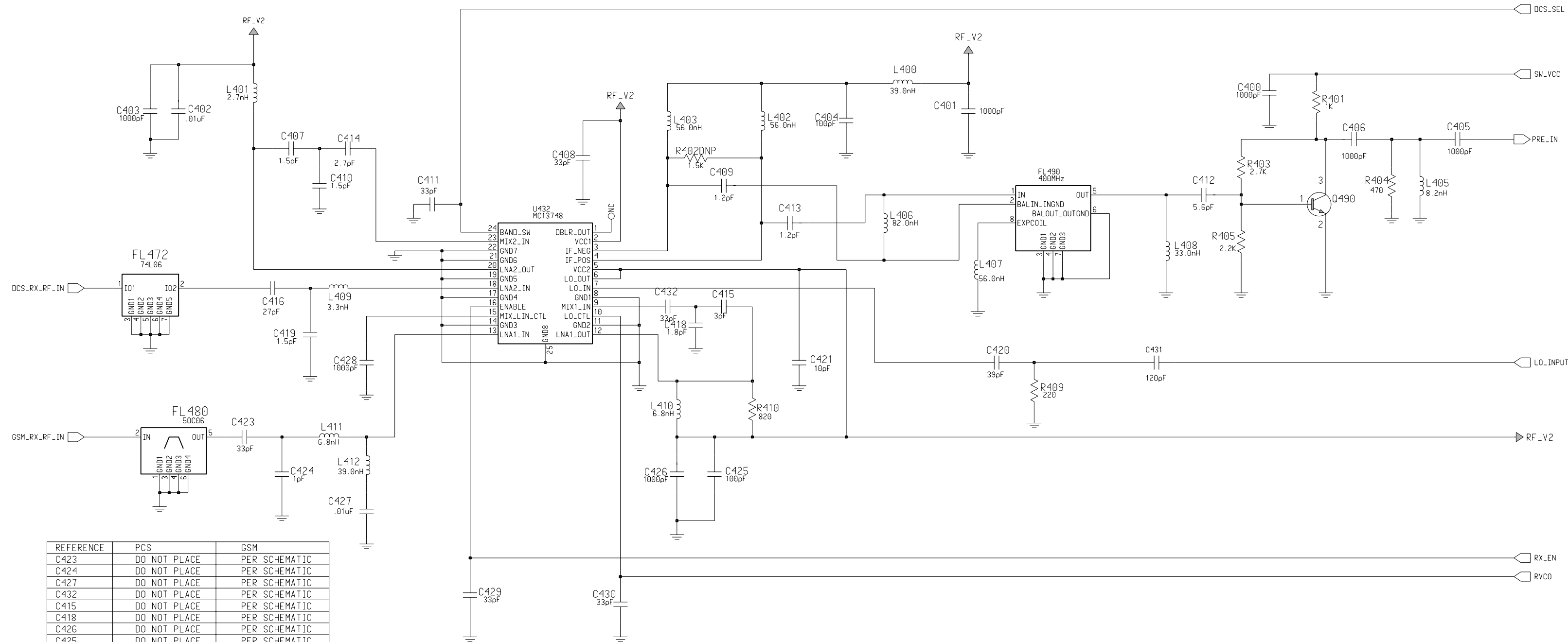
THE DRAWING ON THIS PRINT AND INFORMATION
THEREWITH ARE PROPRIETARY TO MOTOROLA, INC.
AND SHALL NOT BE USED OR DISCUSSED IN WHOLE
OR INPART WITHOUT MOTOROLA'S CONSENT.

MOTOROLA INC.

CELLULAR SUBSCRIBER GROUP

COPYRIGHT, MOTOROLA INC., 1997
THIS NOTICE DOES NOT IMPLY PUBLICATION

RX FRONT END



REFERENCE	PCS	GSM
C423	DO NOT PLACE	PER SCHEMATIC
C424	DO NOT PLACE	PER SCHEMATIC
C427	DO NOT PLACE	PER SCHEMATIC
C432	DO NOT PLACE	PER SCHEMATIC
C415	DO NOT PLACE	PER SCHEMATIC
C418	DO NOT PLACE	PER SCHEMATIC
C426	DO NOT PLACE	PER SCHEMATIC
C425	DO NOT PLACE	PER SCHEMATIC
L411	DO NOT PLACE	PER SCHEMATIC
L412	DO NOT PLACE	PER SCHEMATIC
L410	DO NOT PLACE	PER SCHEMATIC
R402	DO NOT PLACE	PER SCHEMATIC
R410	DO NOT PLACE	PER SCHEMATIC
FL480	DO NOT PLACE	PER SCHEMATIC
FL472	9109574L10	PER SCHEMATIC
C407	211374N03	PER SCHEMATIC
C410	211374N69	PER SCHEMATIC
C414	211374N36	PER SCHEMATIC

REV	COMMENTS	DATE
P1	PROTOTYPE RELEASE	08/05/2000
P2	PROTOTYPE RELEASE	12/09/2000
P3	PROTOTYPE RELEASE	09/10/2000
P3.3	Changed L409 from 3.3nH to 1.5nH Changed C410 from 1.5pF to 2pF Changed L404 to C433, 2pF Changed C412 from 15pF to 5.6pF Changed L408 from 27nH to 33nH	
P4	Changed C412 from 8pF to 5.1pF	06 Jan 2001
P4.1	Changed Q490 to 4809527E41.	05Feb 01
P5.3	Changed L433 to C414 (2.7p)	22 Mar 01

ORIGINAL DRAWN BY: SM Sow

THE DRAWING ON THIS PRINT AND INFORMATION THEREWITH ARE PROPRIETARY TO MOTOROLA, INC AND SHALL NOT BE USED OR DISCUSSED IN WHOLE OR INPART WITHOUT MOTOROLA'S CONSENT.

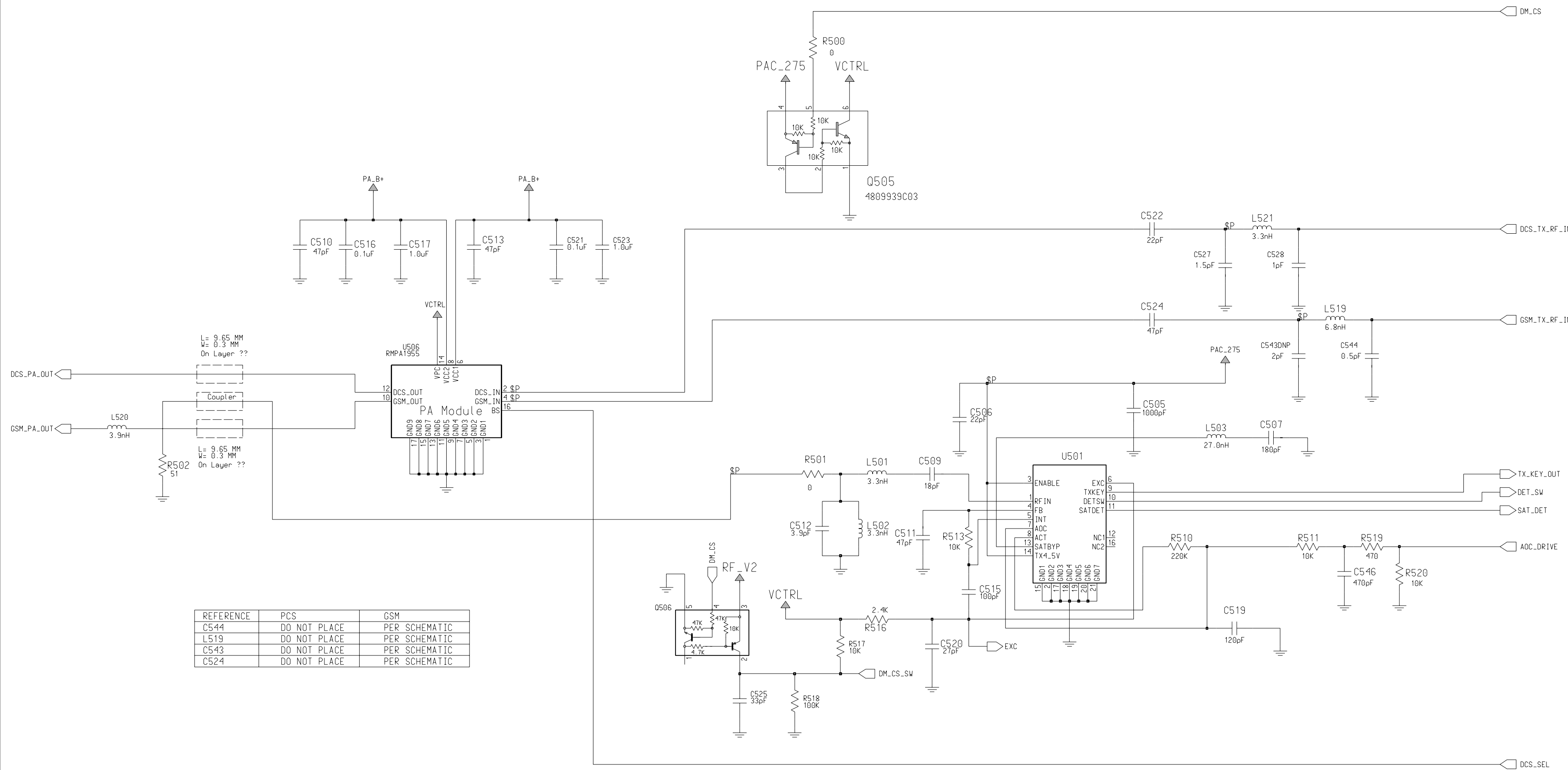
MOTOROLA INC.

CELLULAR SUBSCRIBER GROUP

COPYRIGHT, MOTOROLA INC., 1997

THIS NOTICE DOES NOT IMPLY PUBLICATION

TX POWER AMPLIFIER



REFERENCE	PCS	GSM
C544	DO NOT PLACE	PER SCHEMATIC
L519	DO NOT PLACE	PER SCHEMATIC
C543	DO NOT PLACE	PER SCHEMATIC
C524	DO NOT PLACE	PER SCHEMATIC

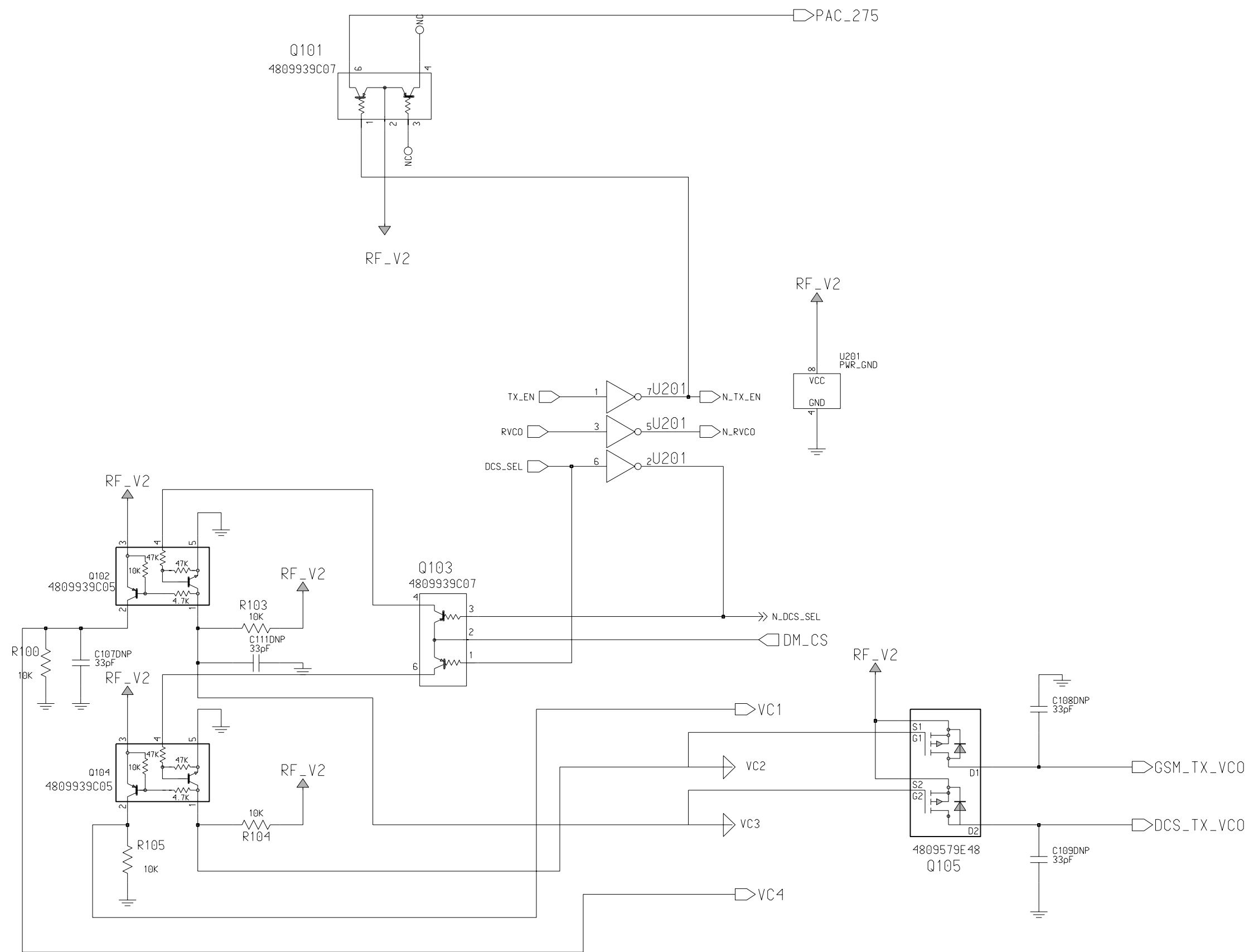
BARRACUDA GSM 84D86506P01 SHEET 1(Power Amplifier)		
REV	COMMENTS	DATE
P1	PROTOTYPE RELEASE	08/05/2000
P2	PROTOTYPE RELEASE	12/09/2000
P3	PROTOTYPE RELEASE	09/10/2000
P3.3	Added Q506, C525 & R518 Added L504 & C545 Deleted L504 & C545	07/12/2000 15/12/2000 20/12/2000
P4	Added R519, R520 & C546	
P4.1	Added C526, C527, L520 & L521. Changed C518 to DNP, R510 to 0662057N31, C519 to 2113743L01, U501 to Added L520. Added Q500, R521, R522, R523, C526. Deleted R975	17/01/2001
P5	Added L521, C527, C528 Deleted R521, R522, D500, C526	26/02/2001
P5.3	C508 changed to R501 0 ohms C512 change to 3.9pF C509 changed to 18pF C525 changed to 33pF C519 changed to 120pF C546 changed to 470pF C527 changed to 1.5pF L521 changed to 3.3nH C528 changed to 1pF C543 changed to C543DNP L519 changed to 6.8nH C544 changed to 0.5pF	07/03/2001
P5.3	PROTOTYPE RELEASE	23/03/2001

ORIGINAL DRAWN BY: SM Sow
THE DRAWING ON THIS PRINT AND INFORMATION THEREWITH ARE PROPRIETARY TO MOTOROLA, INC. AND SHALL NOT BE USED OR DISCUSSED IN WHOLE OR INPART WITHOUT MOTOROLA'S CONSENT.

MOTOROLA INC.
CELLULAR SUBSCRIBER GROUP
COPYRIGHT, MOTOROLA INC., 1997
THIS NOTICE DOES NOT IMPLY PUBLICATION

SWITCHING CONTROL

	GSM Rx	GSM Tx	DCS Rx	DCS Tx	PCS Rx	PCS Tx
DCS_SEL	0	0	1	1	1	1
DMCS	0	1	0	1	0	1
N_DCS_SEL	1	1	0	0	0	0
Vc1	0	1	0	0	0	0
Vc2	1	0	1	1	1	1
Vc3	1	1	1	0	1	0
Vc4	0	0	0	1	0	1
DCS_TX_VCO	0	0	0	1	0	1
GSM_TX_VCO	0	1	0	0	0	0

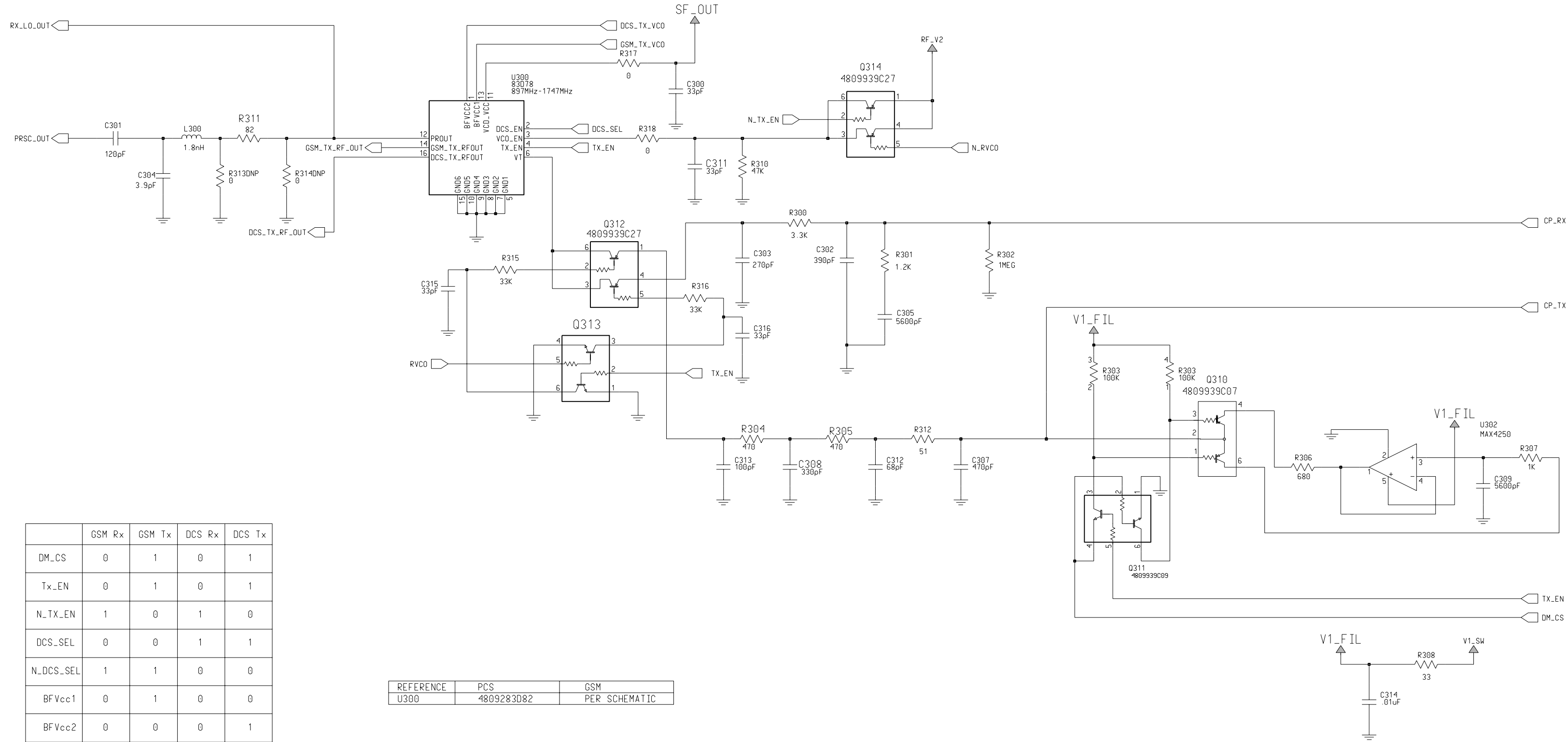


BARRACUDA GSM 84086506P01 SHEET 1(SWITCHING CONTROL)		
REV	COMMENTS	DATE
P1	PROTOTYPE RELEASE	08/05/2000
P2	PROTOTYPE RELEASE	02/09/2000
P3	PROTOTYPE RELEASE	09/10/2000
P4.1	Changed U201 to 5109522E10. Delete signal VC2 & VC3. Changed U201 to 5162852A64.	17/01/2001 19/01/2001 02/02/2001
P5	Added C107DNP, C108DNP C109DNP and C111DNP	27/02/2001
P5.3	PROTOTYPE RELEASE	23/03/2001

ORIGINAL DRAWN BY: SM Sow
 THE DRAWING ON THIS PRINT AND INFORMATION
 THEREWITH ARE PROPRIETARY TO MOTOROLA, INC.
 AND SHALL NOT BE USED OR DISCUSSED IN WHOLE
 OR INPART WITHOUT MOTOROLA'S CONSENT.

MOTOROLA INC.
 CELLULAR SUBSCRIBER GROUP
 COPYRIGHT, MOTOROLA INC., 1997
 THIS NOTICE DOES NOT IMPLY PUBLICATION

TX AND RX VCO



	GSM Rx	GSM Tx	DCS Rx	DCS Tx
DM_CS	0	1	0	1
Tx_EN	0	1	0	1
N_TX_EN	1	0	1	0
DCS_SEL	0	0	1	1
N_DCS_SEL	1	1	0	0
BFVcc1	0	1	0	0
BFVcc2	0	0	0	1

REFERENCE	PCS	GSM
U300	4809283D82	PER SCHEMATIC

BARRACUDA REV P1 84DxxxxTx SHEET 1(RF RX and TX VCO)		
REV	COMMENTS	DATE
P1	PROTOTYPE RELEASE	08/05/2000
P2	PROTOTYPE RELEASE	02/09/2000
P3	PROTOTYPE RELEASE	09/10/2000
P3.3	Changed R313 from 47K to 33K Changed R314 from 47K to 33K Changed C311 from 0.1uF to 47pF Added R310 Added Q313	07/12/2000 15/12/2000
P4	Added R317 & R318 Changed C300 & C311 from 47pF to 33pF Changed C304 from 5pF to 3.9pF Changed R311 from 100 to 82	
P4.1	Added R319, R314DNP deleted Deleted R976, D903, R977, R314DNP.	
P5	Added C315, C316, R314DNP U302 changed to 5109731C29	
P5.3	PROTOTYPE RELEASE	23/03/2001

ORIGINAL DRAWN BY: SM Sow
THE DRAWING ON THIS PRINT AND INFORMATION THEREWITH ARE PROPRIETARY TO MOTOROLA, INC AND SHALL NOT BE USED OR DISCUSSED IN WHOLE OR IN PART WITHOUT MOTOROLA'S CONSENT.

MOTOROLA INC.
CELLULAR SUBSCRIBER GROUP
COPYRIGHT, MOTOROLA INC., 1997
THIS NOTICE DOES NOT IMPLY PUBLICATION

