

Supports:  
 VCC for GSM 1800 LNA - 13  
 VCC for OPLL & Phase detector - 15  
 VCC for IQ Modulator - 23  
 VCC for BaseBand - 46  
 VCC for RF Local Buffer & Divider - 47  
 VCC for Direct Conversion Mixers - 51

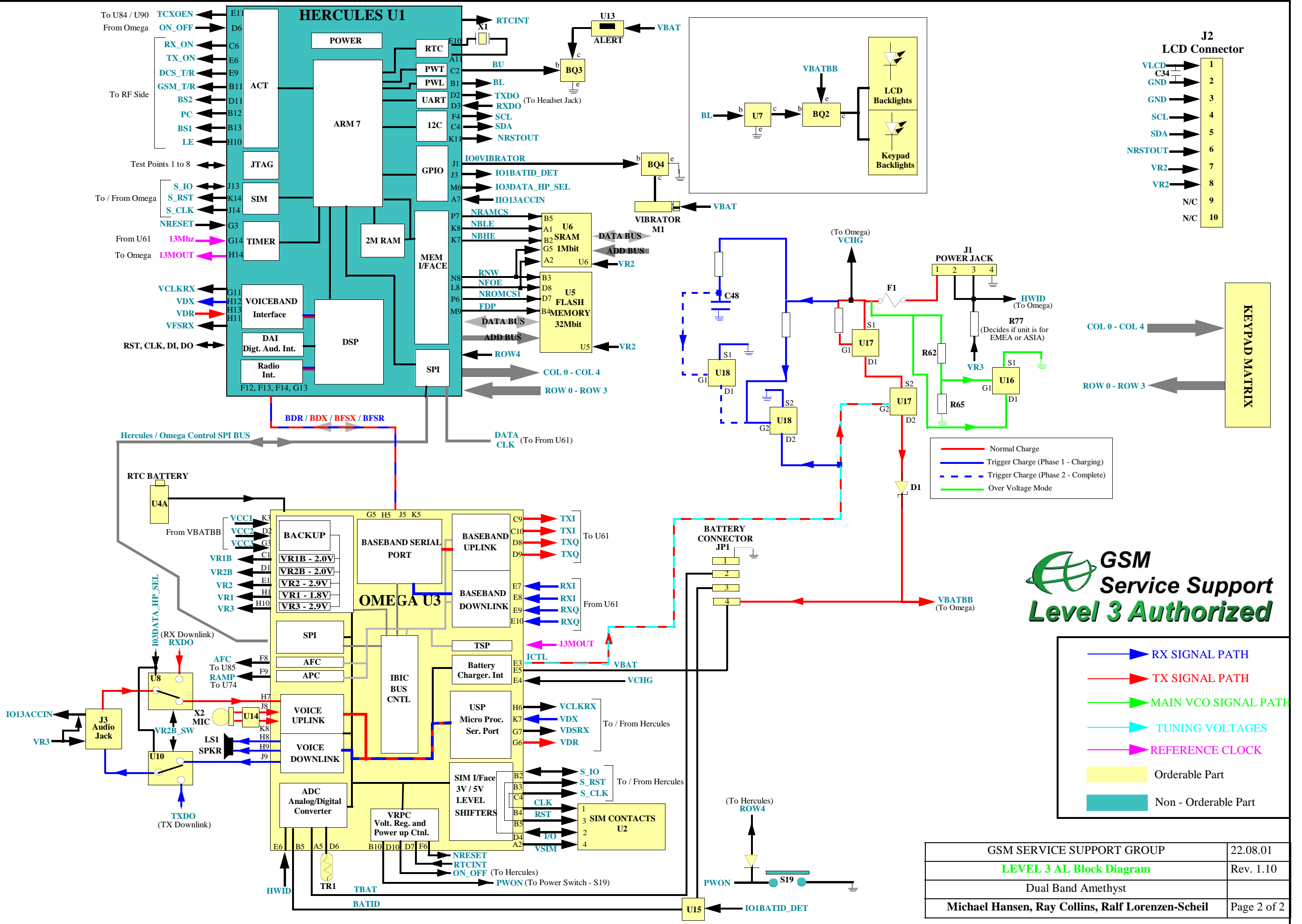
Supports:  
 VCC for IFVCO & Divider  
 VCC for IF Synth & TCXO Divider (13Mhz)  
 VCC for RF Synth & TCXO I/P Buffer (13Mhz)

|  |  |
|--|--|
| <b>EGSM RX</b><br>Low Channel - 975 = 925.2Mhz<br>Mid Channel - 37 = 942.4Mhz<br>High Channel - 124 = 959.8Mhz   | <b>GSM 1800 RX</b><br>Low Channel - 512 = 1805.2Mhz<br>Mid Channel - 700 = 1842.8Mhz<br>High Channel - 885 = 1789.8Mhz |
| <b>EGSM TX</b><br>Low Channel - 975 = 880.2Mhz<br>Mid Channel - 37 = 897.4.4Mhz<br>High Channel - 124 = 914.8Mhz | <b>GSM 1800 TX</b><br>Low Channel - 512 = 1710.2Mhz<br>Mid Channel - 700 = 1747.8Mhz<br>High Channel - 885 = 1784.8Mhz |

|   |             |
|---|-------------|
| GSM SERVICE SUPPORT GROUP                         | 22.08.01    |
| <b>LEVEL 3 RF Block Diagram</b>                   | Rev. 1.10   |
| Dual Band Amethyst                                |             |
| Michael Hansen, Ray Collins, Ralf Lorenzen-Scheil | Page 1 of 2 |

|  |                      |  |                      |
|--|----------------------|--|----------------------|
|  | RX SIGNAL PATH       |  | REFERENCE CLOCK      |
|  | TX SIGNAL PATH       |  | Orderable Part       |
|  | MAIN VCO SIGNAL PATH |  | Non - Orderable Part |
|  | TUNING VOLTAGES      |  |                      |

# Dual Band T191



**GSM Service Support Level 3 Authorized**

|   |             |
|---|-------------|
| GSM SERVICE SUPPORT GROUP                         | 22.08.01    |
| <b>LEVEL 3 AL Block Diagram</b>                   | Rev. 1.10   |
| Dual Band Amethyst                                |             |
| Michael Hansen, Ray Collins, Ralf Lorenzen-Scheil | Page 2 of 2 |