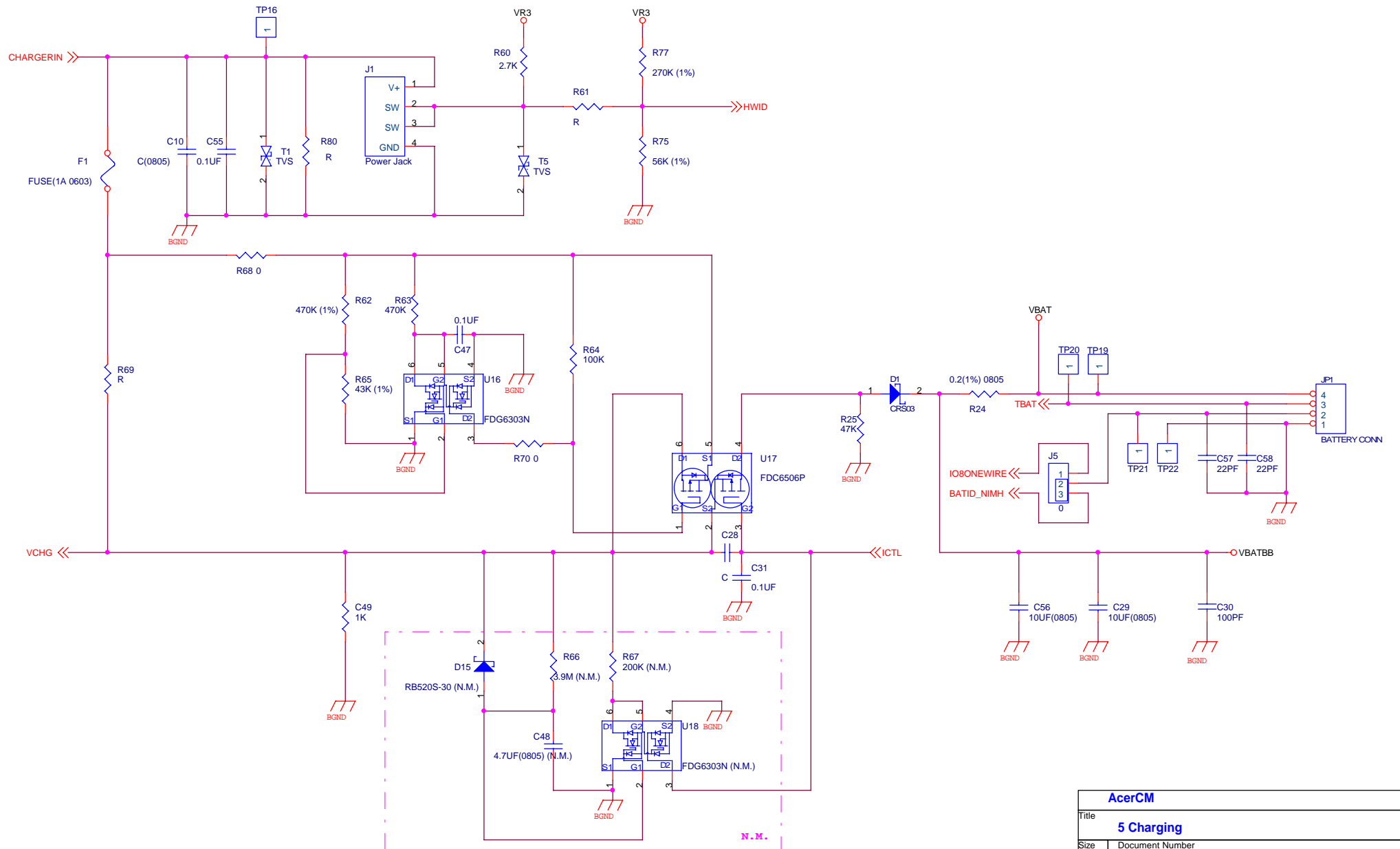


External test points

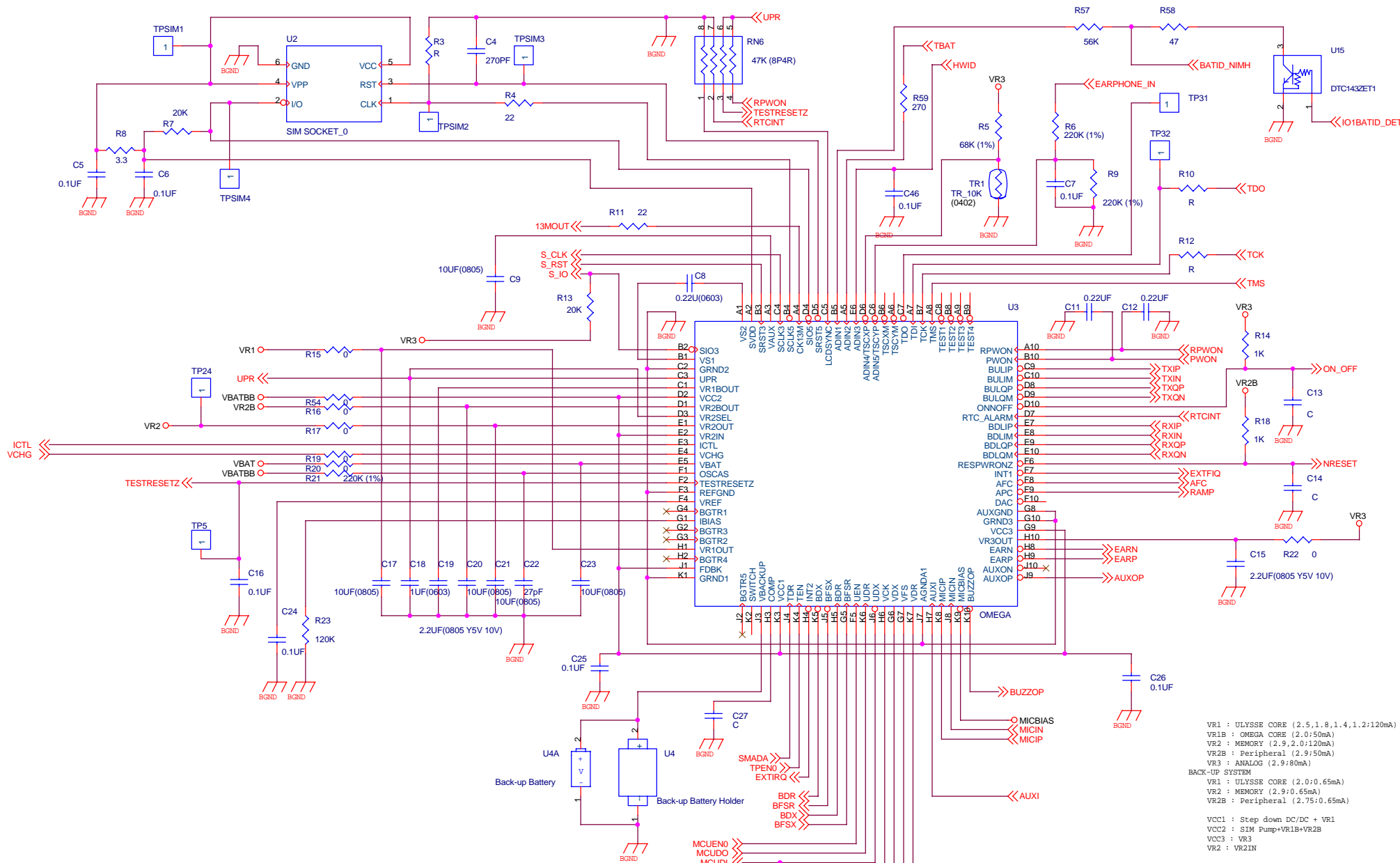
| | | |
|------|---|---------|
| TP1 | 1 | >>>TDO |
| TP2 | 1 | >>>TDI |
| TP3 | 1 | >>>TCK |
| TP4 | 1 | >>>TMS |
| TP9 | 1 | >>>TXD0 |
| TP10 | 1 | >>>RXD0 |
| TP7 | 1 | >>>TXD1 |
| TP8 | 1 | >>>RXD1 |

VR1 (1.8V) ==>VDD, VDDARM, VDDLMM
 VR2 (2.9V) ==>VDDS1
 VR2B (2.9V) ==>VDDS2
 VR3 (2.9V) ==>VDDA1

| | | |
|-----------------|----------------------------|--------------|
| AcerCM | | |
| Title | | |
| 1 HERCROM20_C05 | | |
| Size | Document Number | Rev |
| A3 | D72/ MARCH_TIV41L | 1.0 |
| Date: | Friday, September 28, 2001 | Sheet 1 of 5 |

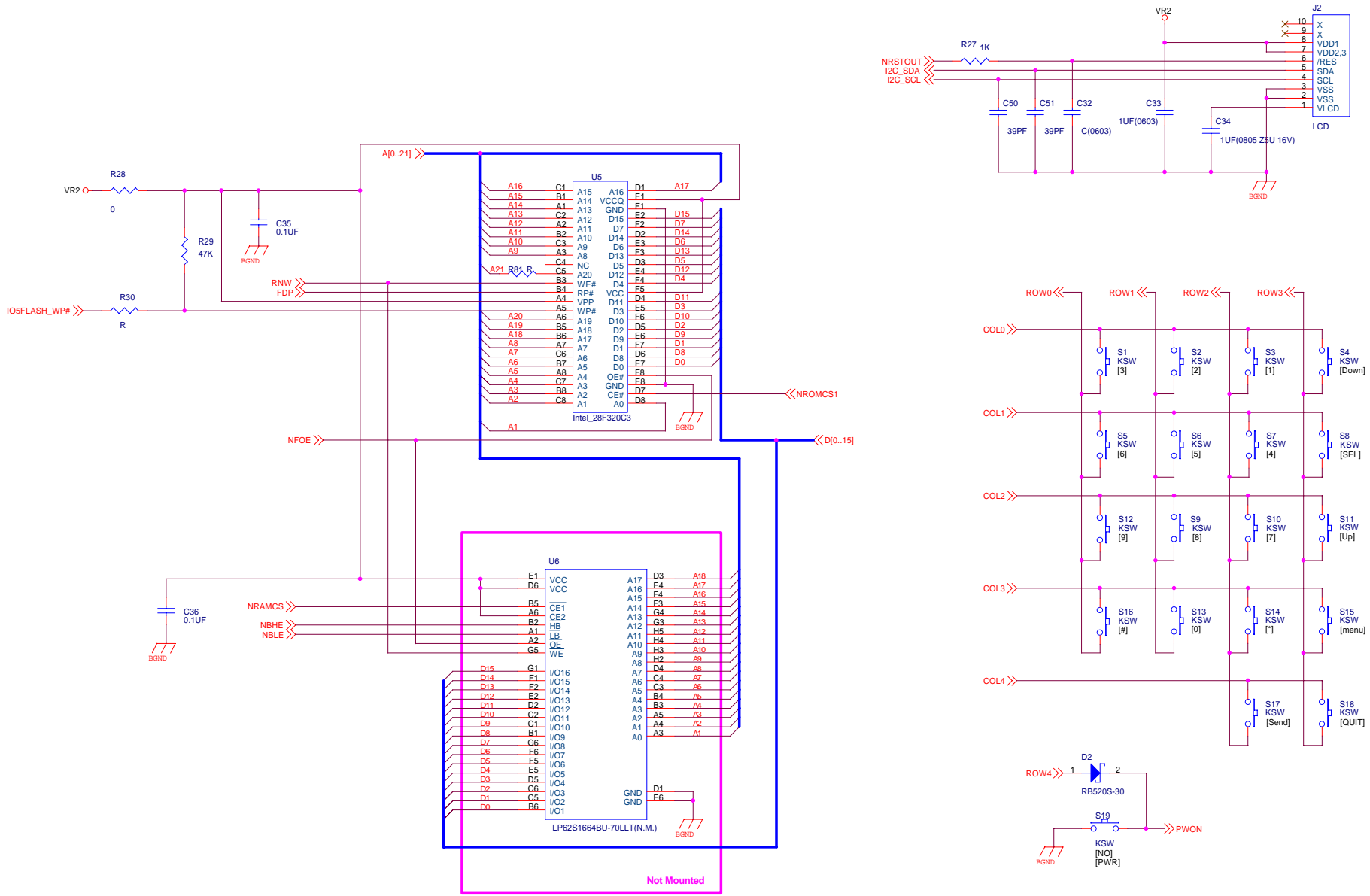


| | | |
|-------------------|----------------------------|--------------|
| AcerCM | | |
| Title | | |
| 5 Charging | | |
| Size | Document Number | Rev |
| B | D72 / MARCH_TIV41L | |
| Date: | Friday, September 28, 2001 | Sheet 1 of 1 |

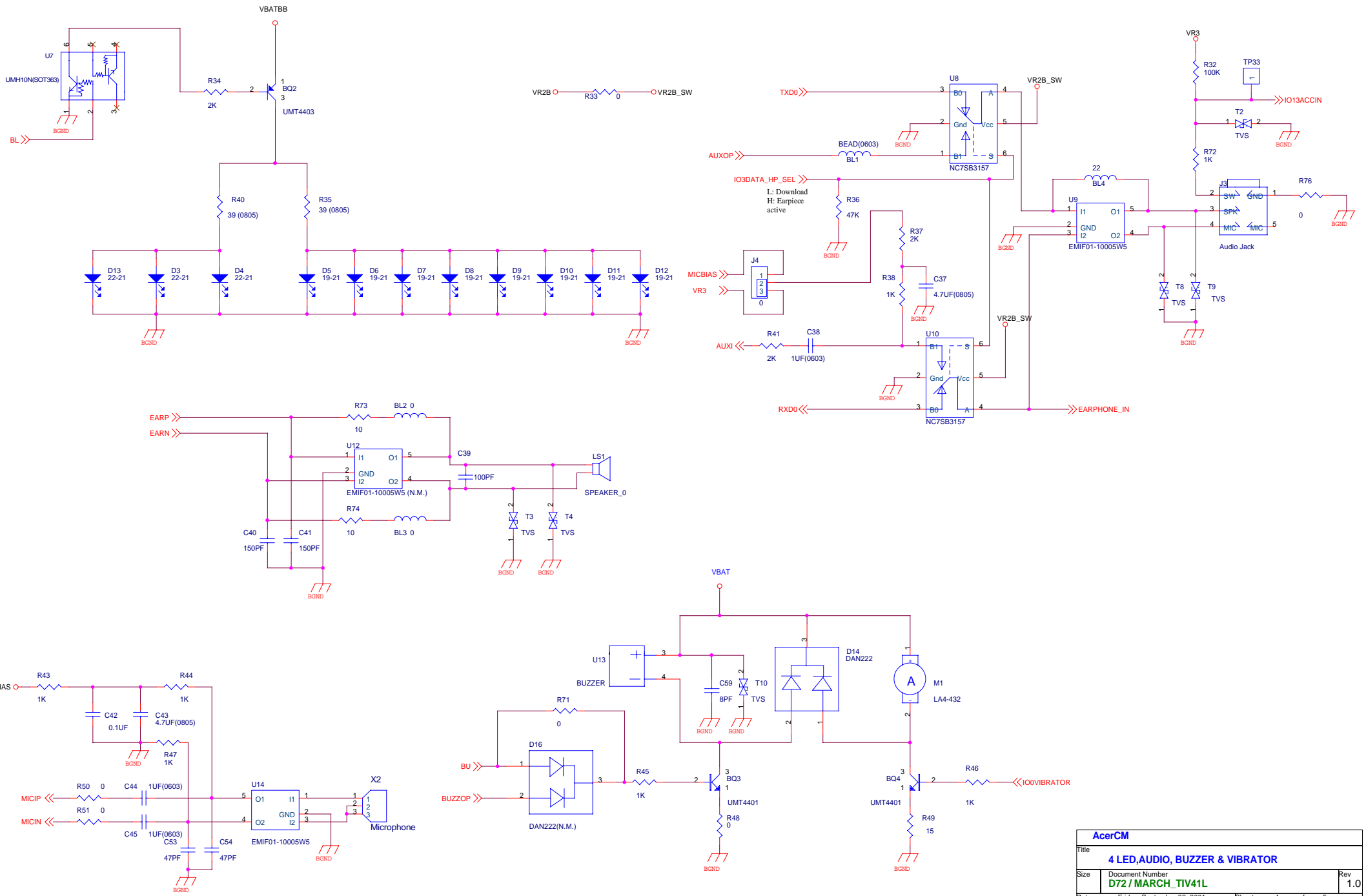


- VR1 : ULYSSE CORE (2.5,1.8,1.4,1.2;120mA)
- VR1B : OMEGA CORE (2.0;50mA)
- VR2 : MEMORY (2.9,2.0;120mA)
- VR2B : Peripheral (2.9;50mA)
- VR3 : ANALOG (2.9;80mA)
- BACK-UP SYSTEM
- VR1 : ULYSSE CORE (2.0;0.65mA)
- VR2 : MEMORY (2.9;0.65mA)
- VR2B : Peripheral (2.75;0.65mA)
- VCC1 : Step down DC/DC + VR1
- VCC2 : SIM Pump+VR1B+VR2B
- VCC3 : VR3
- VR2 : VR2IN

| | | |
|---------|----------------------------|--------------|
| AcerCM | | |
| Title | | |
| 2 OMEGA | | |
| Size | Document Number | Rev |
| Custom | D72 / MARCH_TIV41L | 1.0 |
| Date: | Friday, September 28, 2001 | Sheet 2 of 5 |



| | | |
|----------------------------|----------------------------|--------------|
| AcerCM | | |
| Title | | |
| 3 MEMORY,LCD,KEYPAD | | |
| Size | Document Number | Rev |
| Custom | D72 / MARCH_TIV41L | 1.0 |
| Date: | Friday, September 28, 2001 | Sheet 3 of 5 |



| | | |
|--|--|-------------------|
| AcerCM | | |
| Title 4 LED,AUDIO, BUZZER & VIBRATOR | | |
| Size | Document Number D72 / MARCH_TIV41L | Rev 1.0 |
| Date: | Friday, September 28, 2001 | Sheet 4 of 5 |