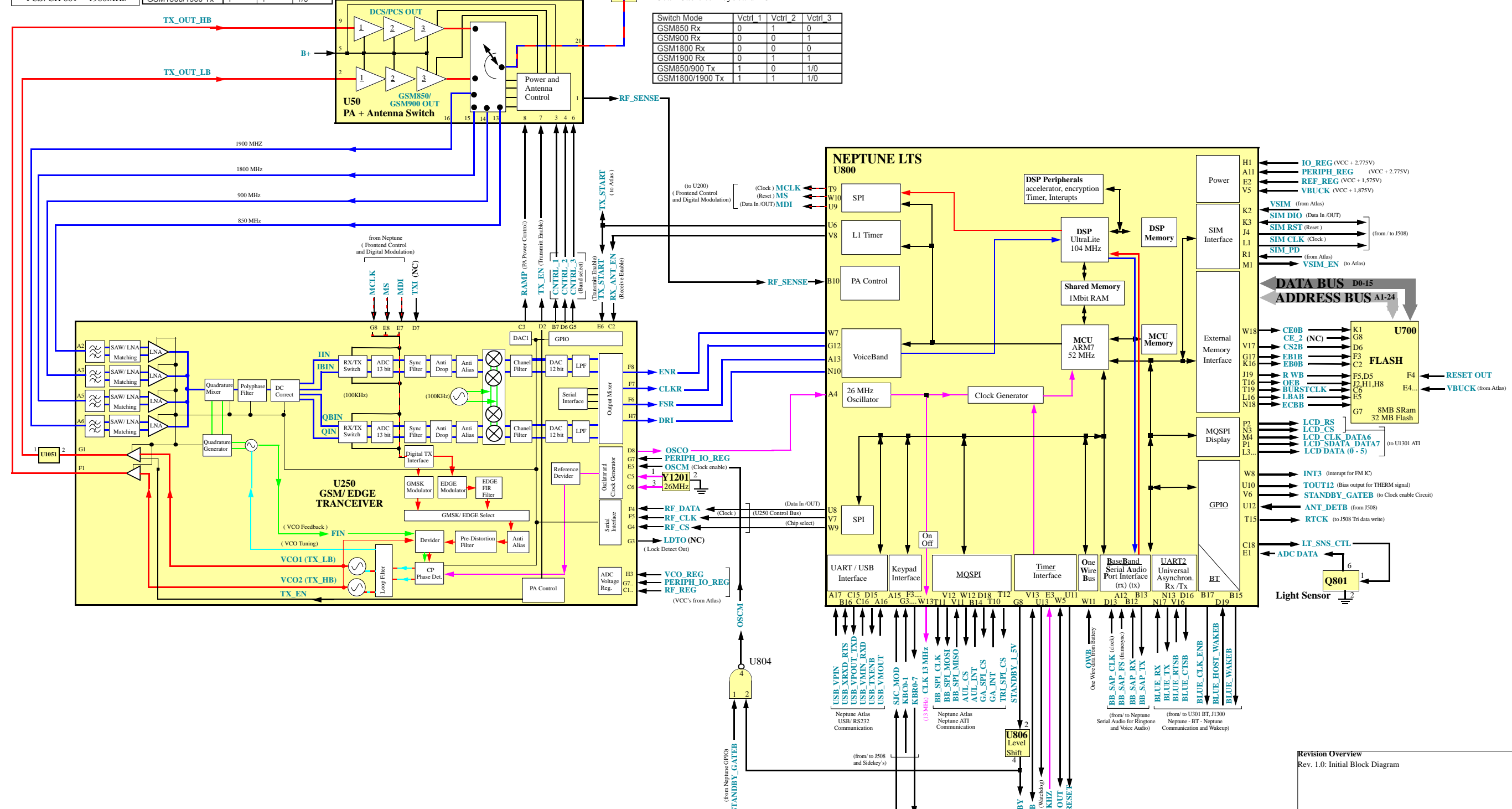


RX MID CHANNELS	Switch Mode	Vctrl 1	Vctrl 2	Vctrl 3
850: CH190 -- 881.6	GSM850 Rx	0	1	0
GSM: CH 62 -- 947.4 MHz	GSM900 Rx	0	0	1
EGSM: CH 37 -- 942.4MHz	GSM1800 Rx	0	0	0
DCS: CH 700 -- 1842.8MHz	GSM1900 Rx	0	1	1
PCS: CH 661 -- 1960MHz	GSM850/900 Tx	1	0	1/0
	GSM1800/1900 Tx	1	1	1/0

Switch Mode	Vctrl 1	Vctrl 2	Vctrl 3
GSM850 Rx	0	1	0
GSM900 Rx	0	0	1
GSM1800 Rx	0	0	0
GSM1900 Rx	0	1	1
GSM850/900 Tx	1	0	1/0
GSM1800/1900 Tx	1	1	1/0



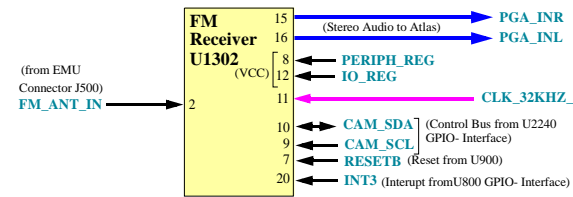
Main PCB
L7i/e

Service Engineering & Optimization
Level 3 Authorized

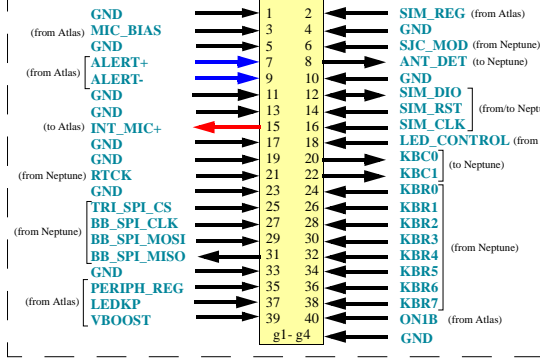
Revision Overview
Rev. 1.0: Initial Block Diagram

Service, Engineering & Optimization	2006.11.24
LEVEL 3 AL Block Diagram	Rev. 1.0
L7i/e	
	Page 1 of 3

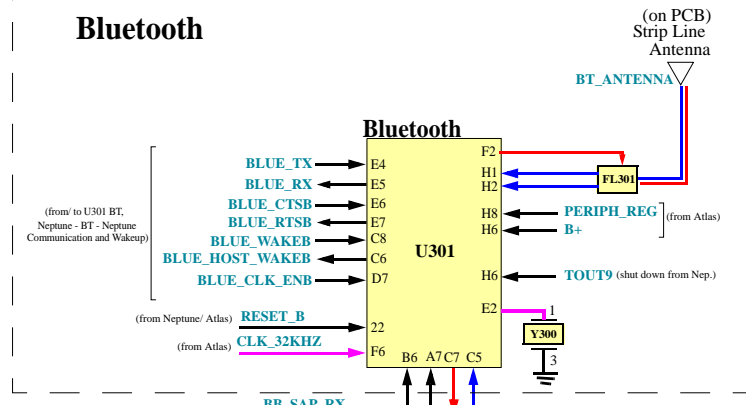
FM- Receiver



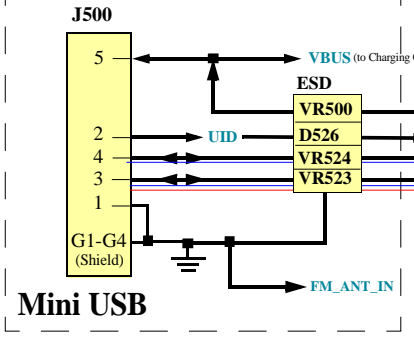
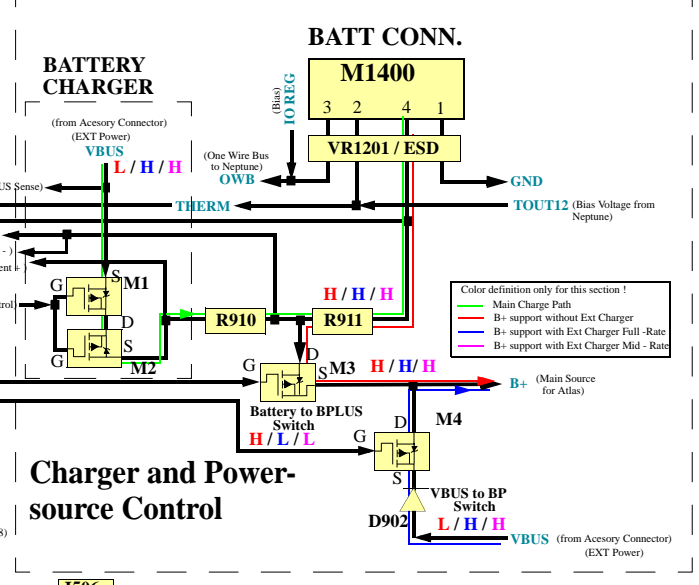
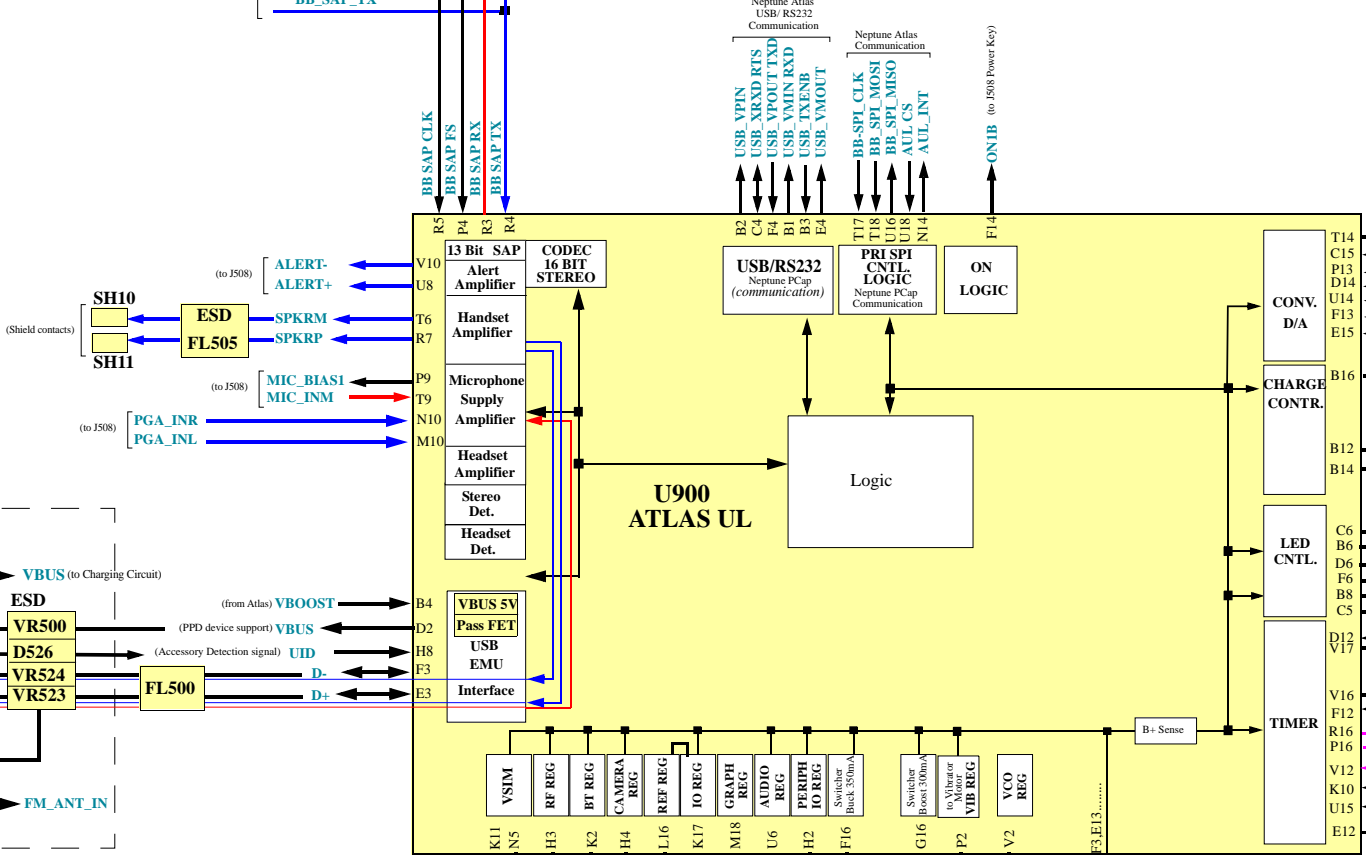
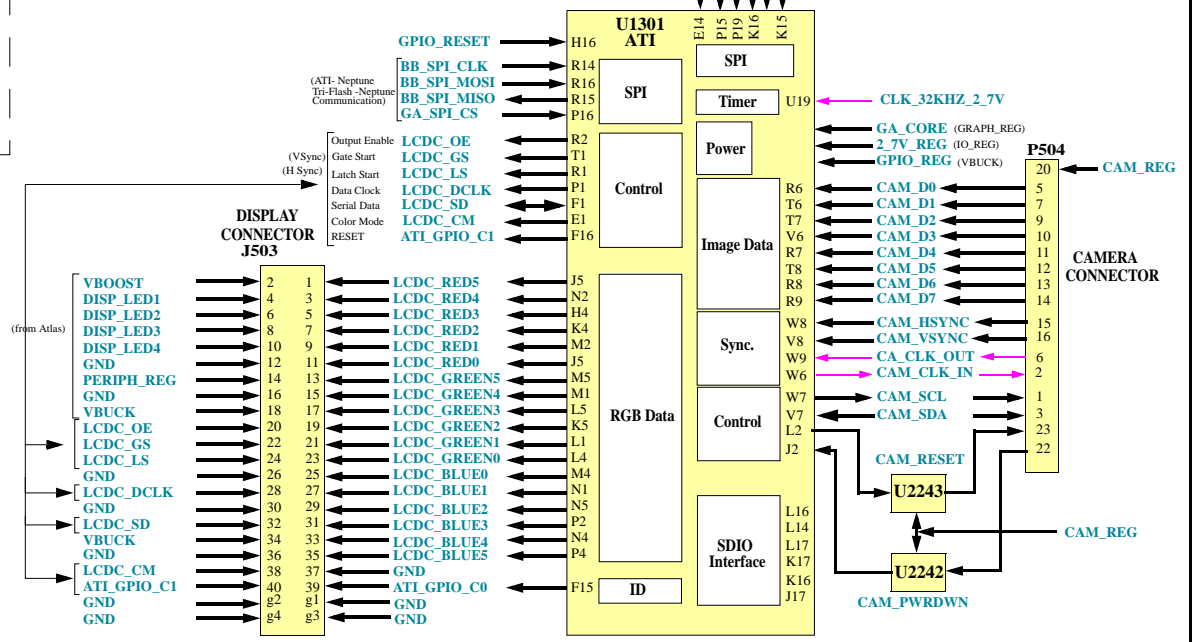
Board to Board Connector J508



Bluetooth



Graphics Accelerator Camera /Display

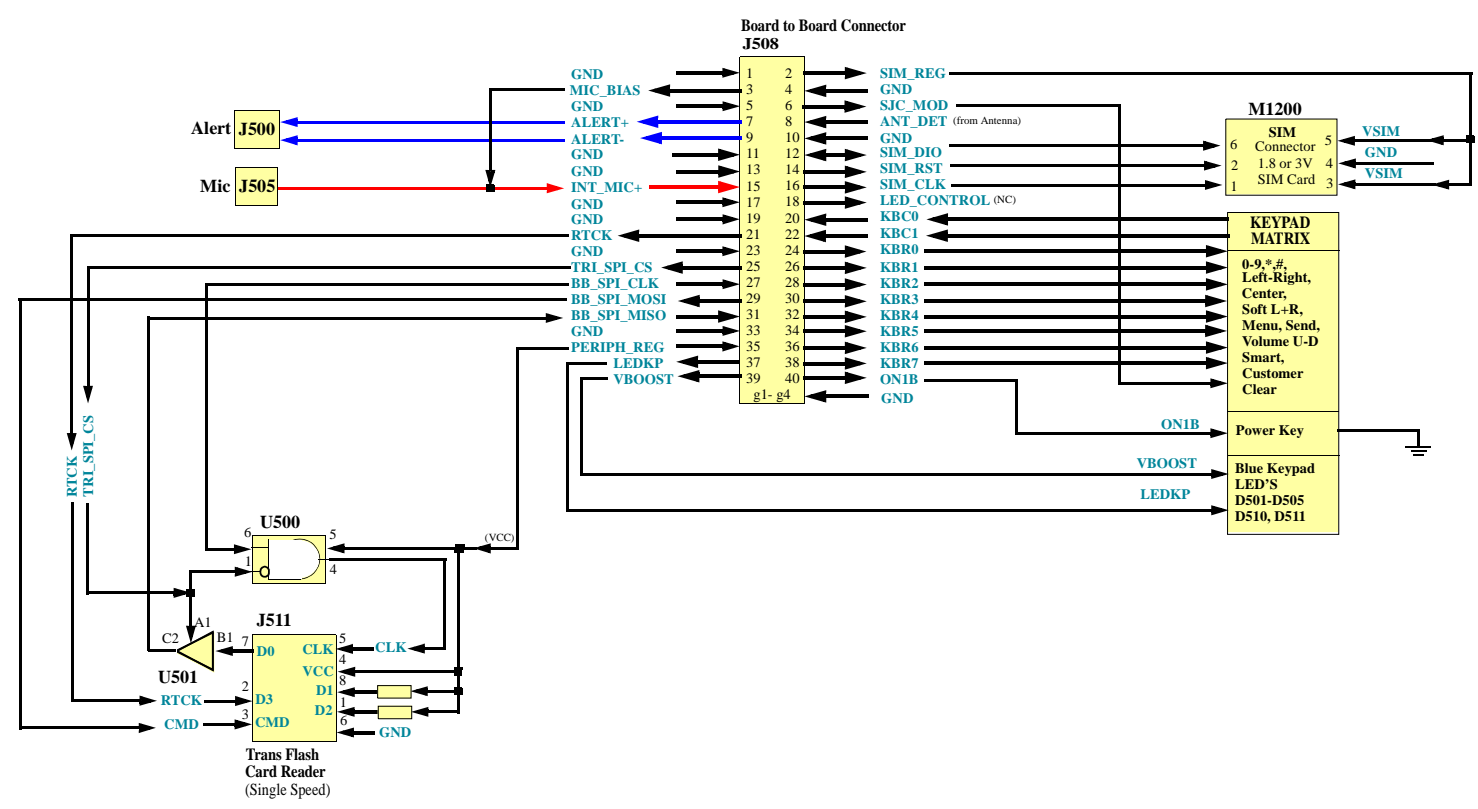
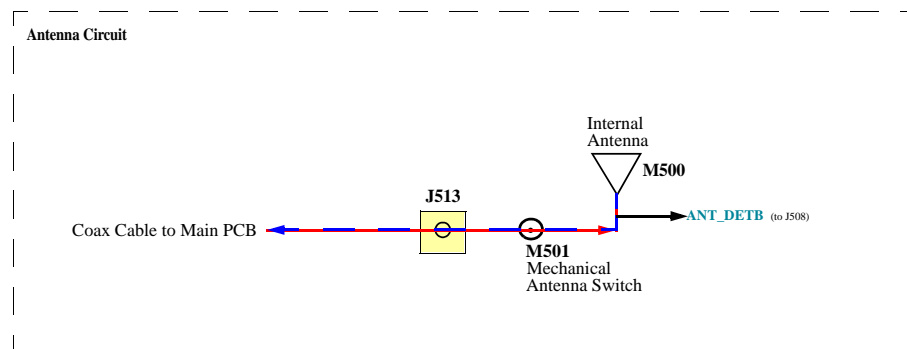


Revision Overview	
Rev. 1.0: Initial Block Diagram	

Main PCB
L7i/e

Service Engineering & Optimization
Level 3 Authorized

Serve, Engineering & Optimization	2006.11.24
LEVEL 3 AL Block Diagram	Rev. 1.0
L7i/e	
	Page 2of 3



Revision Overview	
Rev. 1.0:	Initial Block Diagram