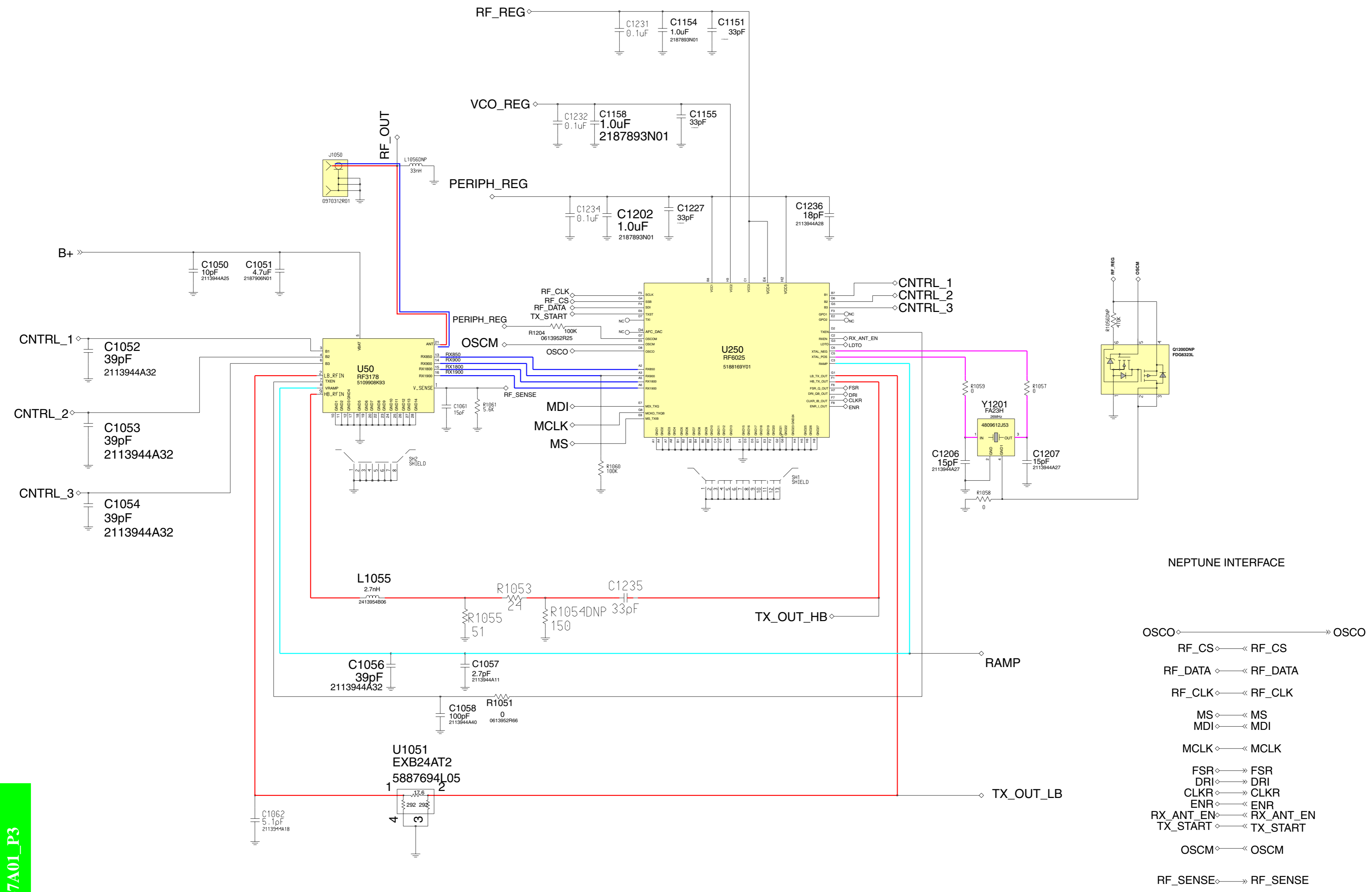
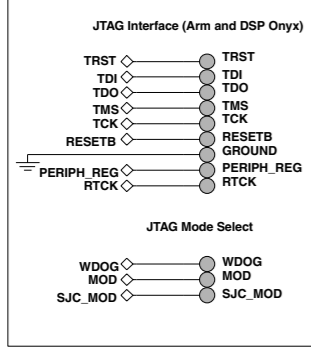


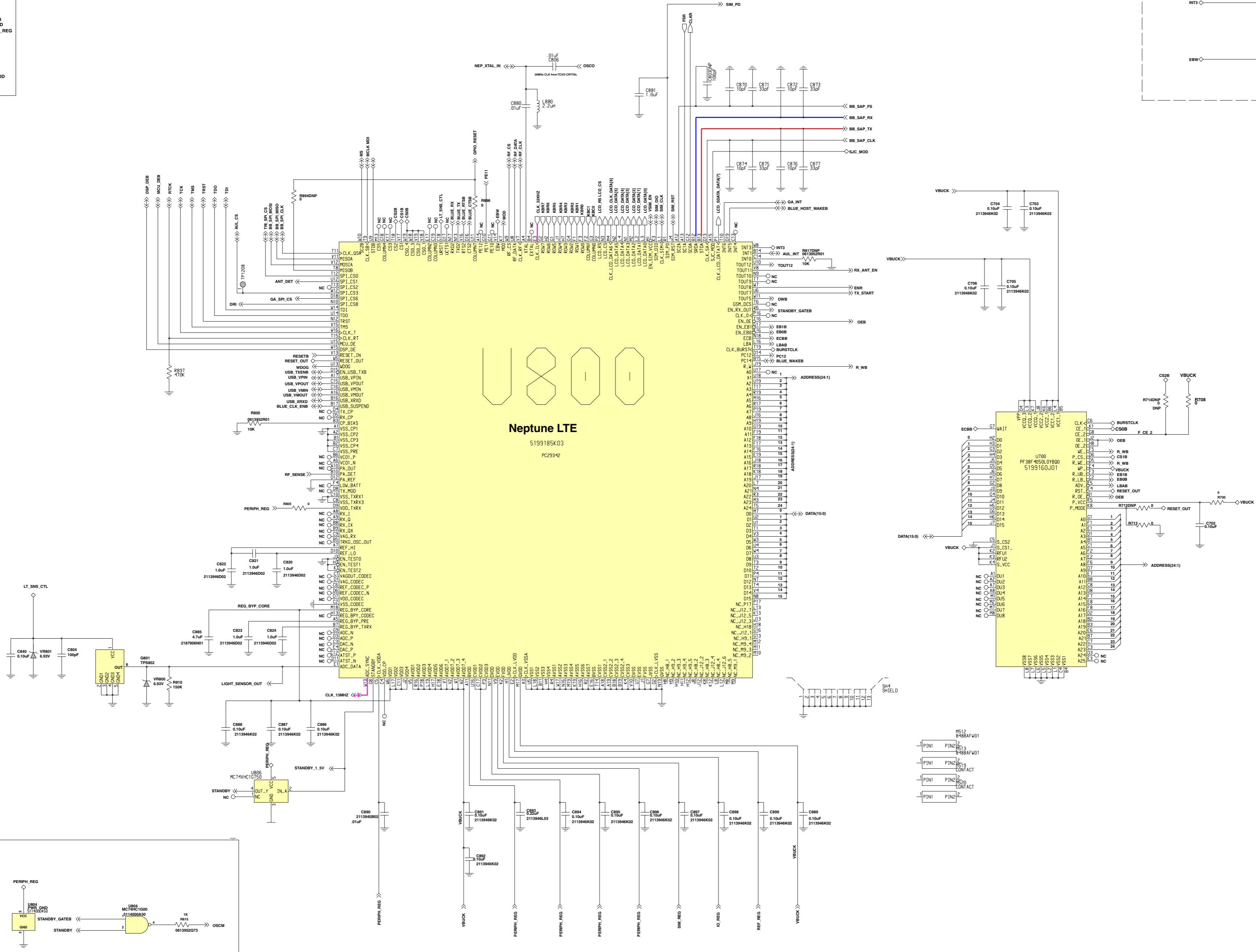
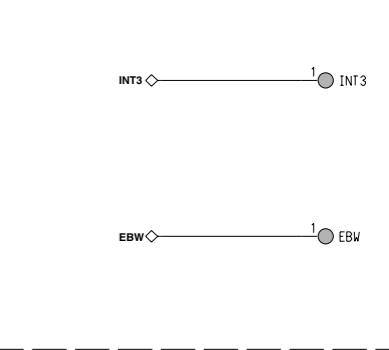
L7_8471037A01_P3



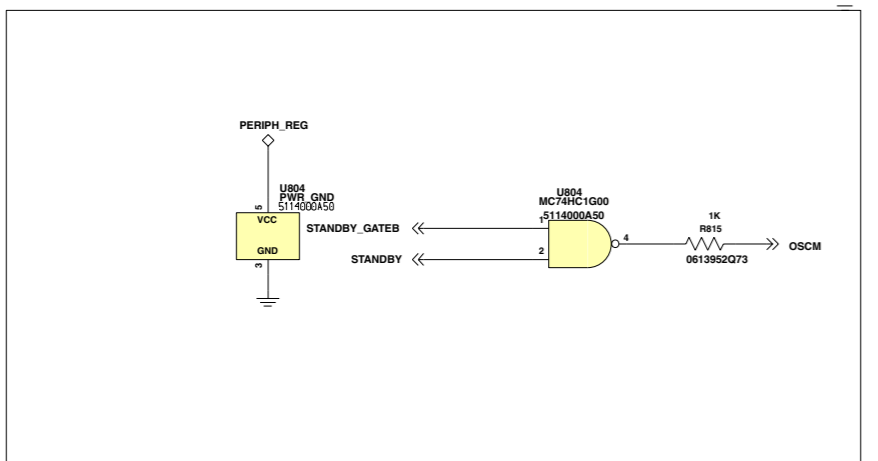
JTAG TEST POINTS



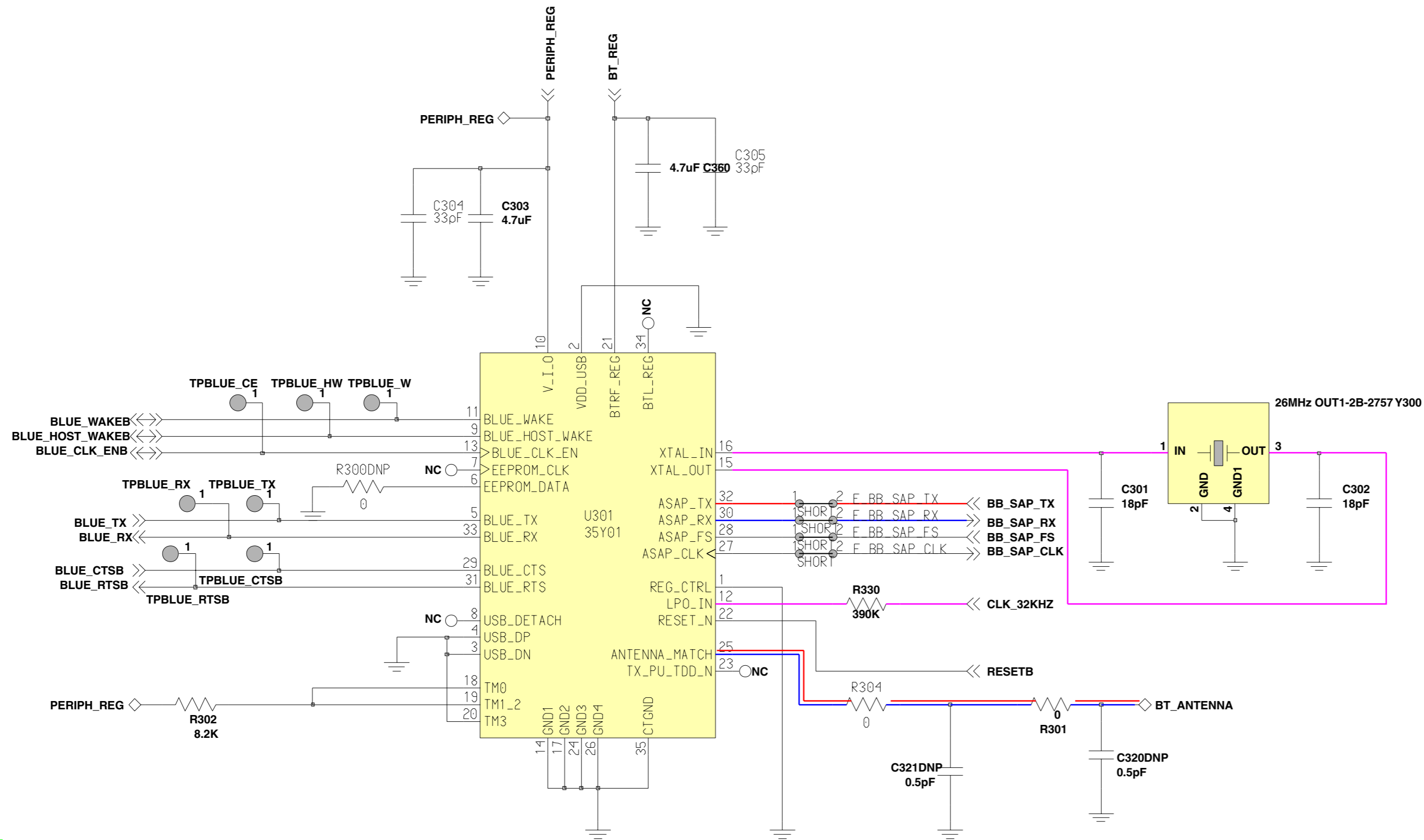
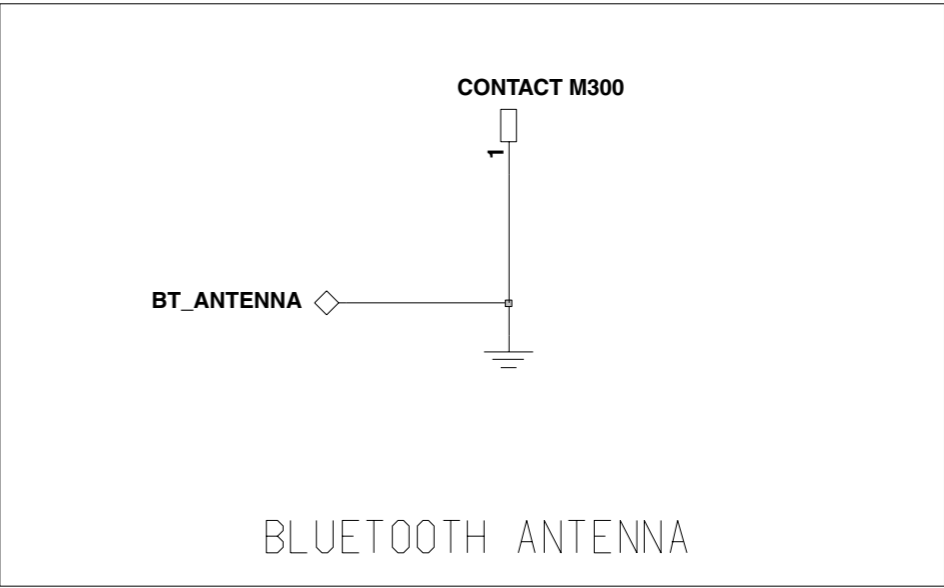
FORCE FLASH MODE



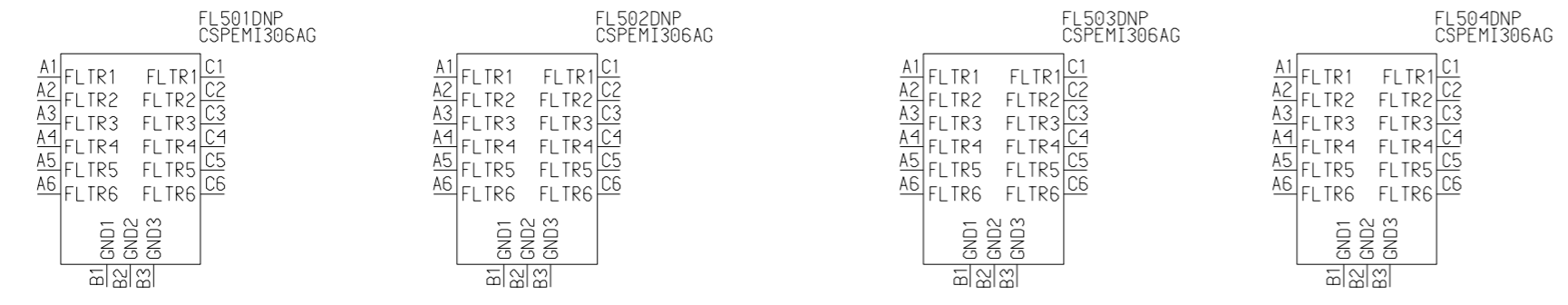
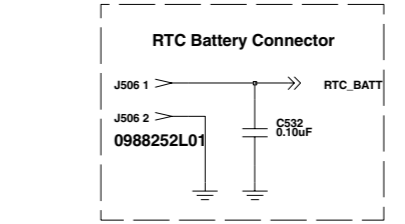
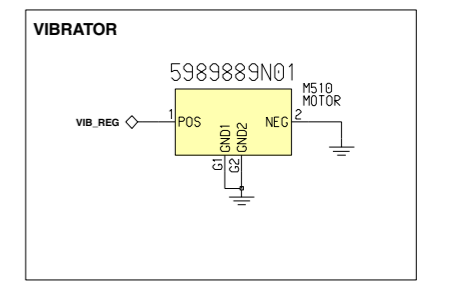
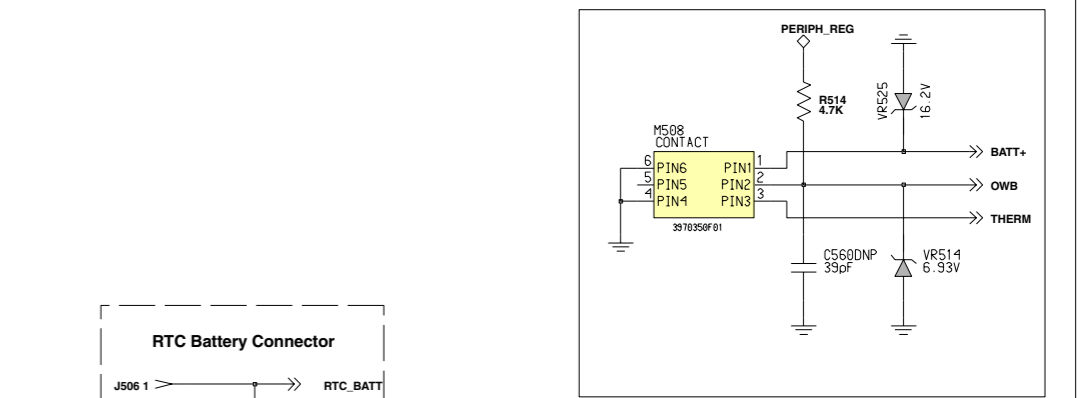
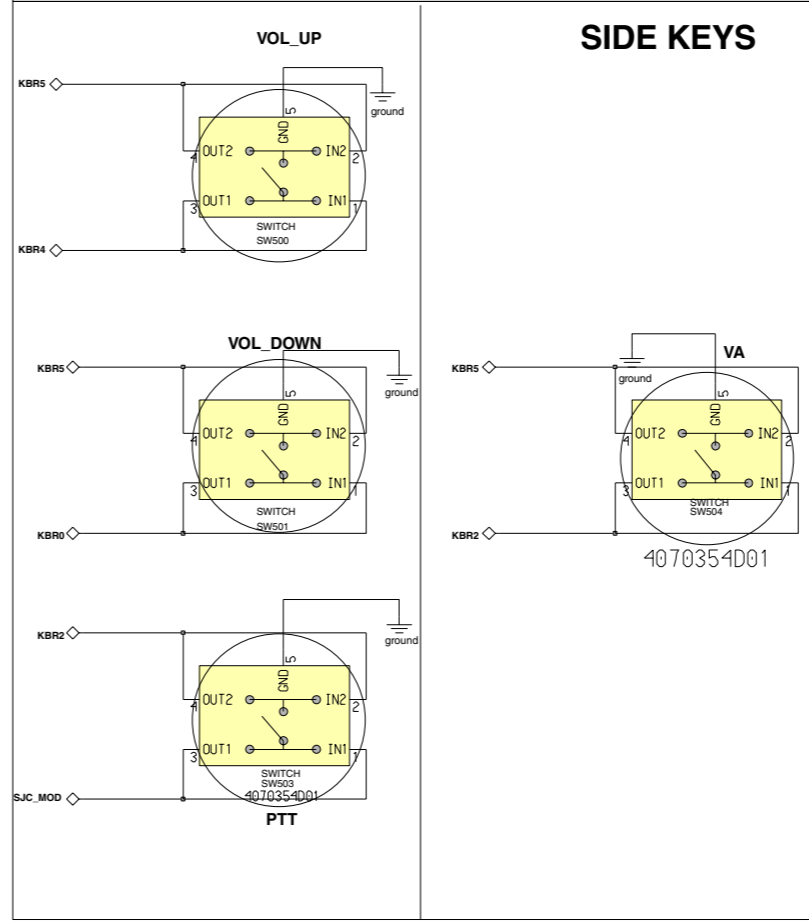
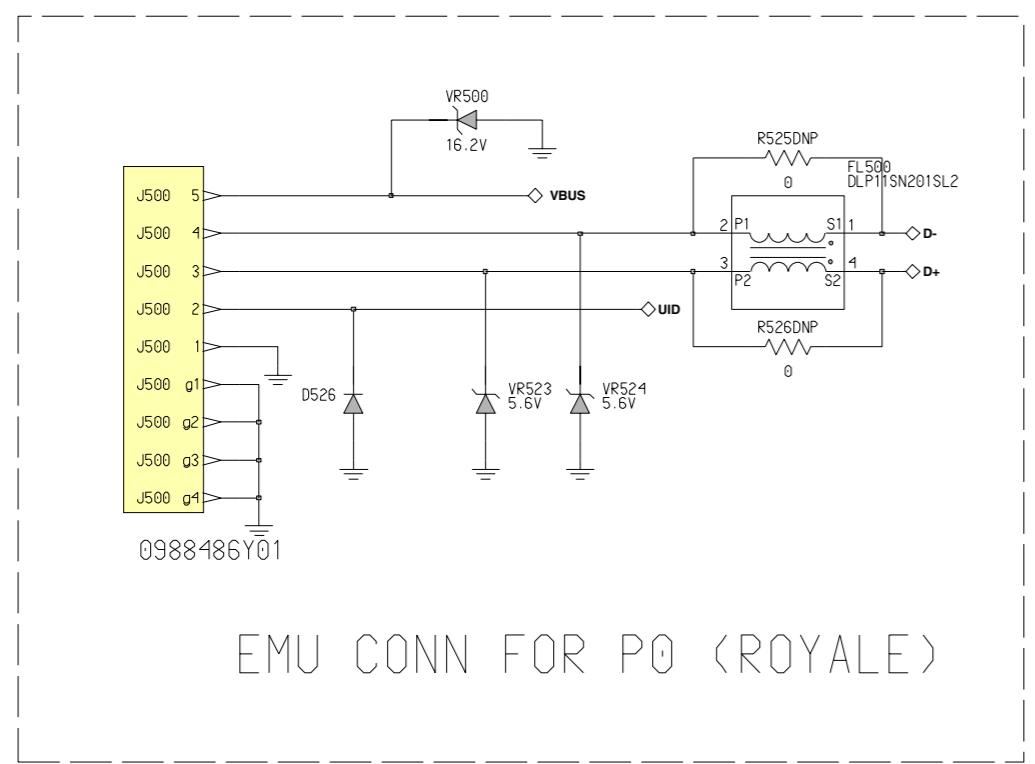
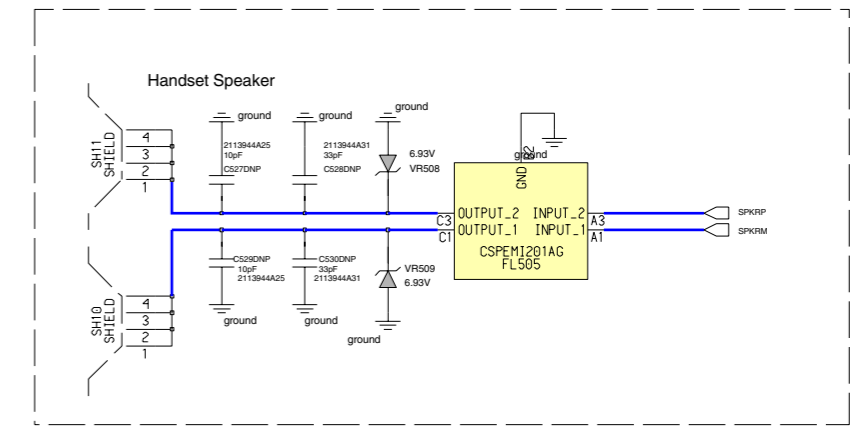
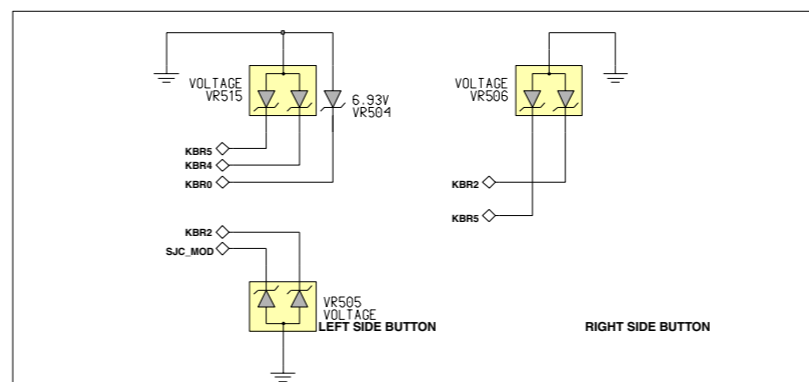
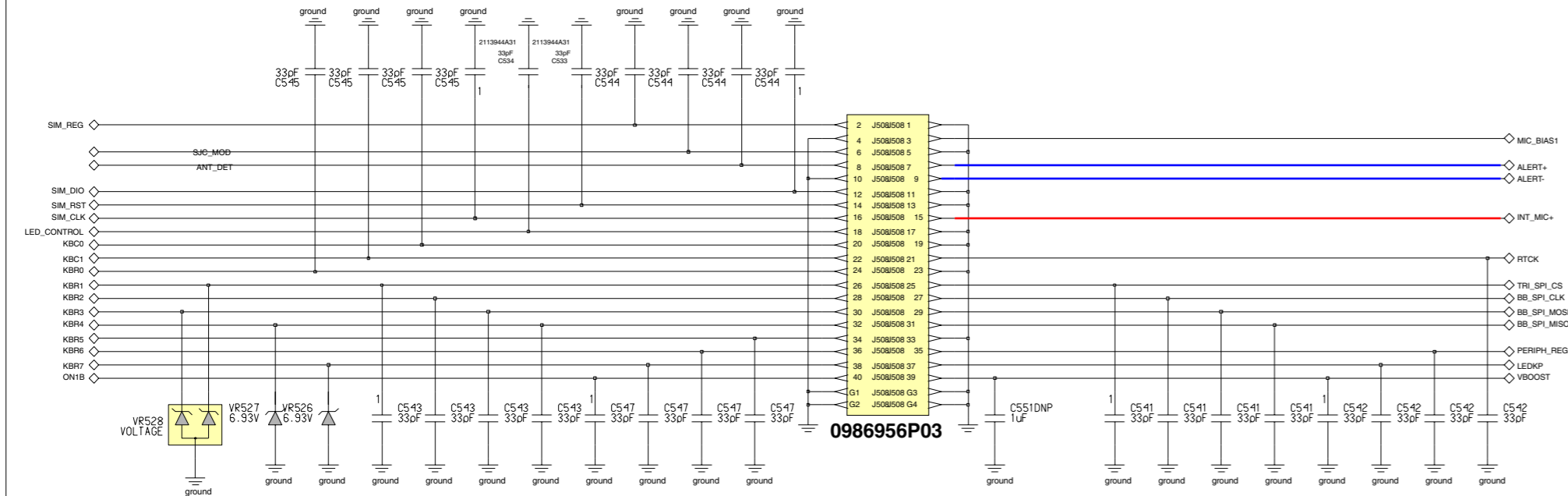
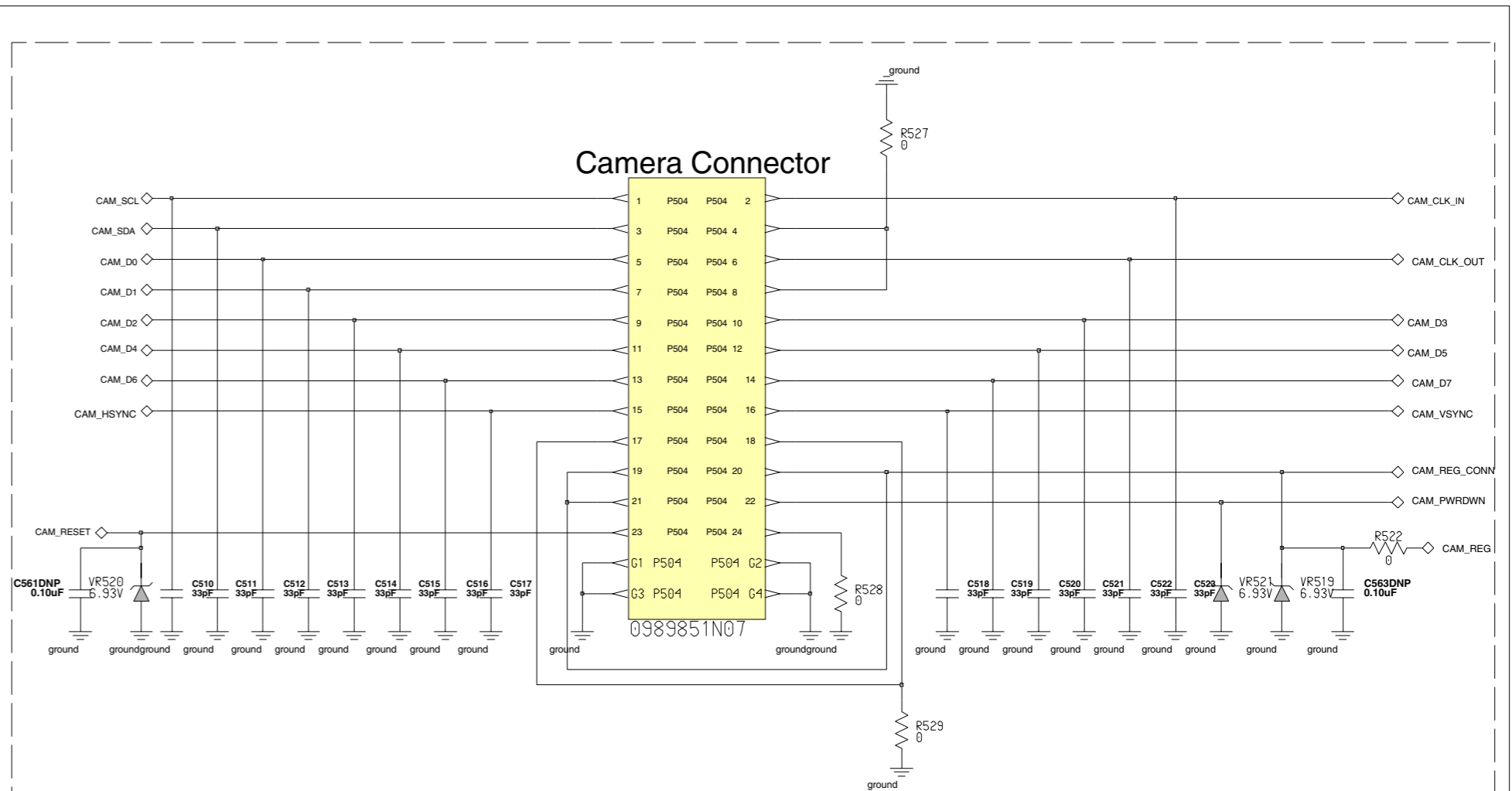
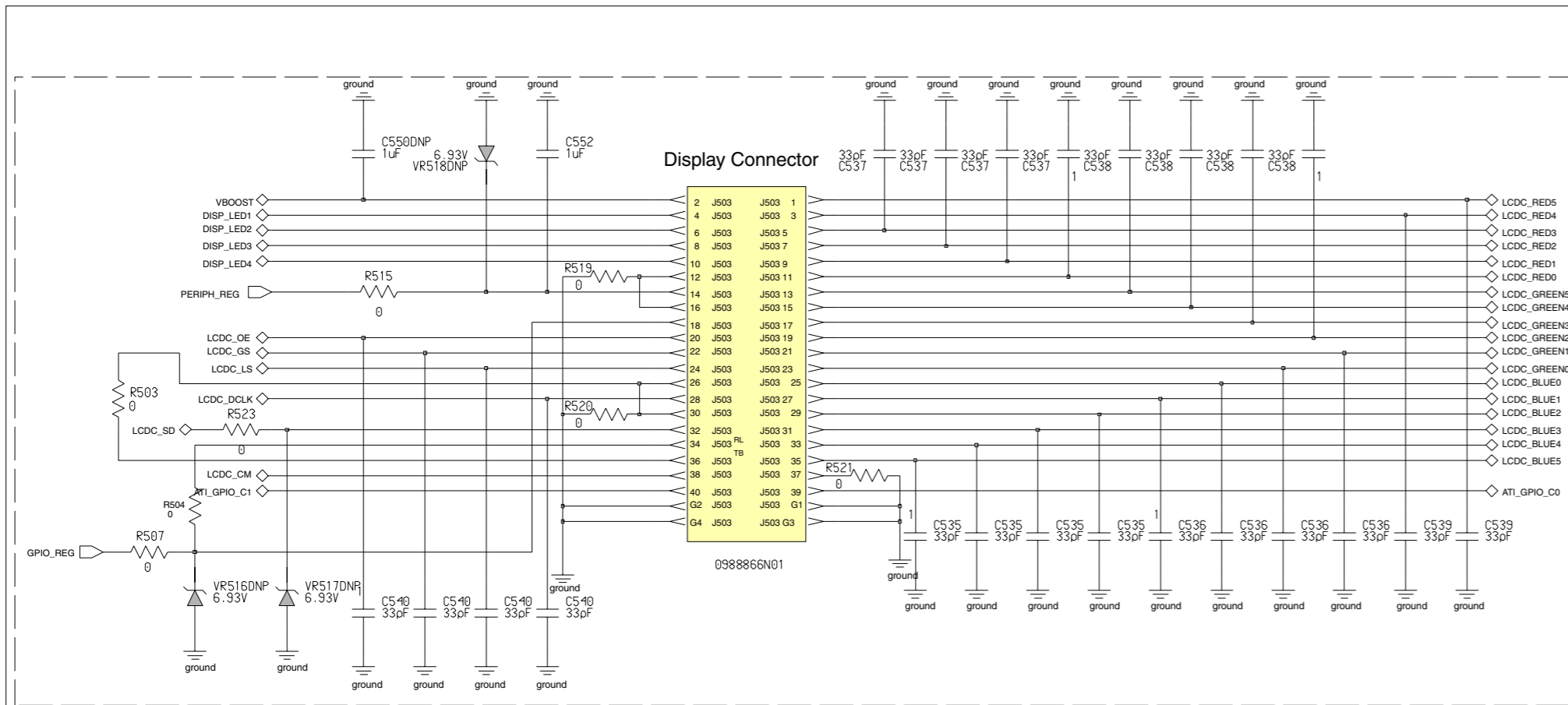
L7_8471037A01_P3



AUL REGULATOR SUPPLIES

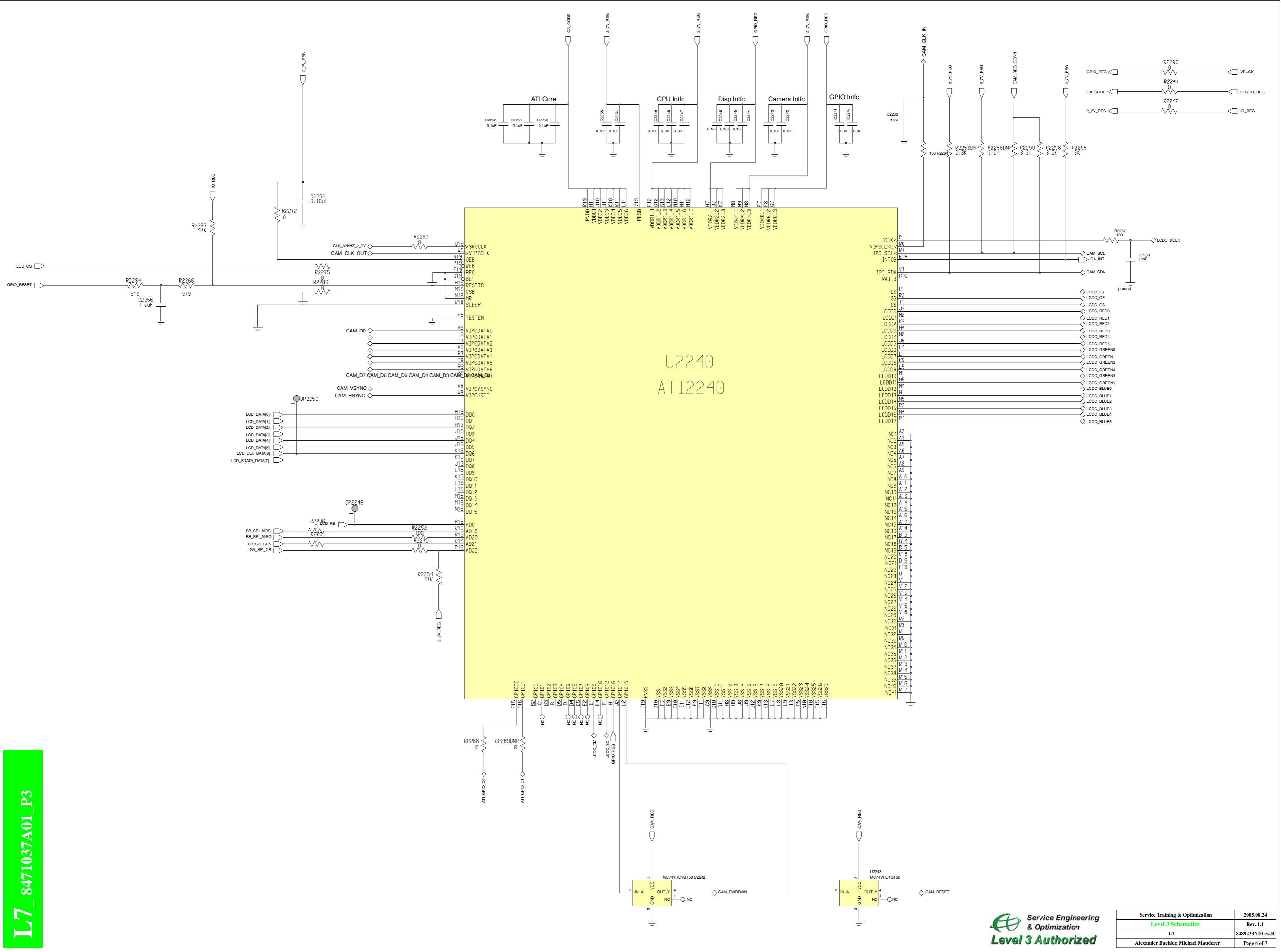


L7_8471037A01_P3

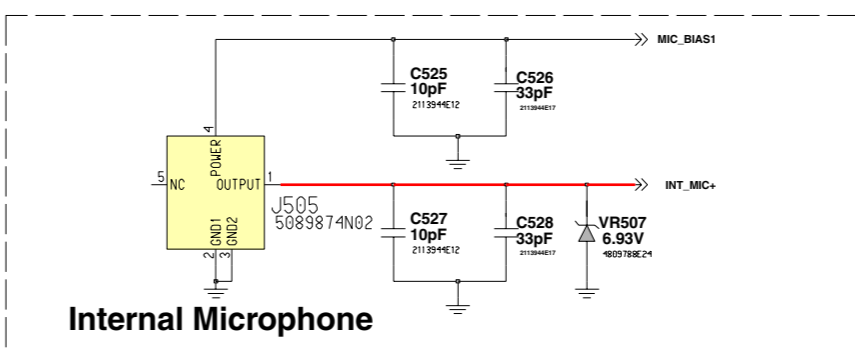
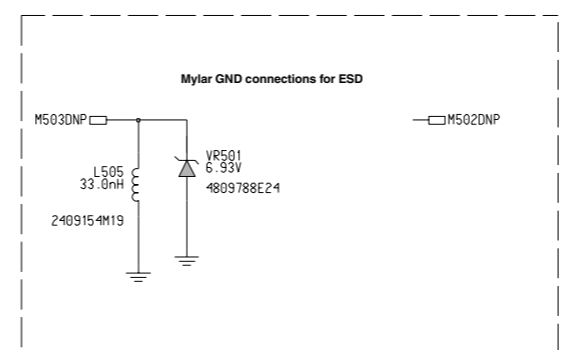
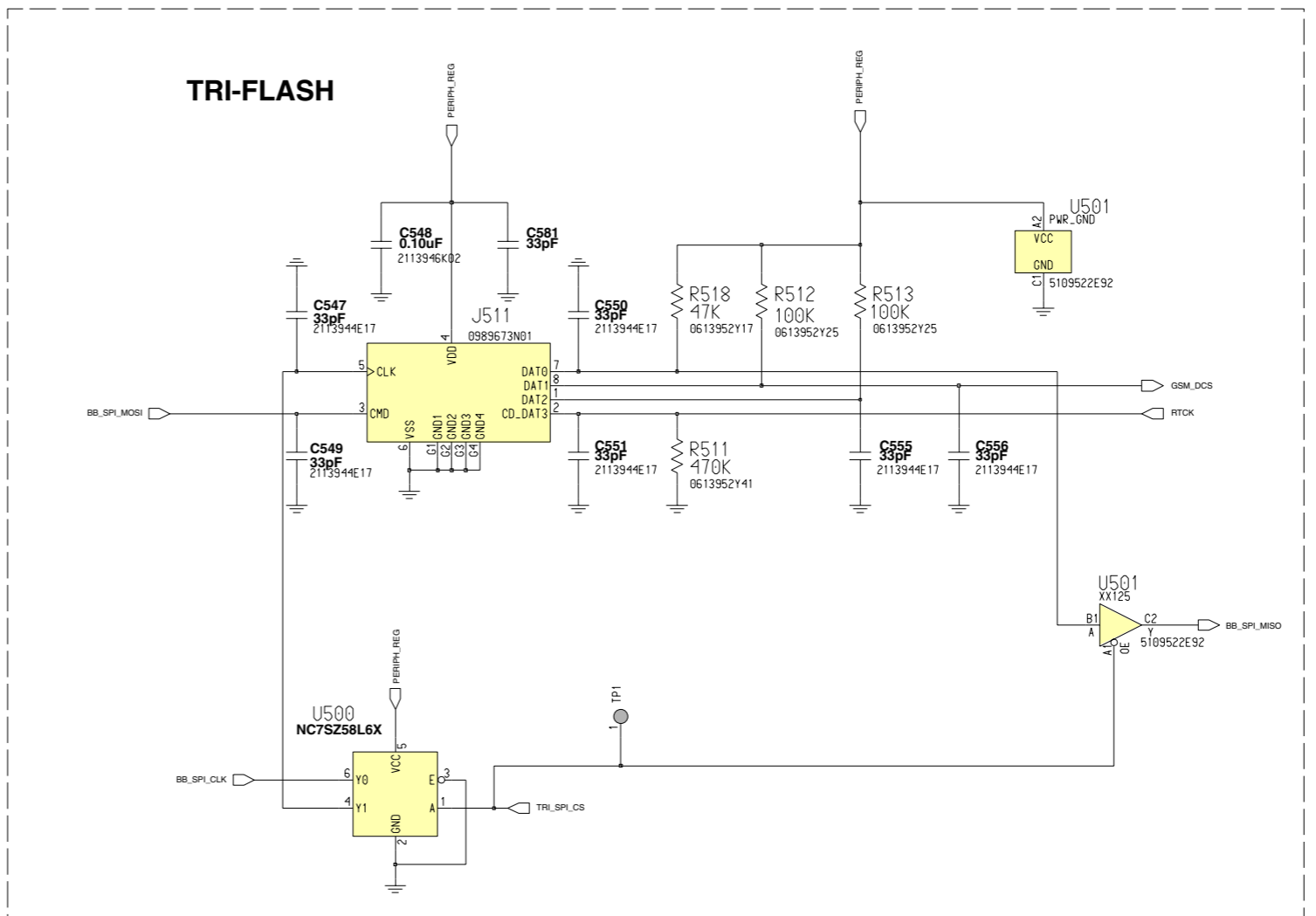
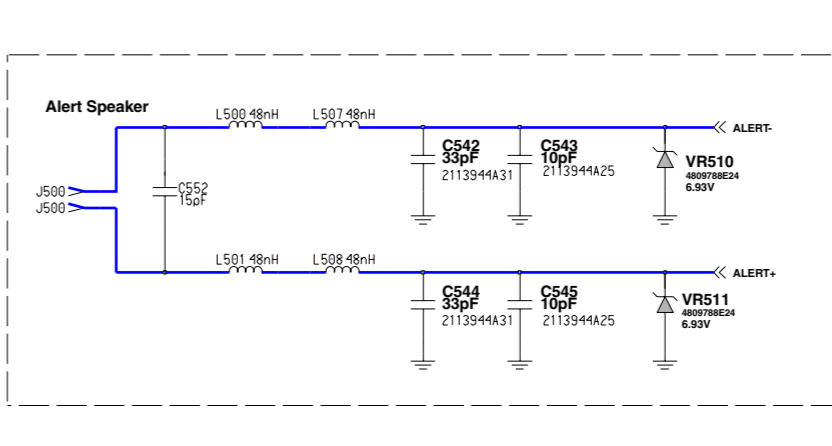
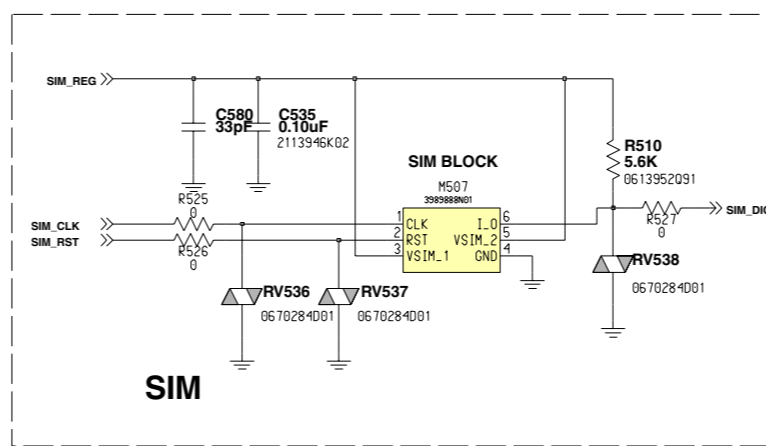
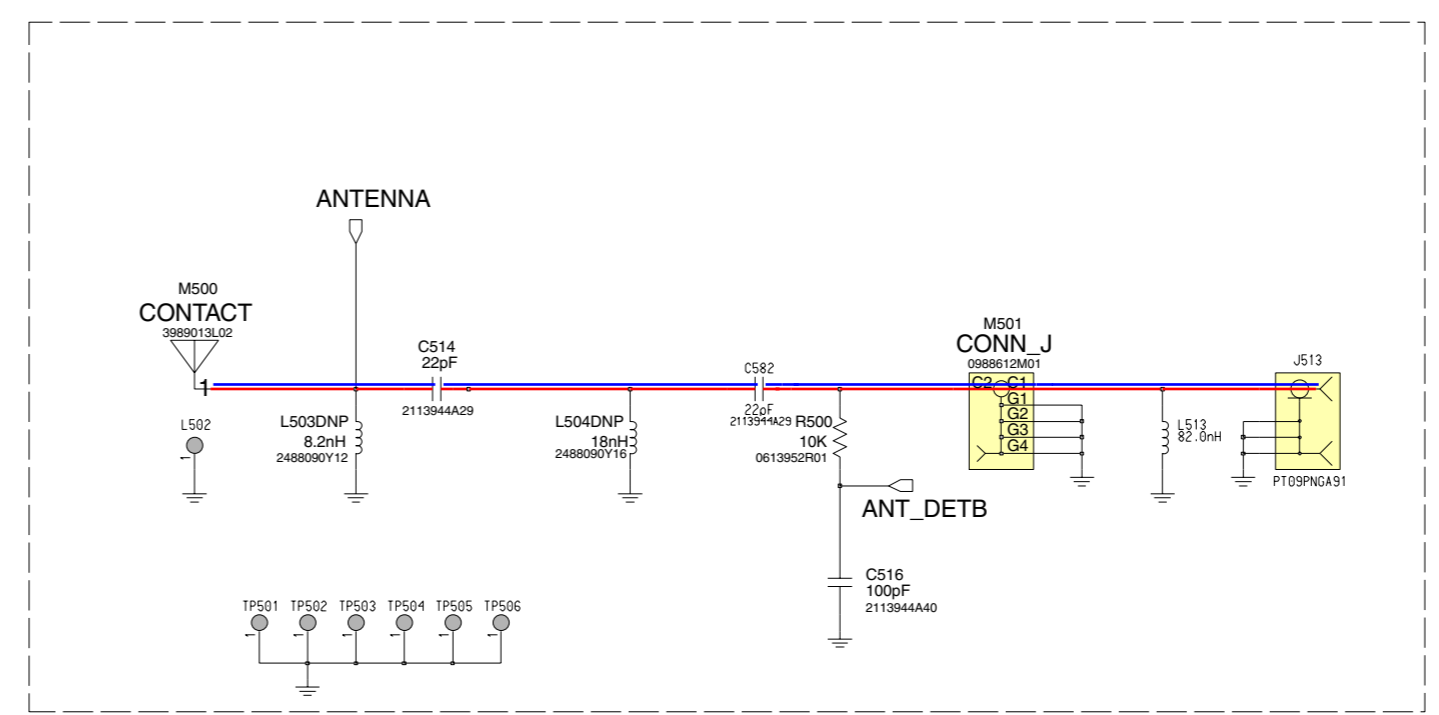
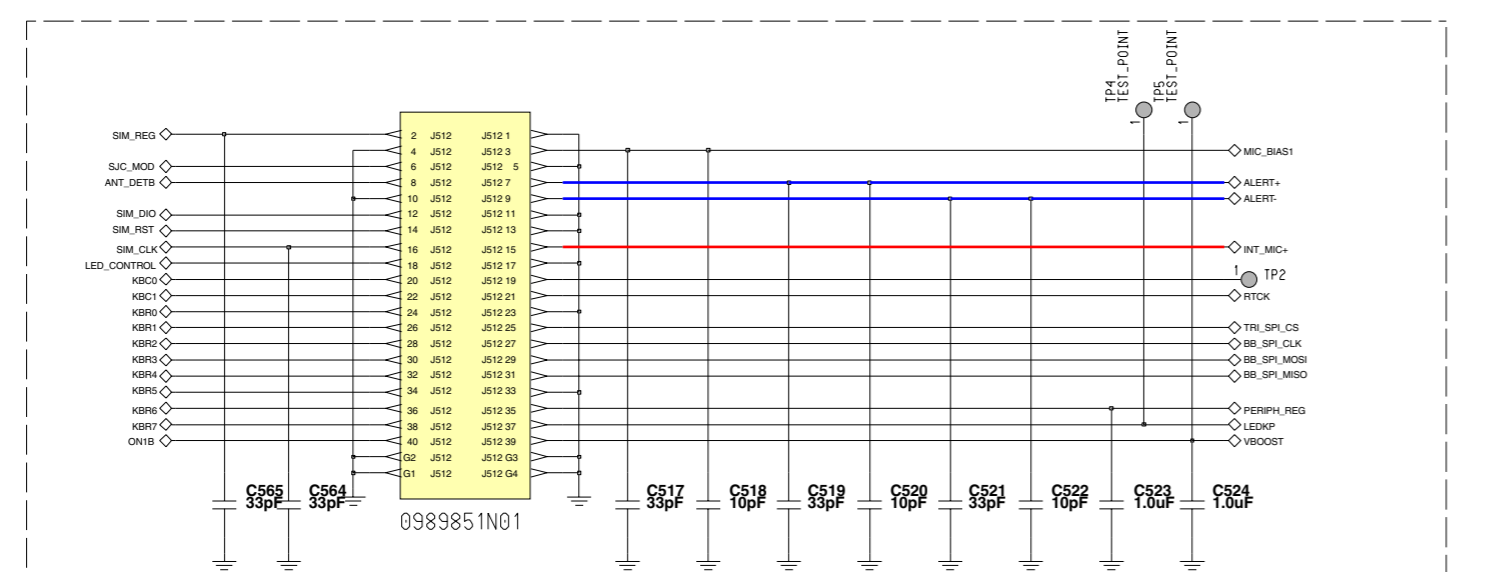
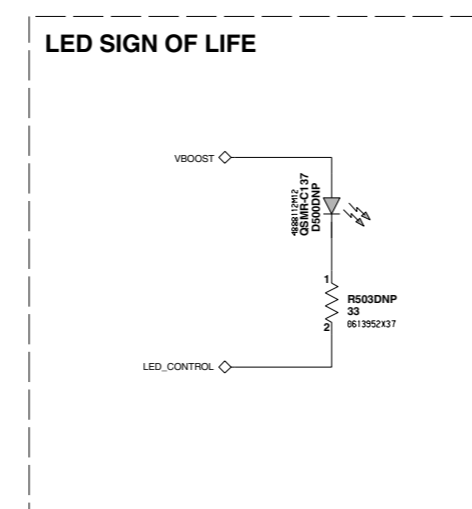
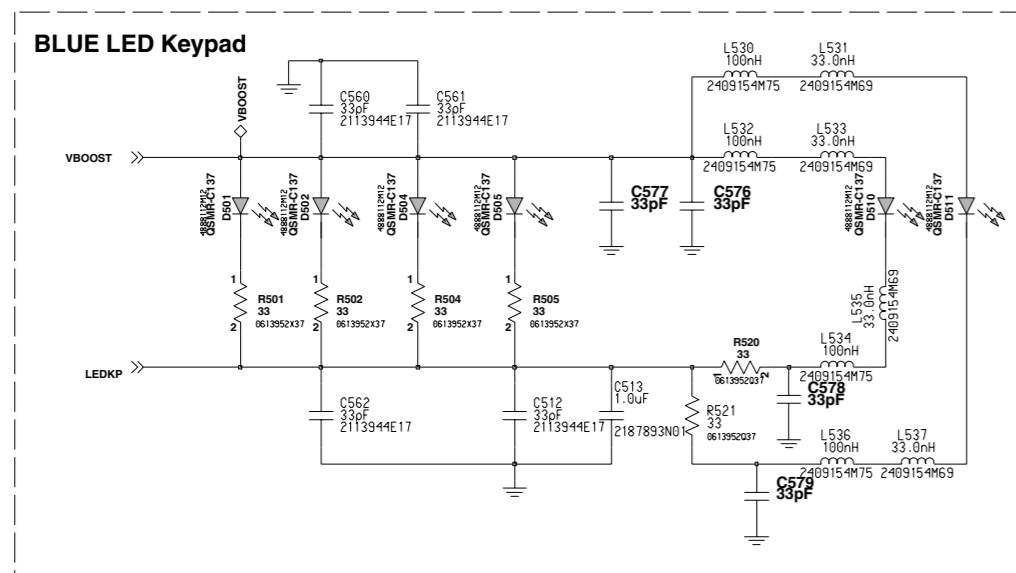
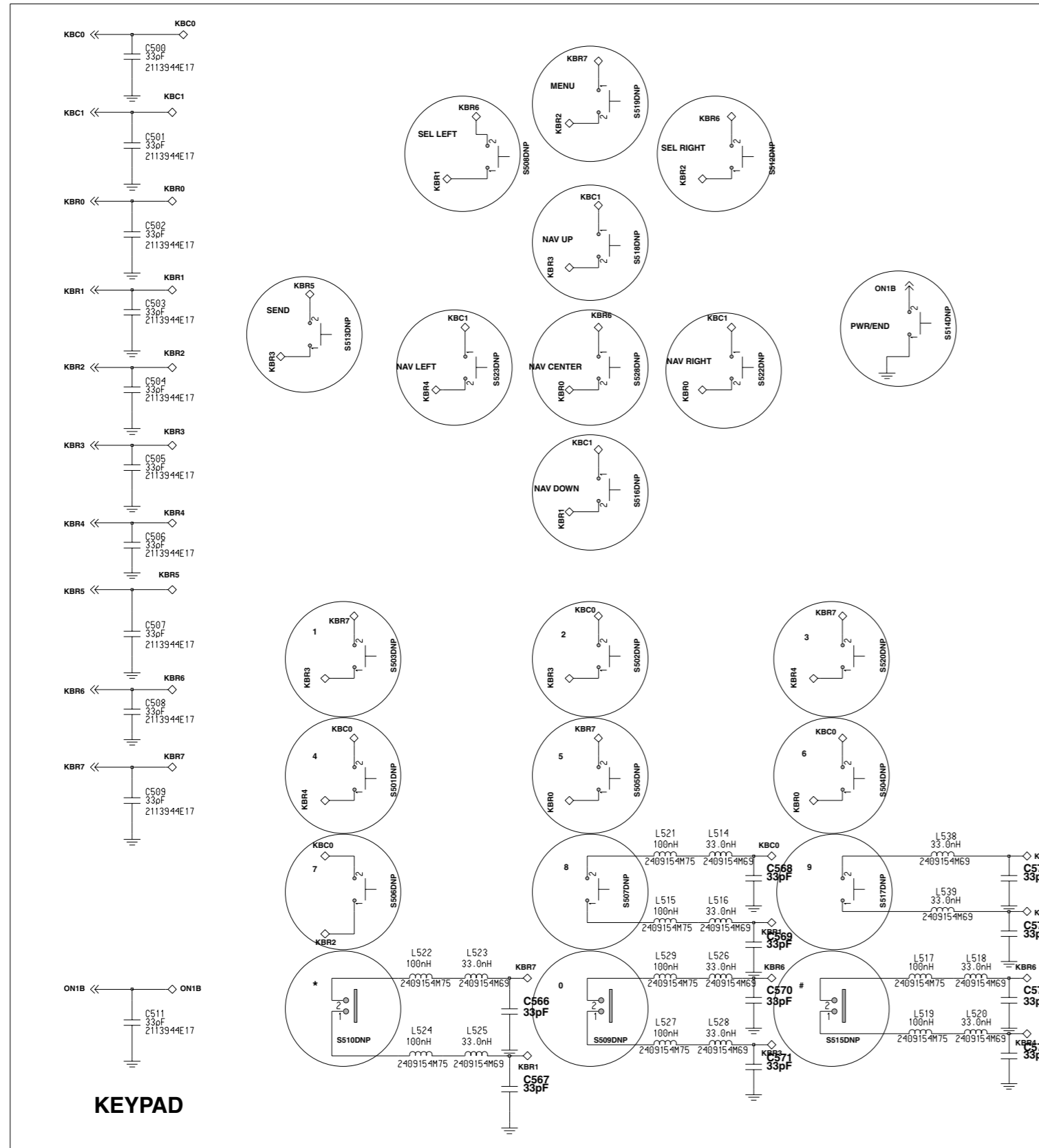


L7_8471037A01_P3

L7_8471037A01_P3



MOTOROLA CONFIDENTIAL PROPRIETARY
CONNECTIVITY



L7_8471037A01_P3

Service Engineering & Optimization
Level 3 Authorized

Service Training & Optimization	2005.08.24
Level 3 Schematics	Rev. L1
L7	8489233N10 iss.B
Alexander Buchler, Michael Mauderer	Page 7 of 7