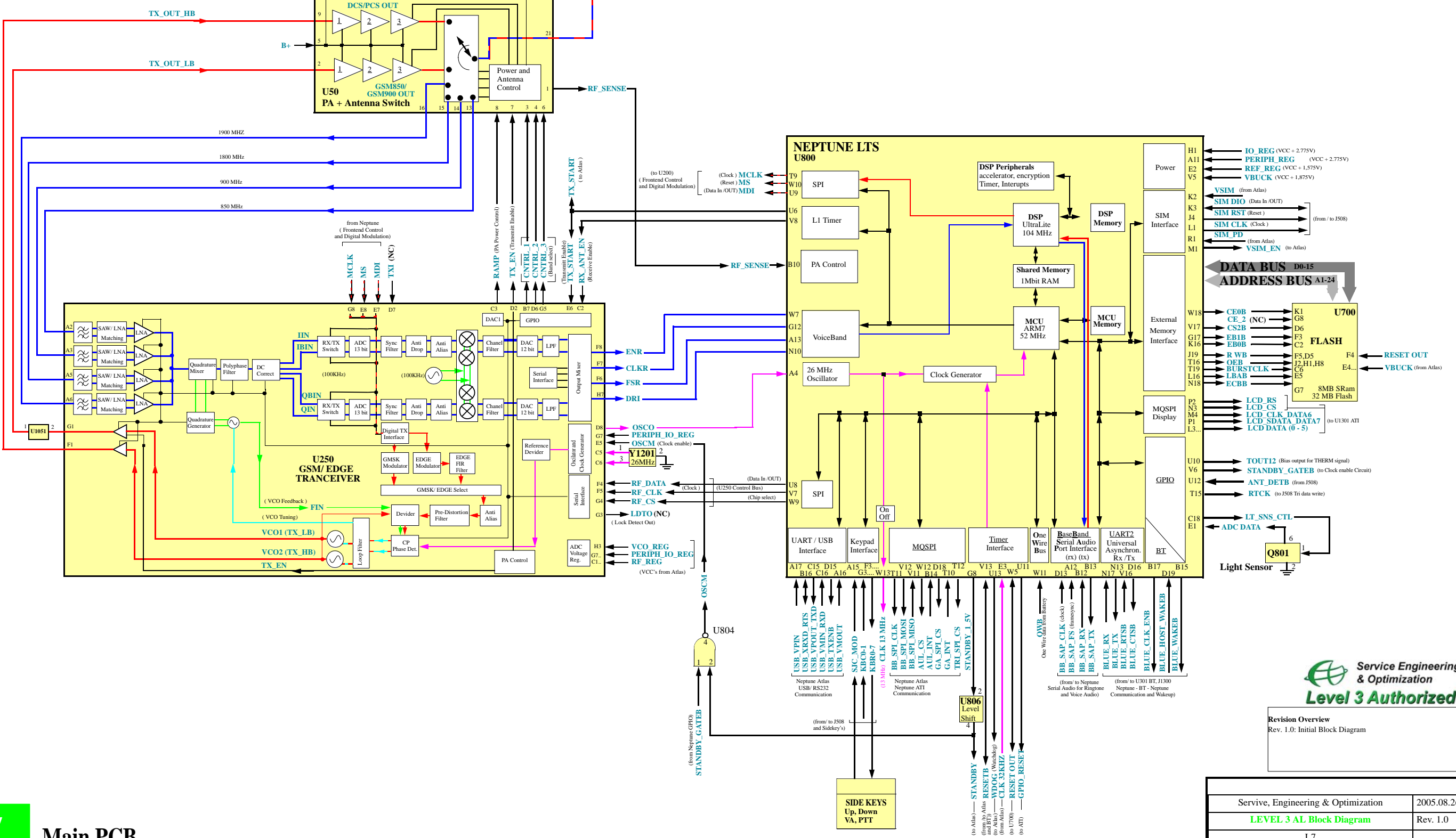


Switch Mode	Vctrl 1	Vctrl 2	Vctrl 3	
GSM850 Rx	0	1	0	
GSM900 Rx	0	0	1	
GSM1800 Rx	0	0	0	
GSM1900 Rx	0	1	1	
DCS: CH 700 -- 1842.8MHz	GSM850/900 Tx	1	0	1/0
PCS: CH 661 -- 1960MHz	GSM1800/1900 Tx	1	1	1/0



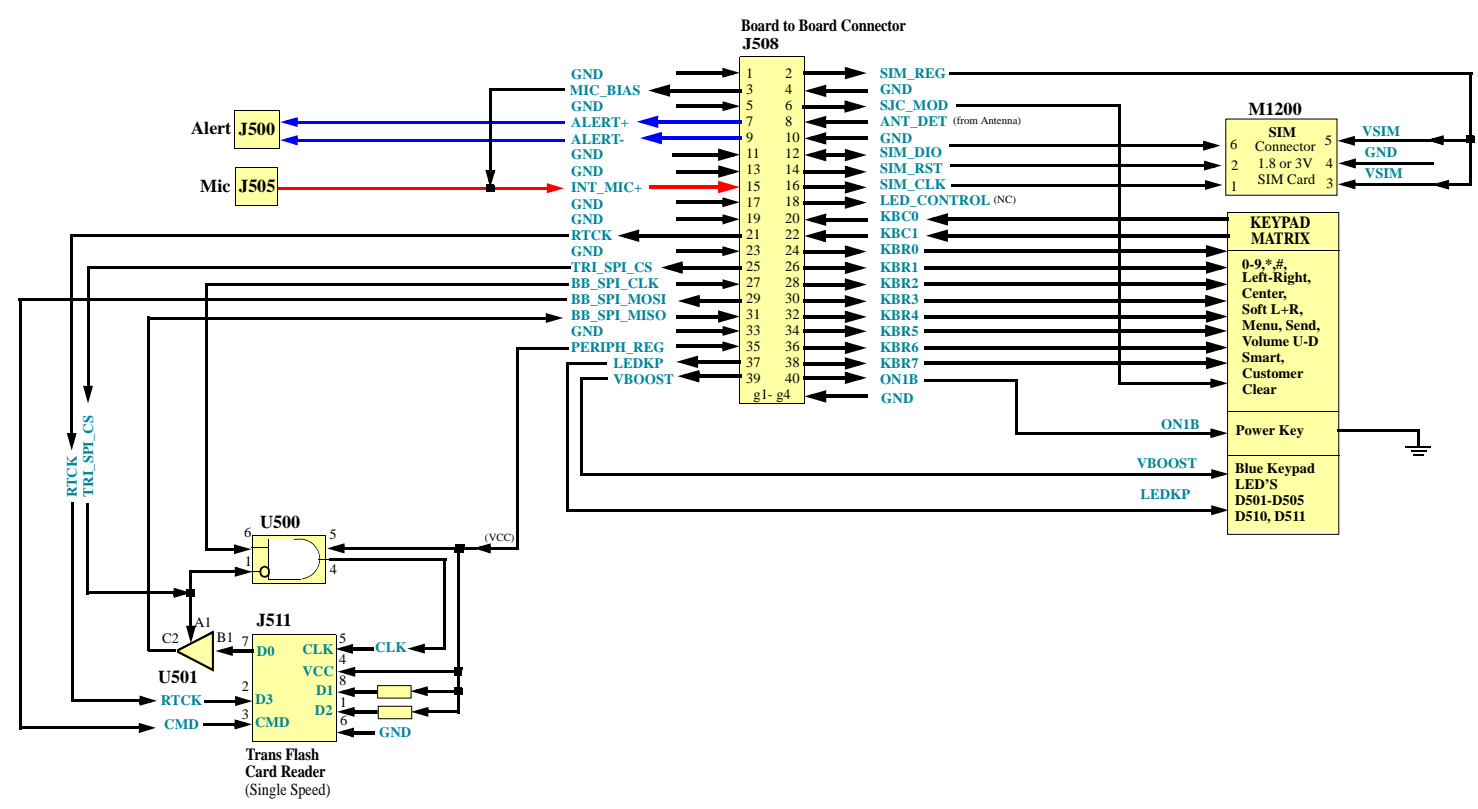
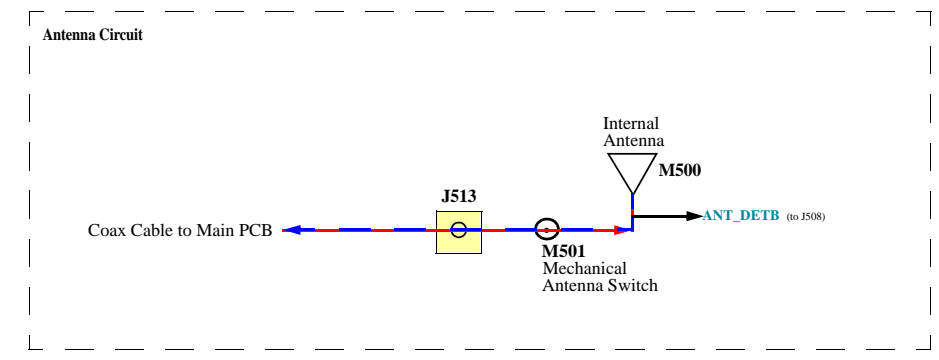
Main PCB

Service Engineering & Optimization
Level 3 Authorized

Revision Overview
Rev. 1.0: Initial Block Diagram

Service, Engineering & Optimization	2005.08.26
LEVEL 3 AL Block Diagram	Rev. 1.0
L7	
Alexander Buehler, Michael Mauderer	Page 1 of 3

Keyboard PCB



Servive, Engineering & Optimization	2005.08.26
LEVEL 3 AL Block Diagram	Rev. 1.0
L7	
Alexander Buehler, Michael Mauderer	Page 3of 3