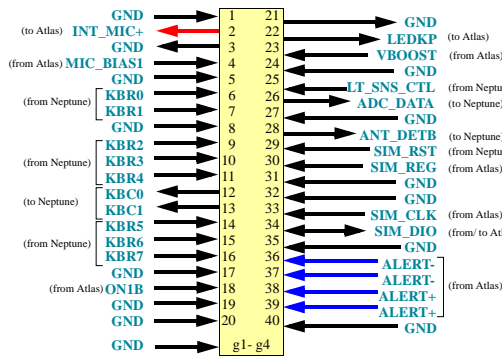


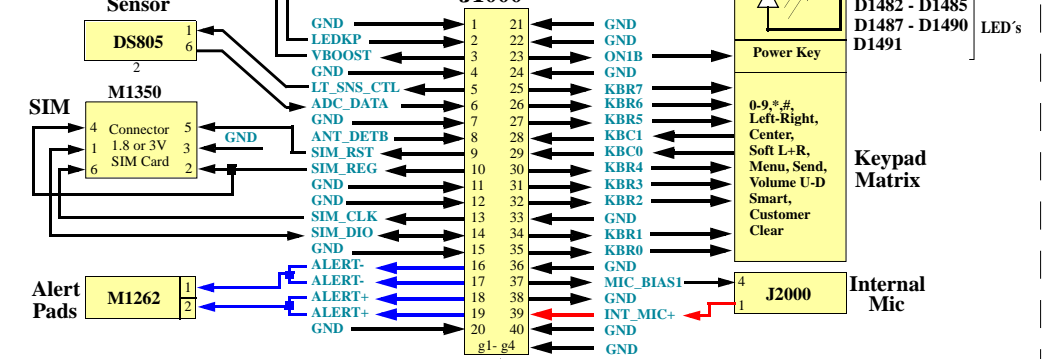
Main Board

KEYBOARD

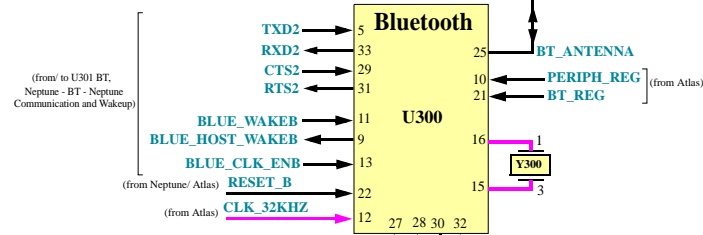
Main Board Connector J1403



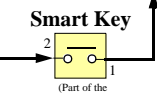
Keyboard Connector J1000



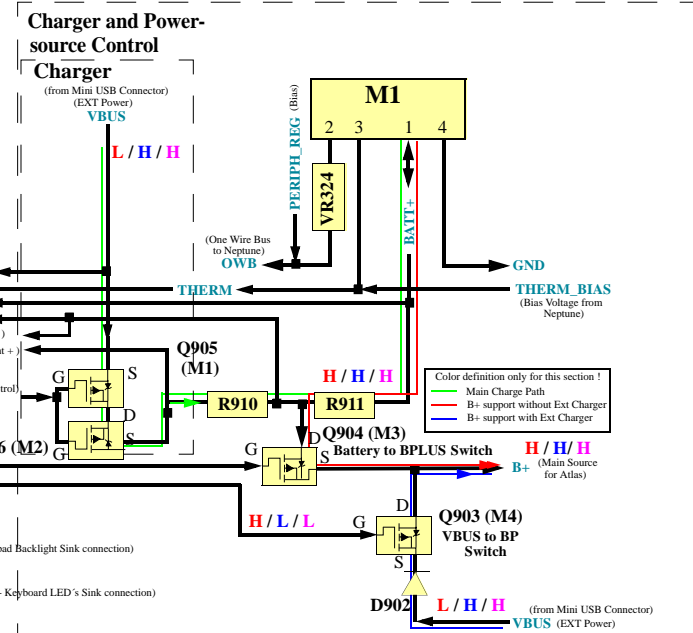
Bluetooth



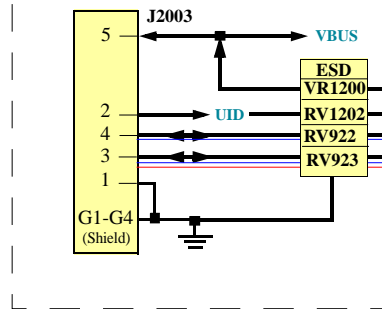
Flexprint - Board to Board



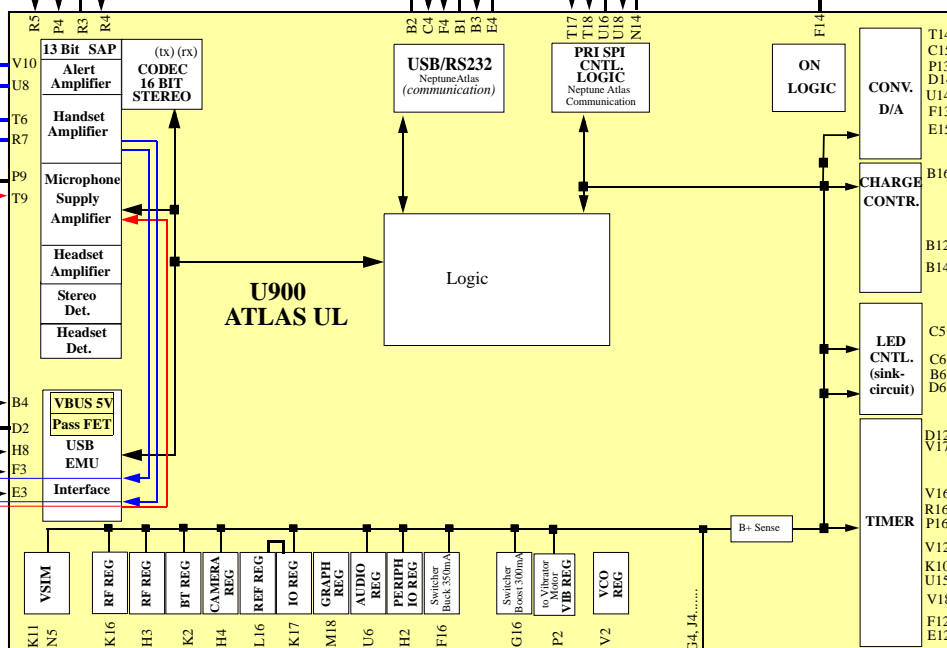
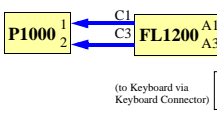
BATT CONN.



Mini USB



Earpiece Connector P1000



Revision Overview
 Rev. 1.0: Initial Block Diagram
 Rev. 1.1: Updated Charger logic levels

L2_L6

GSM SERVICE SUPPORT GROUP	2005.09.12
LEVEL 3 AL Block Diagram	Rev. 1.1
L2_L6	
Michael Mauderer, Alexander Buehler	Page 2of 2