

**L2\_L8\_8471241A01\_P3\_1**

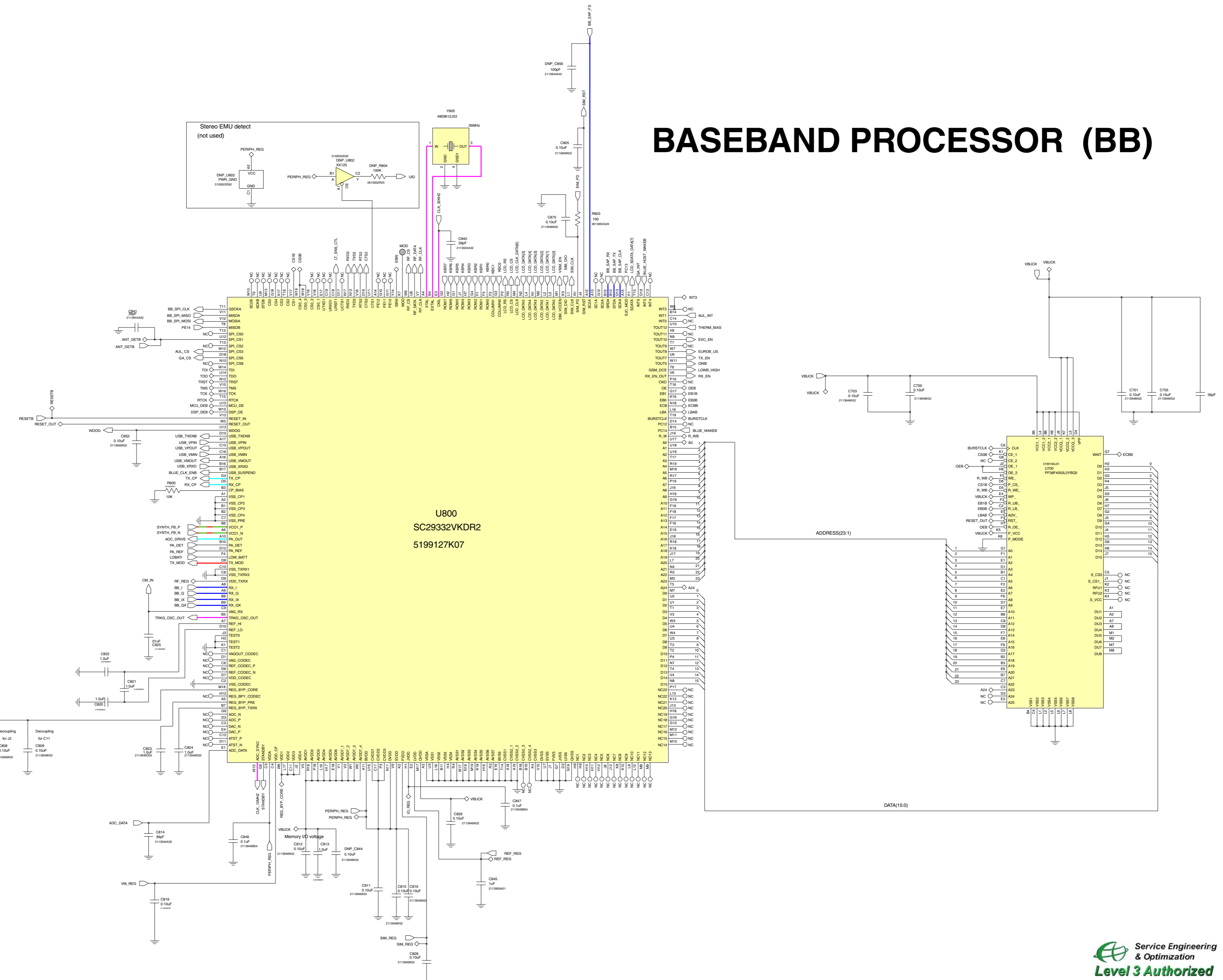
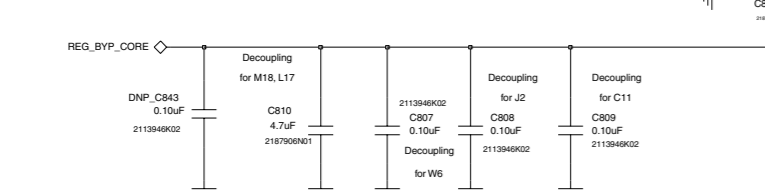


Level 3 Schematics	2005.08.19
L2/L8	Rev. L0
Alexander Buehler, Michael Hansen	8471241A01_P3.1
	Page 1 of 7

# BASEBAND PROCESSOR (BB)

## JTAG TESTPOINTS

- TP\_TRST TRST
- TP\_TDI TDI
- TP\_TDO TDO
- TP\_TMS TMS
- TP\_TCK TCK
- TP\_RTCK RTCK
  
- TP\_WDOG WDOG
- TP\_IO\_REG IO\_REG
- TP\_MCU\_DEB MCU\_DEB
- TP\_DSP\_DEB DSP\_DEB
- TP\_RESETB RESETB
- INT3 INT3
- EBW EBW
- TP\_GND GND
- CS0B CS0B
- CS1B CS1B
  
- TP\_R\_WB R\_WB
- TP\_OEB OEB



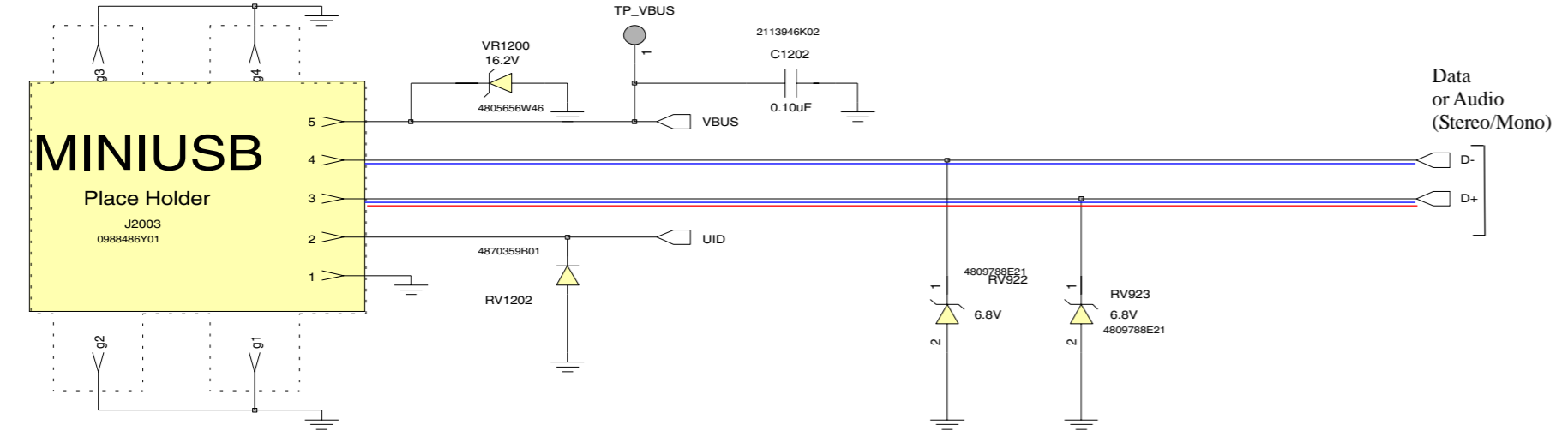
L2\_L8\_8471241A01\_P3\_1

Service Engineering & Optimization  
Level 3 Authorized

2005.08.19
Rev. 1.0
8471241A01_P3.1
Page 1 of 7

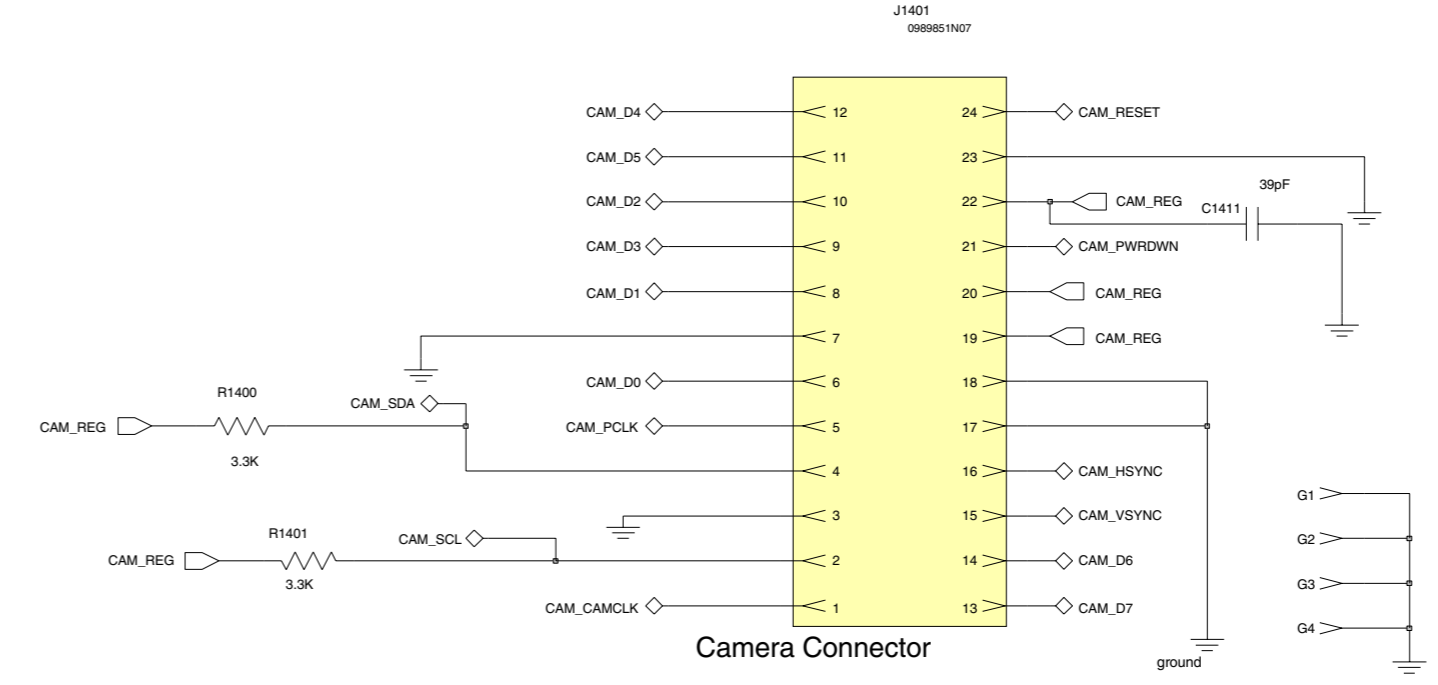




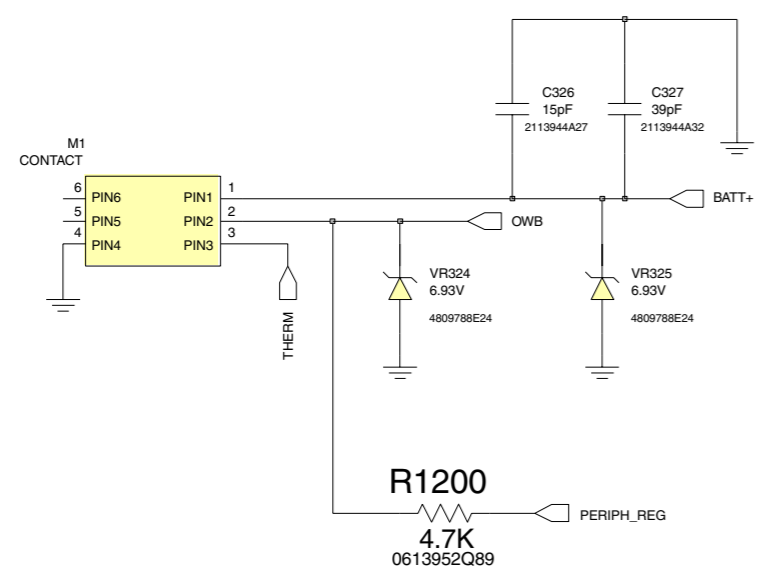


**EMU Conn**

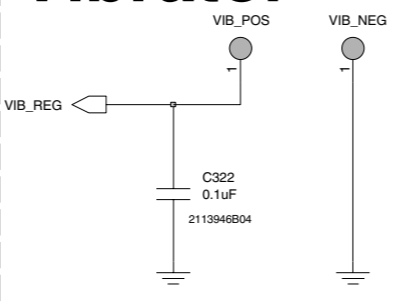
**Camera\_Conn**



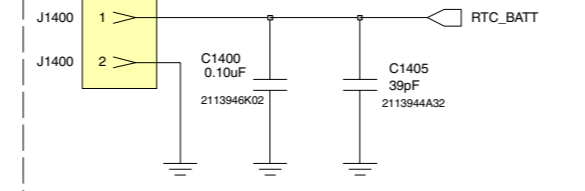
**BATTERY**



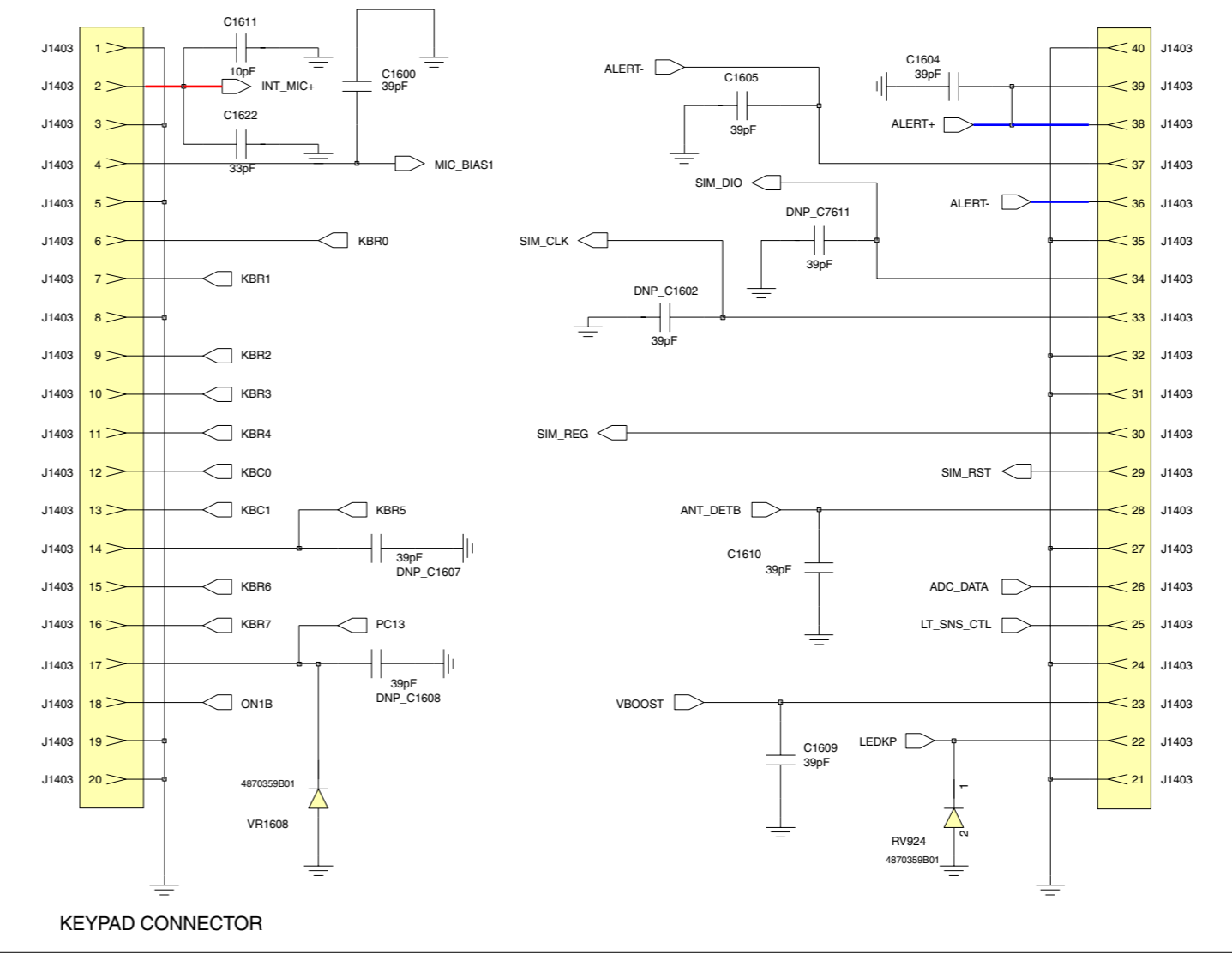
**Vibrator**



**RTB Conn**

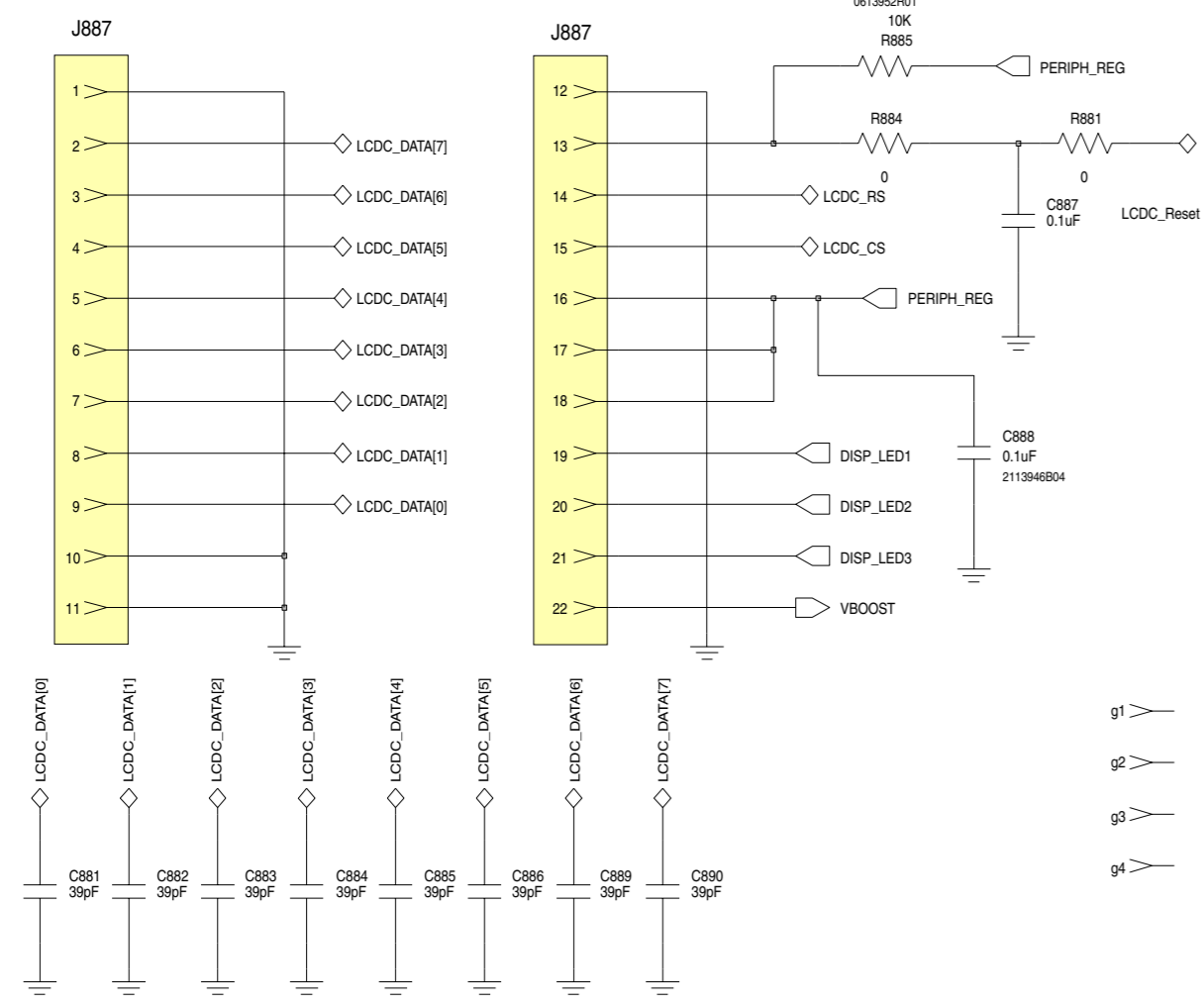
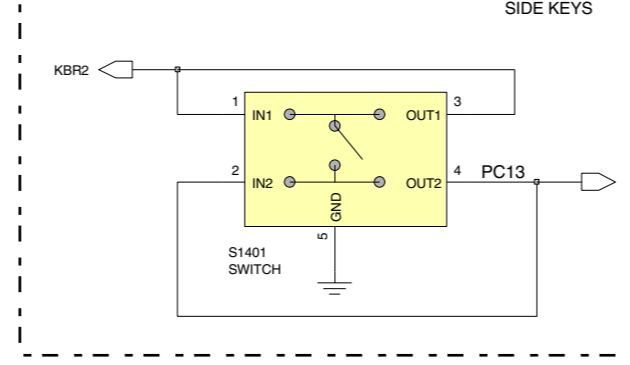


**Main Board Conn**



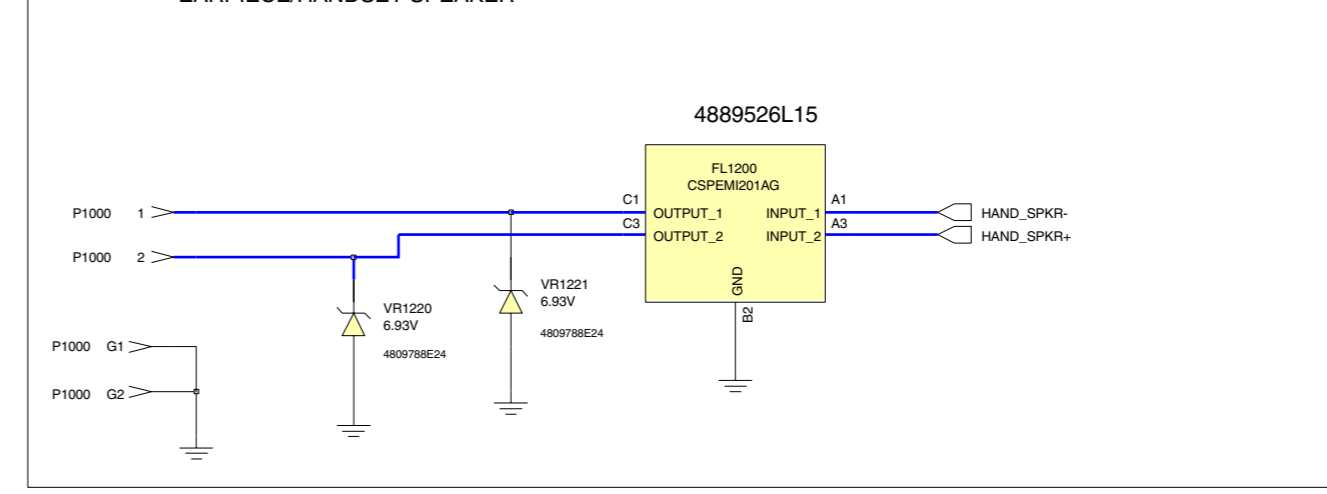
**KEYPAD CONNECTOR**

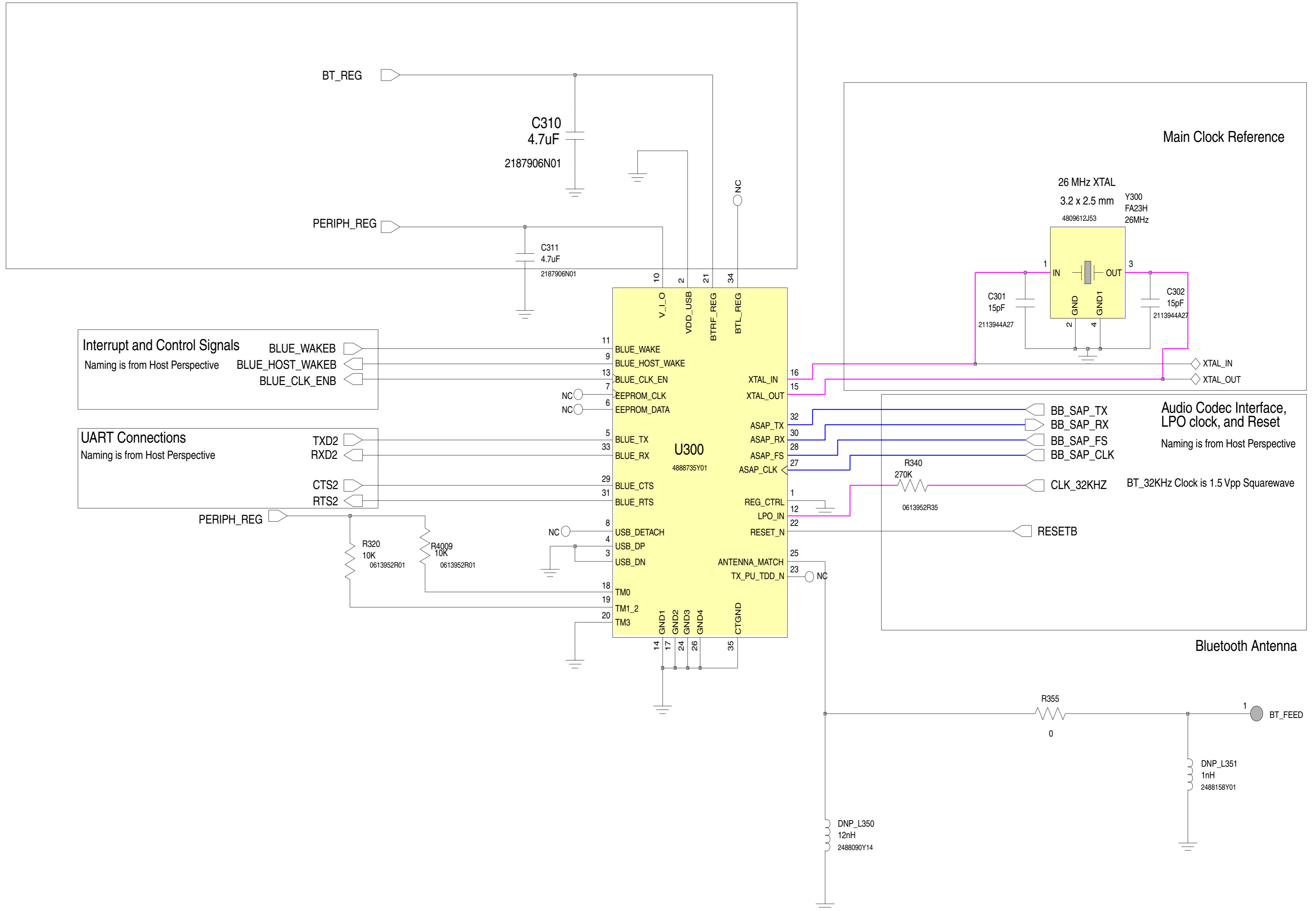
**PTT/CAMERA SIDE KEYS**

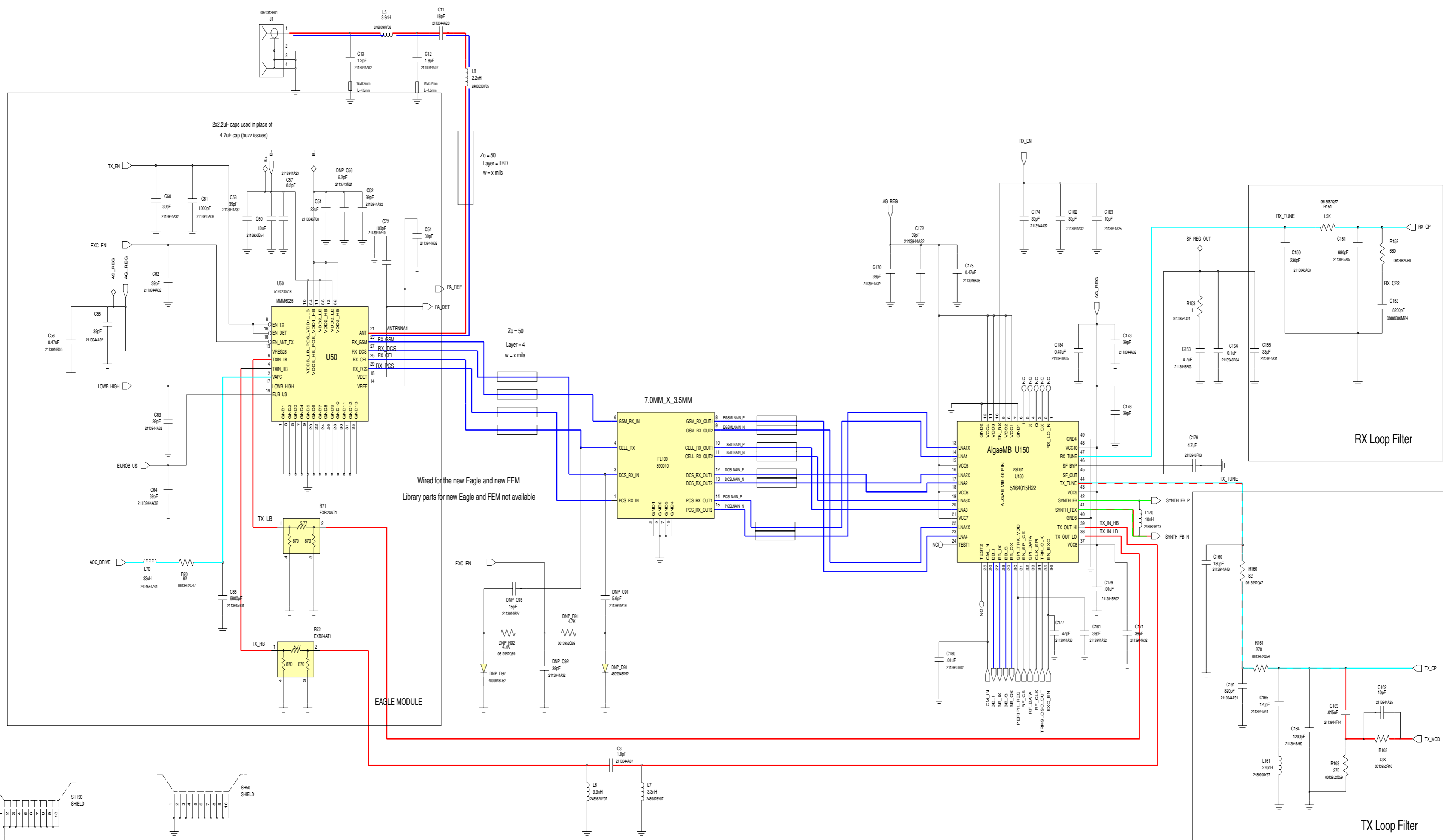


**LCD\_Conn**

**EARPIECE/HANDSET SPEAKER**



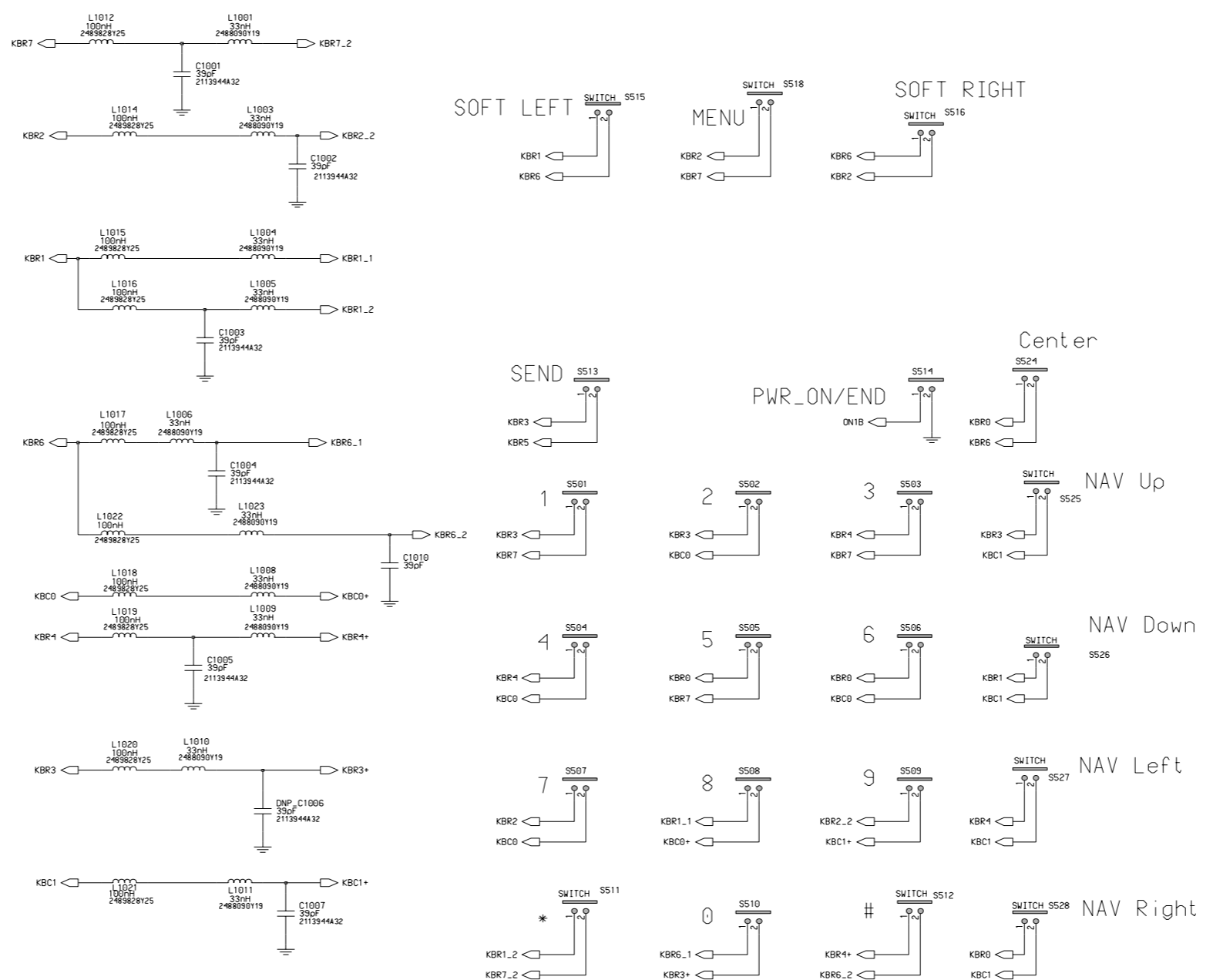
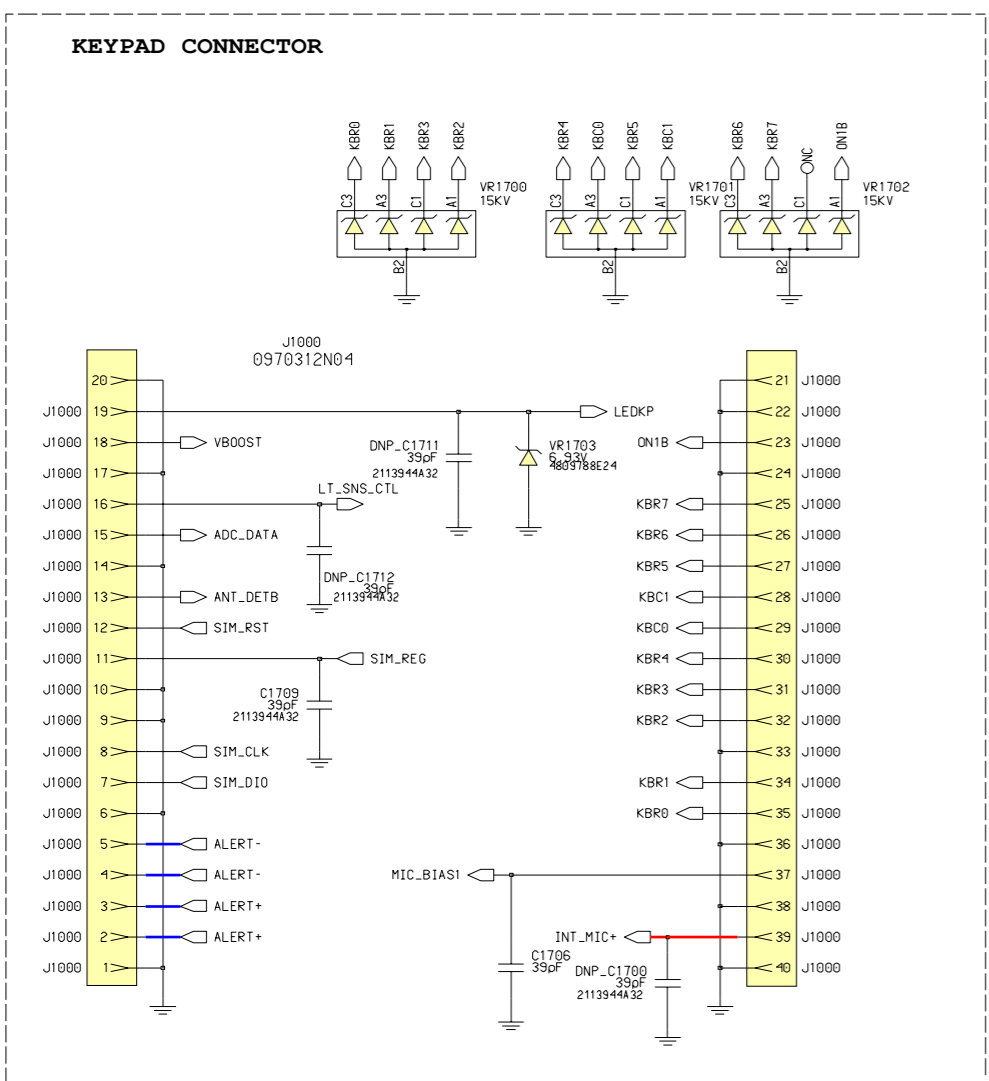
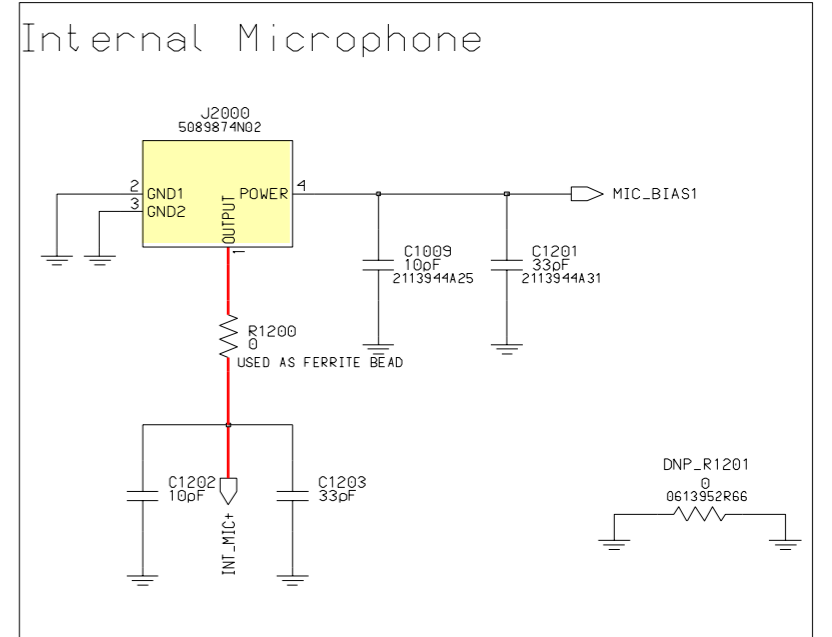
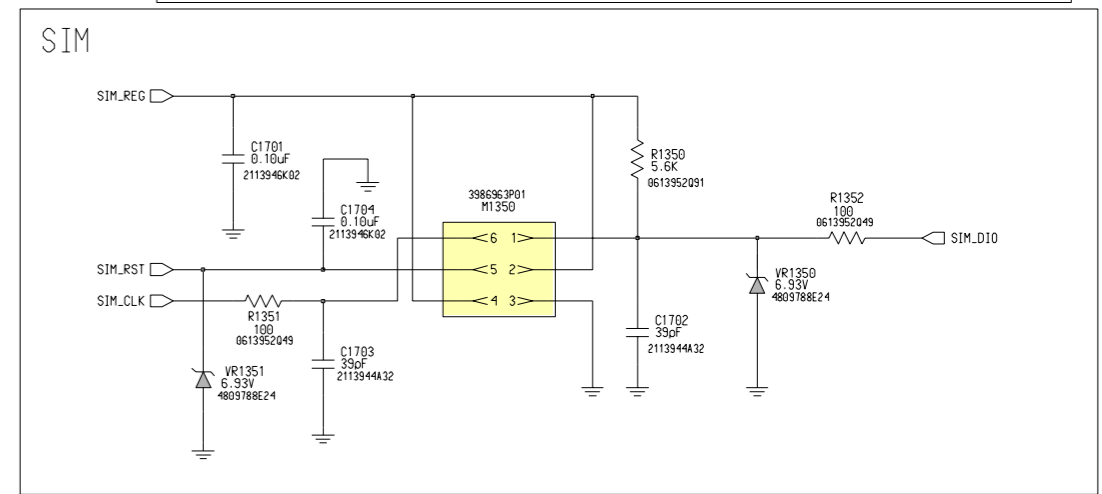
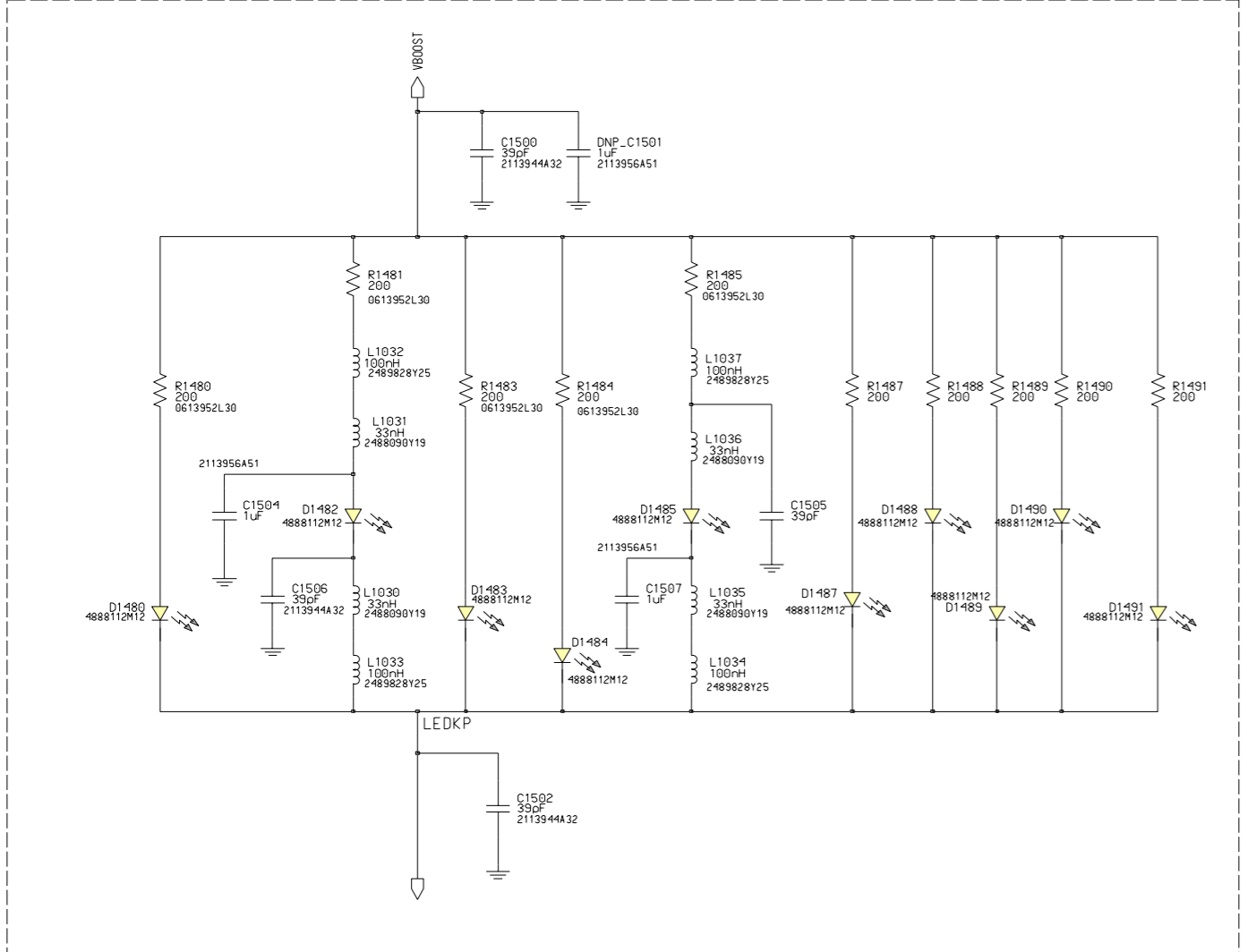
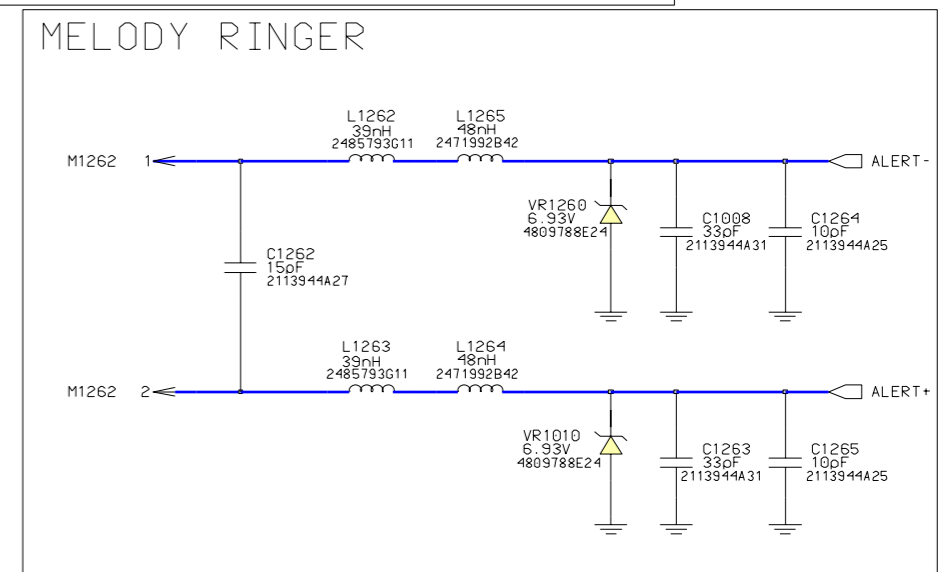
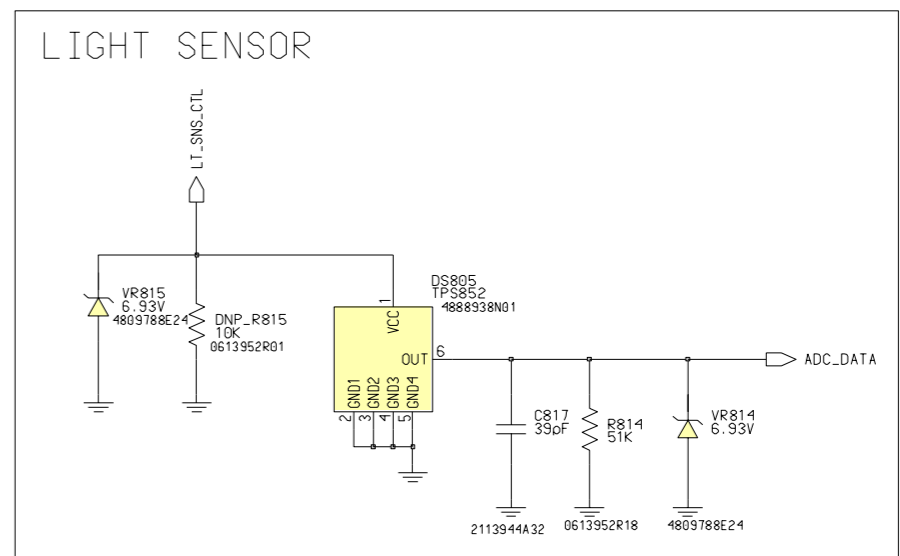
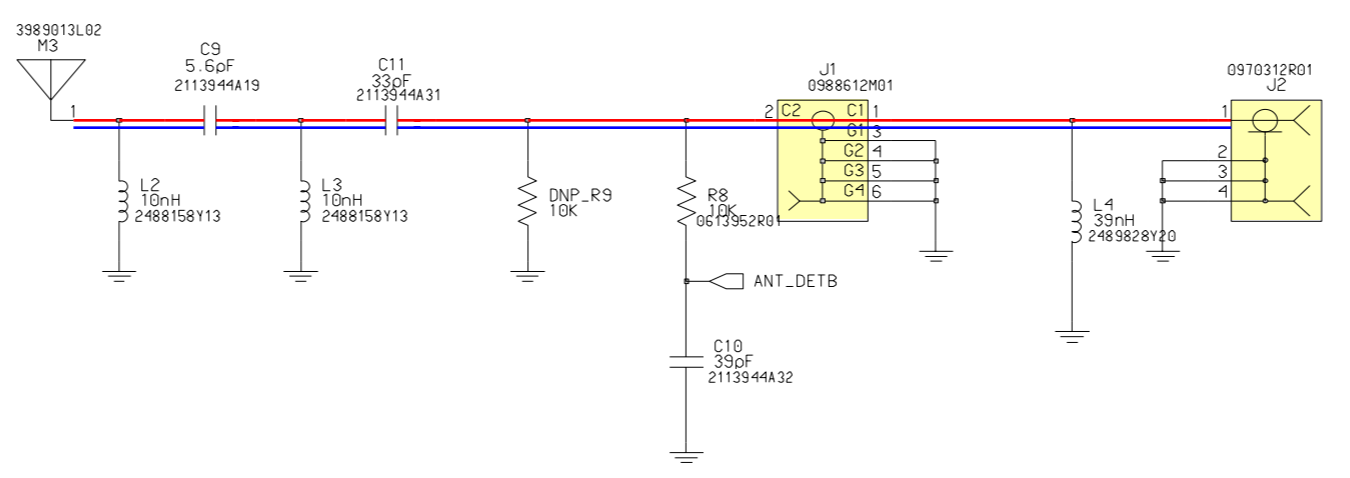
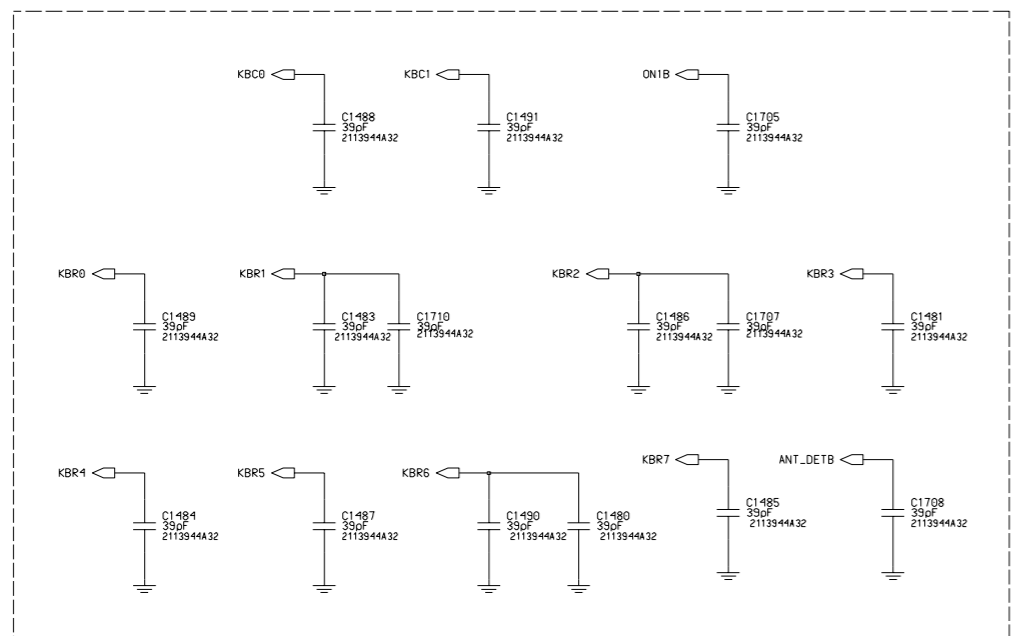




L2\_L8\_8471241A01\_P3\_1

Service Engineering & Optimization  
Level 3 Authorized

Level 3 Schematics	2005.08.19
L2_L8	Rev. 1.0
Alexander Buchler, Michael Hansen	8471241A01_P3.1
	Page 1 of 7



Service Engineering & Optimization  
Level 3 Authorized

2005.08.19
Rev. 1.0
Level 3 Schematics
L2/L8
8471241A01_P3.1
Alexander Buehler, Michael Hansen
Page 1 of 7

L2\_L8\_8471241A01\_P3\_1