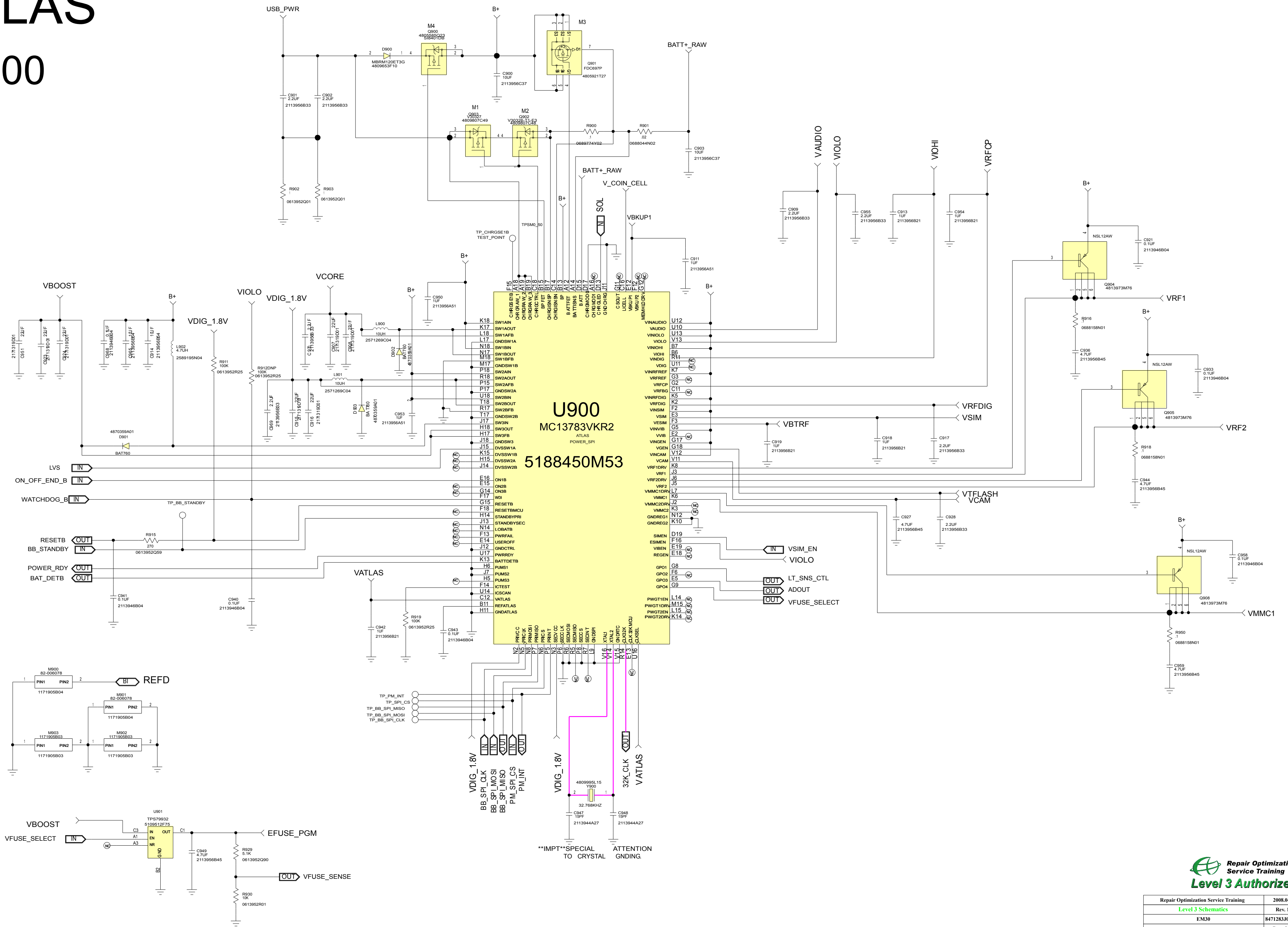


ATLAS

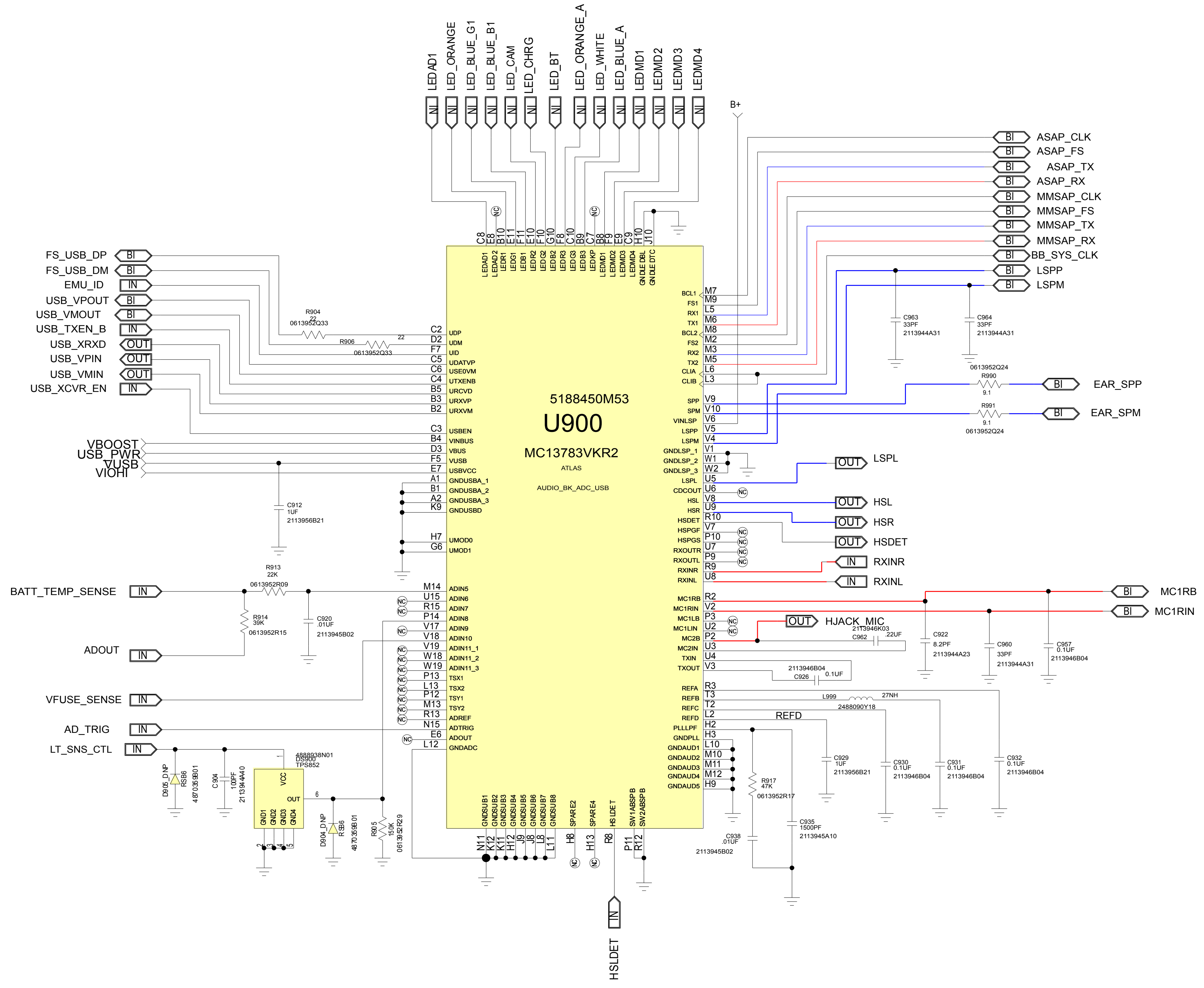
U900



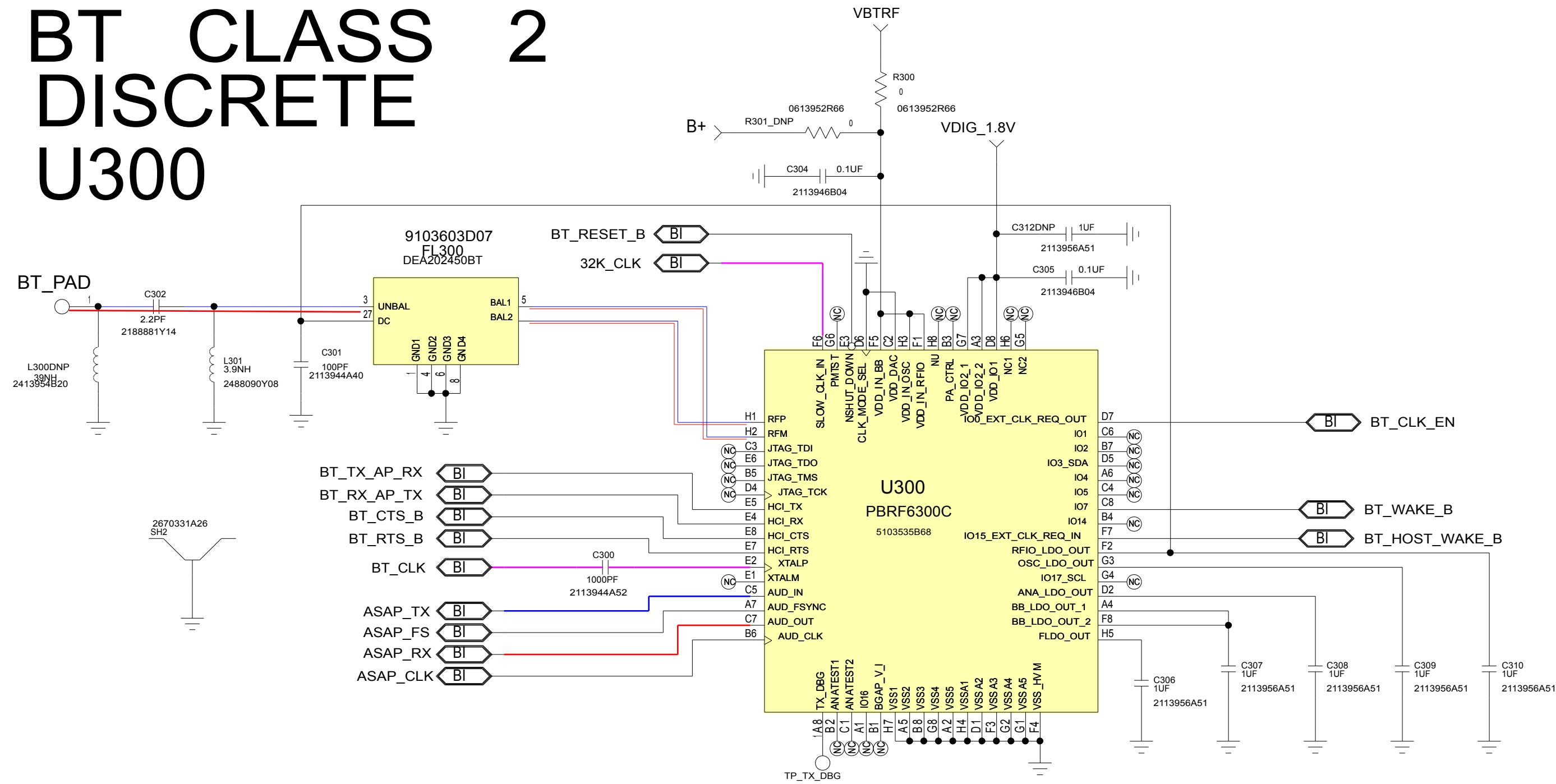
EM30_8471283J01_P2.3



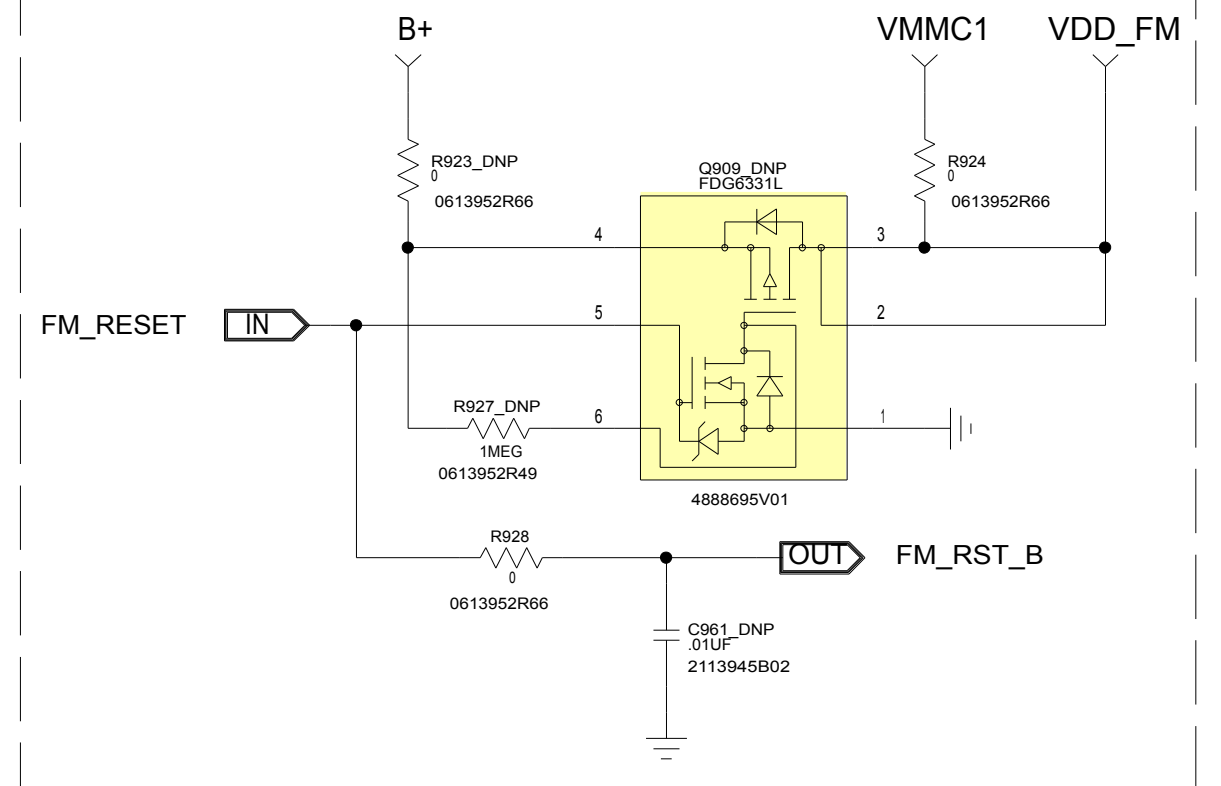
Repair Optimization Service Training	2008.04.11
Level 3 Schematics	Rev. 1.0
EM30	8471283J01_p2.3
	Page 3 of 8



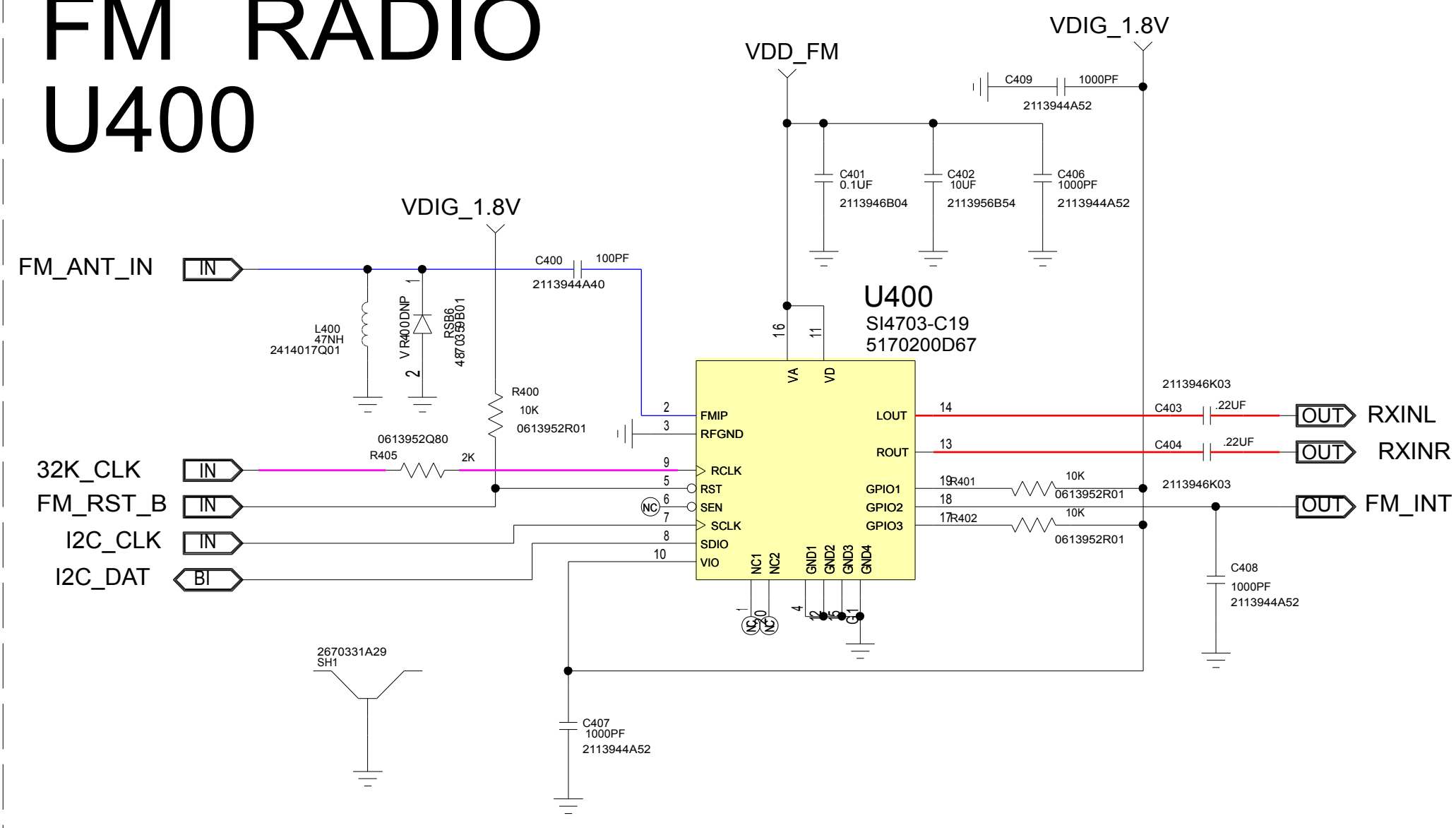
BT CLASS 2 DISCRETE U300



FM SUPPLY



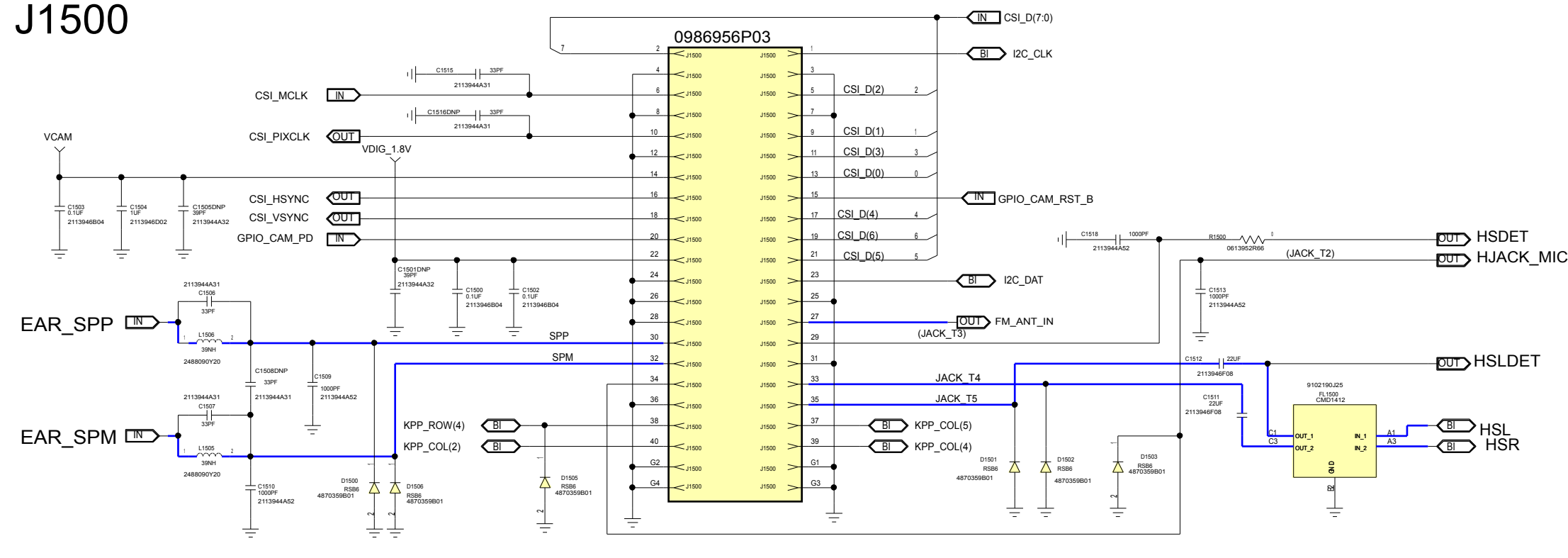
FM RADIO U400



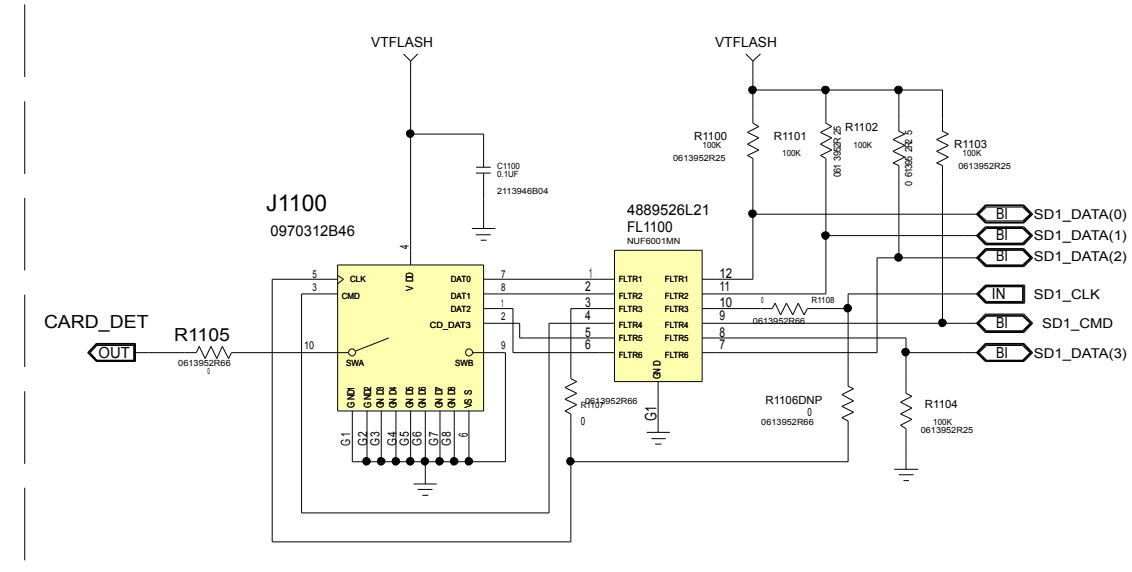
EM30_8471283J01_P2.3

PERSONNEL FLEX

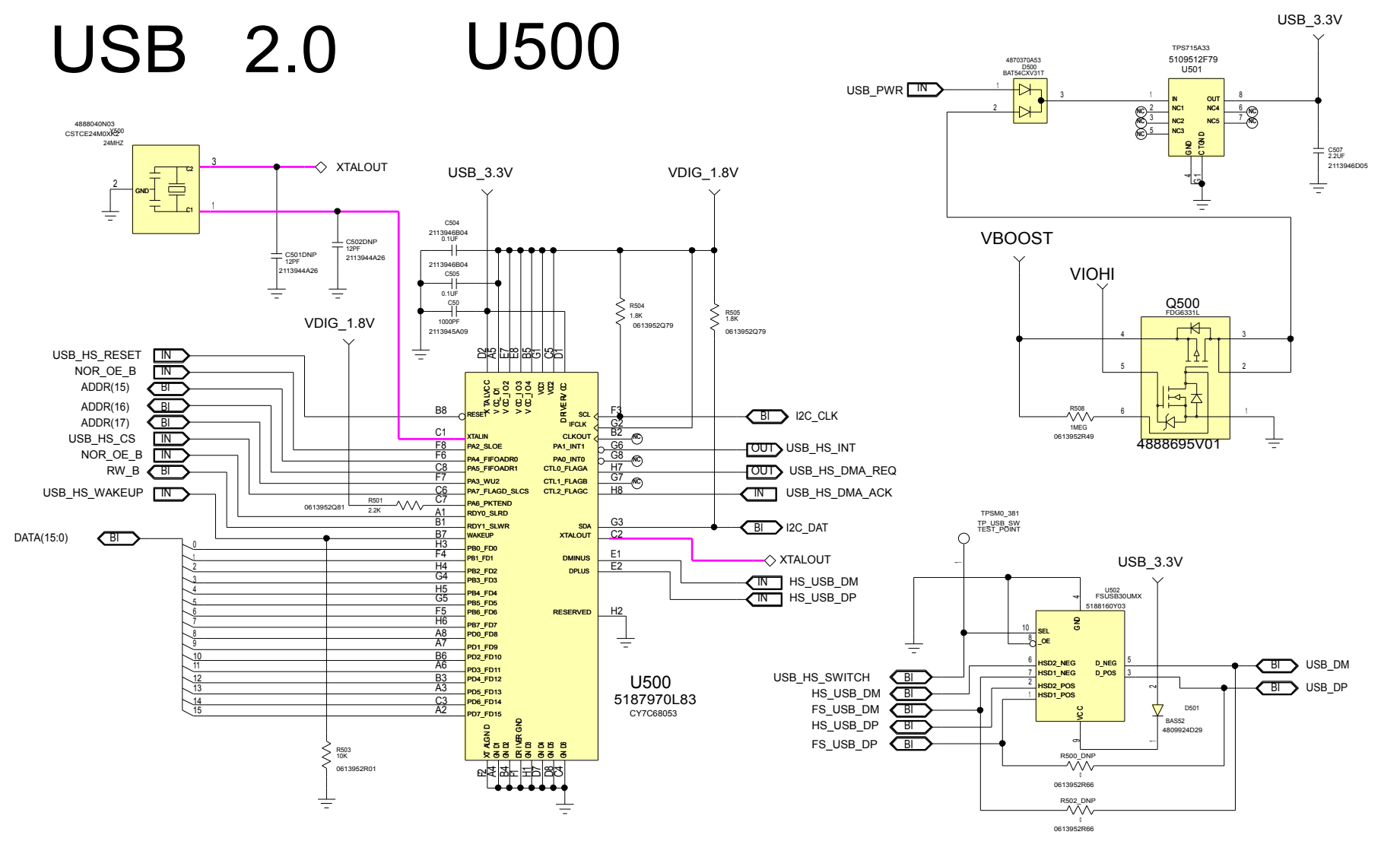
J1500



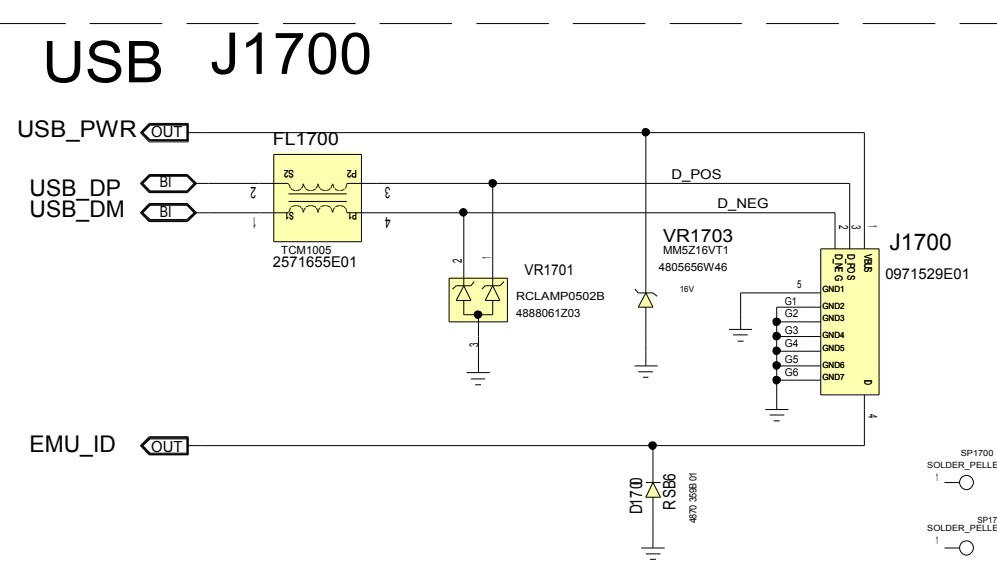
MICRO SD J1100



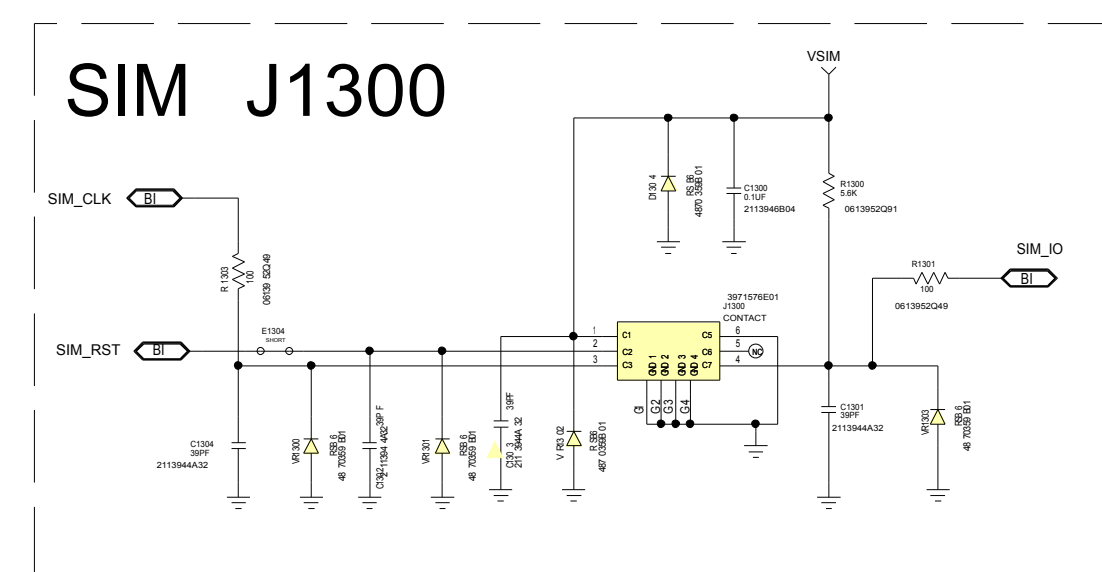
USB 2.0 U500



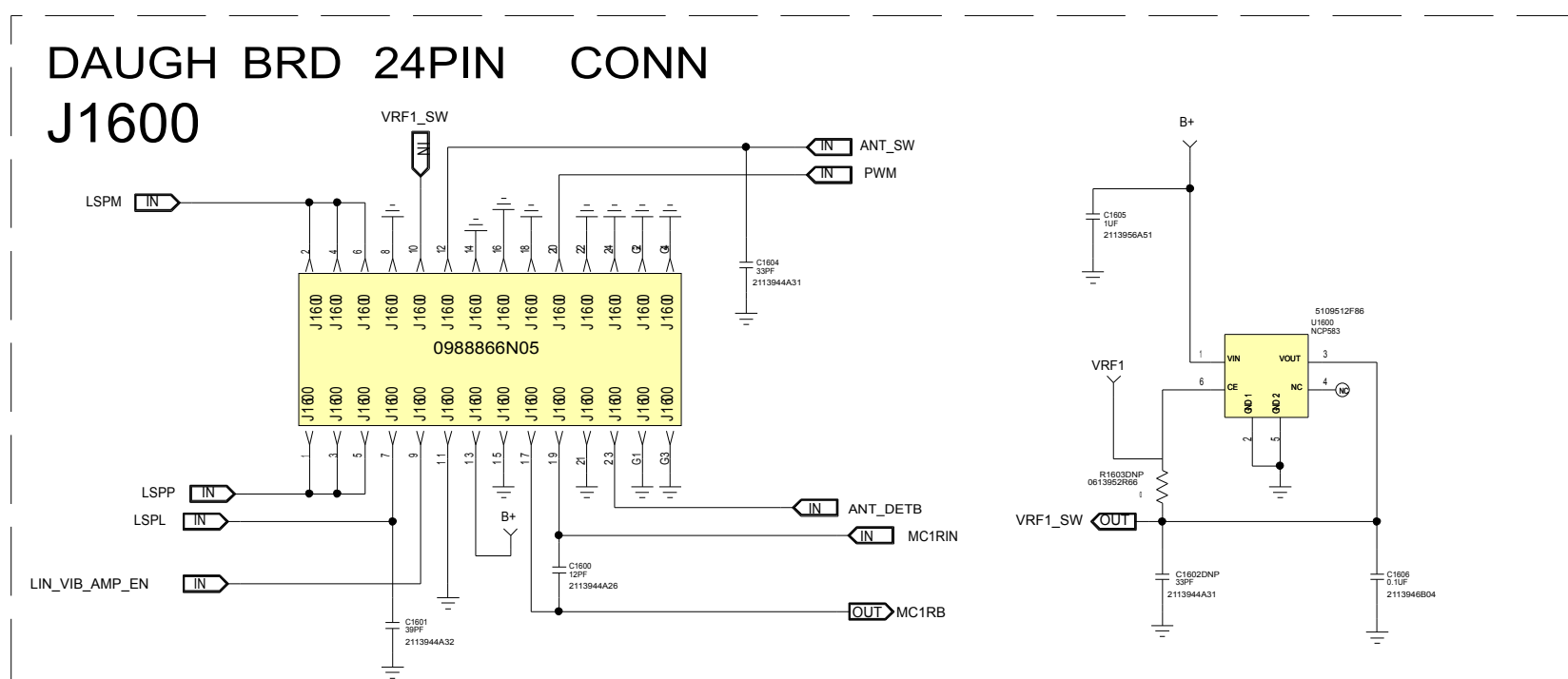
USB J1700



SIM J1300



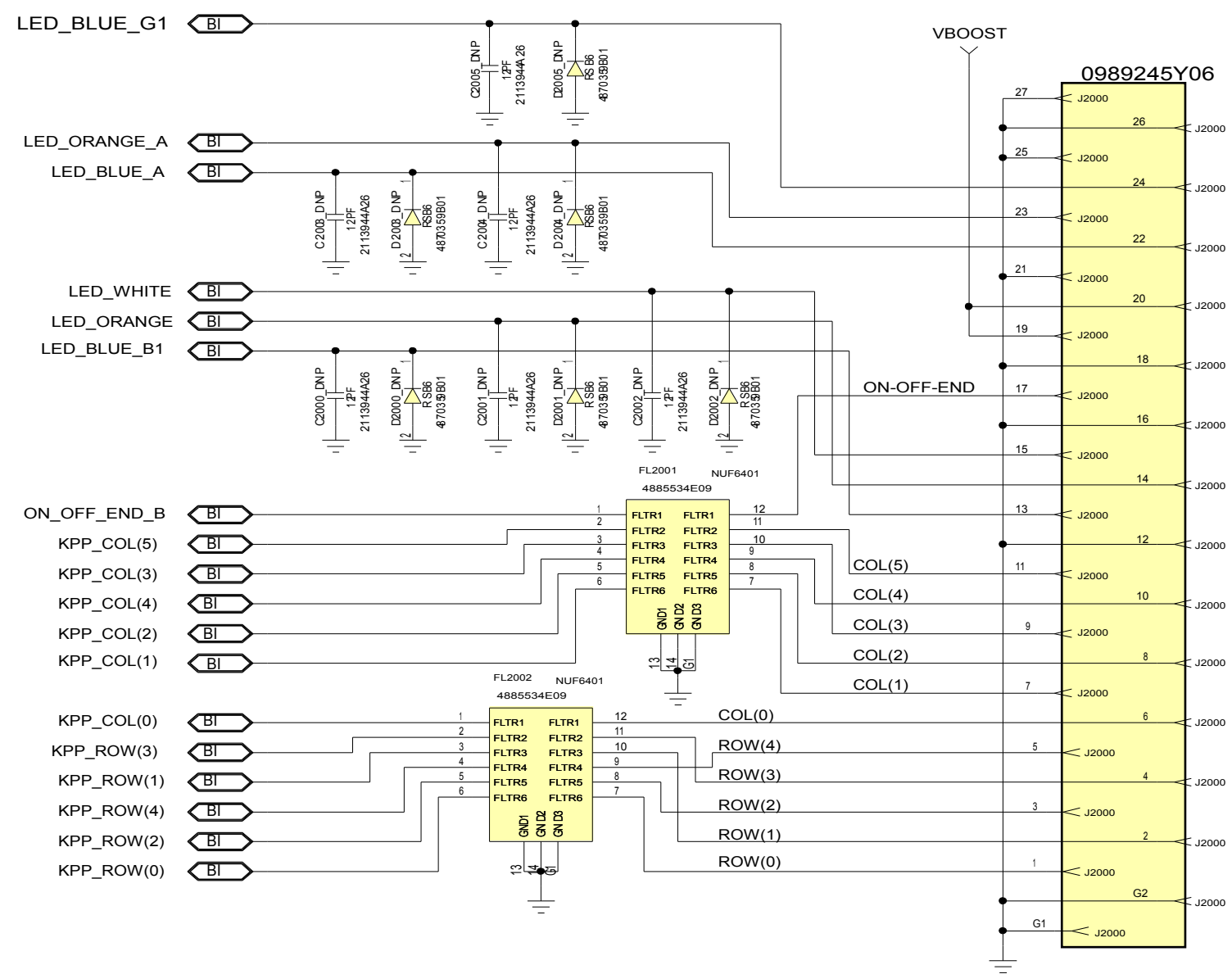
DAUGH BRD 24PIN CONN J1600



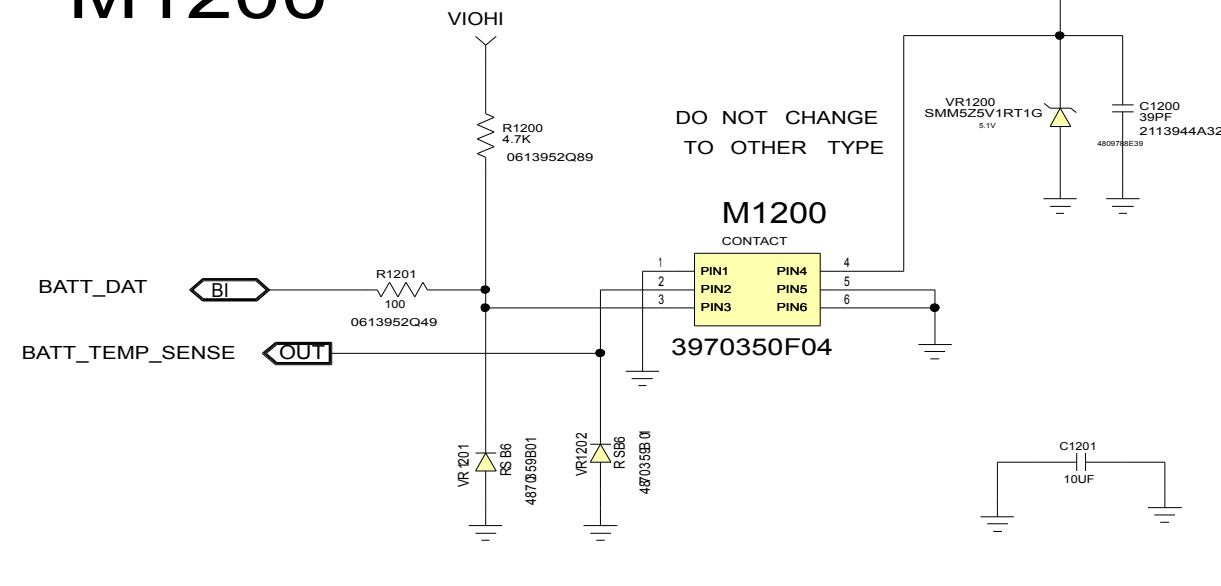
EM30_8471283J01_P2.3



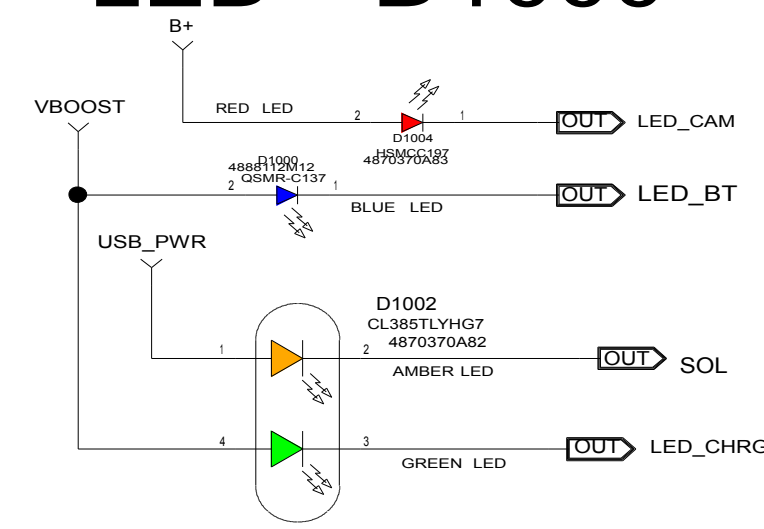
27 PIN KEYPAD FPC J2000



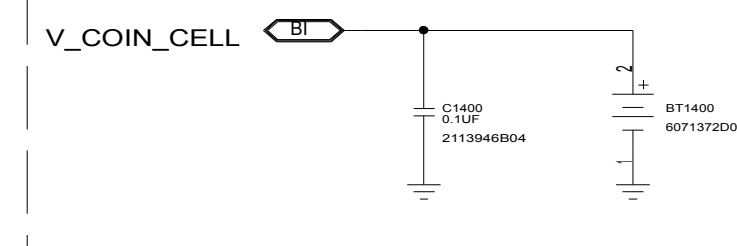
BATTERY CONN M1200



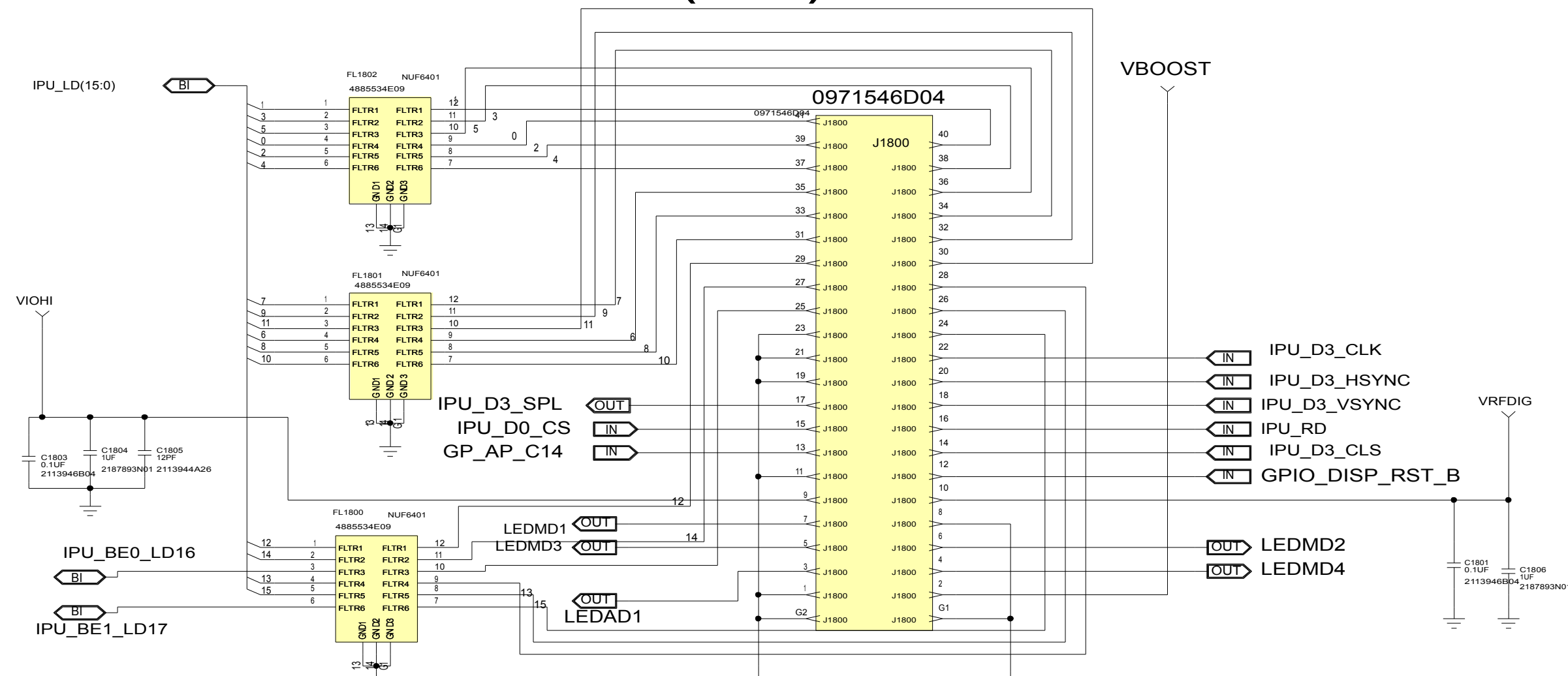
LED D1000



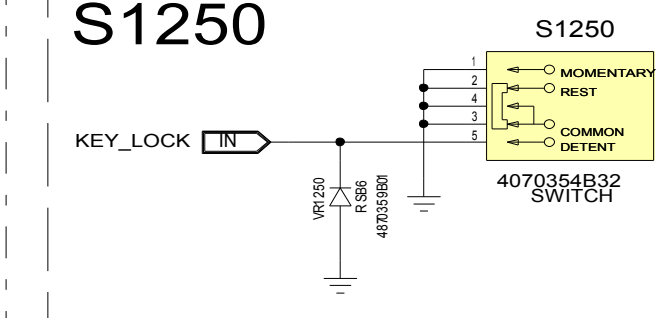
BACKUP CELL BT1400



MAIN DISPLAY (ZIF) J1800



SLIDE SWITCH S1250



EM30_8471283J01_P2.3