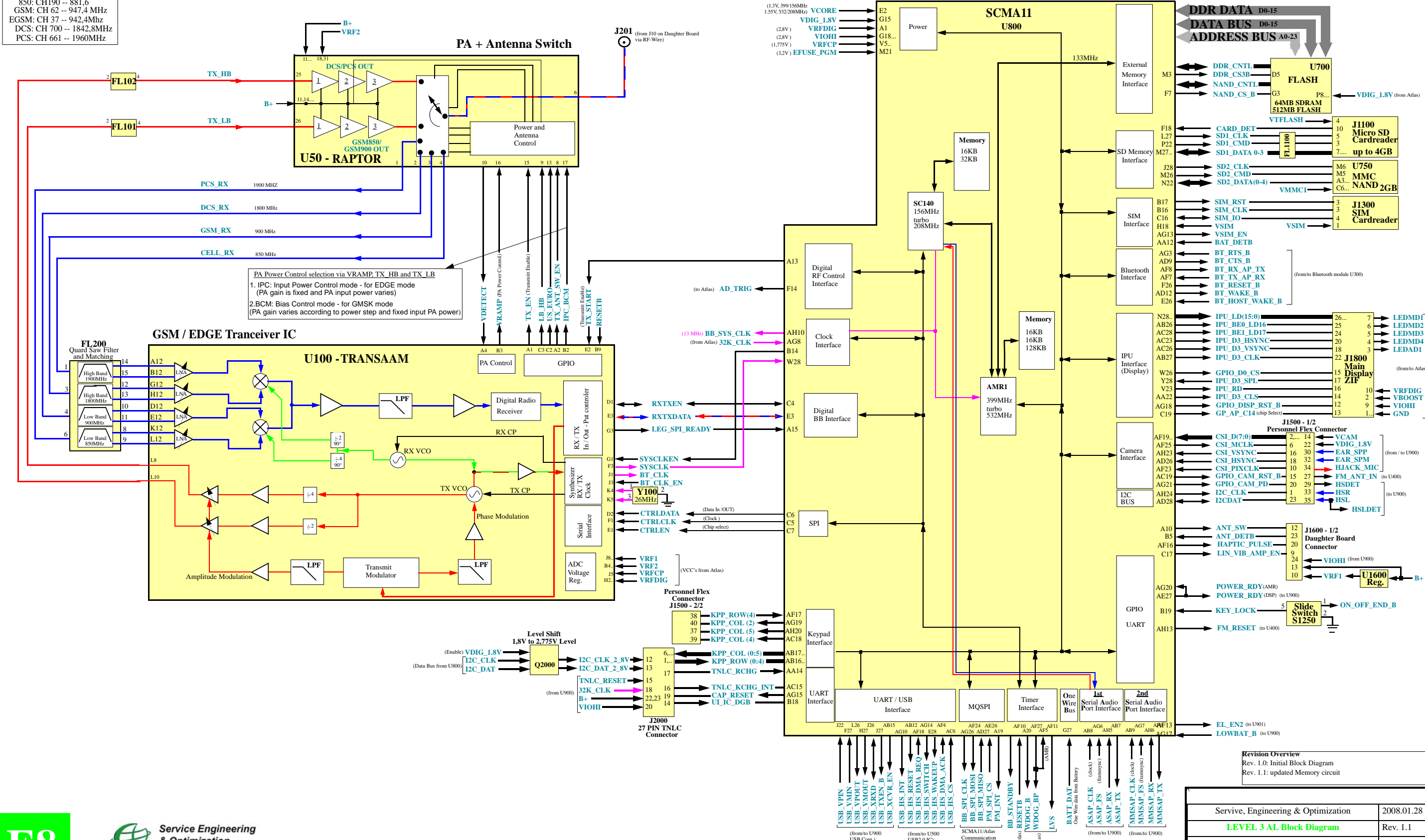


RX MID CHANNELS
 850: CH190 -- 881.6
 GSM: CH 37 -- 947.4MHz
 EGSM: CH 37 -- 942.4MHz
 DCS: CH 700 -- 1842.8MHz
 PCS: CH 661 -- 1960MHz

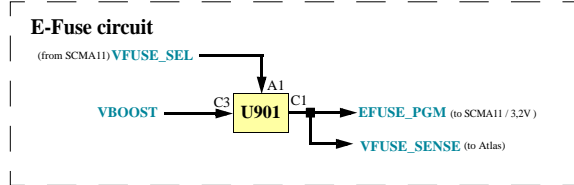


PA Power Control selection via VRAMP, TX_HB and TX_LB
 1. IPC: Input Power Control mode - for EDGE mode
 (PA gain is fixed and PA input power varies)
 2. BCM: Bias Control mode - for GSM mode
 (PA gain varies according to power step and fixed input PA power)

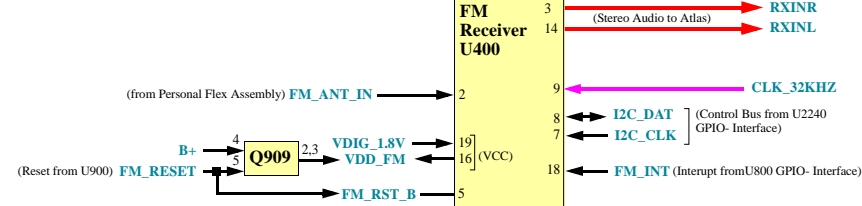
Revision Overview
 Rev. 1.0: Initial Block Diagram
 Rev. 1.1: updated Memory circuit

Service, Engineering & Optimization	2008.01.28
LEVEL 3 AL Block Diagram	Rev. 1.1
E8	
	Page 1 of 2

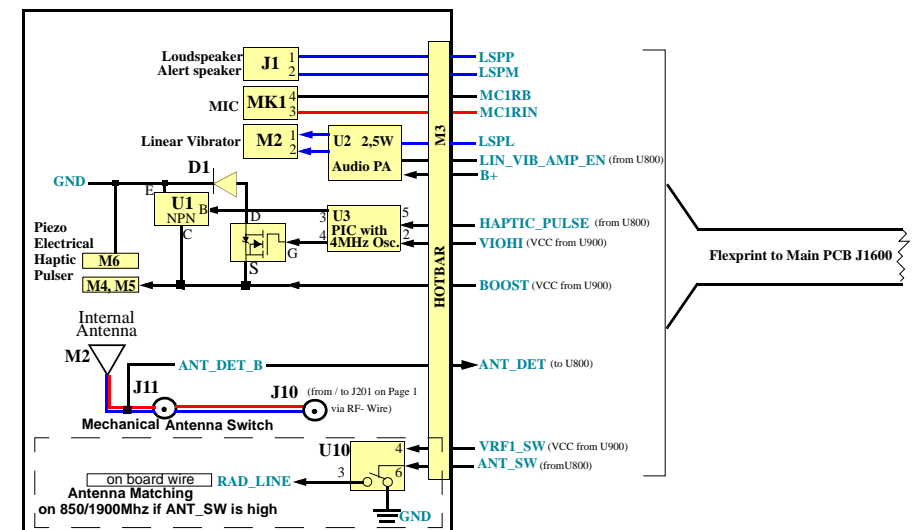




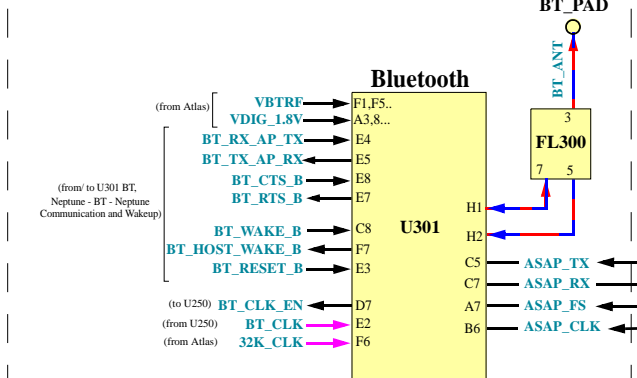
FM- Receiver



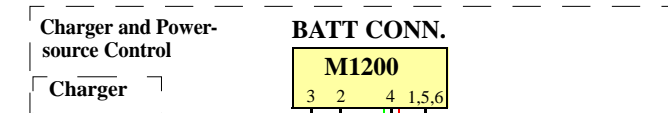
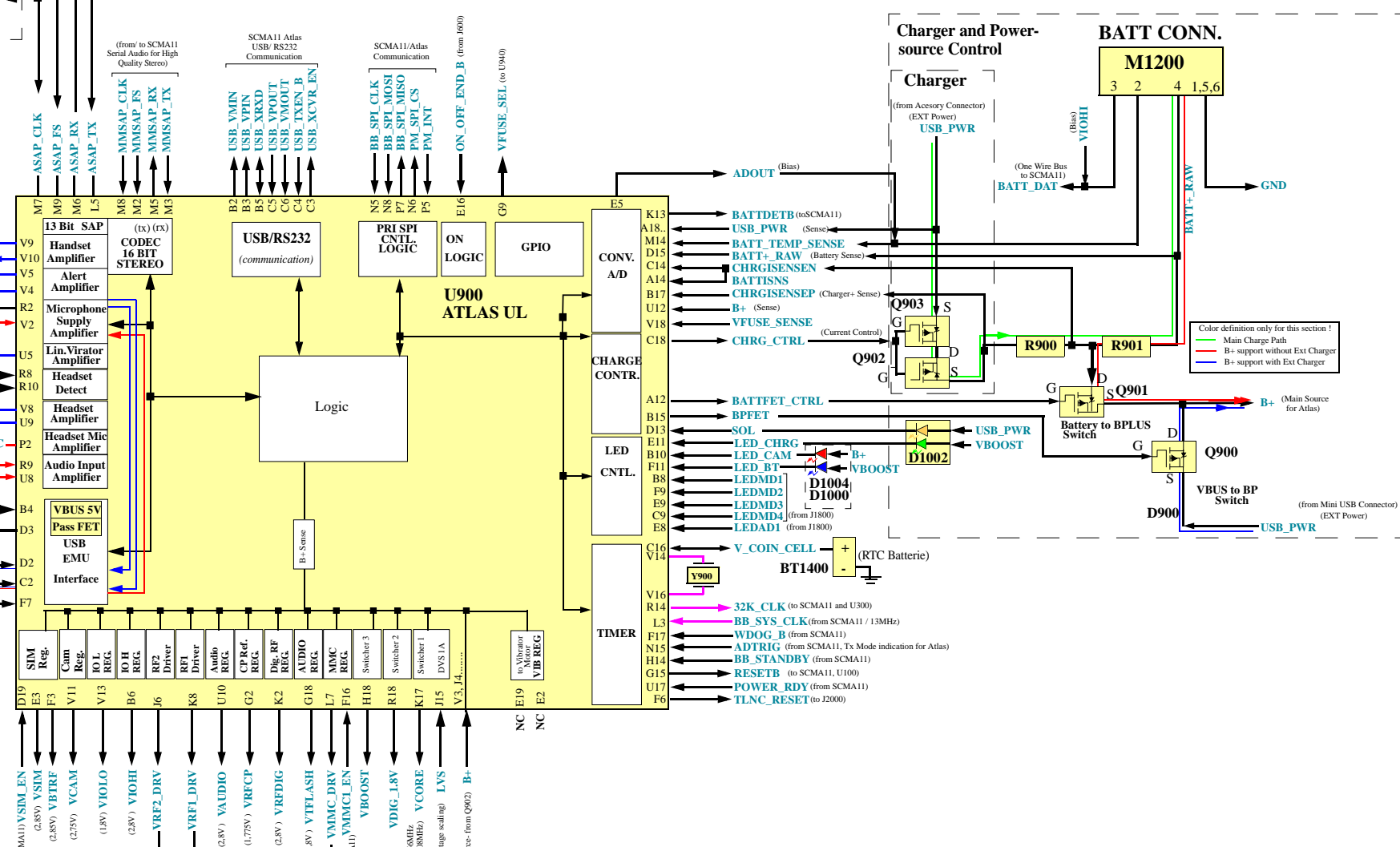
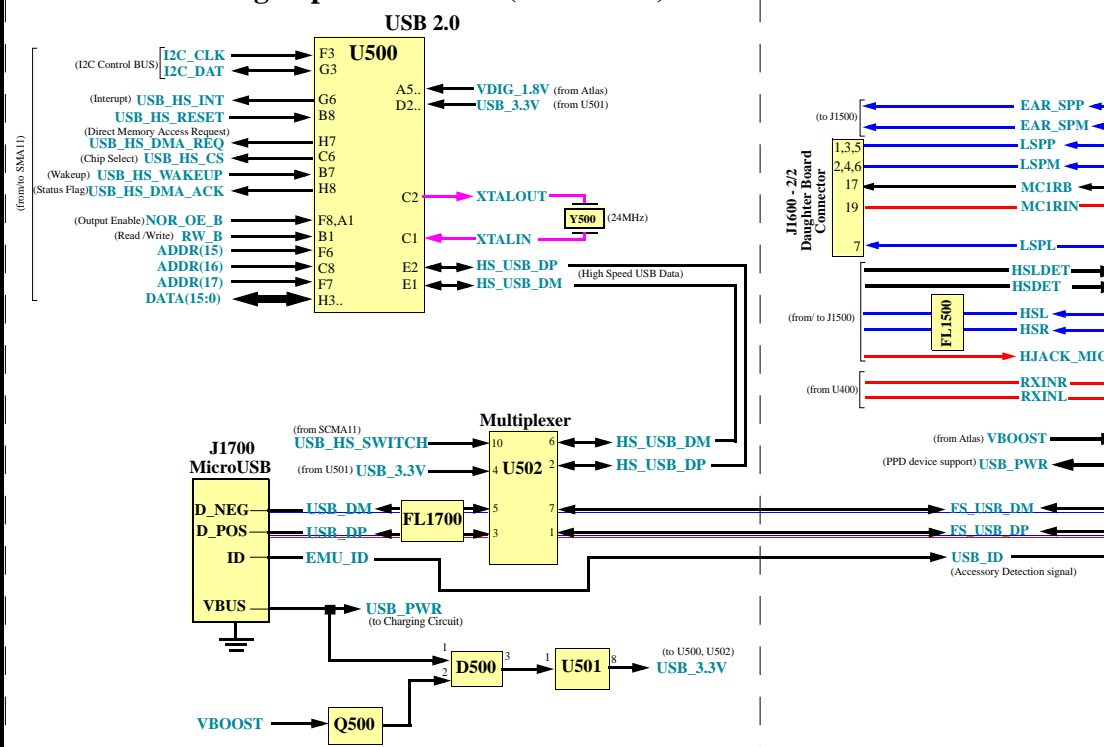
Daughter Board



Bluetooth



USB - Fast and High Speed Interface (1.1 and 2.0)



Revision Overview
 Rev. 1.0: Initial Block Diagram
 Rev. 1.1: updated Memory circuit