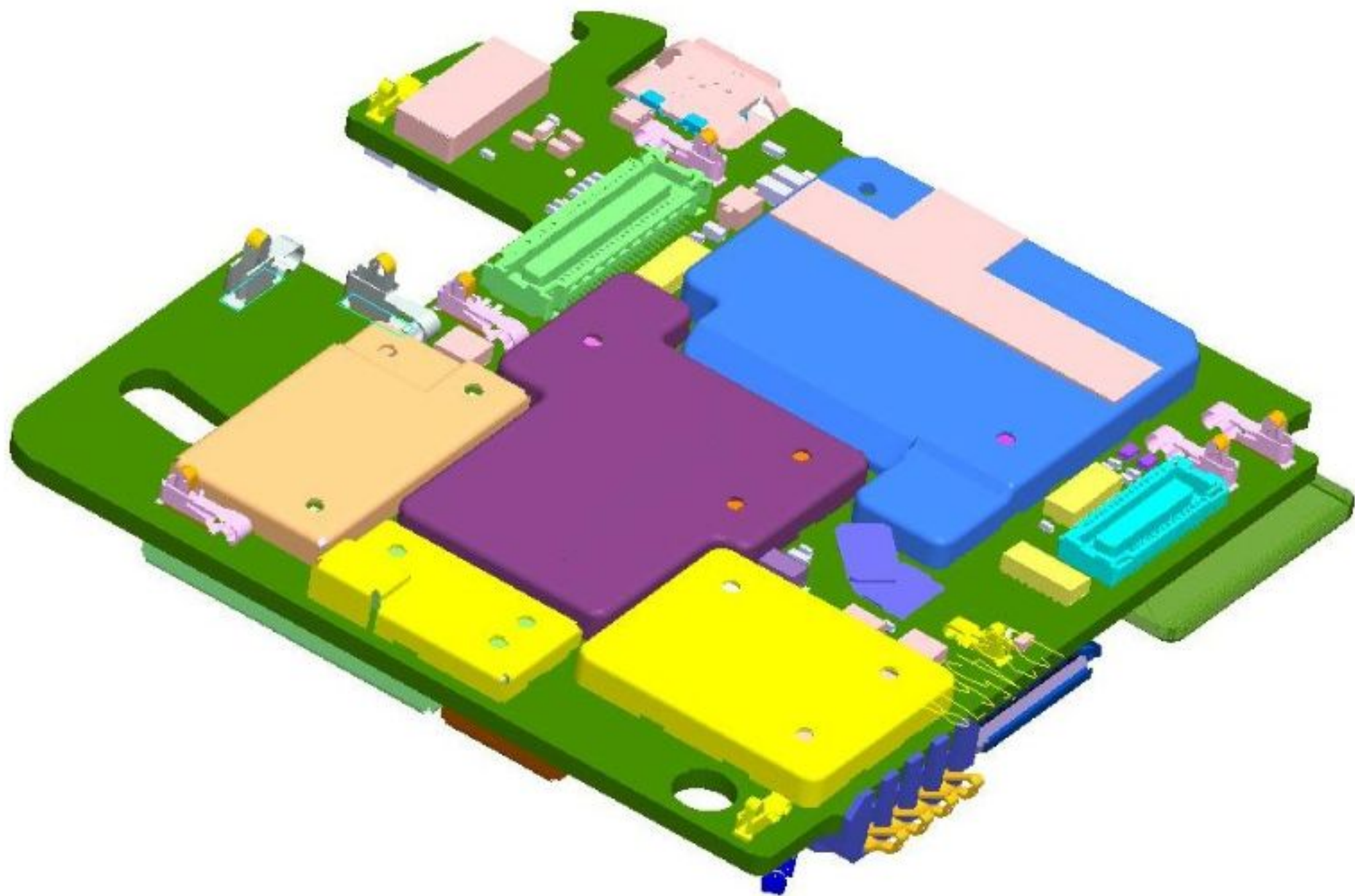
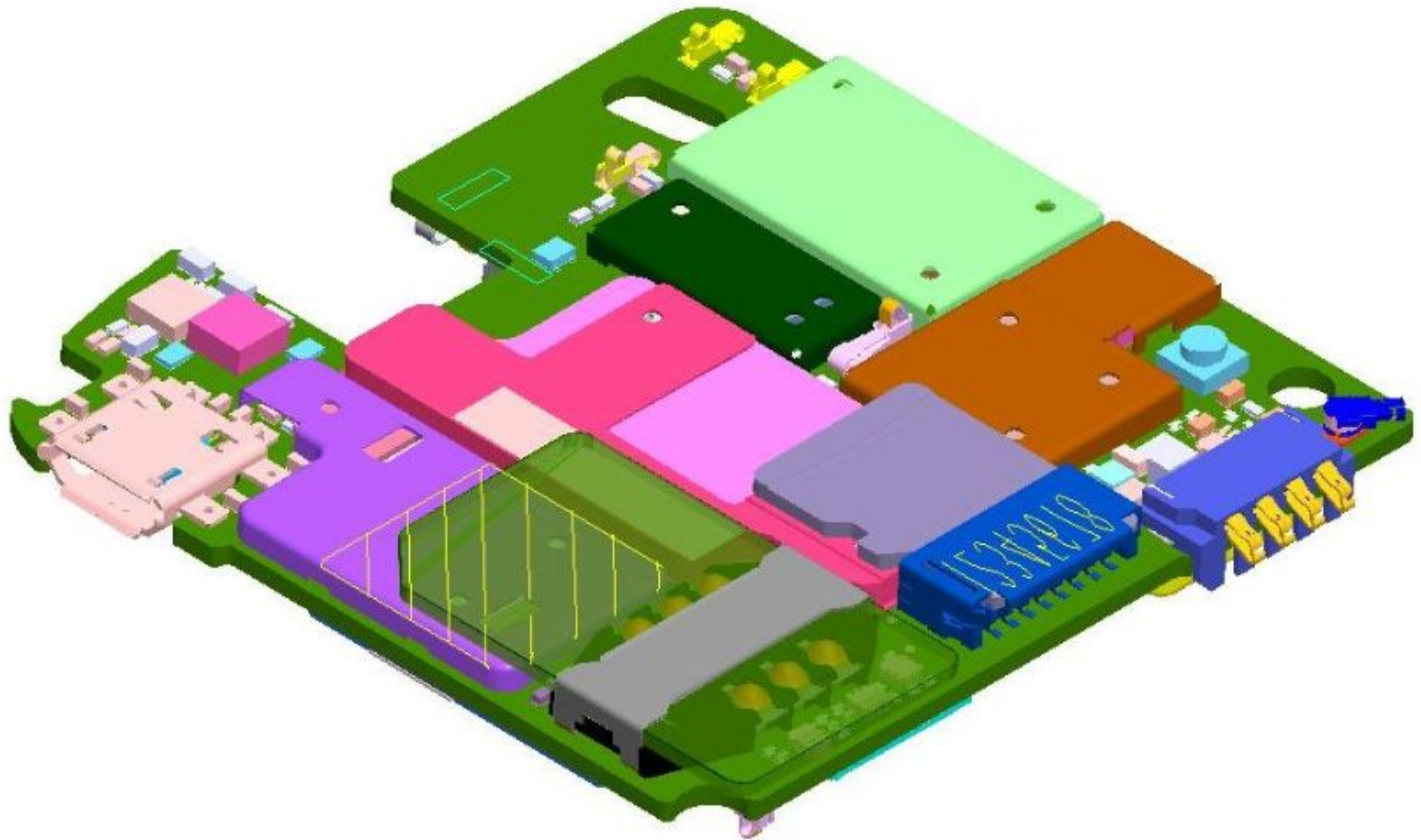


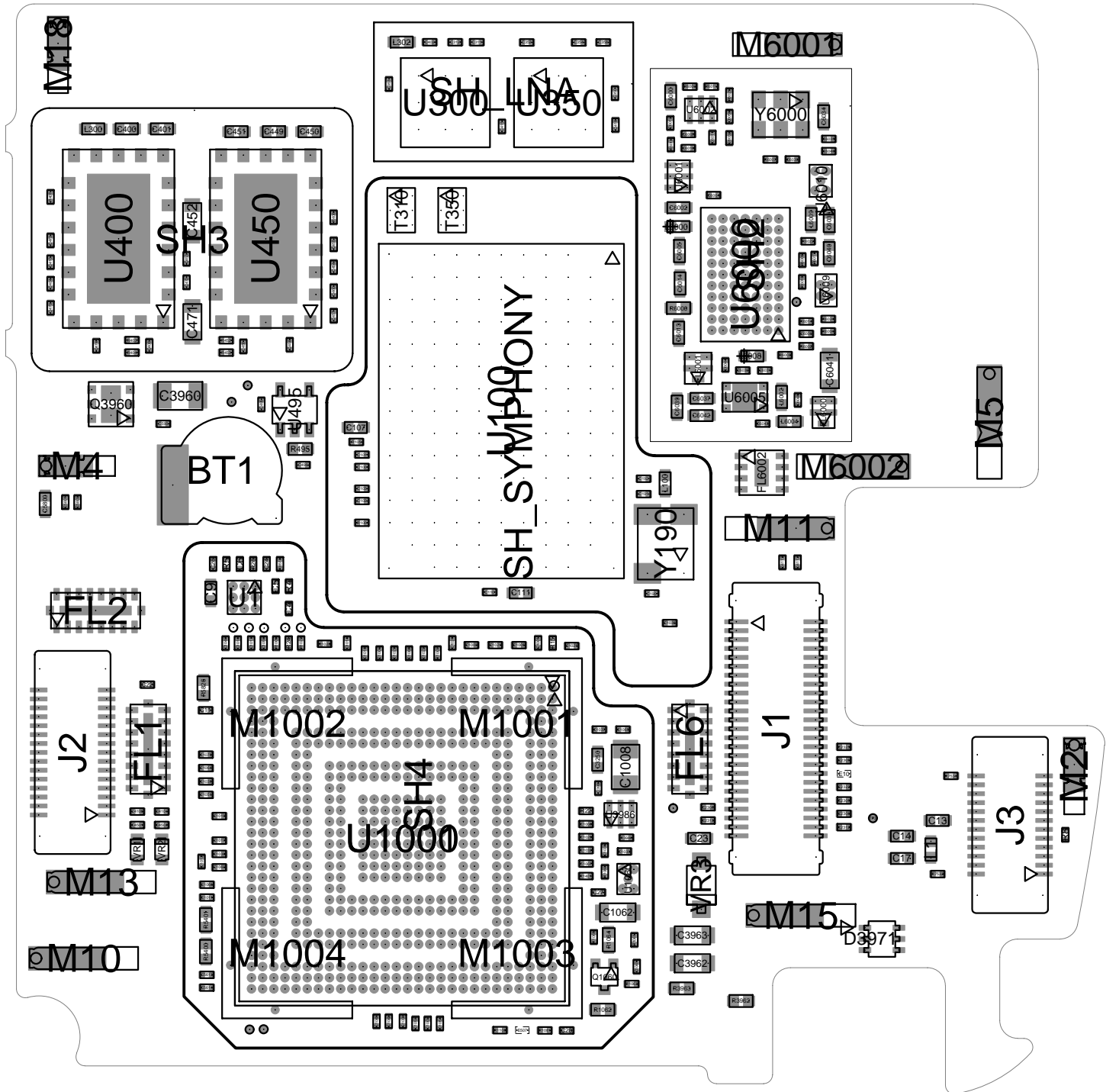
CORSICA NA - 8471150F01_P4.7 - TOP - 3D

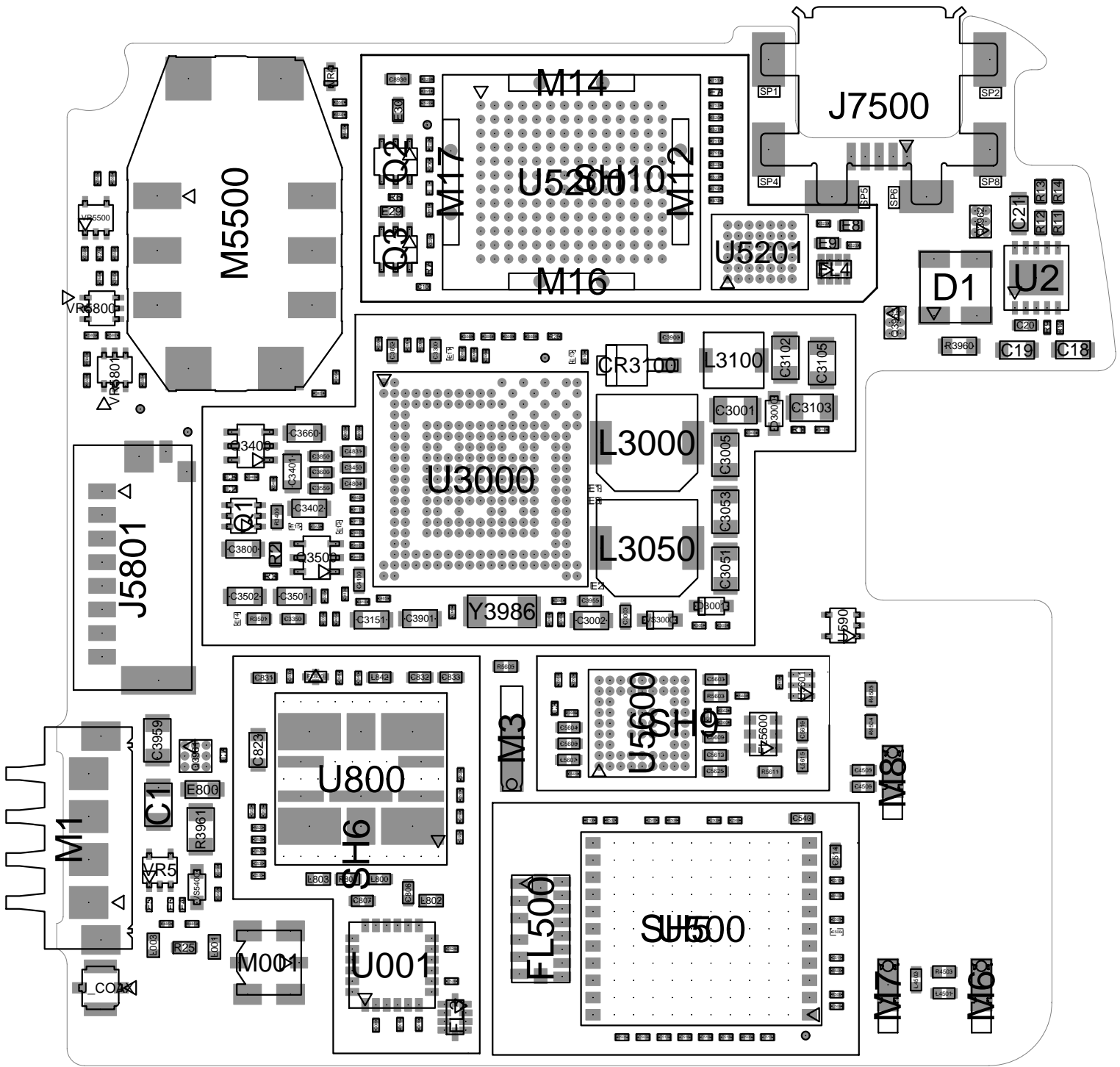


CORSICA NA - 8471150F01_P4.7 - BOT - 3D



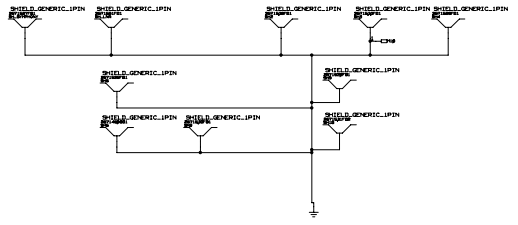
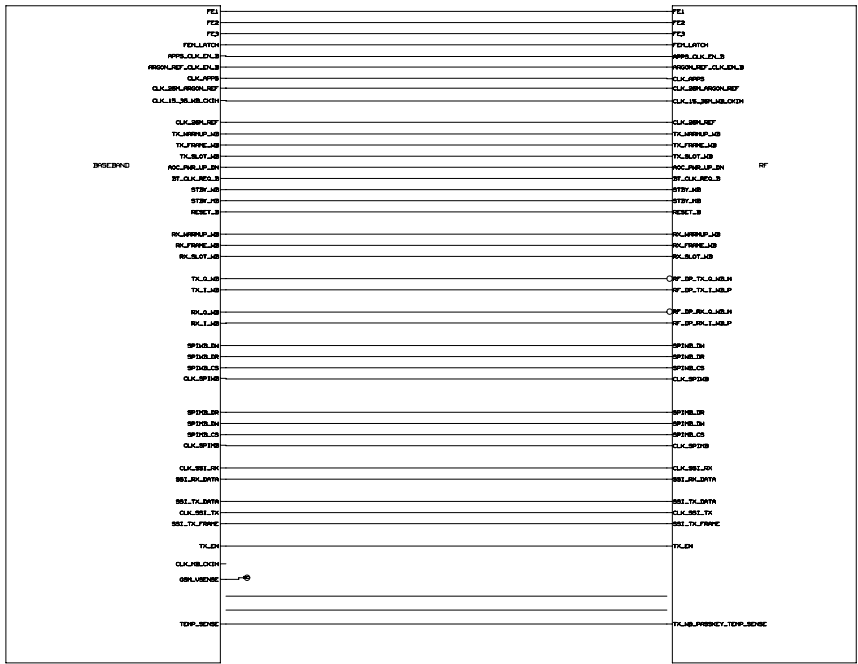
CORSICA NA - MAIN PCB - 8471150F01_P4.7 (Top)





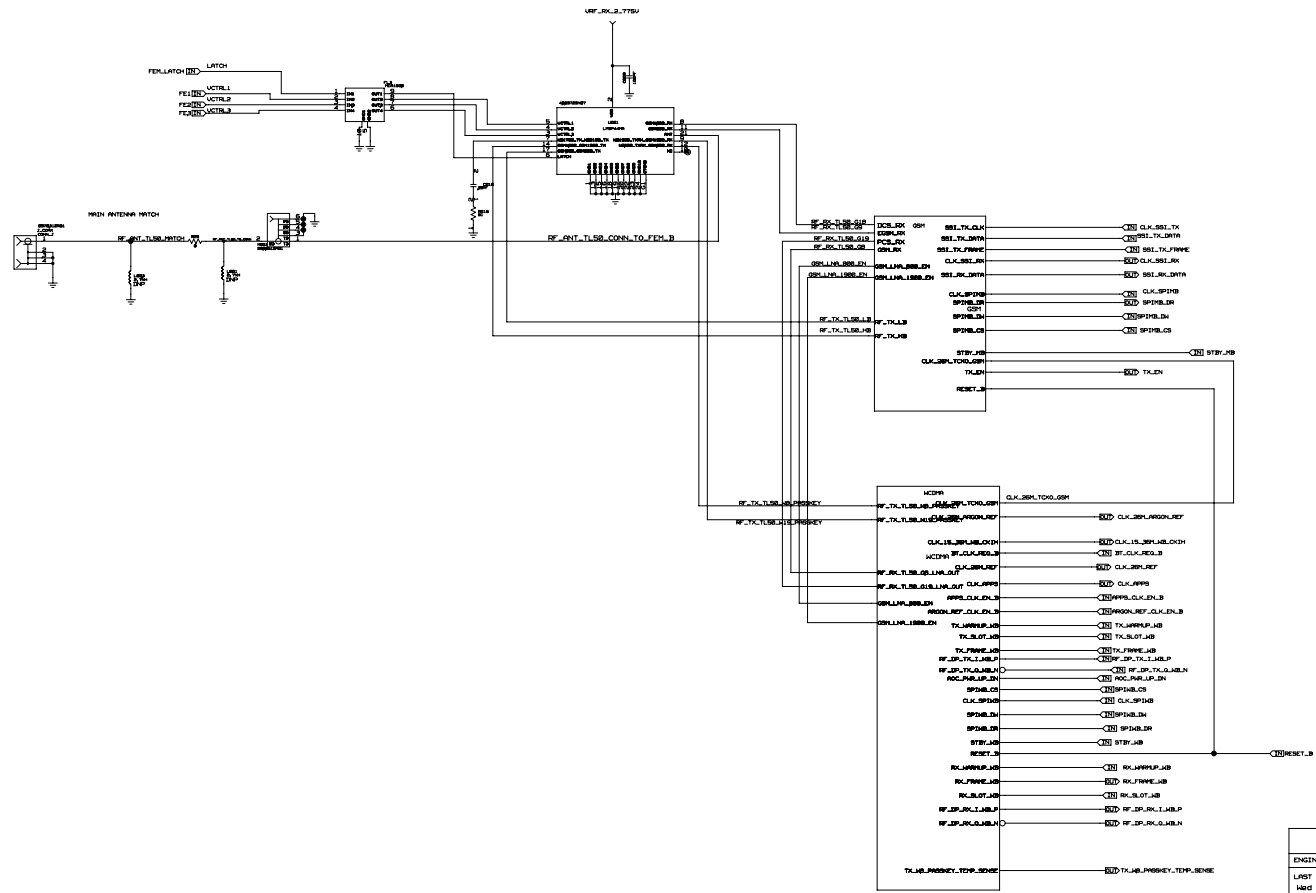
CORSICA NA - MAIN PCB - 8471150F01_P4.7 (Bot)

REVISIONS				
ZONE	LTR	DESCRIPTION	DATE	APPROVED



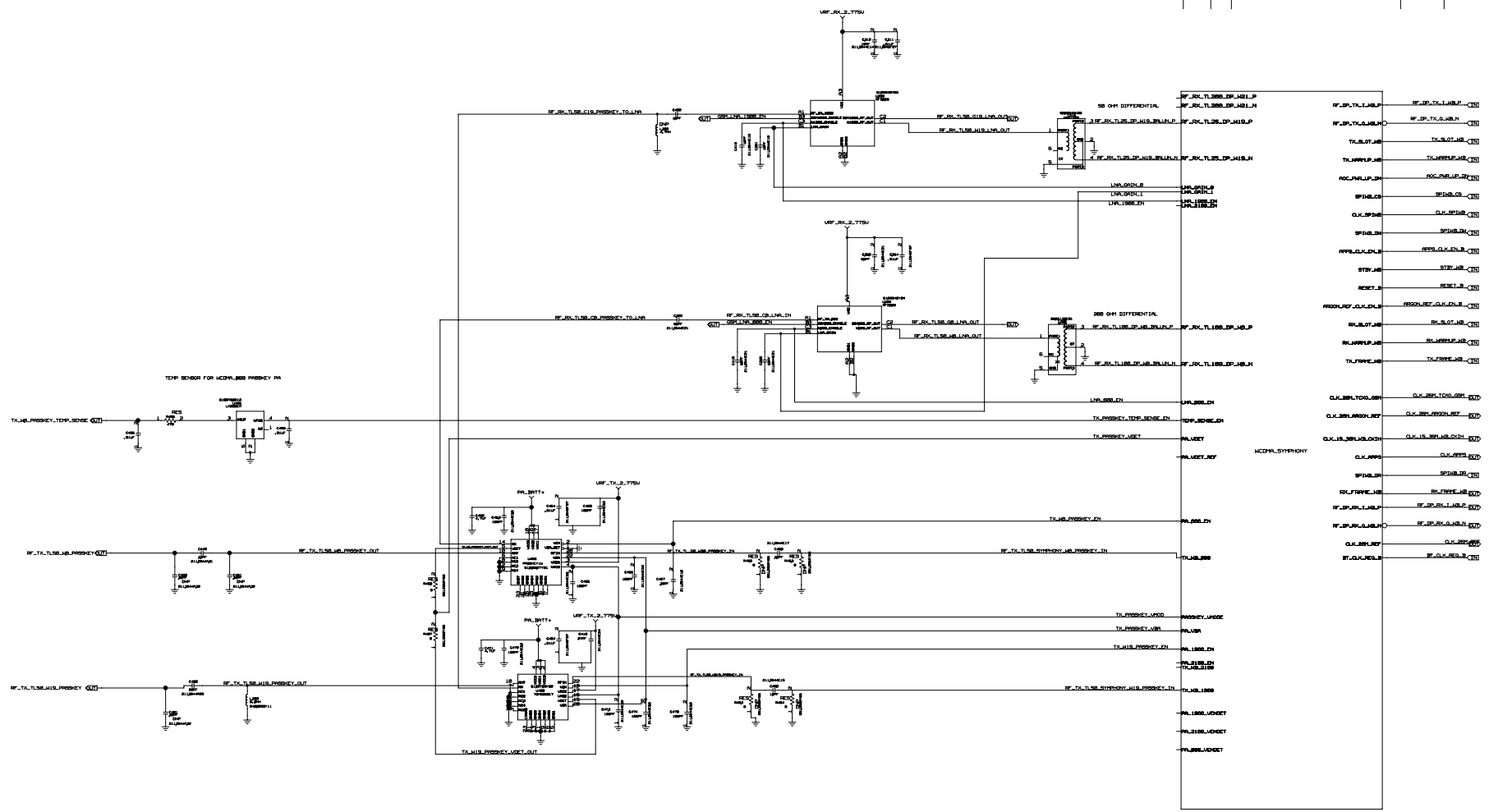
APPROVALS		MOTOROLA MOBILE DEVICES	
ENGINEER: SIAHAK URRANRHHASTI		BLOCK TITLE:	
LAST MODIFIED BY: SIAHAK URRANRHHASTI		top	
MADE: Oct 03 11:52:14 2007		PROJECT NAME	
MOTOROLA CONFIDENTIAL, RESTRICTED <small>NO DISCLOSURE OF THIS INFORMATION TO THE PUBLIC OR TO ANY OTHER PERSON OR ENTITY IS PERMITTED WITHOUT THE WRITTEN APPROVAL OF MOTOROLA CORPORATION. MOTOROLA, THE MOTOROLA LOGO AND MOBILE DEVICES ARE TRADEMARKS OF MOTOROLA CORPORATION.</small>		D	REV
FILE NAME: B471150F01_P4_5.brd		PAGE 5 OF 17	

REVISONS				
ZONE	LTB	DESCRIPTION	DATE	APPROVED

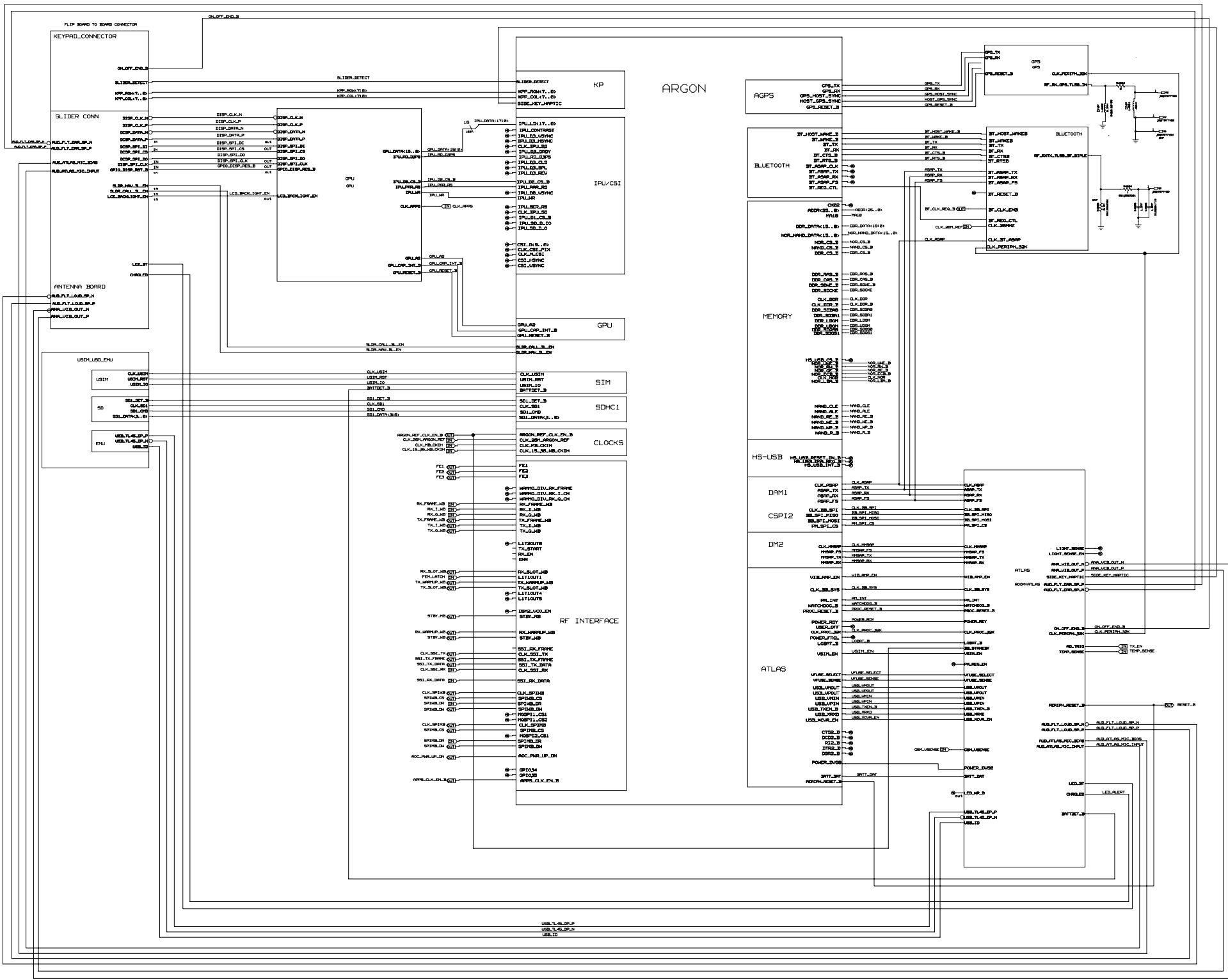


APPROVALS		ROTOROLA MOBILE DEVICES	
ENGINEER TIMOTHY ORTIZ		BLOCK TITLE:	rf
LAST MODIFIED BY TIMOTHY ORTIZ		PROJECT NAME	
DATE 04 03 11 15:15 2007		REV	P4.G
ROTOROLA CONFIDENTIAL, RESTRICTED		Q&S FILE NAME:	PAGE 3 OF 17
THIS SKETCH OR THIS PART OR DRAWING IS THE PROPERTY OF MOTOROLA AND IS TO BE USED ONLY AS SPECIFIED IN THE DRAWING. IT IS NOT TO BE REPRODUCED OR TRANSMITTED IN ANY FORM OR BY ANY MEANS, ELECTRONIC OR MECHANICAL, INCLUDING PHOTOCOPYING, RECORDING, OR BY ANY INFORMATION STORAGE AND RETRIEVAL SYSTEM.			

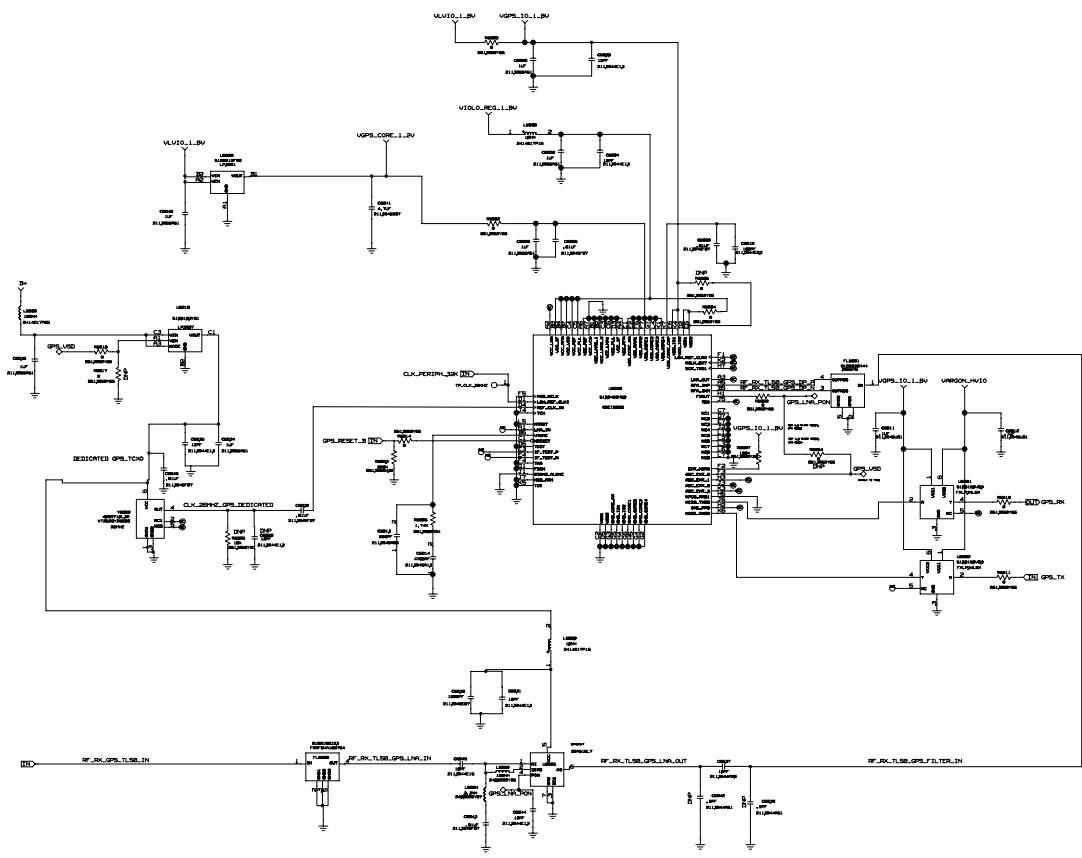
REVISIONS				
ZONE	LTR	DESCRIPTION	DATE	APPROVED



APPROVALS	MOTOROLA MOBILE DEVICES		
ENGINEER PERIZENA BRIMONDO	BLOCK TITLE:		
LAST MODIFIED BY PERIZENA BRIMONDO	wcdma		
WAVE DATE 03/11/2007	PROJECT NAME	REV	
MOTOROLA CONFIDENTIAL, RESTRICTED	D B471150FD1.cpm		P4.G
DO NOT DISSEMINATE THIS INFORMATION OUTSIDE OF MOTOROLA WITHOUT EXPRESS WRITTEN PERMISSION FROM MOTOROLA. © 2007 Motorola, Inc. All rights reserved.	Q&S FILE NAME:	PAGE 4 OF 17	
	B471150FD1_P4.G.DWG		



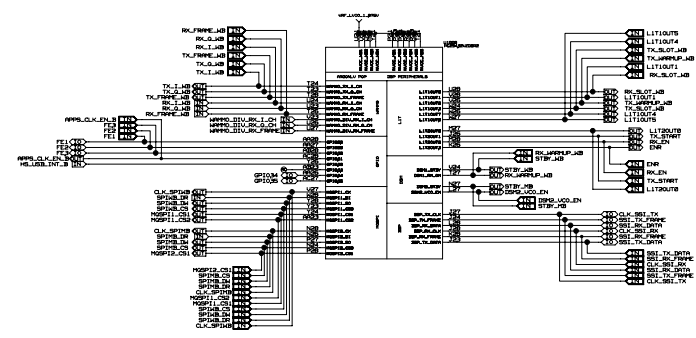
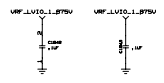
REVISIONS				
ZONE	LTR	DESCRIPTION	DATE	APPROVED



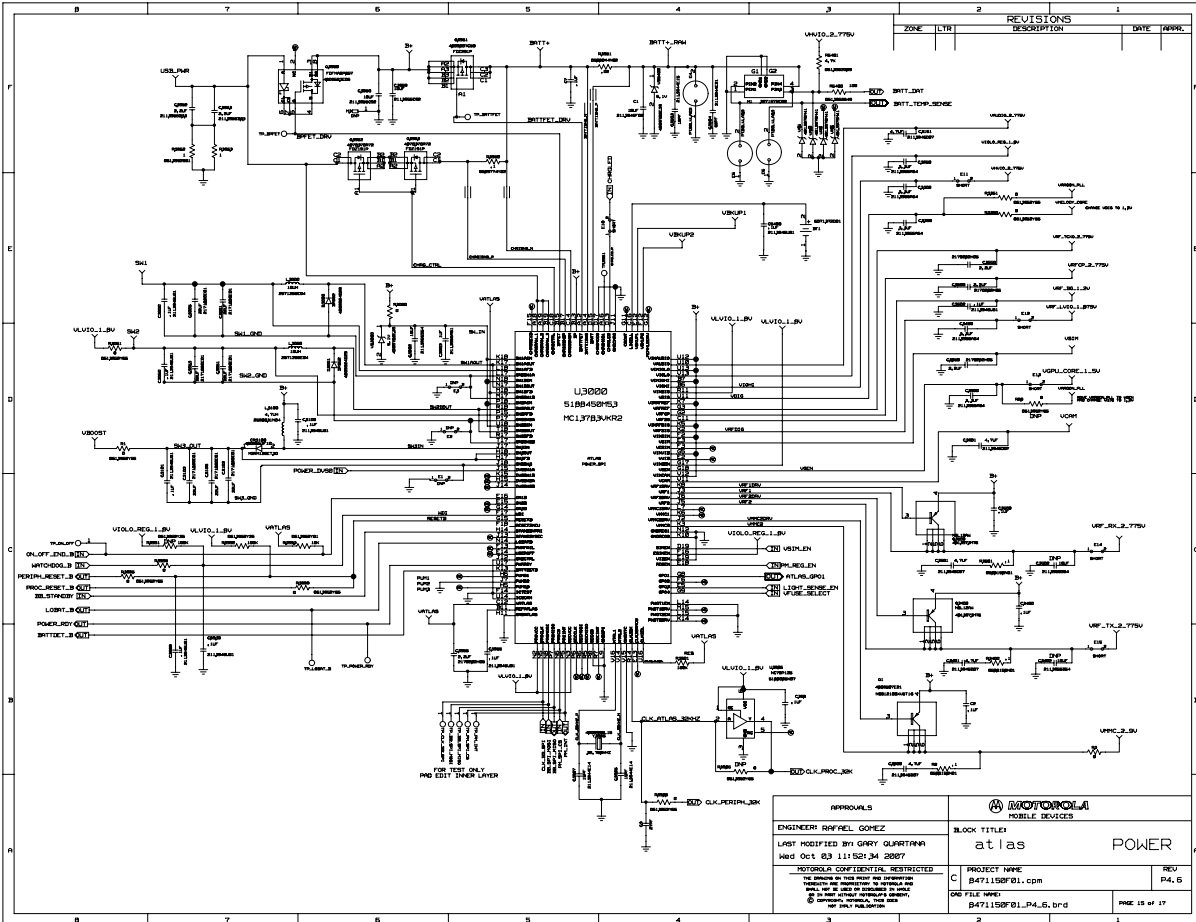
MOTOROLA CONFIDENTIAL PROPRIETARY

APPROVALS ENGINEER JEFF EGNA LAST MODIFIED BY JEFF EGNA MOD Oct 1 03 11:58:48 2007		MOBILE DEVICES	
MOTOROLA CONFIDENTIAL RESTRICTED <small>THE DESIGN IS UNCLASSIFIED AND APPROVED FOR RELEASE TO THE PUBLIC BY THE NATIONAL ARCHIVES AND RECORDS ADMINISTRATION ON 08-22-2013. FOR MORE INFORMATION, VISIT US AT www.nara.gov. © 2007 MOTOROLA, INC. ALL RIGHTS RESERVED.</small>		PROJECT NAME B471150F81_P4_6	REV P4_6
Dwg FILE NAME B471150F81_P4_6.DWG		PAGE 8 OF 17	

REVISIONS				
ZONE	LTR	DESCRIPTION	DATE	APPROVED

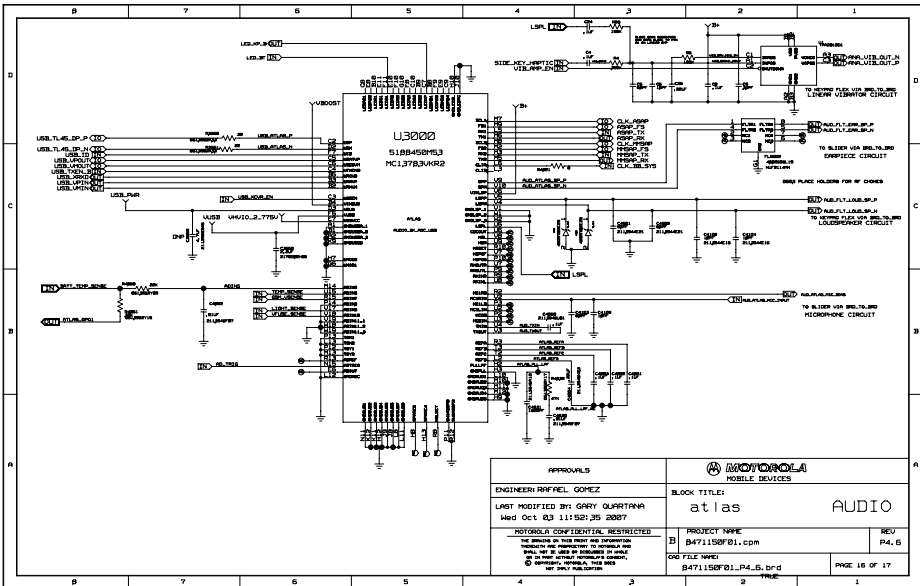


APPROVALS ENGINEER GARY QUARTANA LAST MODIFIED BY GARY QUARTANA MHD Oct 13 11:52:29 2007			
LAST MODIFIED BY GARY QUARTANA MHD Oct 13 11:52:29 2007		BLOCK TITLE argon dsp	
PROJECT NAME B471150F01_P4_6		REV P4_6	
PROJECT NUMBER B471150F01_P4_6.DWG		DATE PAGE 11 OF 17	



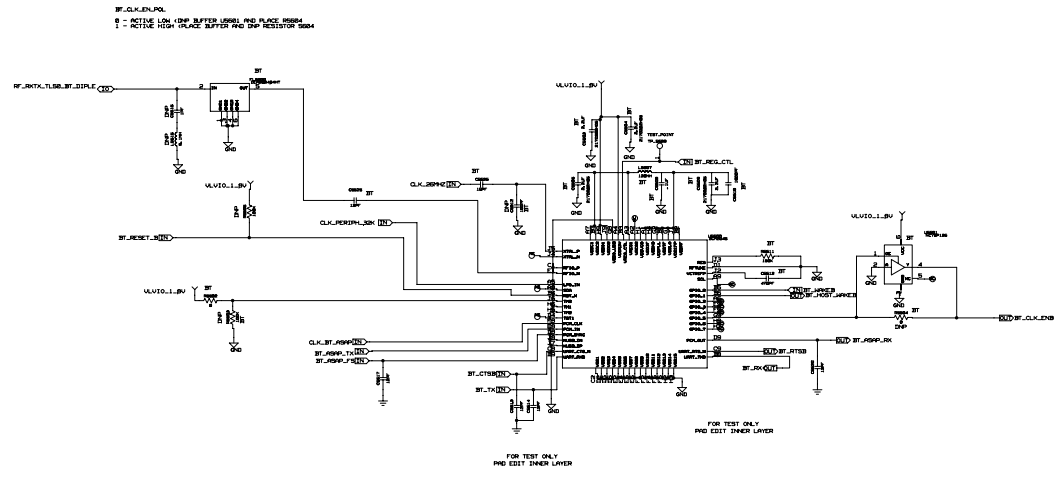
REVOLUTIONS		DATE	APPD.
ZONE	LTR		

APPROVALS ENGINEER RNFVEL GOREZ LAST MODIFIED BY GARY QUARTANA WED OCT 03 11:55:34 2007 MOTOROLA CONFIDENTIAL RESTRICTED <small>THE DESIGN IS UNCLASSIFIED UNLESS INDICATED OTHERWISE IN THIS DOCUMENT. MOTOROLA AND THE MOTOROLA LOGO ARE REGISTERED TRADEMARKS OF MOTOROLA CORPORATION. © 2007 MOTOROLA CORPORATION. ALL RIGHTS RESERVED. MOTOROLA, THE MOTOROLA LOGO AND "POWER" ARE TRADEMARKS OF MOTOROLA CORPORATION.</small>			
block titles atlas		POWER	
PROJECT NAME B471158F01_01N		REV P4.6	
QND FILE NAME: B471158F01_P4.6_brd		PAGE 19 OF 17	



APPROVALS		MOTOROLA MOBILE DEVICES	
ENGINEER: RAFAEL GOMEZ		BLOCK TITLE: atlas AUDIO	
LAST MODIFIED BY: GARY QUARTANA Wed Oct 03 11:52:35 2007		PROJECT NAME: B 8471150F01.cpm	
MOTOROLA CONFIDENTIAL RESTRICTED		REV P4.6	
THE SCHEMATIC IN THIS PRINT AND INFORMATION THEREIN ARE PROPRIETARY TO MOTOROLA AND SHALL NOT BE USED OR DISCLOSED IN WHOLE OR IN PART WITHOUT MOTOROLA'S CONSENT. © COPYRIGHT, MOTOROLA, THIS DOC MAY BE UNCLASSIFIED		CAD FILE NAME: 8471150F01_P4_6.brd	
		PAGE 16 OF 17	

REVISIONS				
ZONE	LTR	DESCRIPTION	DATE	APPROVED



APPROVALS	 MOBILE DEVICES		
ENGINEER DON ALLEN	BLOCK TITLE		
LAST MODIFIED BY GARY QUARTANA 1805 OCT 03 11:50:38 2007	bluetooth		
FOTONICA CONFIDENTIAL RESTRICTED	PROJECT NAME	REV	
<small> THE DESIGN IS YOUR PROPERTY AND IS UNCLASSIFIED UNLESS YOU SPECIFICALLY STATE OTHERWISE AND YOU WANT IT TO BE CLASSIFIED TO A LEVEL OR IN YOUR COMPANY'S POLICY AND/OR CONFIDENTIALITY POLICY. THIS DESIGN IS NOT TO BE RELEASED TO THE PUBLIC. </small>	D	P4_6	
	ONE FILE NAME	PAGE 17 OF 17	
	B471150F01_P4_6.br'd		