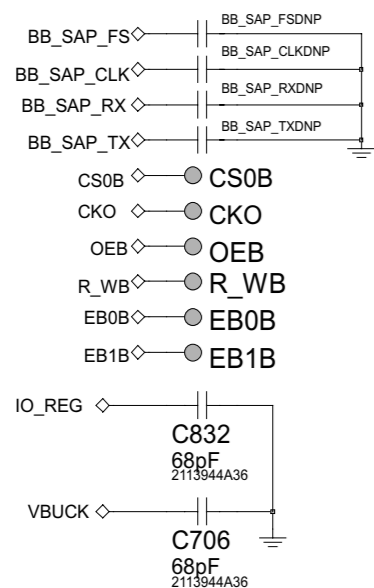
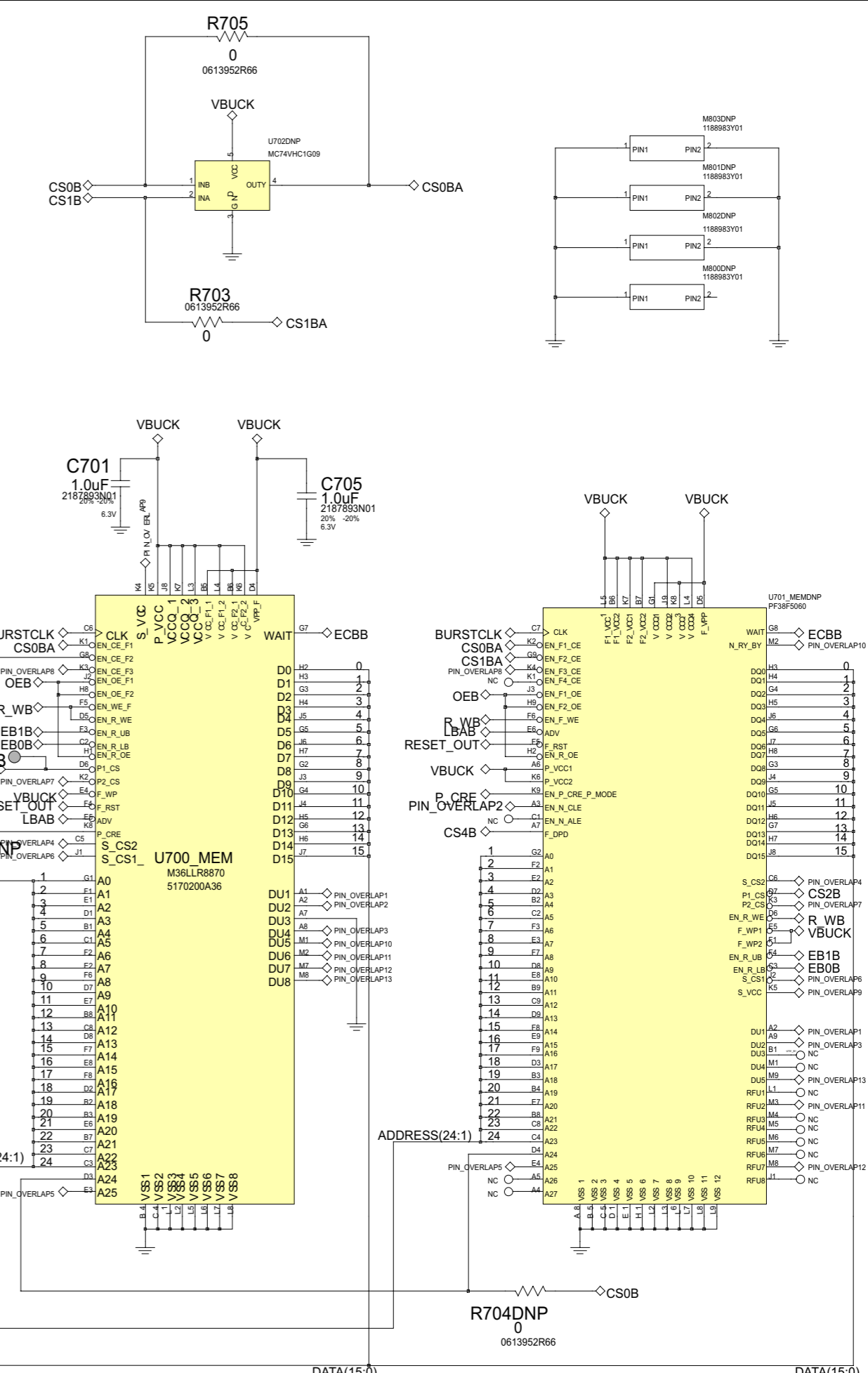


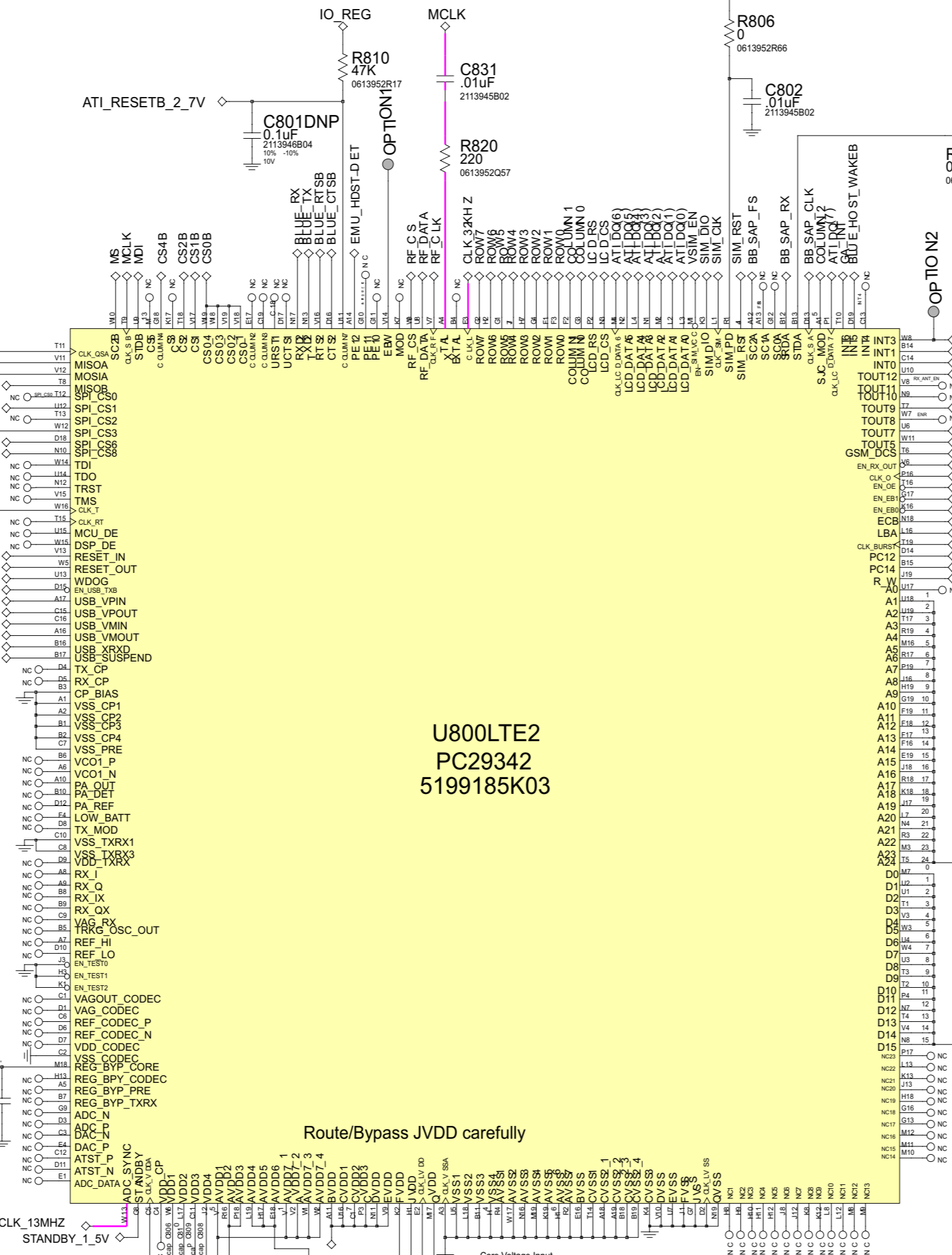
Neptune Test Points



BB



U800LTE2
PC29342
5199185K03

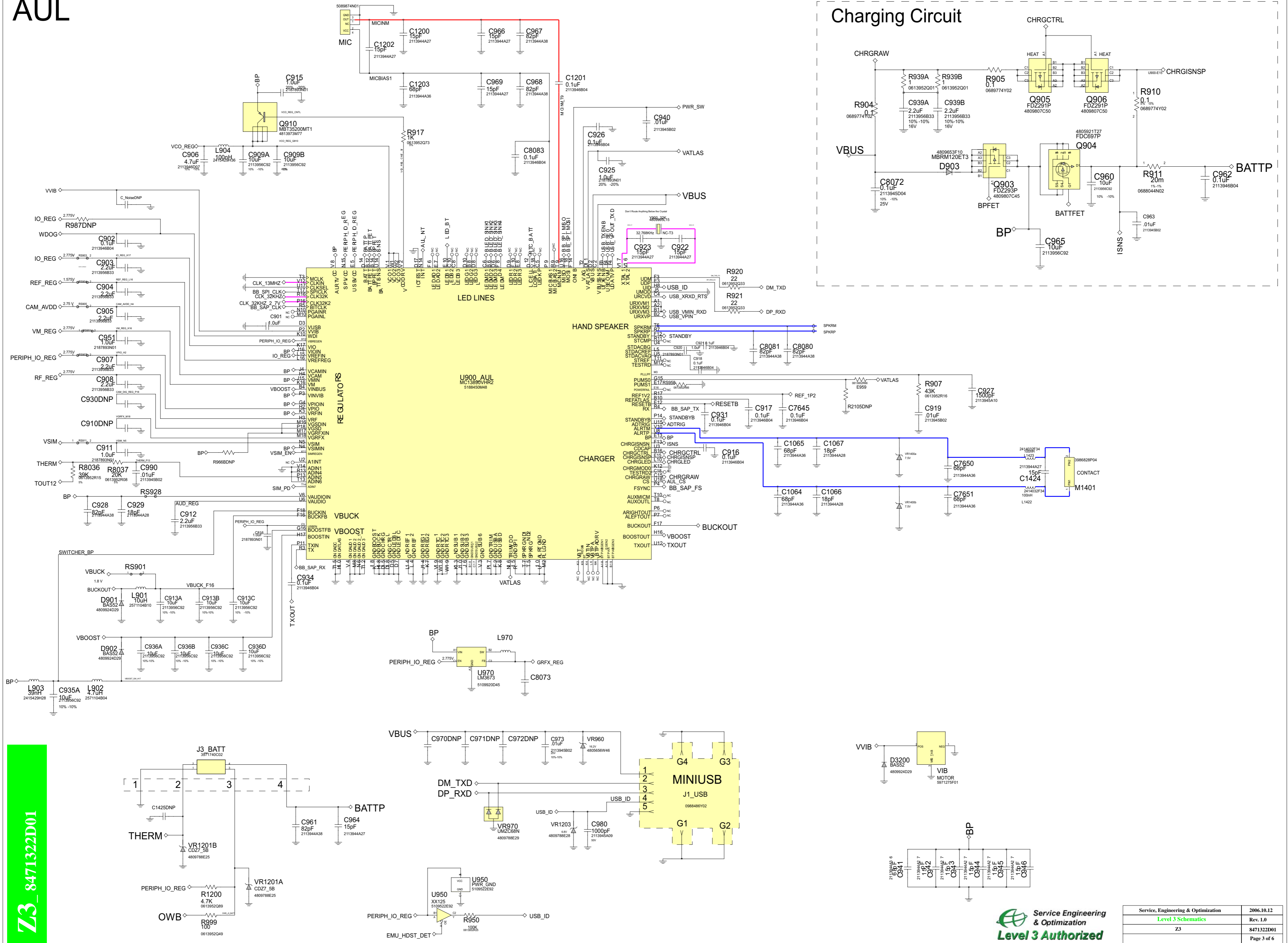


Route/Bypass JVDD carefully

Possibility Get Rid of U807 and R822
Once LTE2 is Fixed
(By Discharging REG_BYPV_CORE to Gnd)
During Power Cuts/Power Ups

Z3_8471322D01

AUL

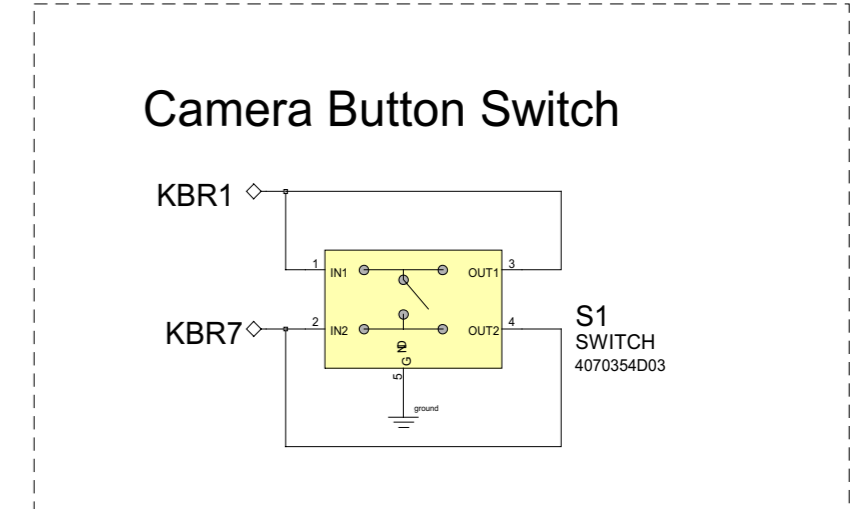
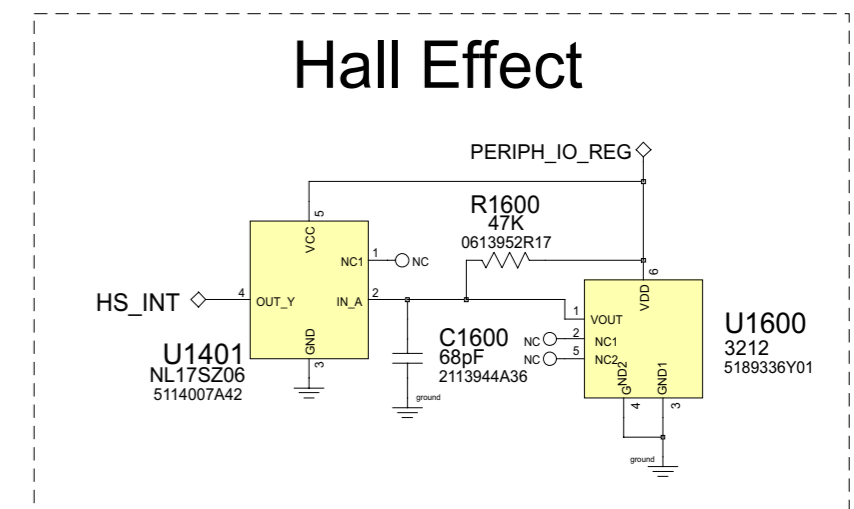
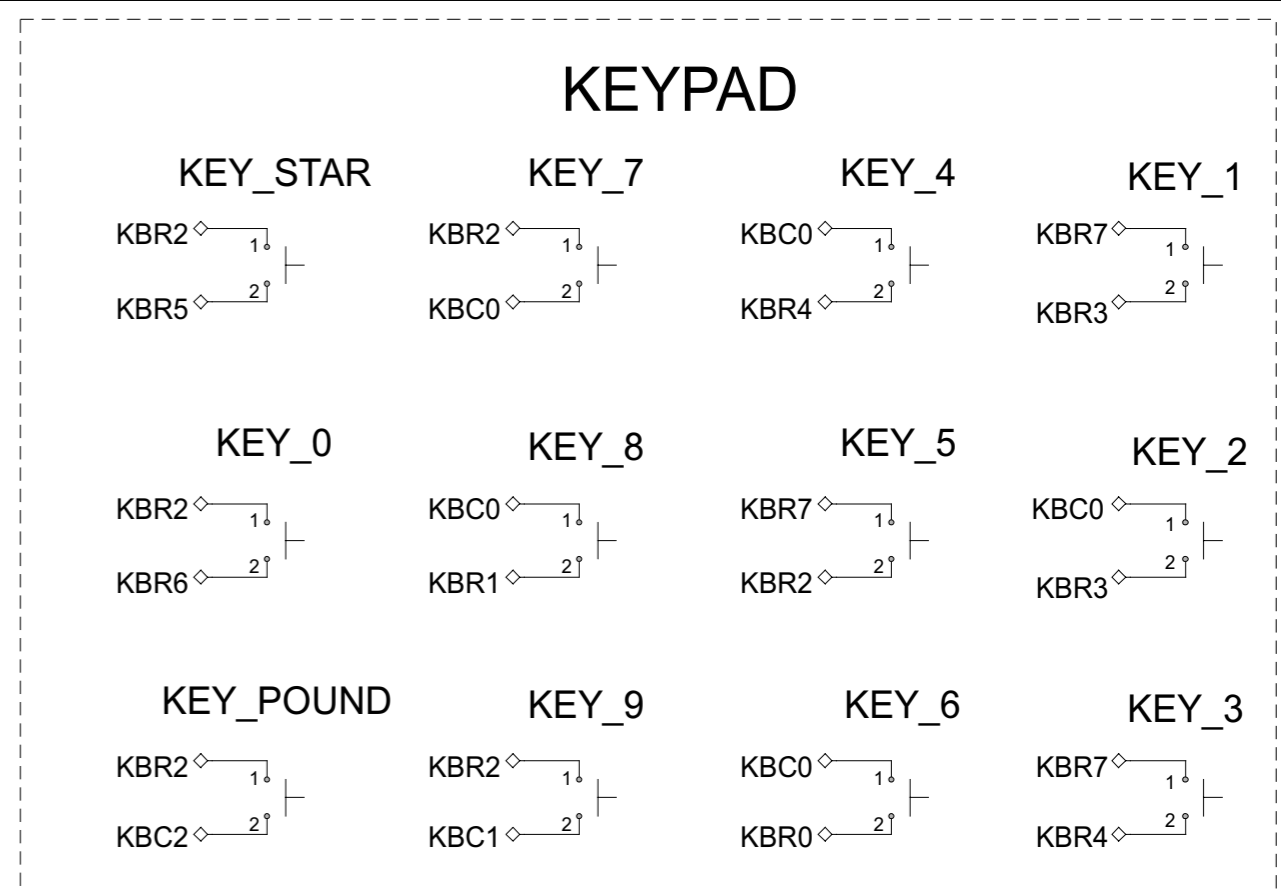
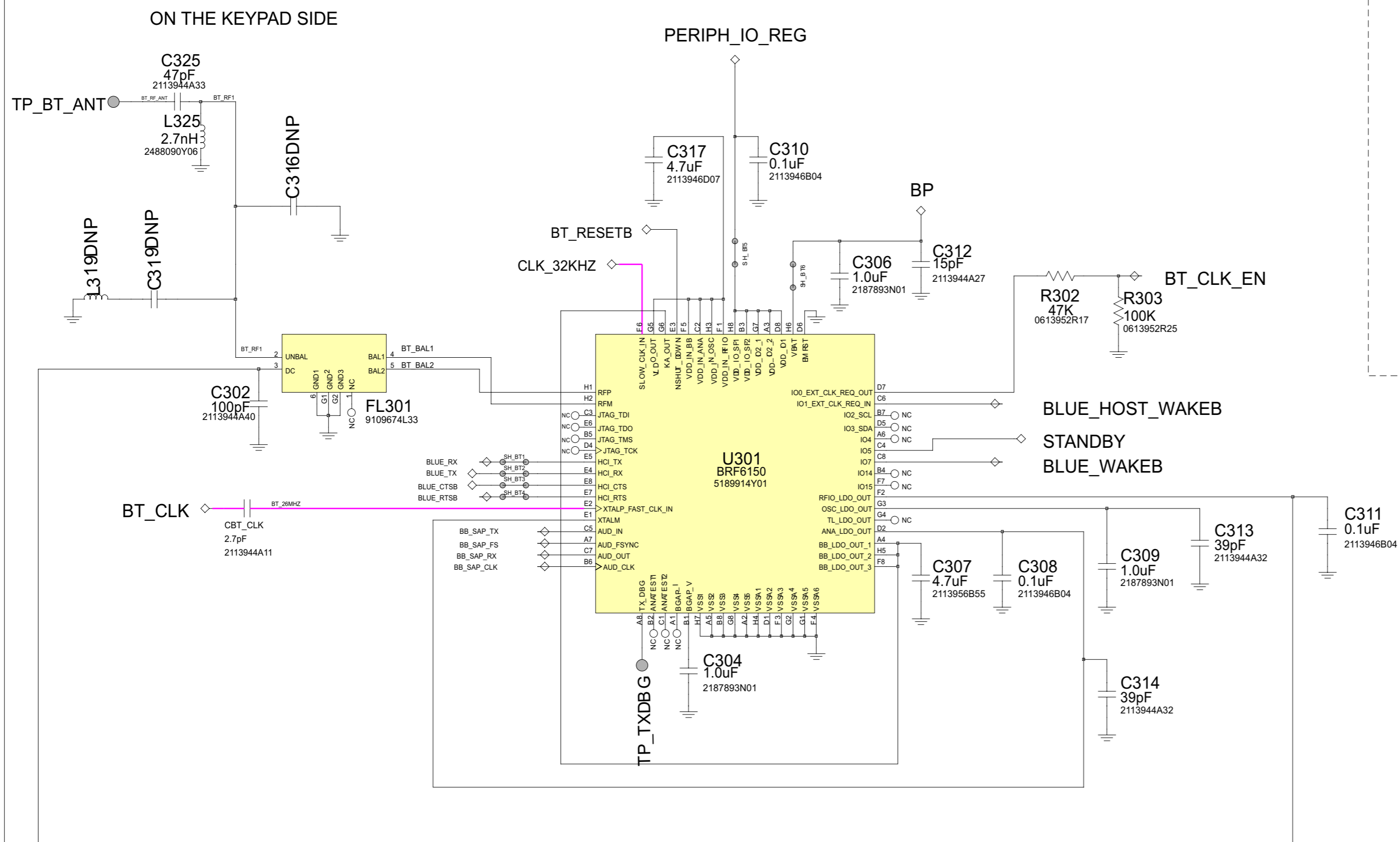


Z3_8471322D01

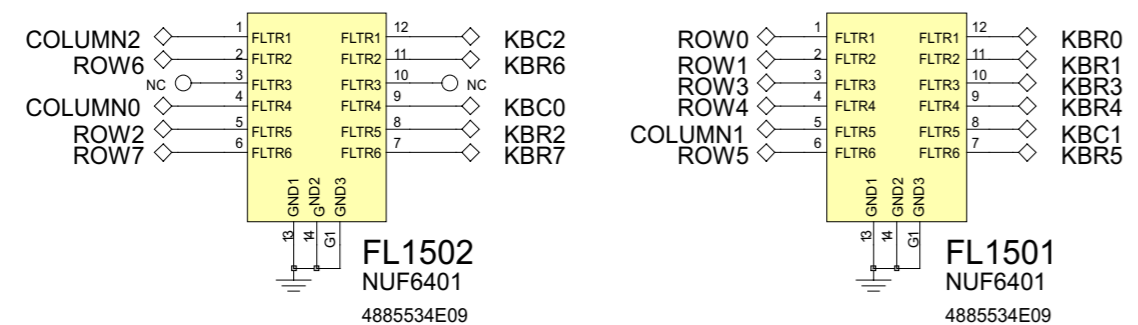
Service Engineering & Optimization
Level 3 Authorized

Service, Engineering & Optimization	2006.10.12
Level 3 Schematics	Rev. 1.0
Z3	8471322D01
	Page 3 of 6

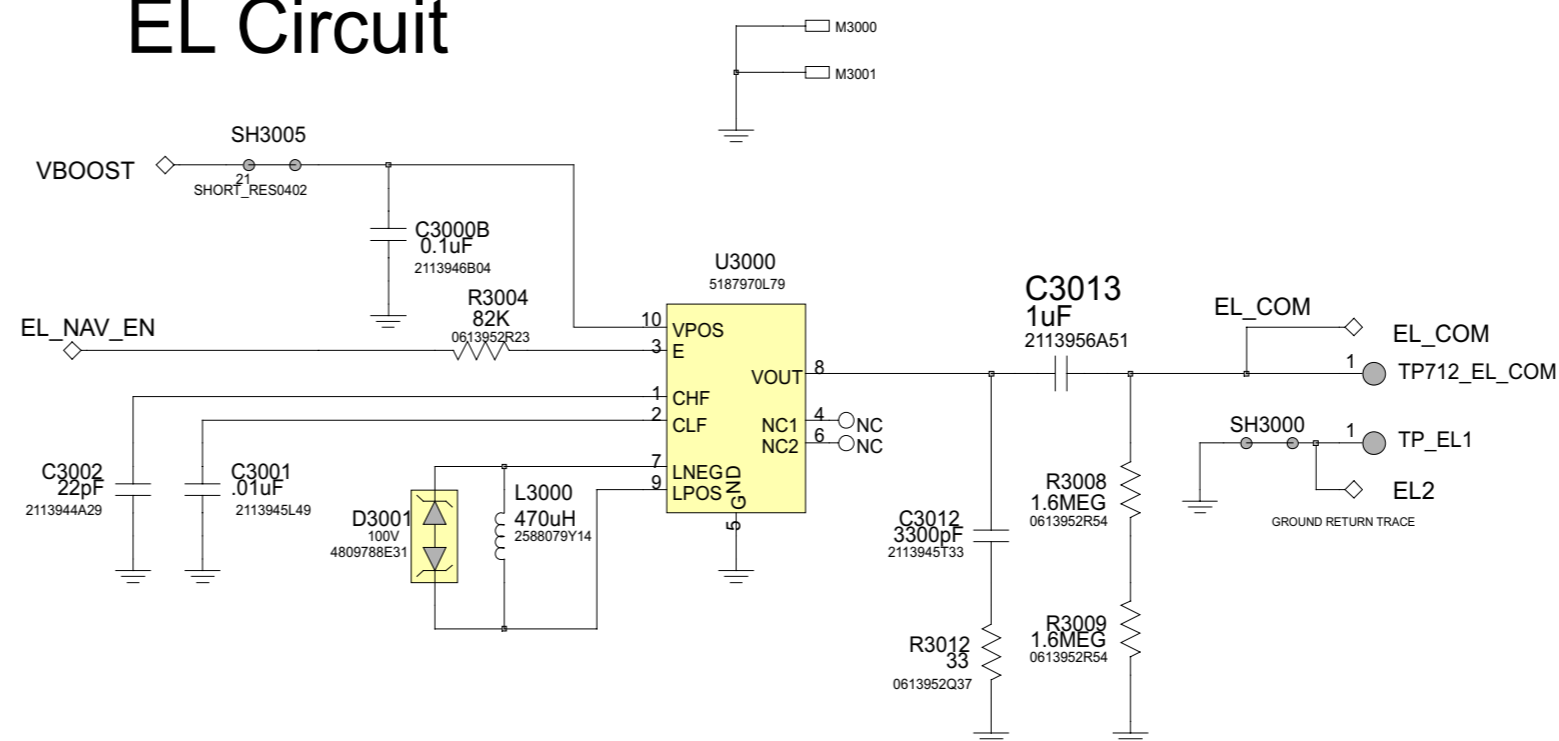
BlueTooth



EMI FILTER & ESD PROTECTION



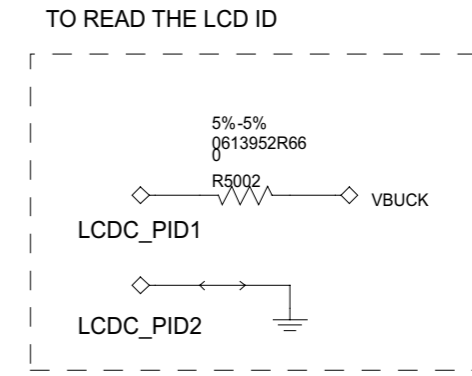
EL Circuit



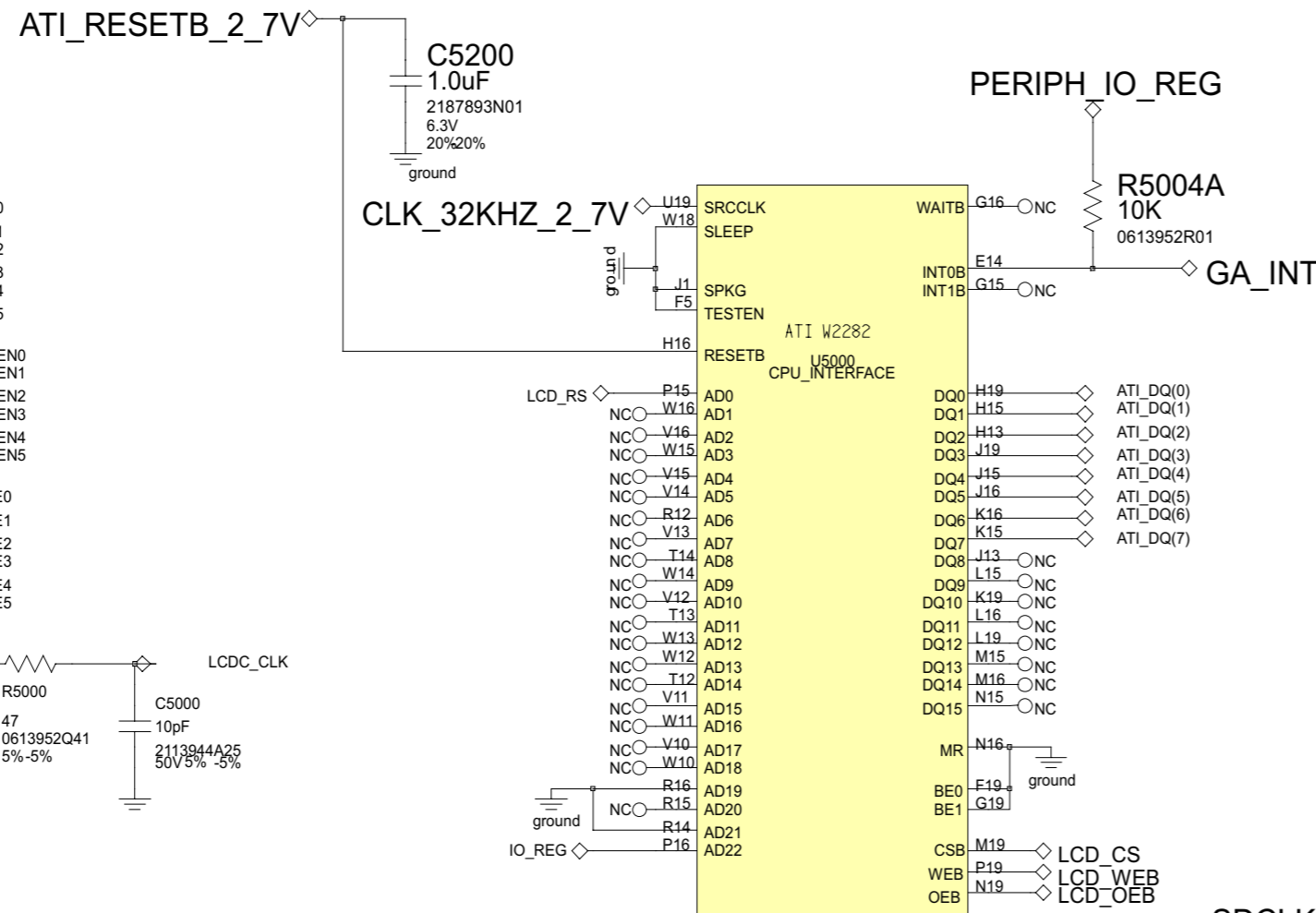
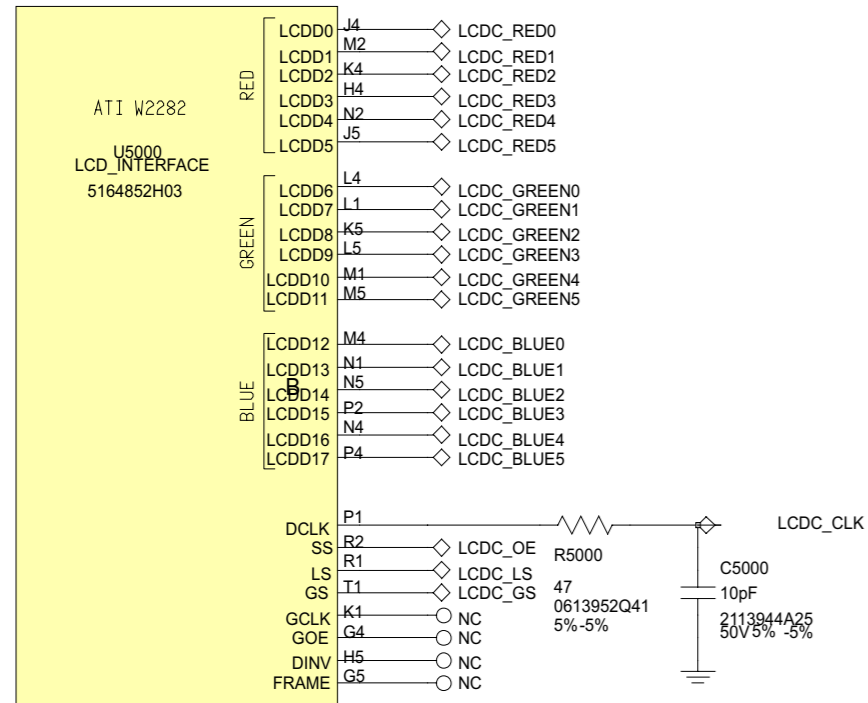
Z3_8471322D01

ATI

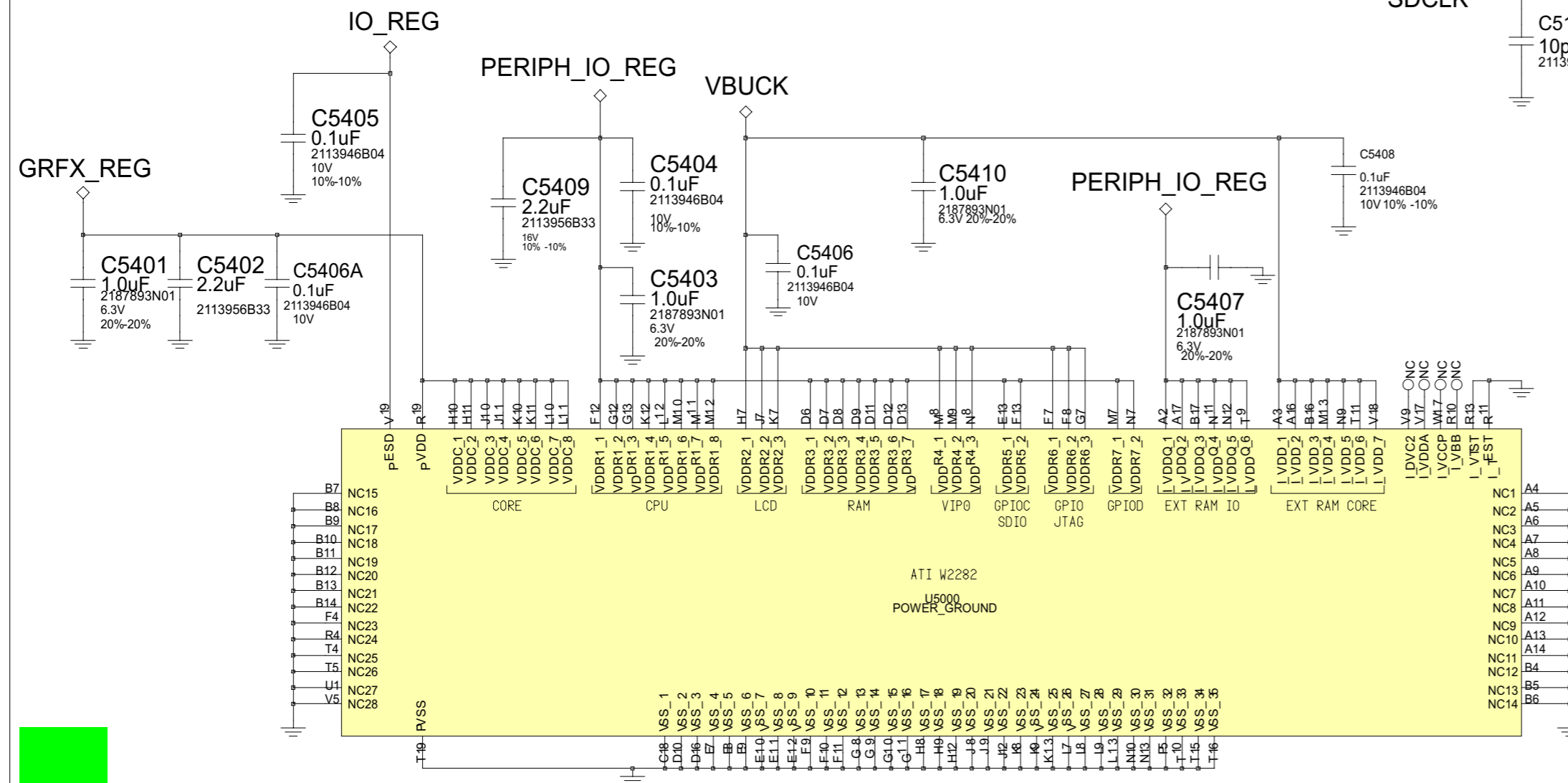
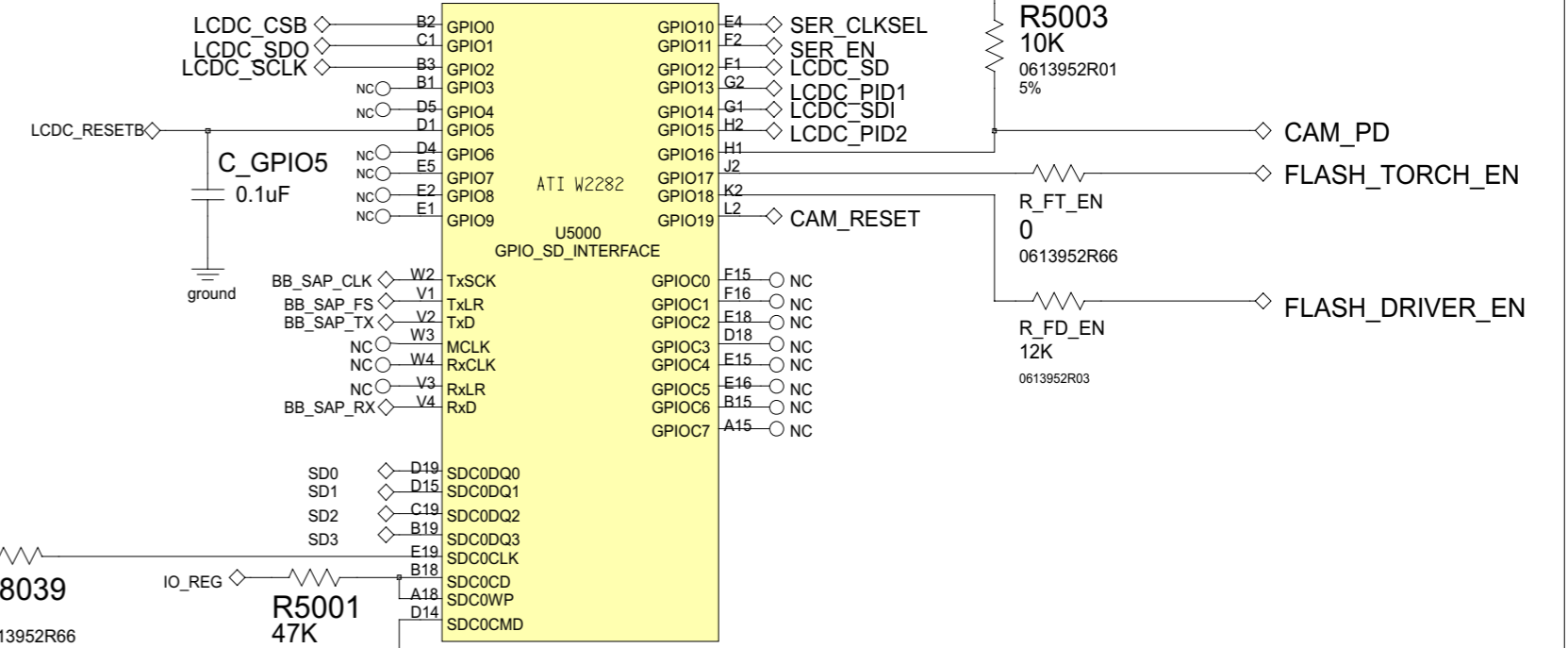
CPU INTERFACE



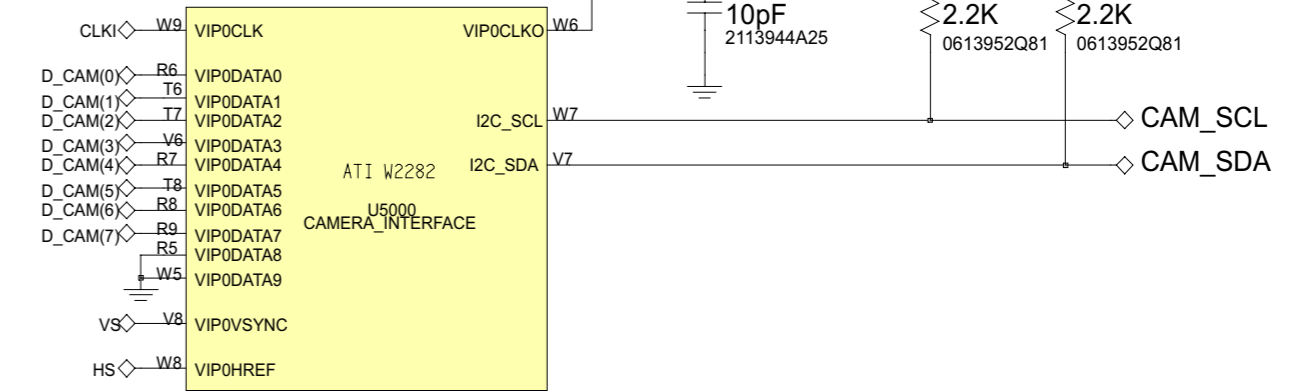
MAIN DISPLAY



GPIOs AND SD INTERFACE



CAMERA INTERFACE



Z3_8471322D01

