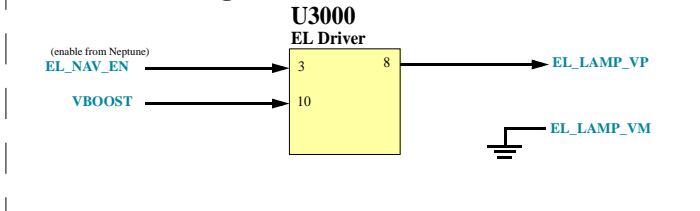
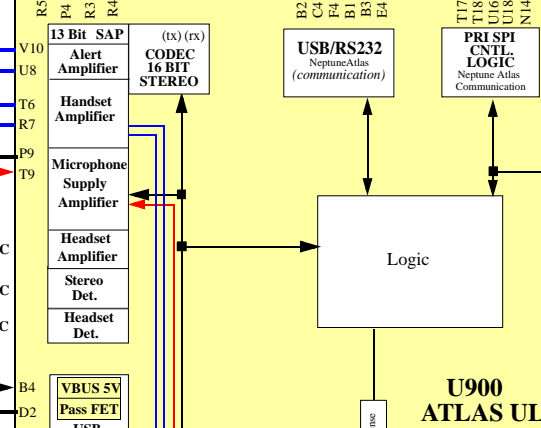
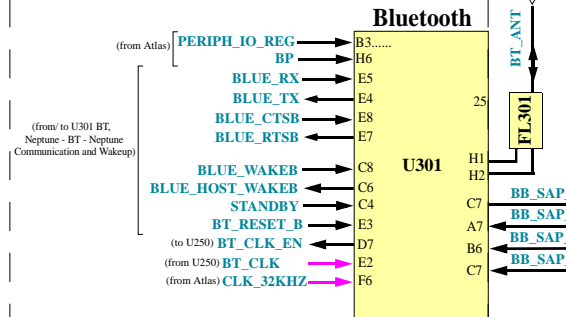


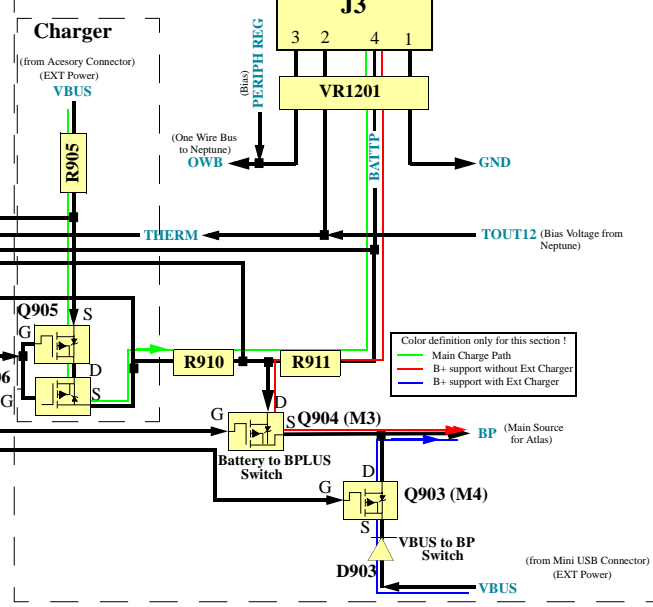
EL Backlight Driver



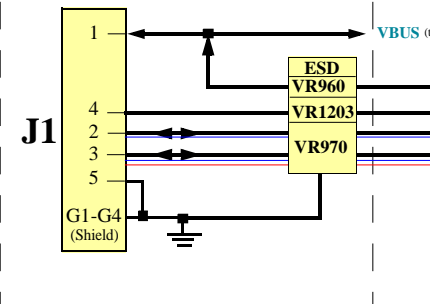
Bluetooth



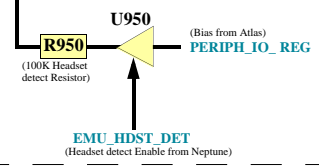
Charger and Power-source Control



Mini USB



Headset detect circuit

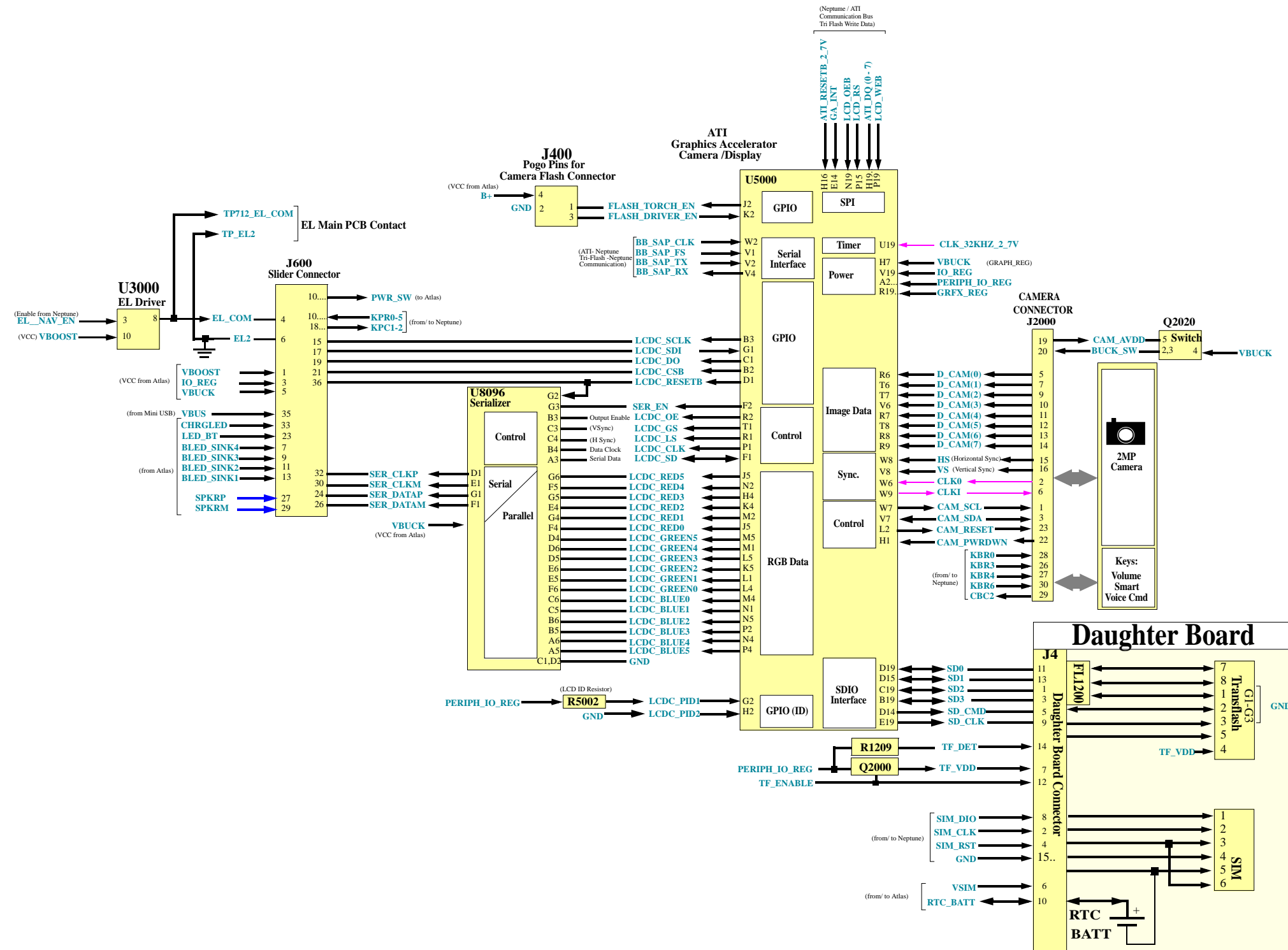


Service Engineering & Optimization
Level 3 Authorized

Revision Overview
Rev. 1.0: Initial Block Diagram
updated EL Circuit to U3000

Serve, Engineering & Optimization	2006.11.02
LEVEL 3 AL Block Diagram	Rev. 1.1
Z3	
	Page 2of 2





Service Engineering & Optimization
Level 3 Authorized

Revision Overview	
Rev. 1.0: Initial Block Diagram	

Serve, Engineering & Optimization	2006.10.10
LEVEL 3 AL Block Diagram	Rev. 1.0
Z3	
	Page 2 of 2

