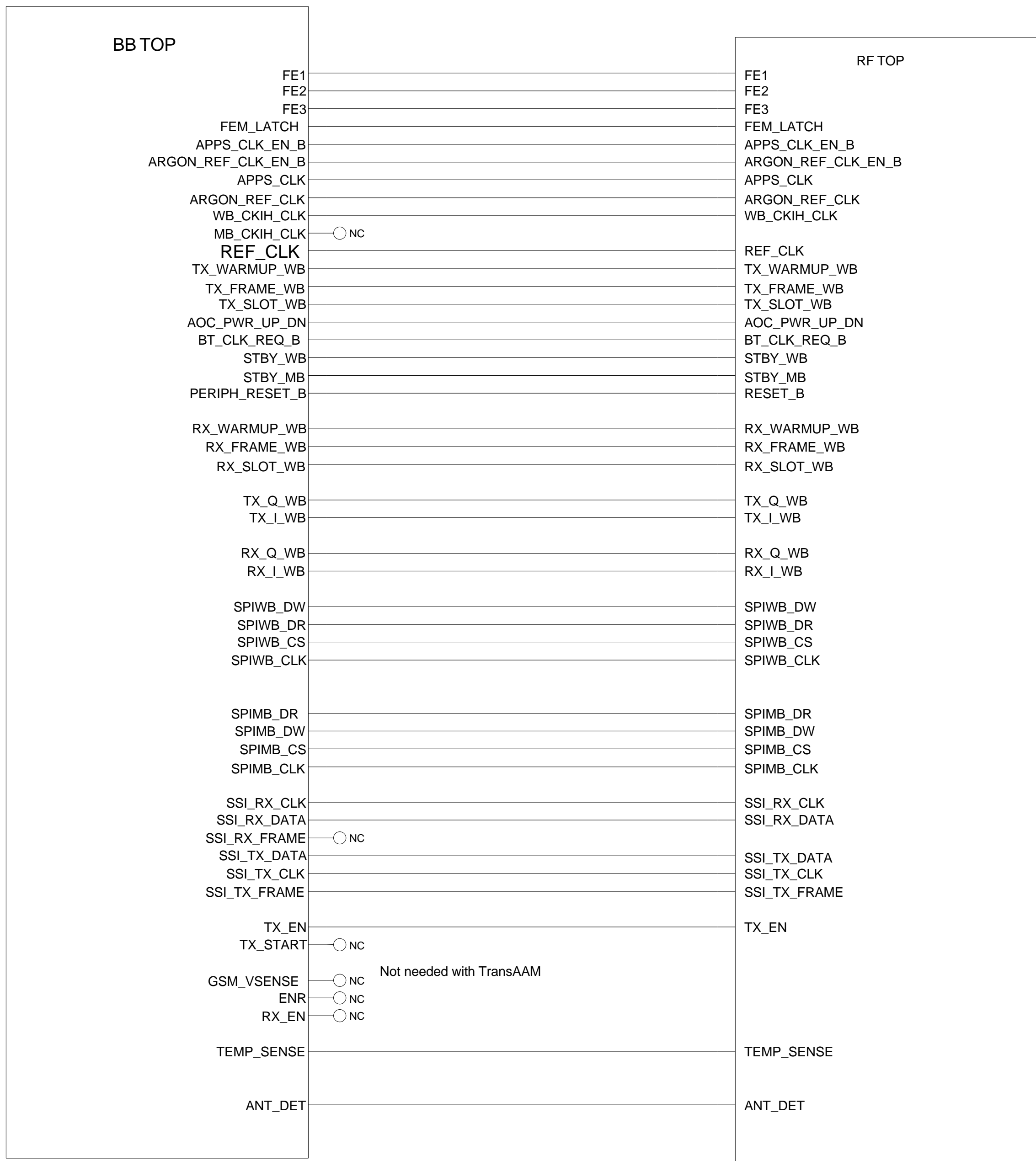


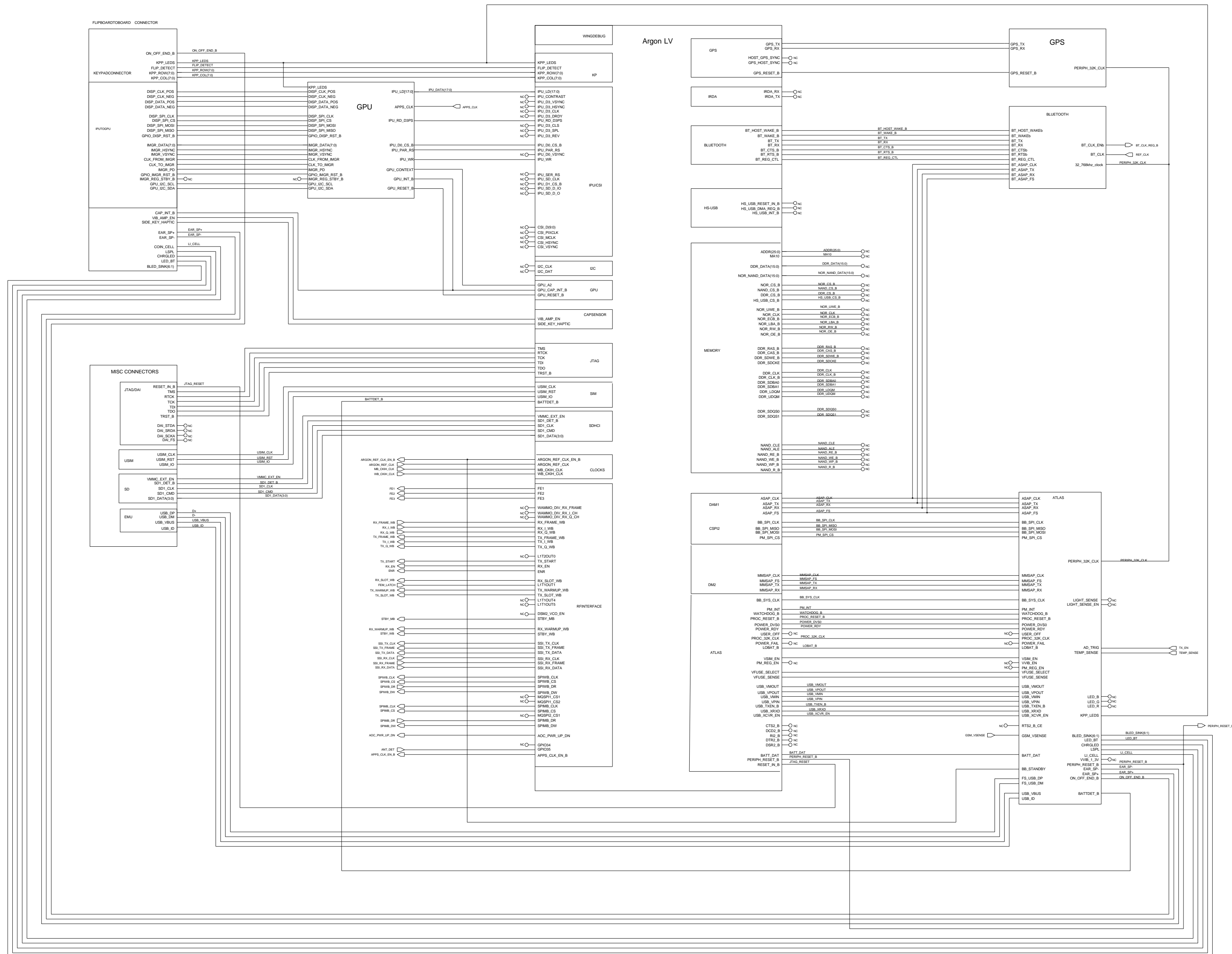
V9x with ORNAND\_5471058R01



Revision 1.0: Initial Drawing



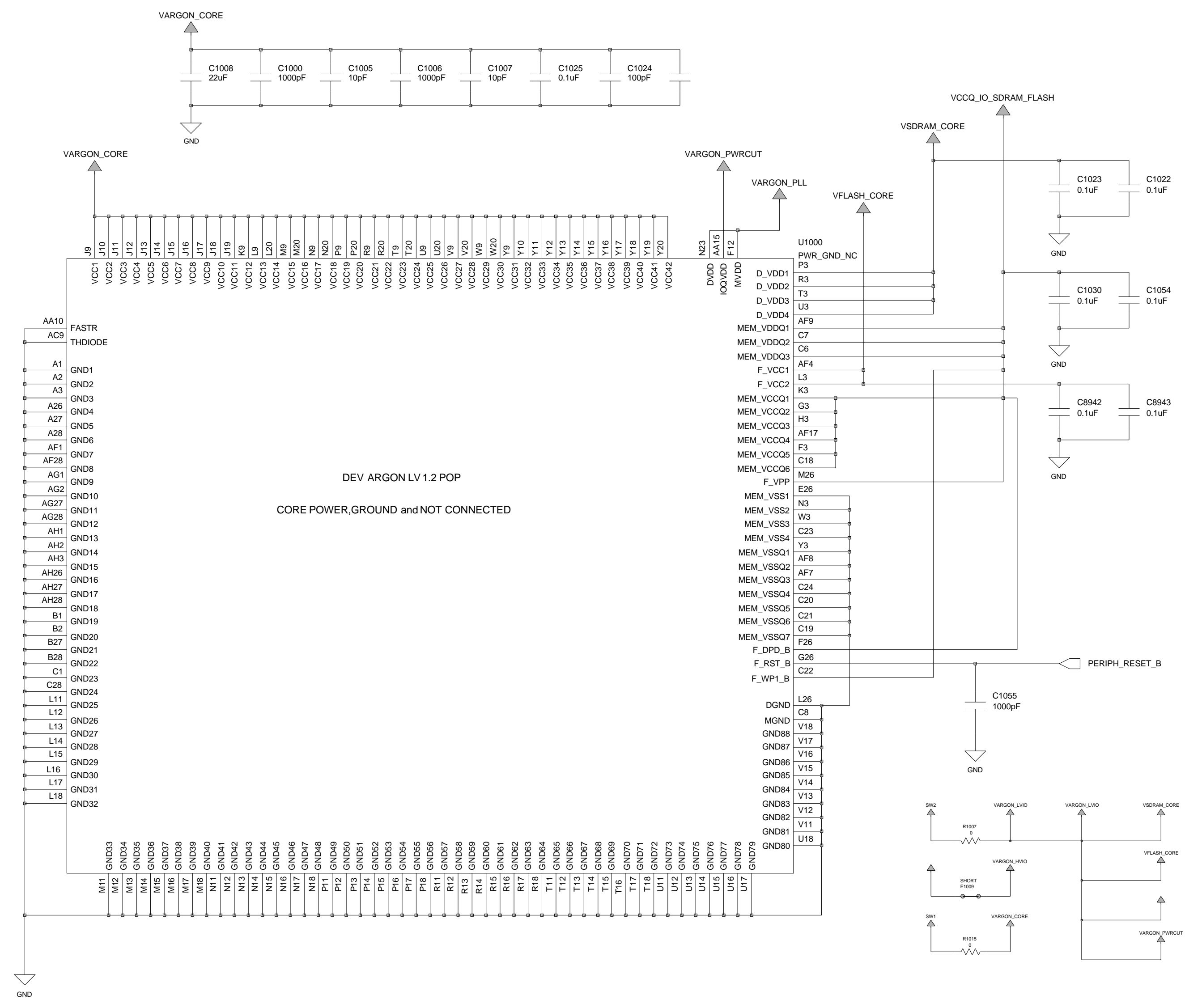
Service, Engineering & Optimization	2008.09.30
Level 3 Schematics	Rev. 1.0
V9 US with ORNAND Memory	8471058R01
	Page 1 of 17



Revision 1.0: Initial Drawing

Service, Engineering & Optimization	2008.09.30
Level 3 Schematics	Rev. 1.0
V9 US with ORNAND Memory	8471058R01
	Page 2 of 17

V9x with ORNAND\_5471058R01

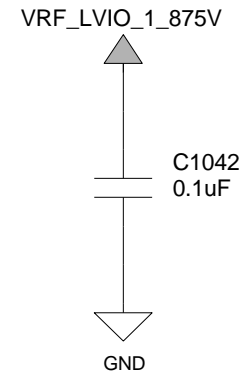


Revision 1.0: Initial Drawing

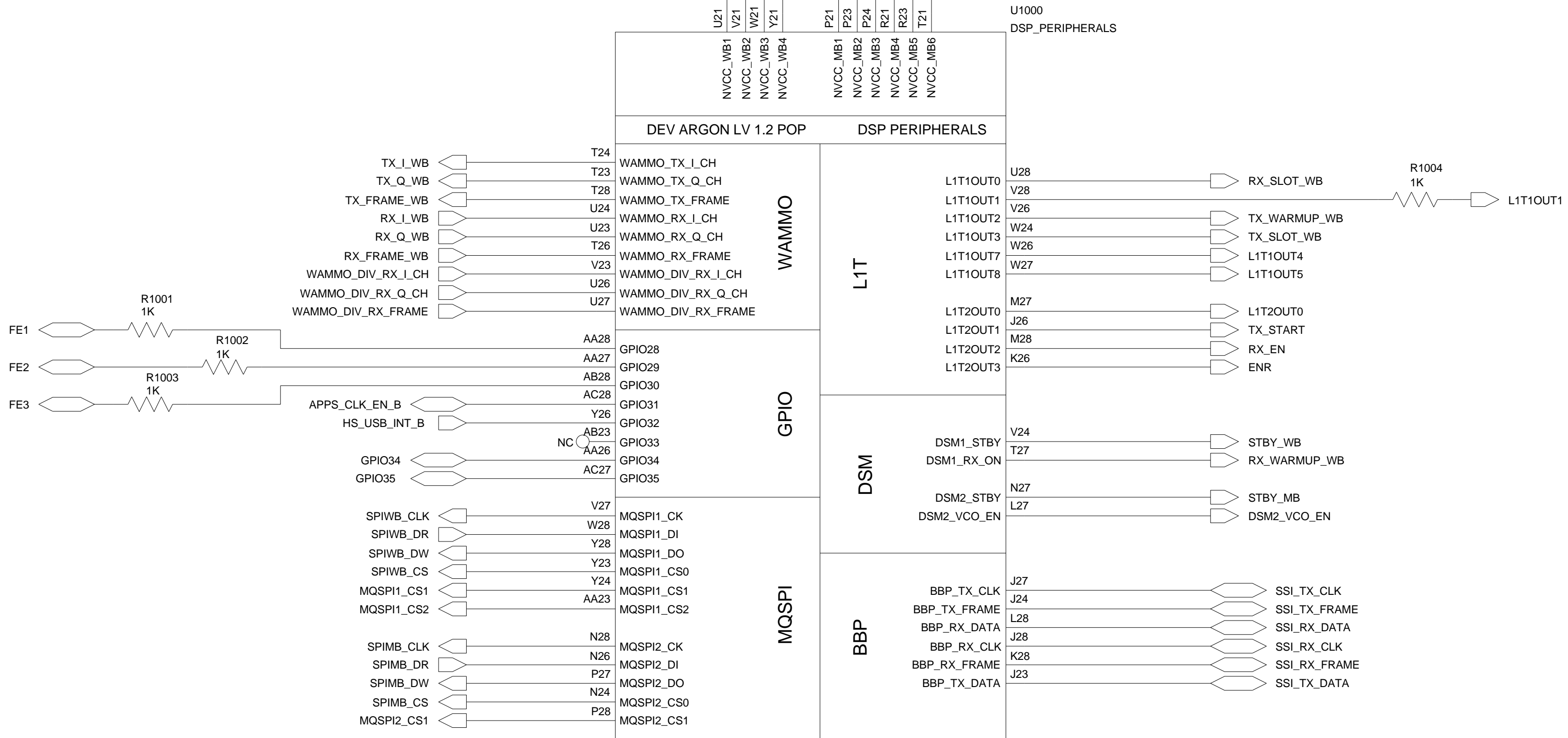


Service, Engineering & Optimization	2008.09.30
Level 3 Schematics	Rev. 1.0
V9 US with ORNAND Memory	8471058R01
	Page 3 of 17

MOTOROLA CONFIDENTIAL PROPRIETARY



VRF\_LVIO\_1\_875V

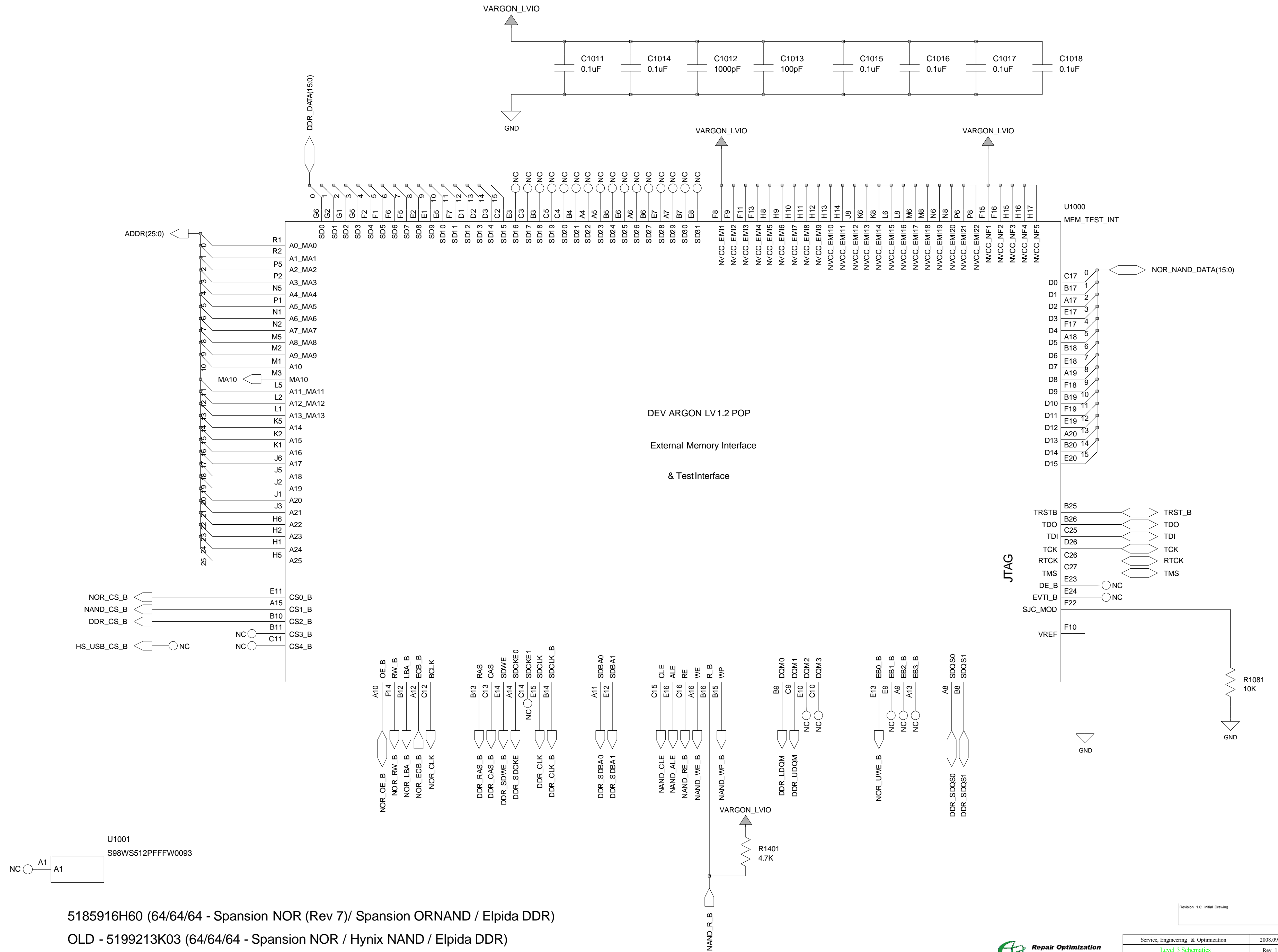


V9x with ORNAND\_5471058R01

Revision 1.0: Initial Drawing



Service, Engineering & Optimization	2008.09.30
Level 3 Schematics	Rev. 1.0
V9 US with ORNAND Memory	8471058R01
	Page 4 of 17



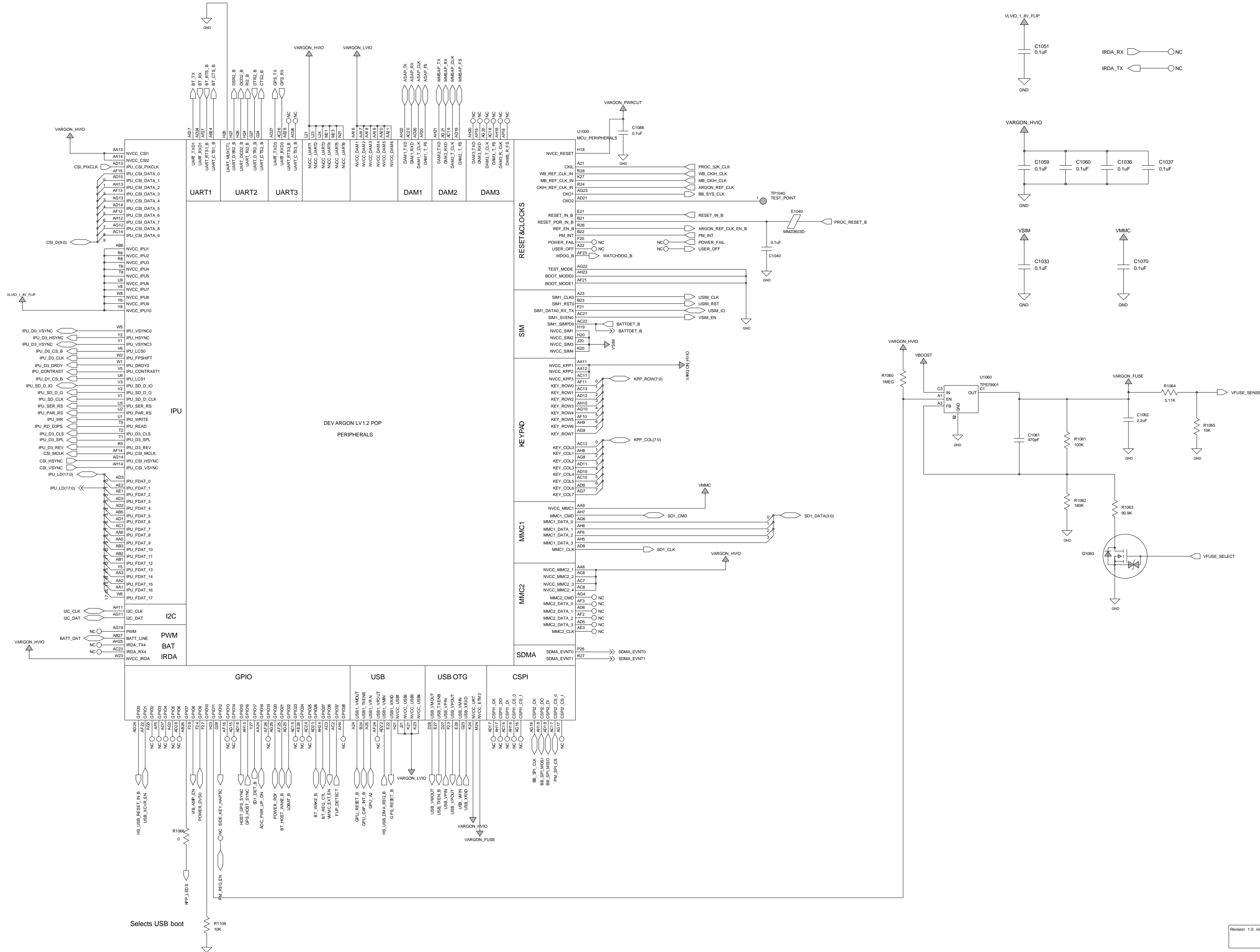
V9x with ORNAND\_5471058R01

5185916H60 (64/64/64 - Spansion NOR (Rev 7)/ Spansion ORNAND / Elpida DDR)

OLD - 5199213K03 (64/64/64 - Spansion NOR / Hynix NAND / Elpida DDR)

Revision 1.0: Initial Drawing

V9x with ORNAND\_5471058R01

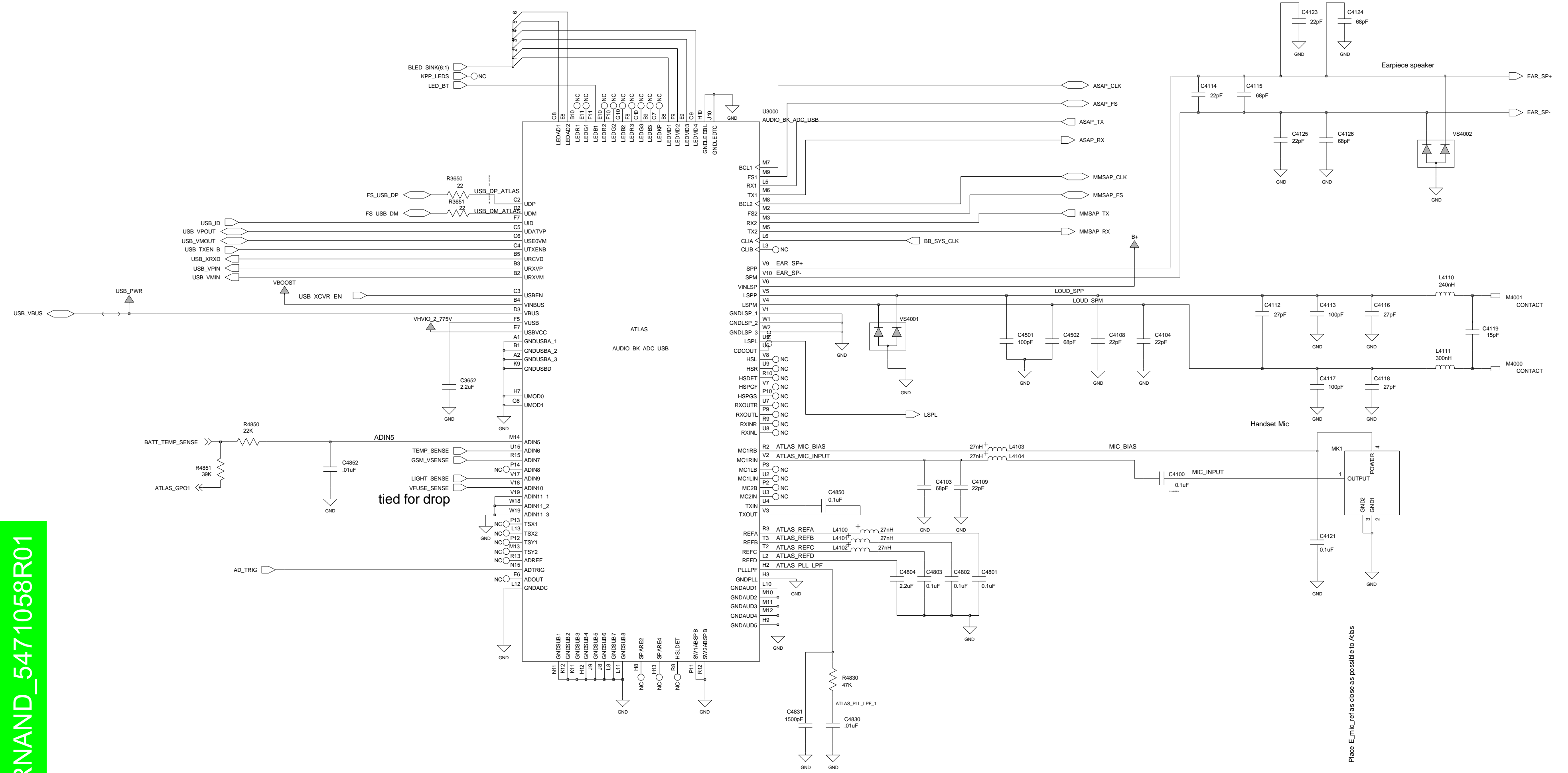
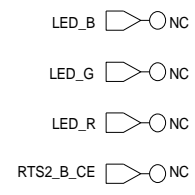


Revision 1.0: Initial Drawing

Repair Optimization  
Service Training  
Level 3 Authorized

Service, Engineering & Optimization	2008.09.30
Level 3 Schematics	Rev. 1.0
V9 US with ORNAND Memory	8471058R01
	Page 6 of 17





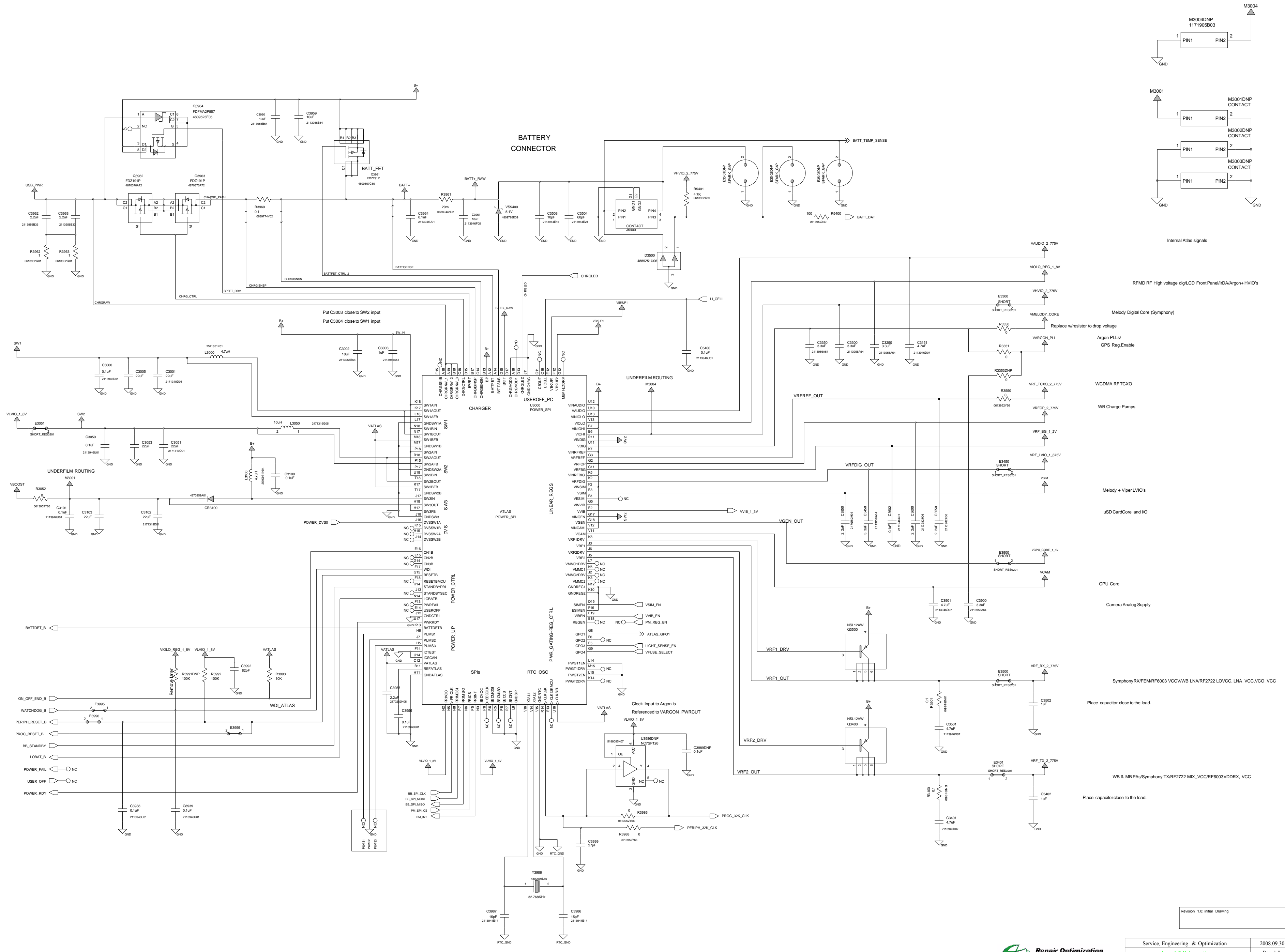
V9x with ORNAND\_5471058R01

Revision 1.0: Initial Drawing

Repair Optimization  
Service Training  
Level 3 Authorized

Service, Engineering & Optimization	2008.09.30
Level 3 Schematics	Rev. 1.0
V9 US with ORNAND Memory	8471058R01
	Page 7 of 17

V9x with ORNAND\_5471058R01



Revision 1.0 Initial Drawing



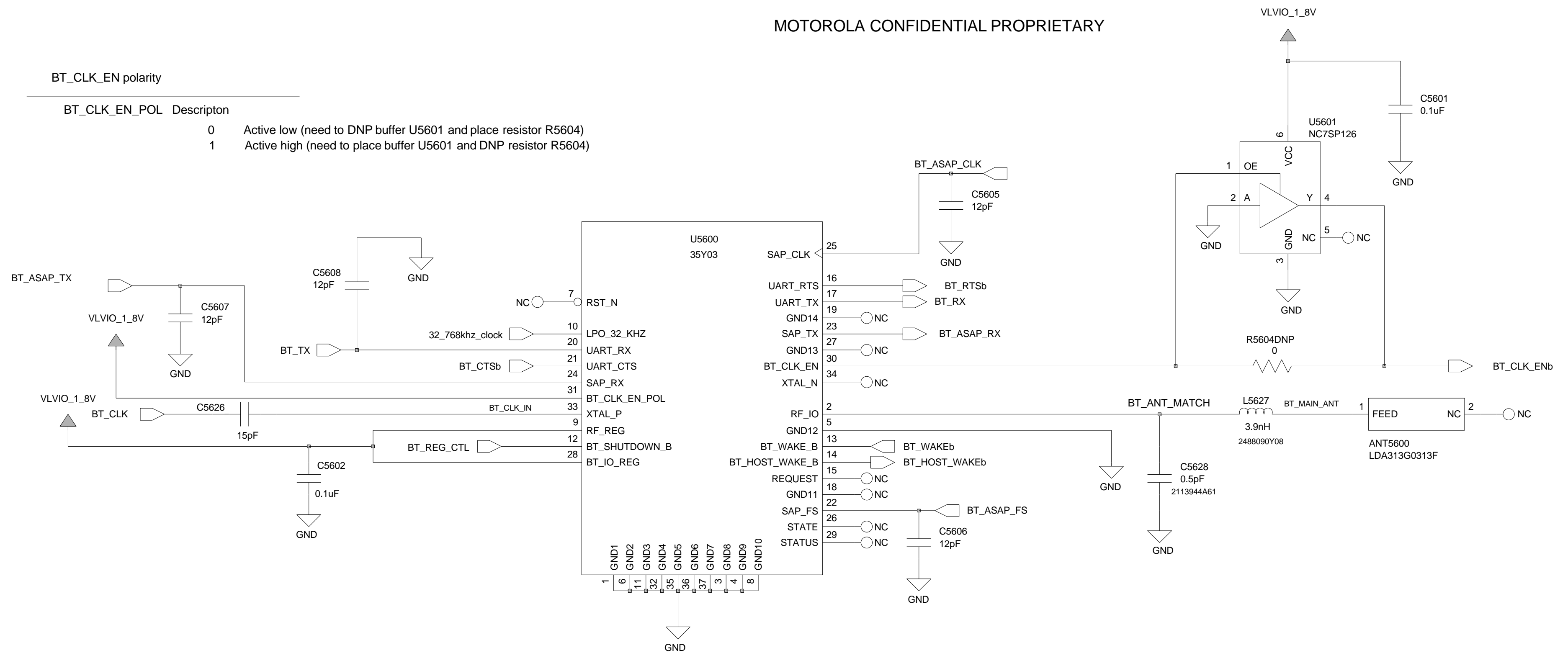
Service, Engineering & Optimization	2008.09.30
Level 3 Schematics	Rev. 1.0
V9US with ORNAND Memory	8471058R01
	Page 8 of 17



MOTOROLA CONFIDENTIAL PROPRIETARY

BT\_CLK\_EN polarity

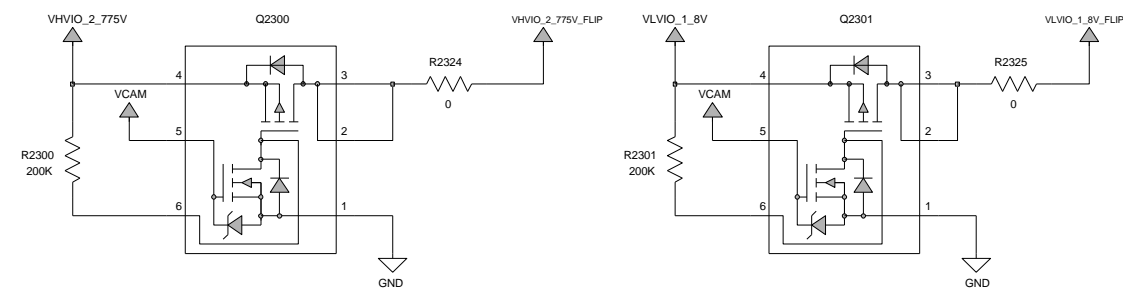
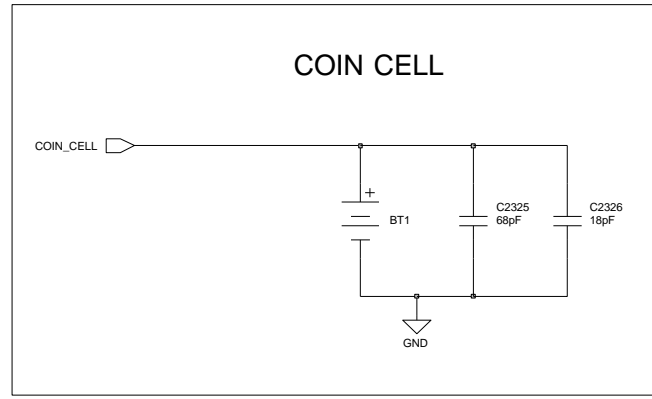
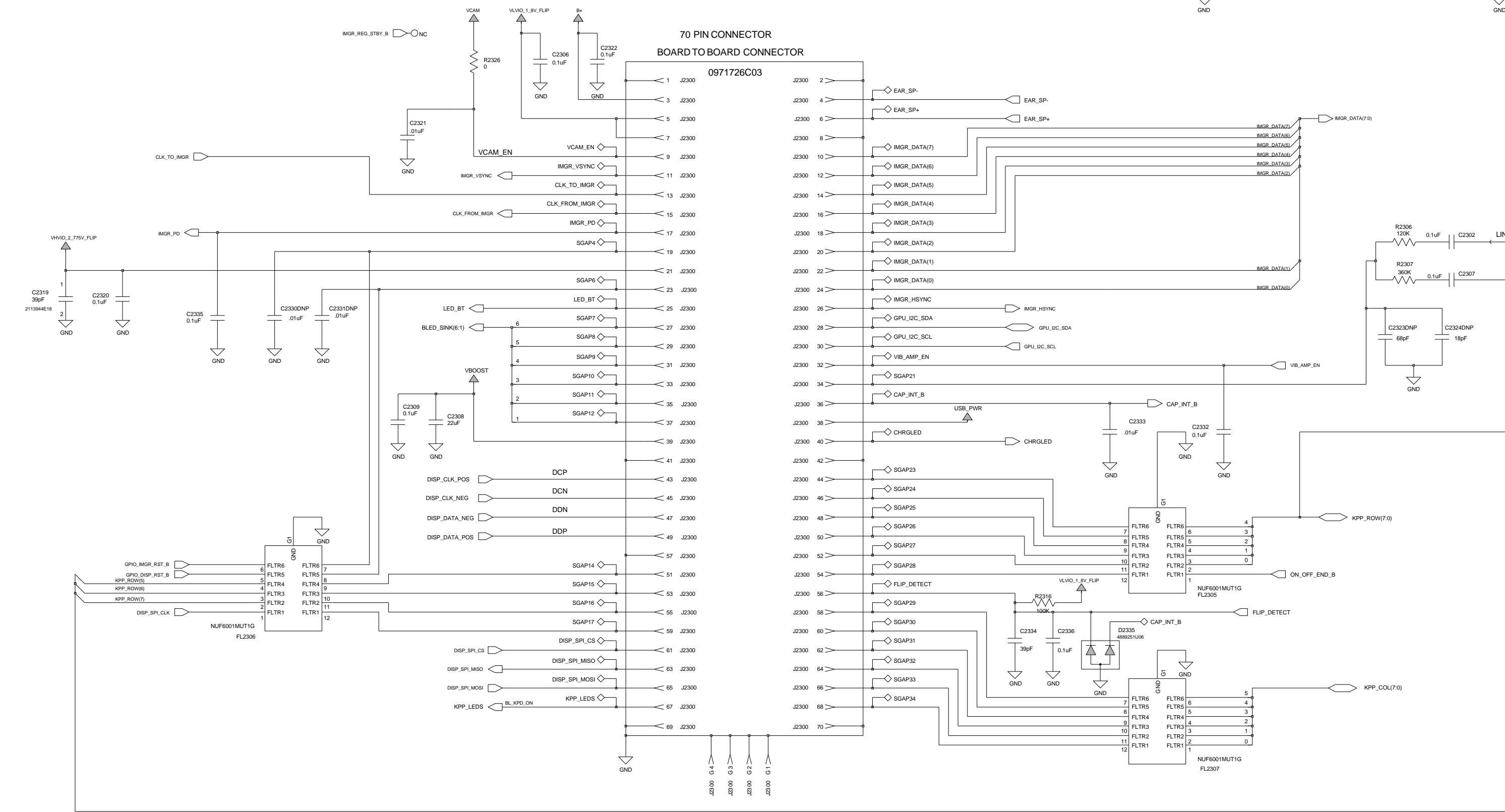
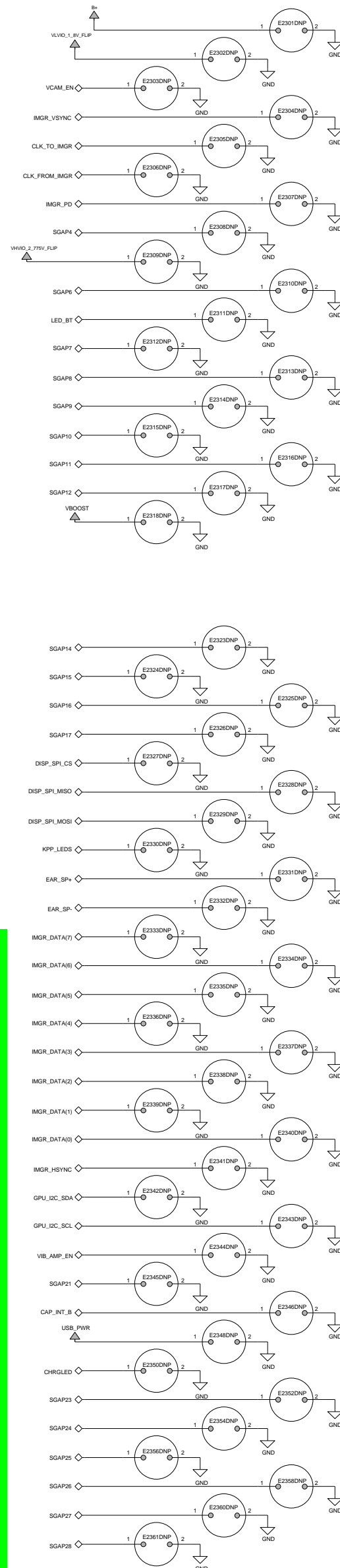
BT_CLK_EN_POL	Descripton
0	Active low (need to DNP buffer U5601 and place resistor R5604)
1	Active high (need to place buffer U5601 and DNP resistor R5604)



V9x with ORNAND\_5471058R01

Revision 1.0: Initial Drawing

V9x with ORNAND\_5471058R01



Revision 1.0: Initial Drawing

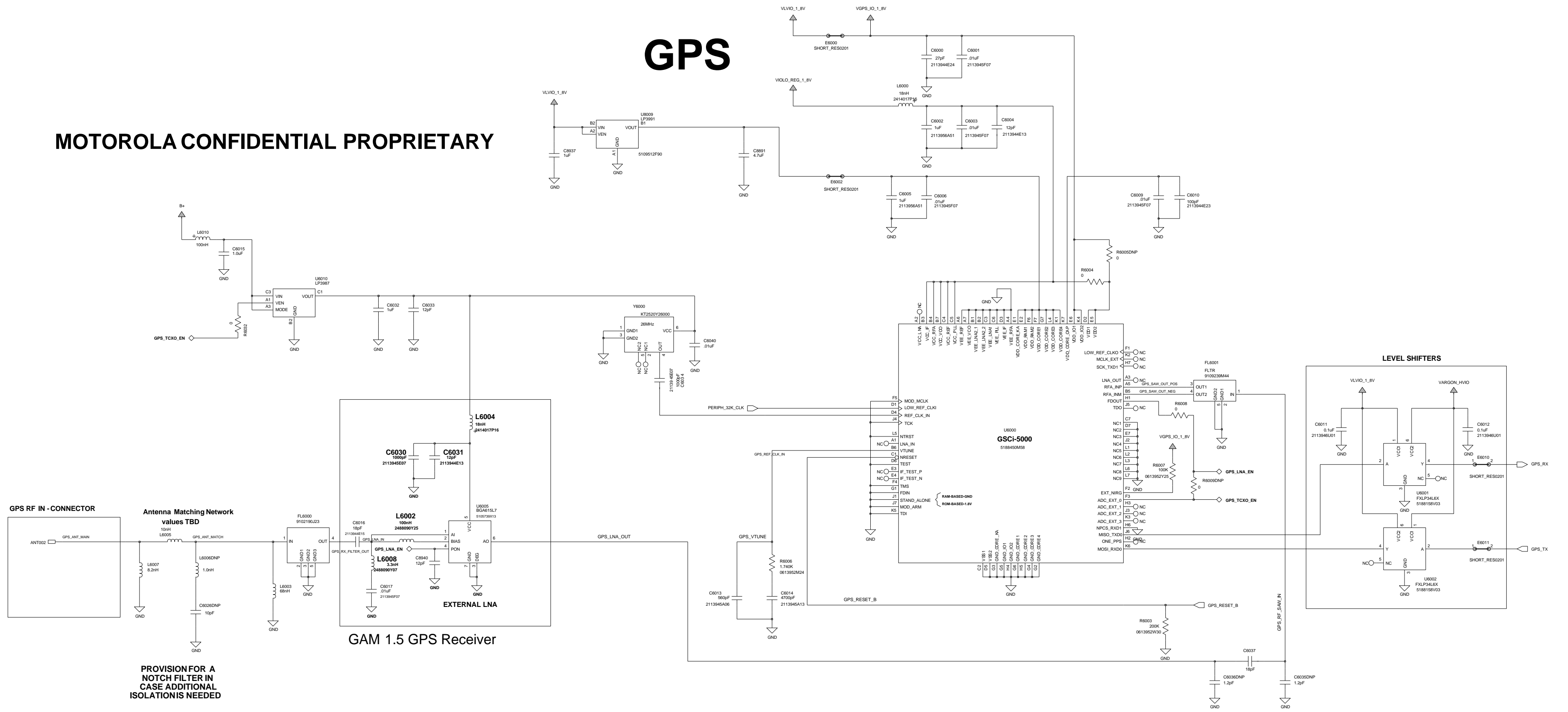
Repair Optimization  
Service Training  
Level 3 Authorized

Service, Engineering & Optimization	2008.09.30
Level 3 Schematics	Rev. 1.0
V9 US with ORNAND Memory	8471058R01
	Page 10 of 17

V9x with ORNAND\_5471058R01

MOTOROLA CONFIDENTIAL PROPRIETARY

# GPS



PROVISION FOR A NOTCH FILTER IN CASE ADDITIONAL ISOLATION IS NEEDED

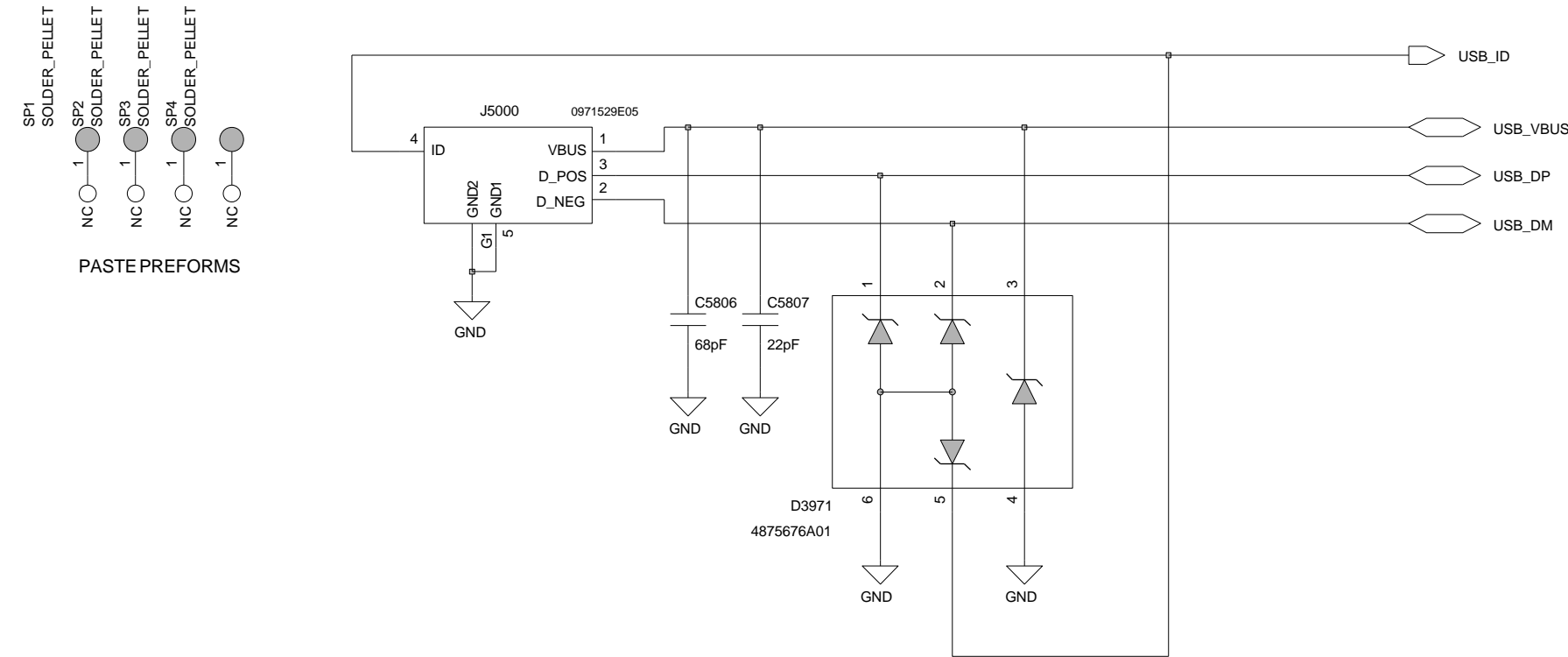
Revision 1.0: Initial Drawing

Repair Optimization  
Service Training  
Level 3 Authorized

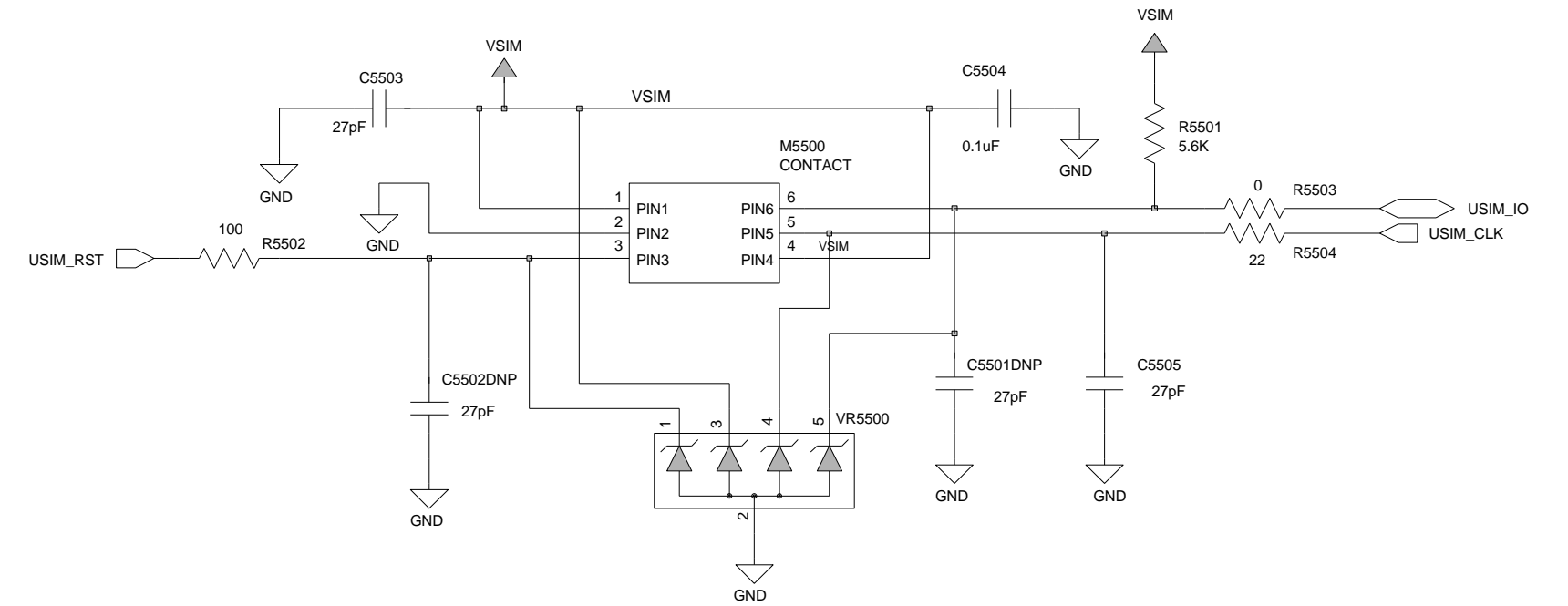
Service, Engineering & Optimization	2008.09.30
Level 3 Schematics	Rev. 1.0
V9 US with ORNAND Memory	8471058R01
	Page 11 of 17



# EMU CONNECTOR



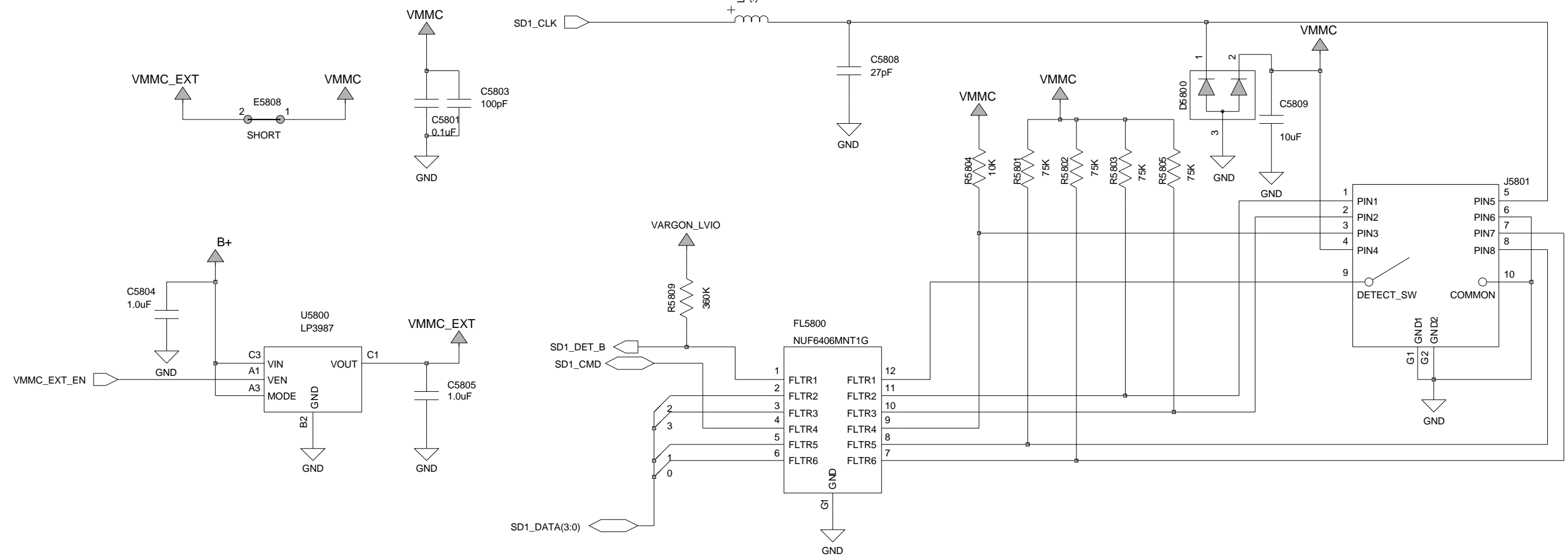
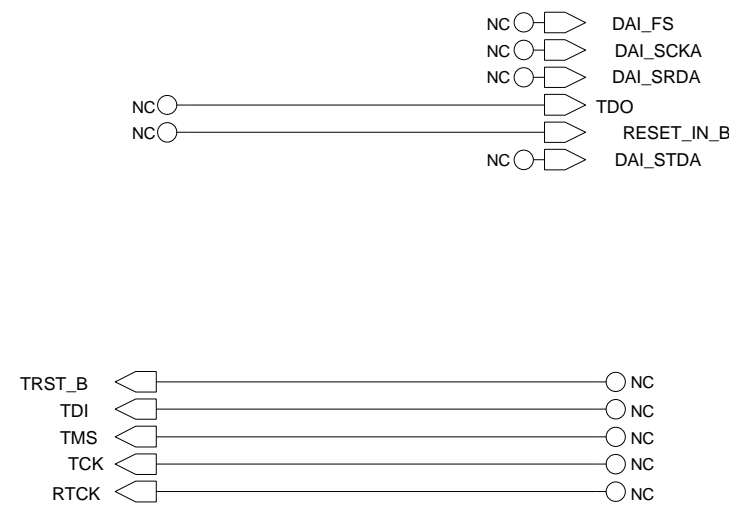
# USIM



# TRANSFLASH

## JTAG/DAI

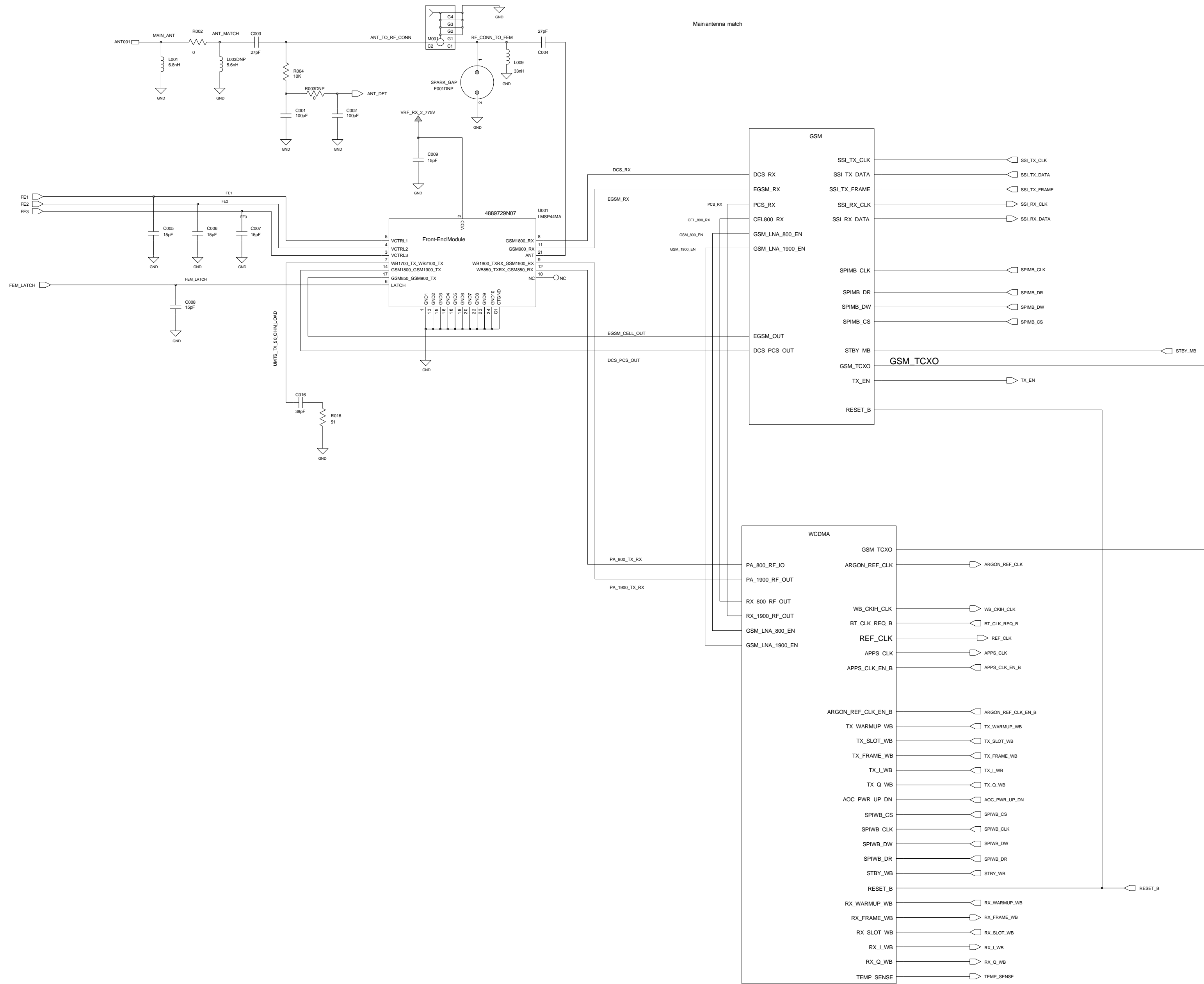
12-pin JTAGconnector



V9x with ORNAND\_5471058R01

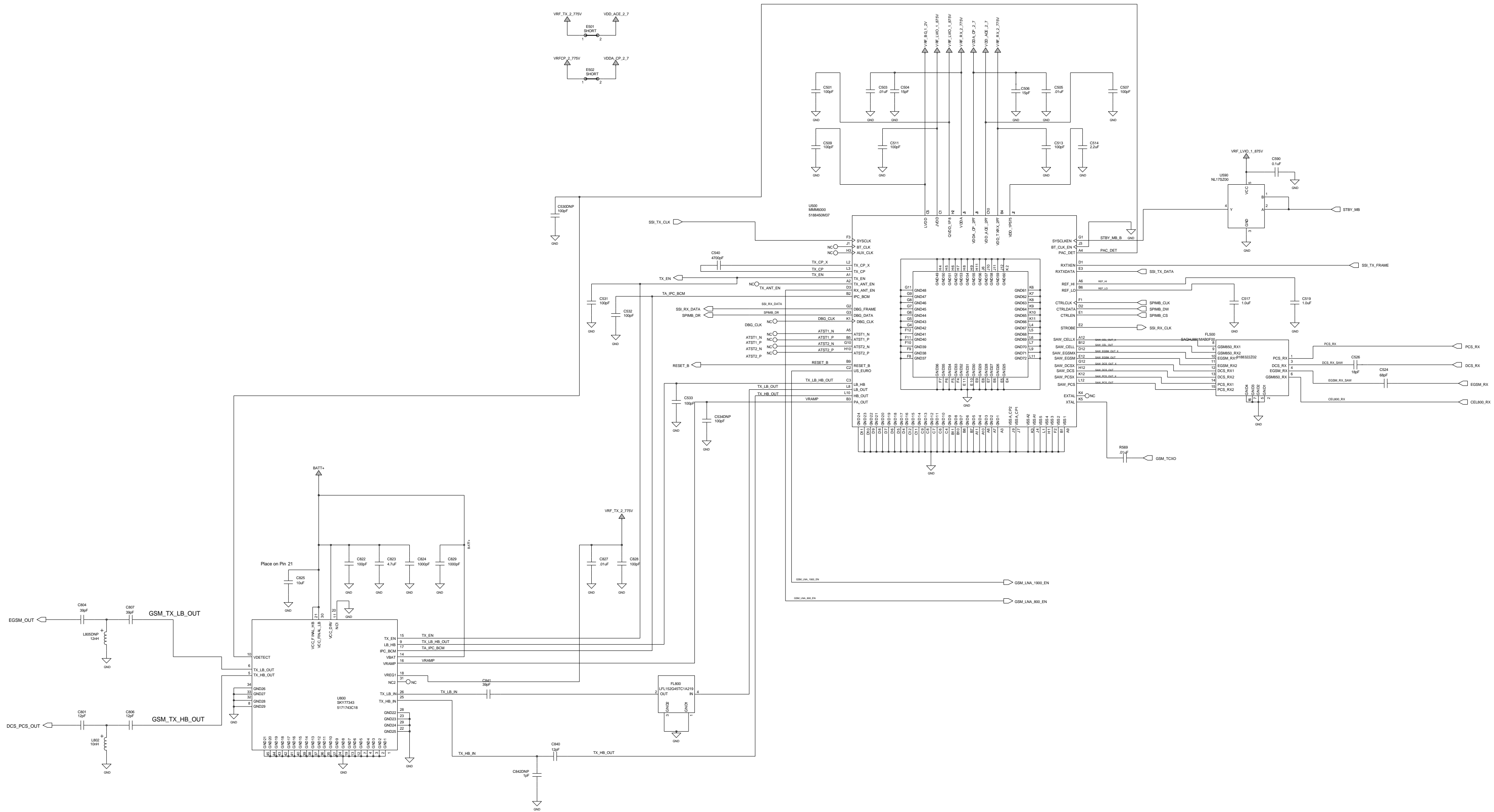
Revision 1.0: Initial Drawing





Revision 1.0: Initial Drawing

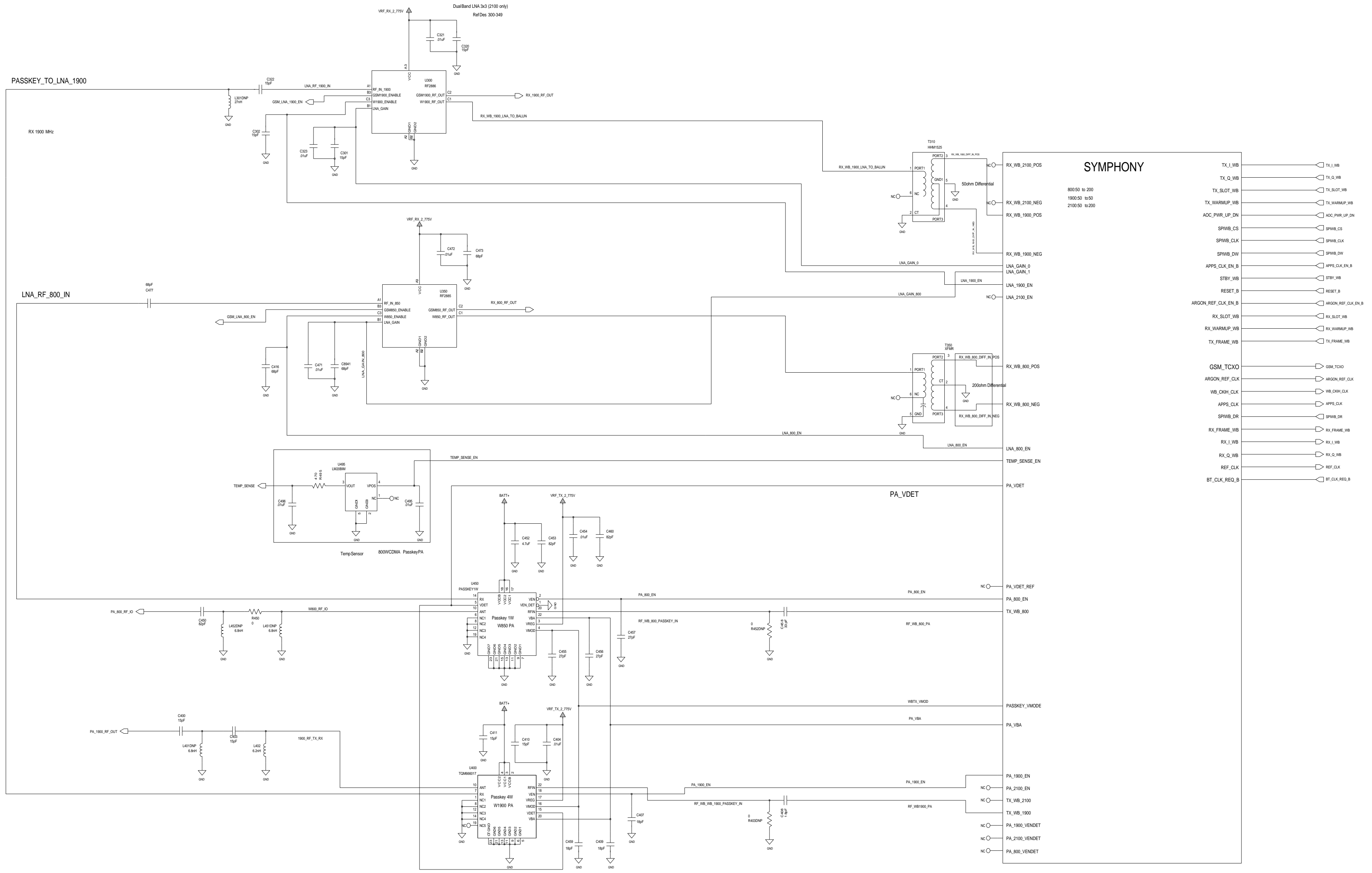
V9x with ORNAND\_5471058R01



Revision 1.0: Initial Drawing



Service, Engineering & Optimization	2008.09.30
Level 3 Schematics	Rev. 1.0
V9 US with ORNAND Memory	8471058R01
	Page 15 of 17



Revision 1.0: Initial Drawing

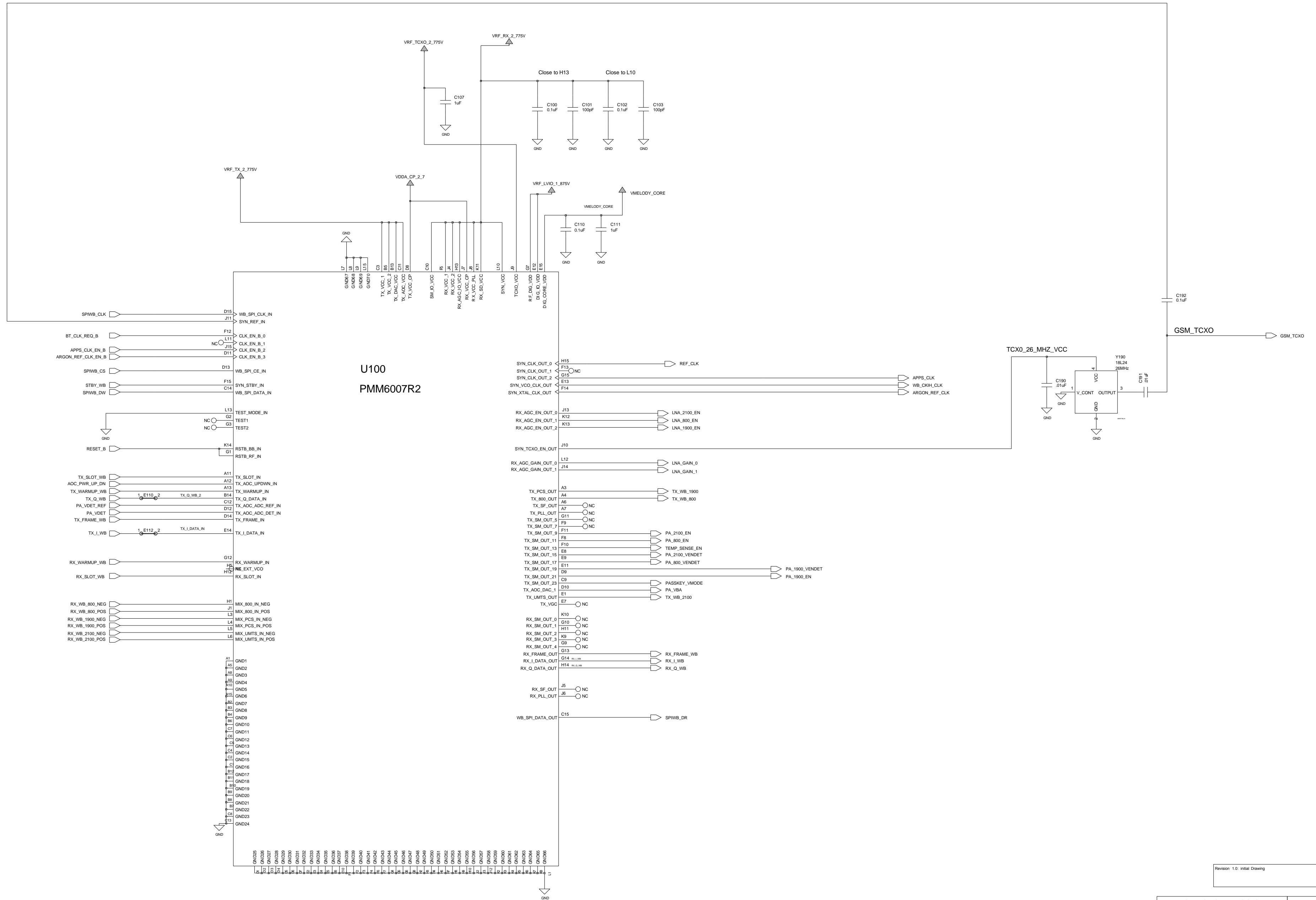
V9x with ORNAND\_5471058R01



Service, Engineering & Optimization	2008.09.30
Level 3 Schematics	Rev. 1.0
V9 US with ORNAND Memory	8471058R01
	Page 16 of 17

# Symphony

SYMPHONY\_REF\_IN



V9x with ORNAND\_5471058R01

Revision 1.0: Initial Drawing



Service, Engineering & Optimization	2008.09.30
Level 3 Schematics	Rev. 1.0
V9 US with ORNAND Memory	8471058R01
	Page 17 of 17