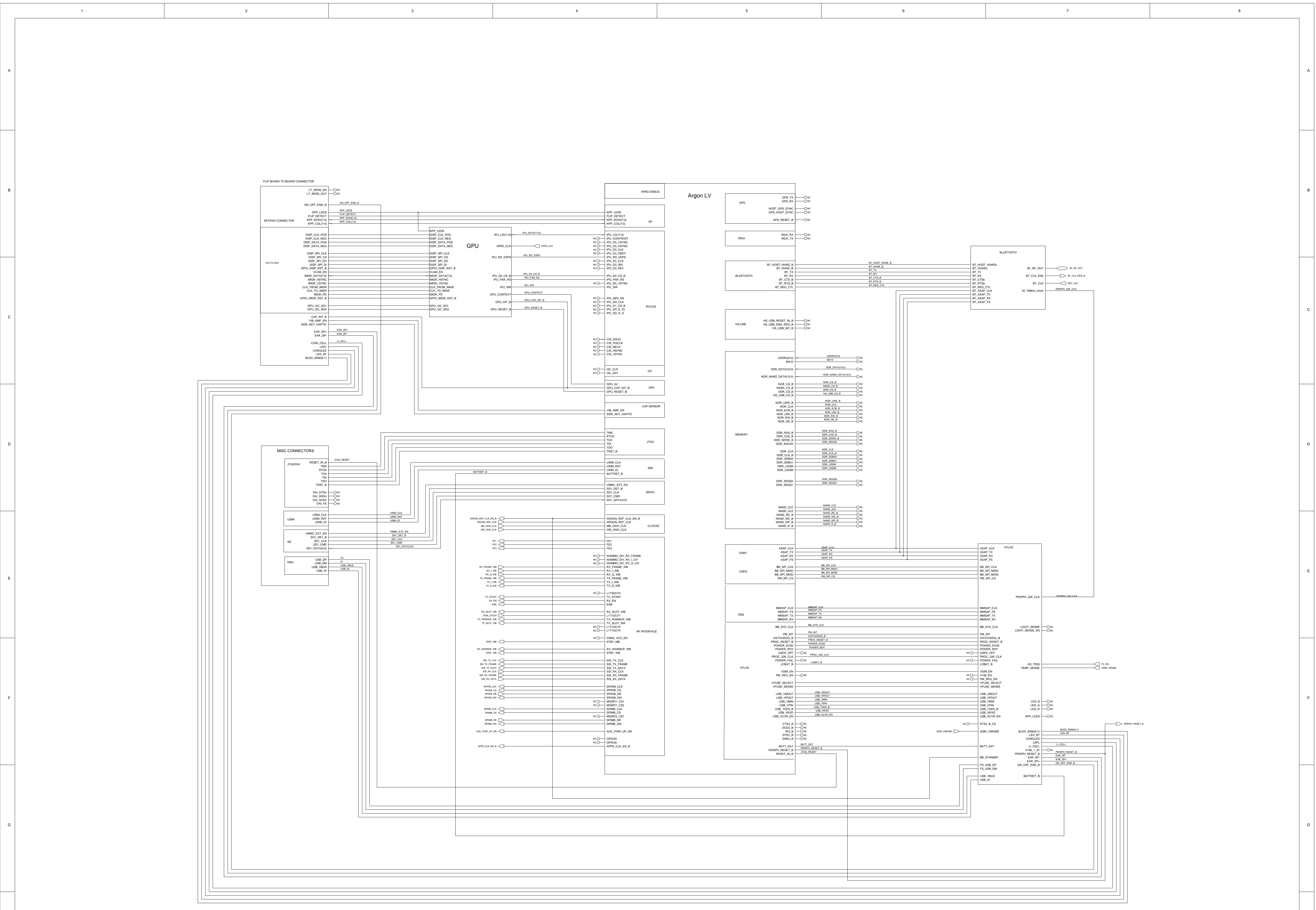




Engineer	COMPANY NAME Address City		
Drawn by			
R&D CHK	TITLE Emerald EMEA	Size D	
DOC CTRL CHK			
MFG CTRL CHK			
QA CHK	REV	Drawing Number 8471274E01	Sheet of

Changed by	Date Released	Time
------------	---------------	------



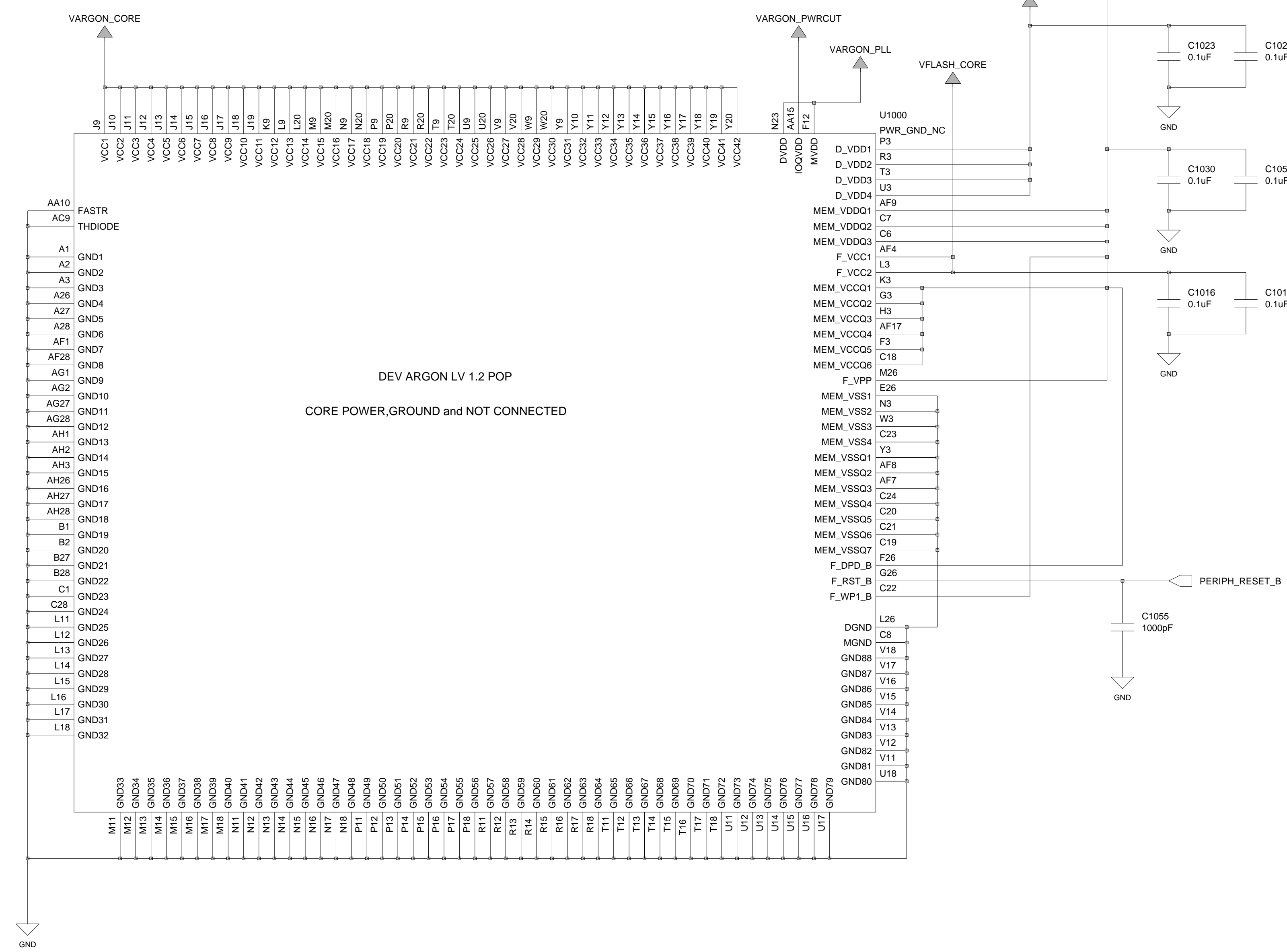
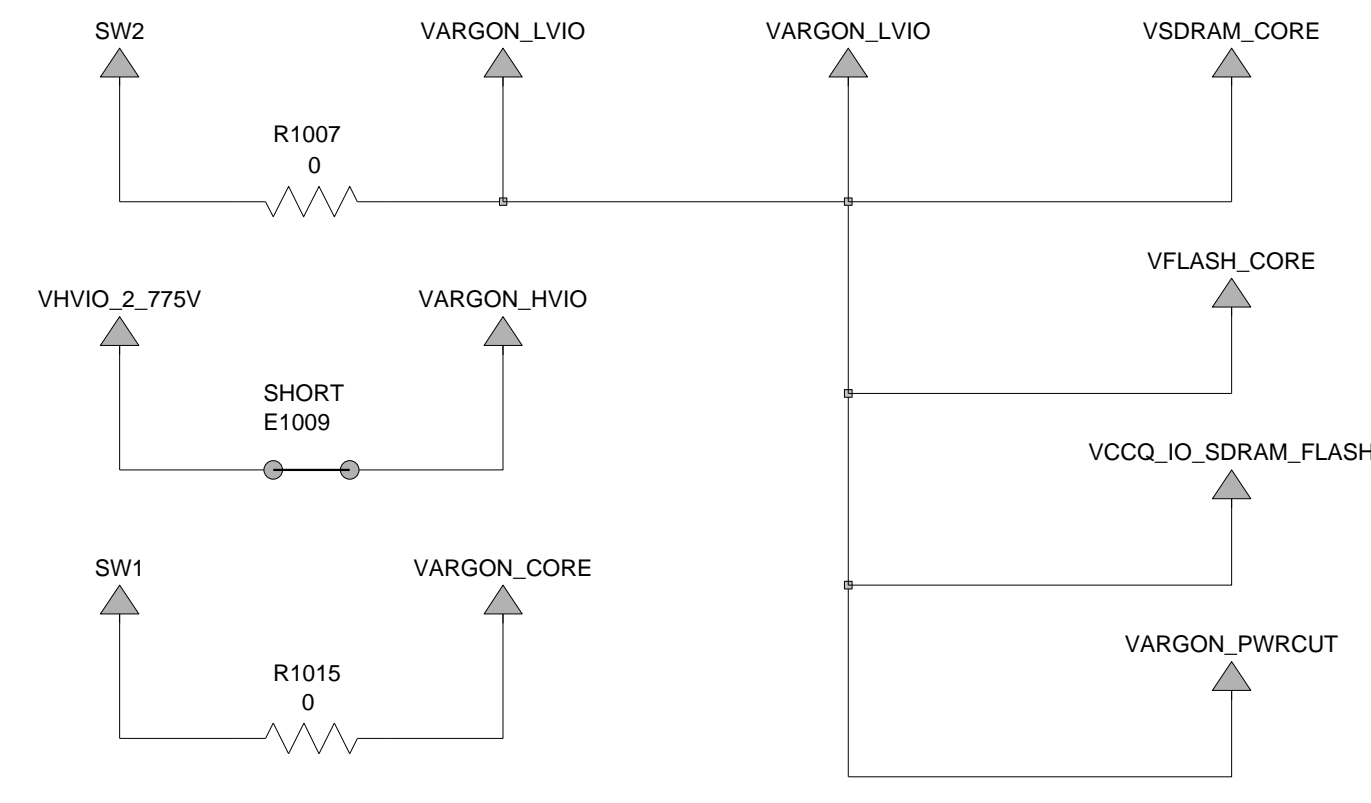
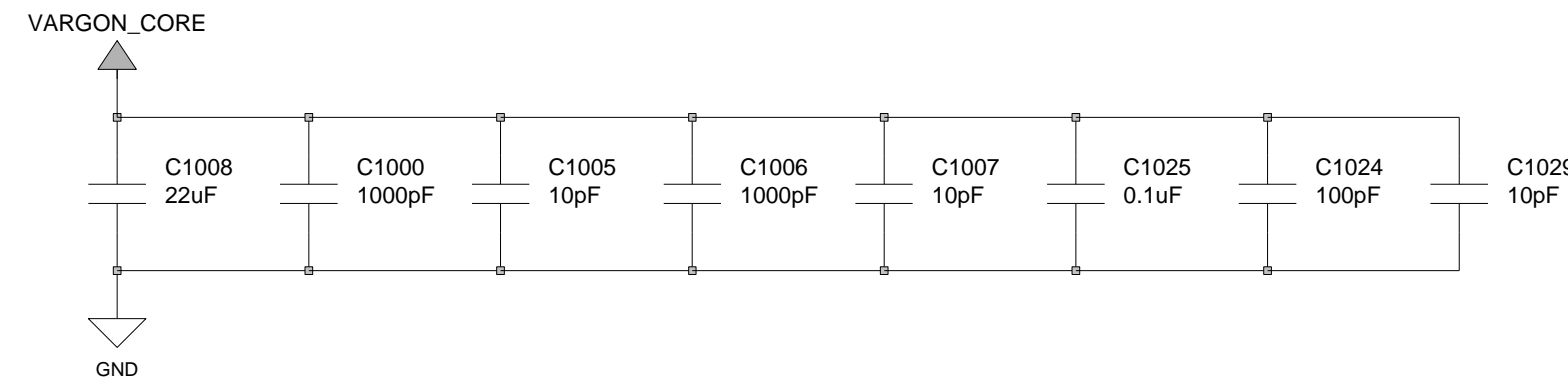
Engineer: G15829	MOTOROLA, INC.		
Drawn by: G15829	TITLE: Baseband_Top		
R&D CHK:	MFG ENGR CHK:		Size: A
DOC CTRL CHK:	REV:		Page: 1
EMERALD EMEA		Drawing Number:	

Changed by:	Date Changed:	Time Changed:	QA CHK:	REV:	Drawing Number:	Page:
-------------	---------------	---------------	---------	------	-----------------	-------

MOTOROLA CONFIDENTIAL PROPRIETARY

4 1 3 A

Engineer: G15829				
Drawn by: G15829				
R&D CHK:	TITLE: ARGON Core_Power	Size: 11x17		
DOC CTRL CHK:	REV:	Drawing Number:	Page:	Of:
MFG CTRL CHK:	QA CHK:	Changed by:	Date:	Time:

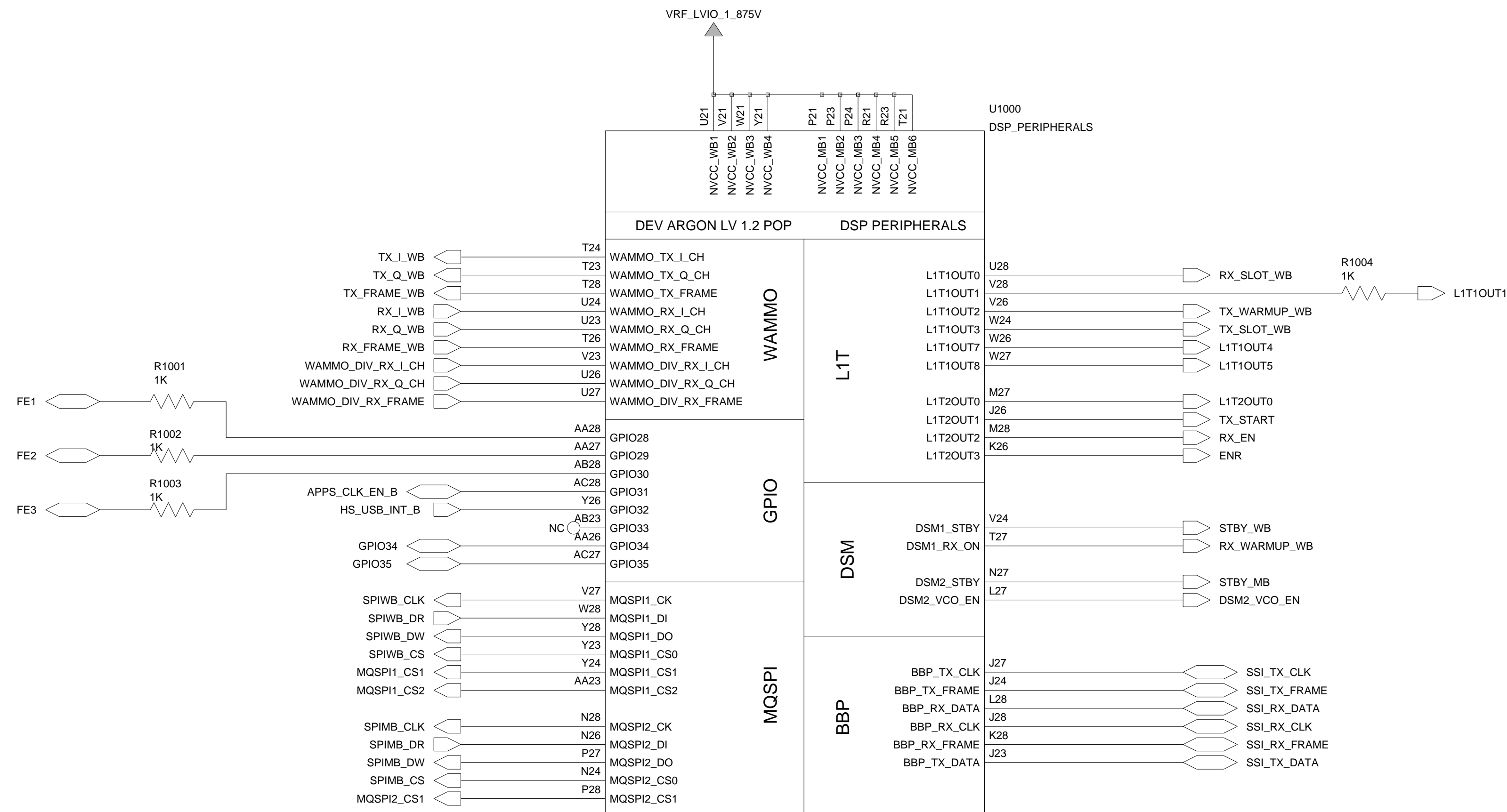
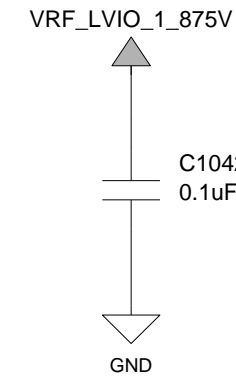


DEV ARGON LV 1.2 POP  
CORE POWER,GROUND and NOT CONNECTED

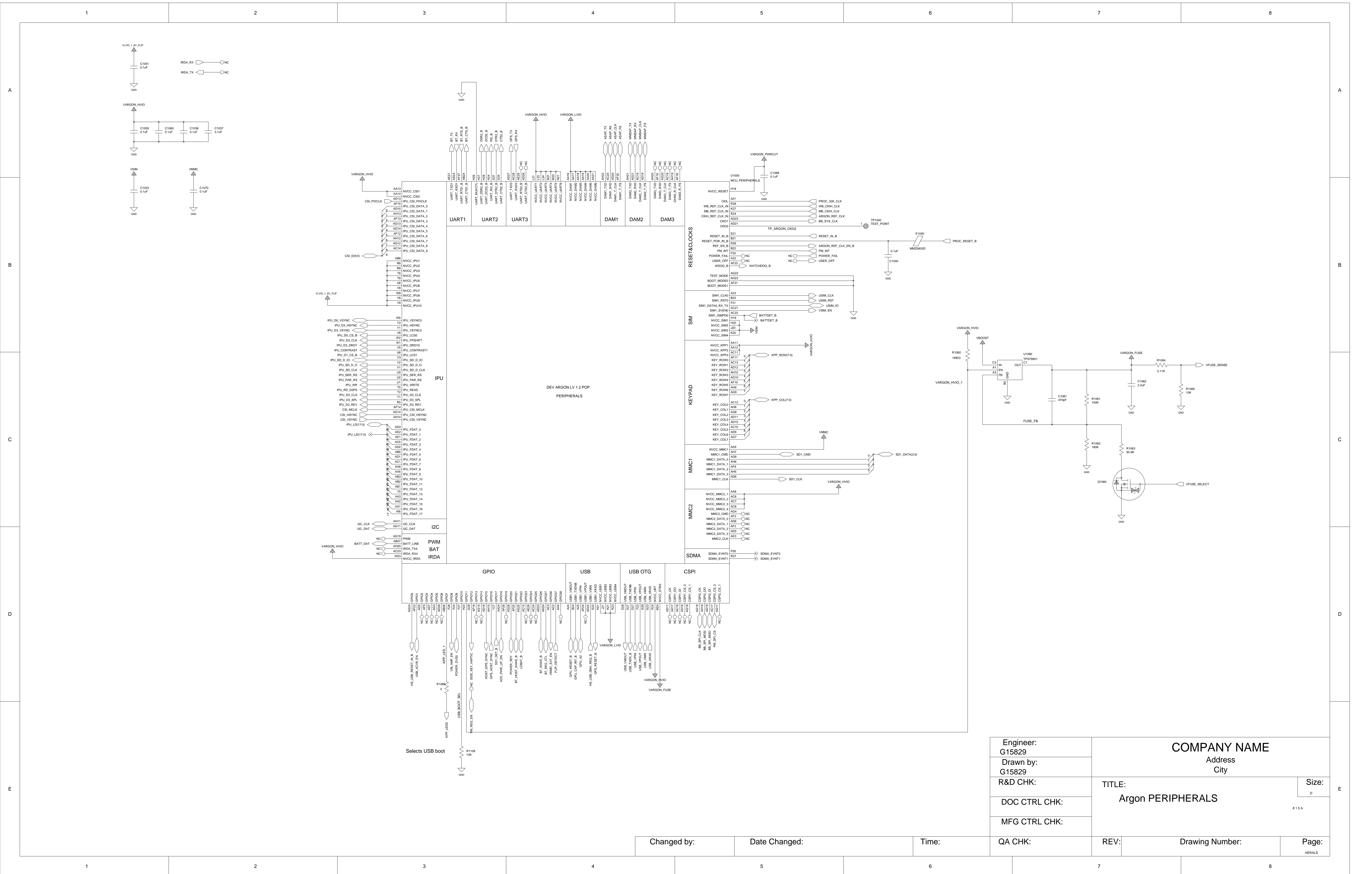
MOTOROLA CONFIDENTIAL PROPRIETARY

4 1 3 A

Engineer: G15829			
Drawn by: G15829			
R&D CHK:		TITLE: ARGON DSP	Size: 11x17
DOC CTRL CHK:			
MFG CTRL CHK:			
QA CHK:	REV: 8xxxxxxxxx	Drawing Number:	Page: Of:
Changed by:	Date:	Time:	



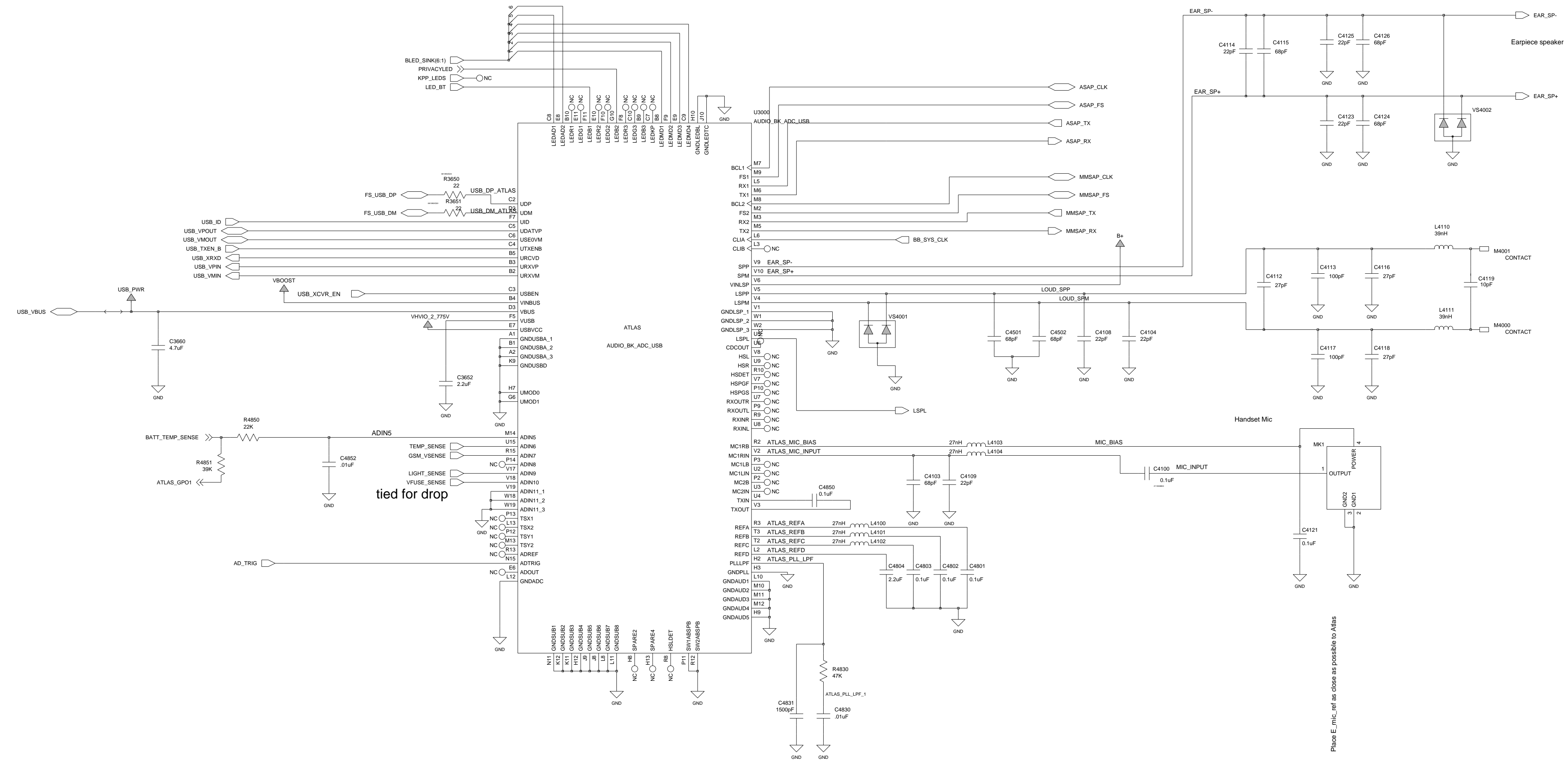




Engineer: G15829	COMPANY NAME Address City		
Drawn by: G15829			
R&D CHK:	TITLE: Argon PERIPHERALS	Size: D	
DOC CTRL CHK:			
MFG CTRL CHK:			
QA CHK:	REV:	Drawing Number:	Page: HERALS

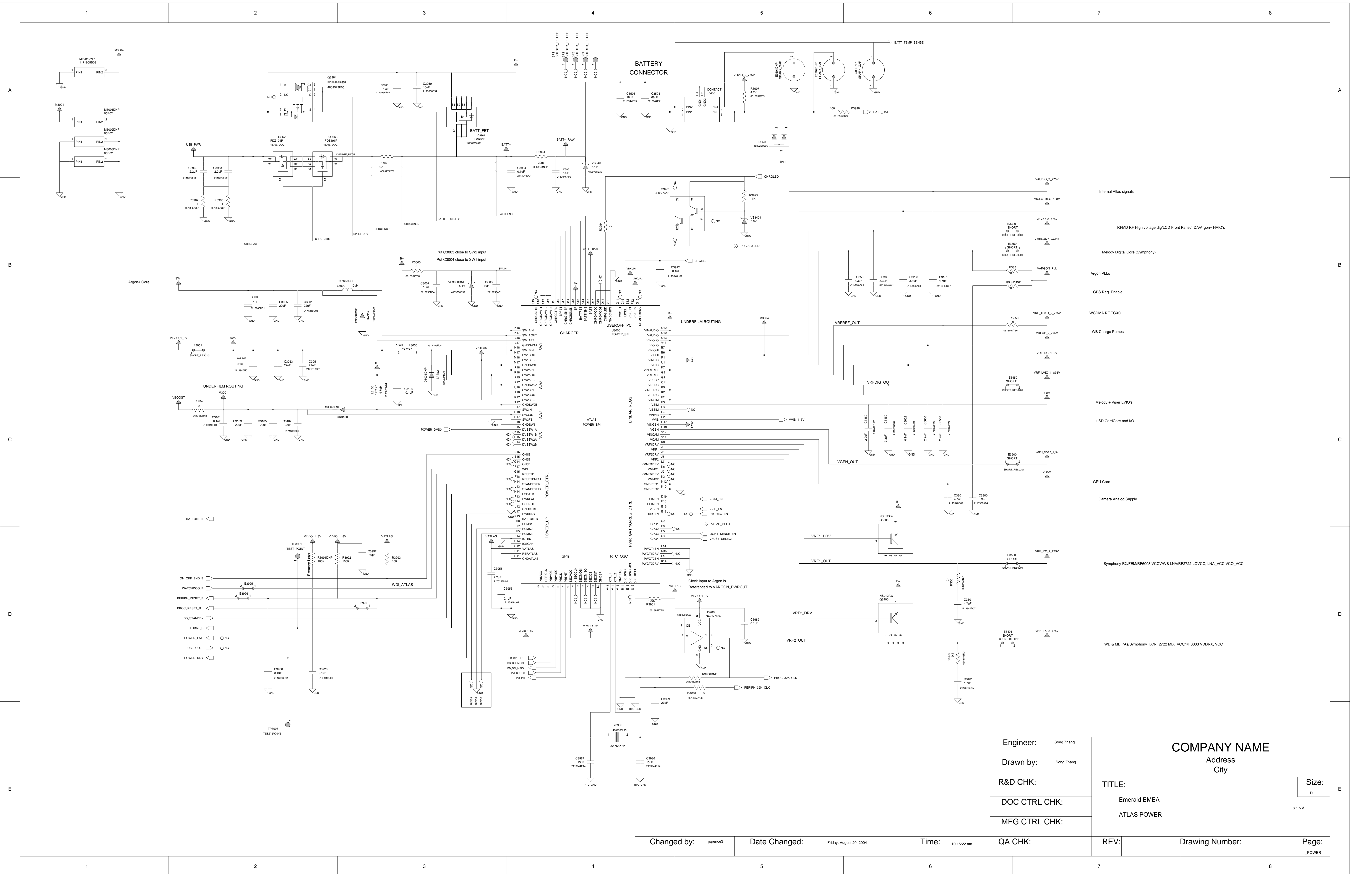
Changed by: \_\_\_\_\_ Date Changed: \_\_\_\_\_ Time: \_\_\_\_\_

LED\_B  $\square$  NC  
 LED\_G  $\square$  NC  
 LED\_R  $\square$  NC  
 RTSR\_B\_CE  $\square$  NC



Engineer: AMK088	<b>MOTOROLA</b> Confidential Proprietary		
Drawn by: AMK088			
R&D CHK:	TITLE:	Size: D	
DOC CTRL CHK:	Emerald EMEA Atlas Audio		
MFG CTRL CHK:			
QA CHK:	REV:	Drawing Number:	Page: _AUDIO

Changed by: \_\_\_\_\_ Date Changed: \_\_\_\_\_ Time: \_\_\_\_\_

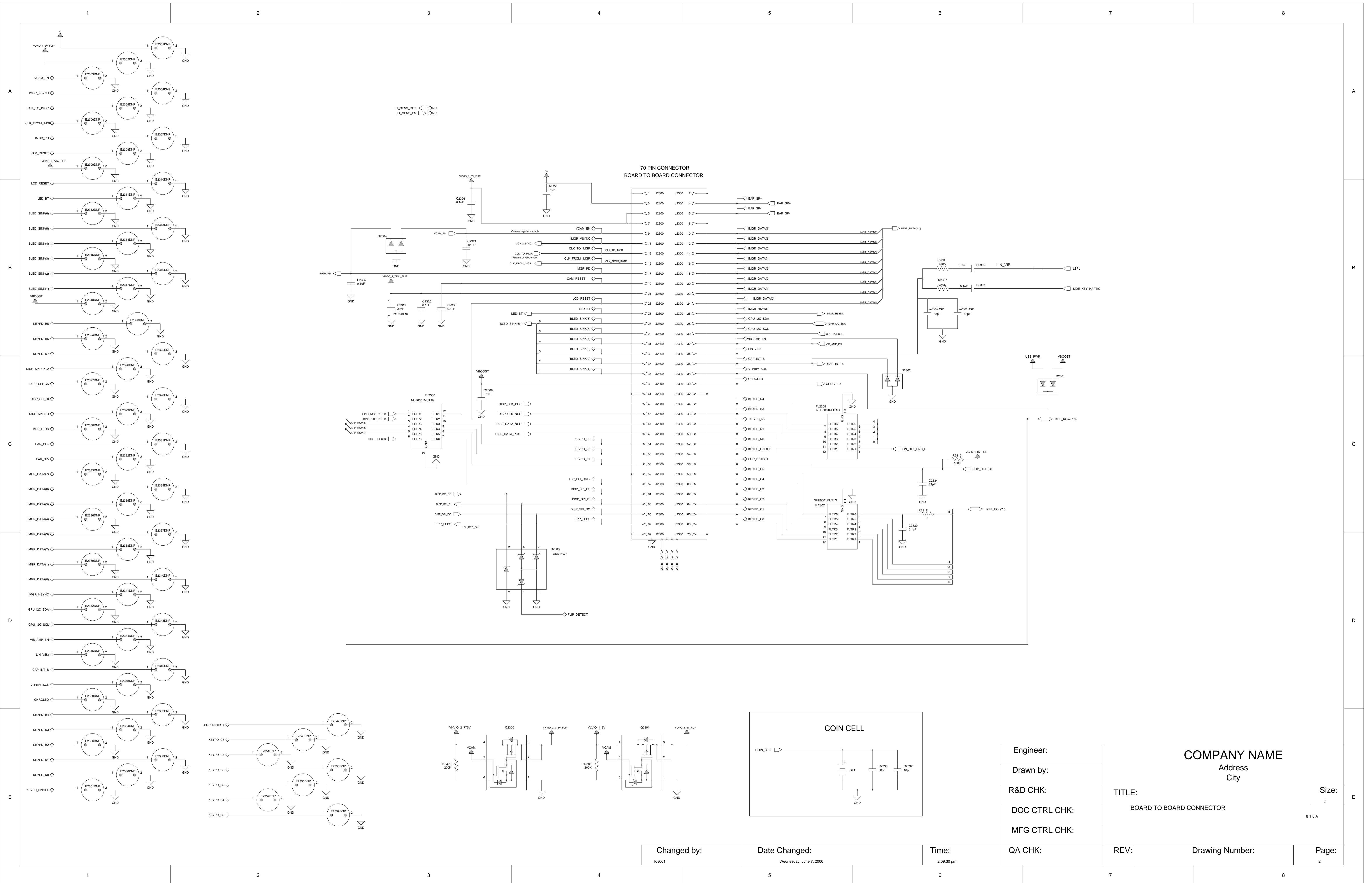


Engineer:	Song Zhang	<b>COMPANY NAME</b> Address City	Size:	D
Drawn by:	Song Zhang		TITLE:	Emerald EMEA ATLAS POWER
R&D CHK:				815 A
DOC CTRL CHK:				
MFG CTRL CHK:				
QA CHK:		REV:	Drawing Number:	Page: _POWER

Changed by: jipence3 Date Changed: Friday, August 20, 2004 Time: 10:15:22 am

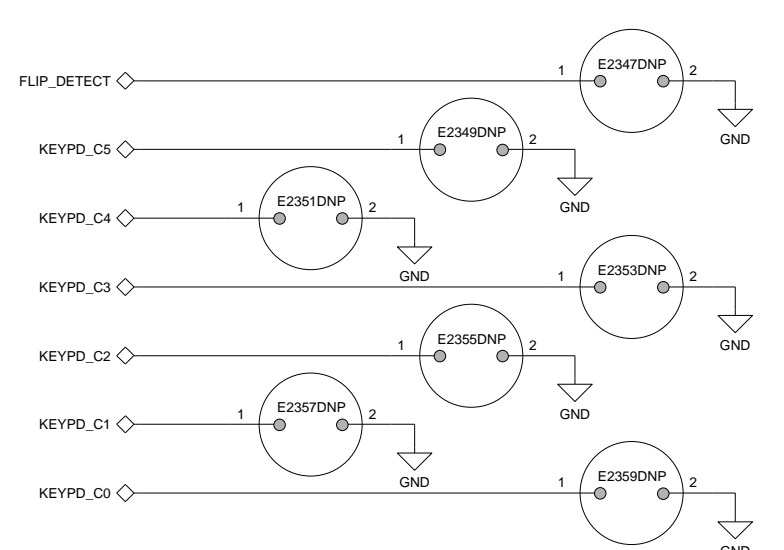
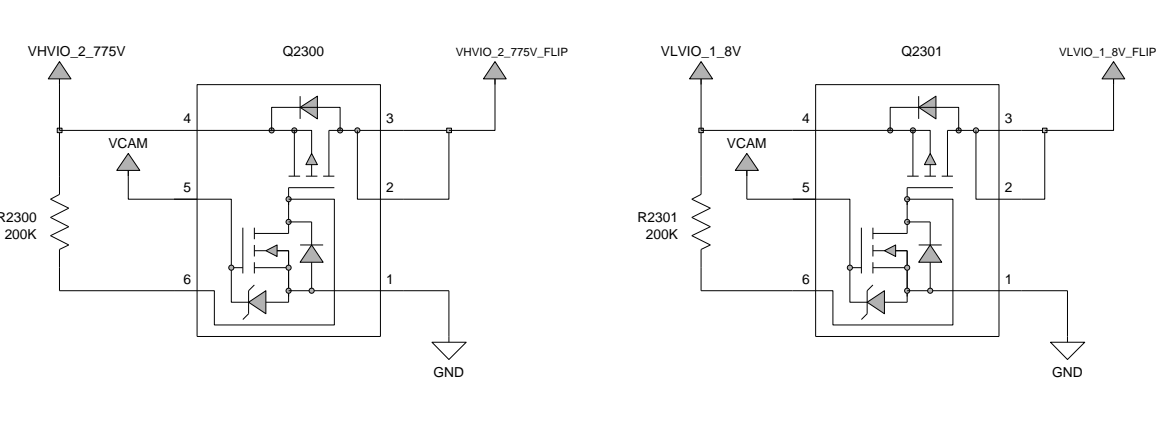
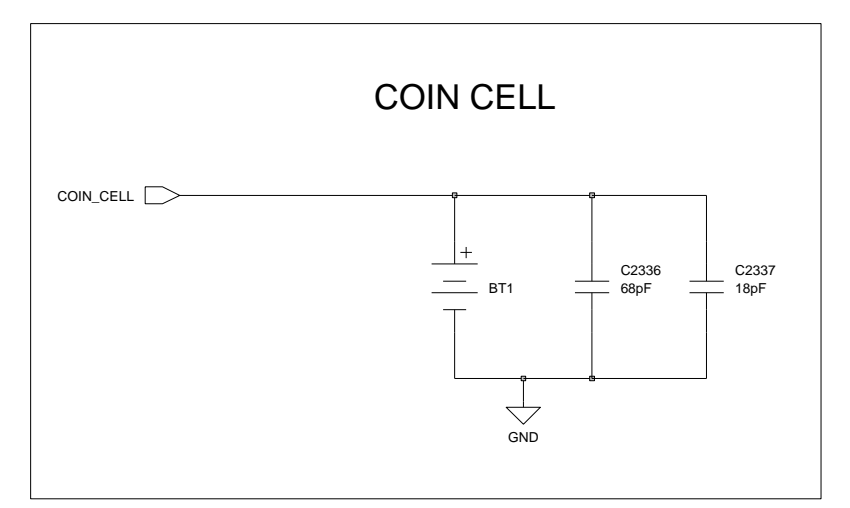






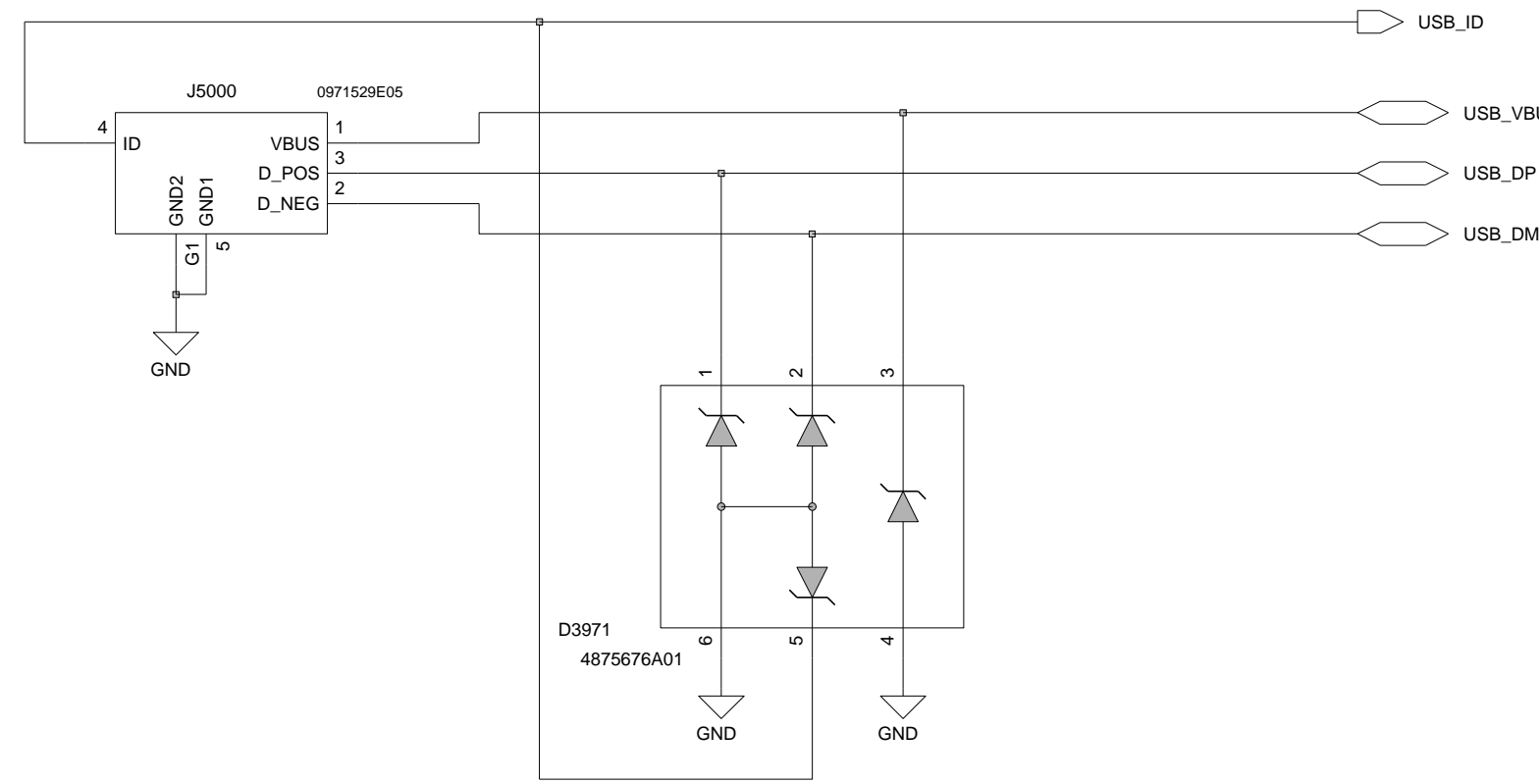
Engineer:	COMPANY NAME Address City		
Drawn by:			
R&D CHK:	TITLE:	Size: D	
DOC CTRL CHK:	BOARD TO BOARD CONNECTOR	815 A	
MFG CTRL CHK:	REV:	Drawing Number:	Page: 2
QA CHK:			

Changed by: fox001 Date Changed: Wednesday, June 7, 2006 Time: 2:09:30 pm

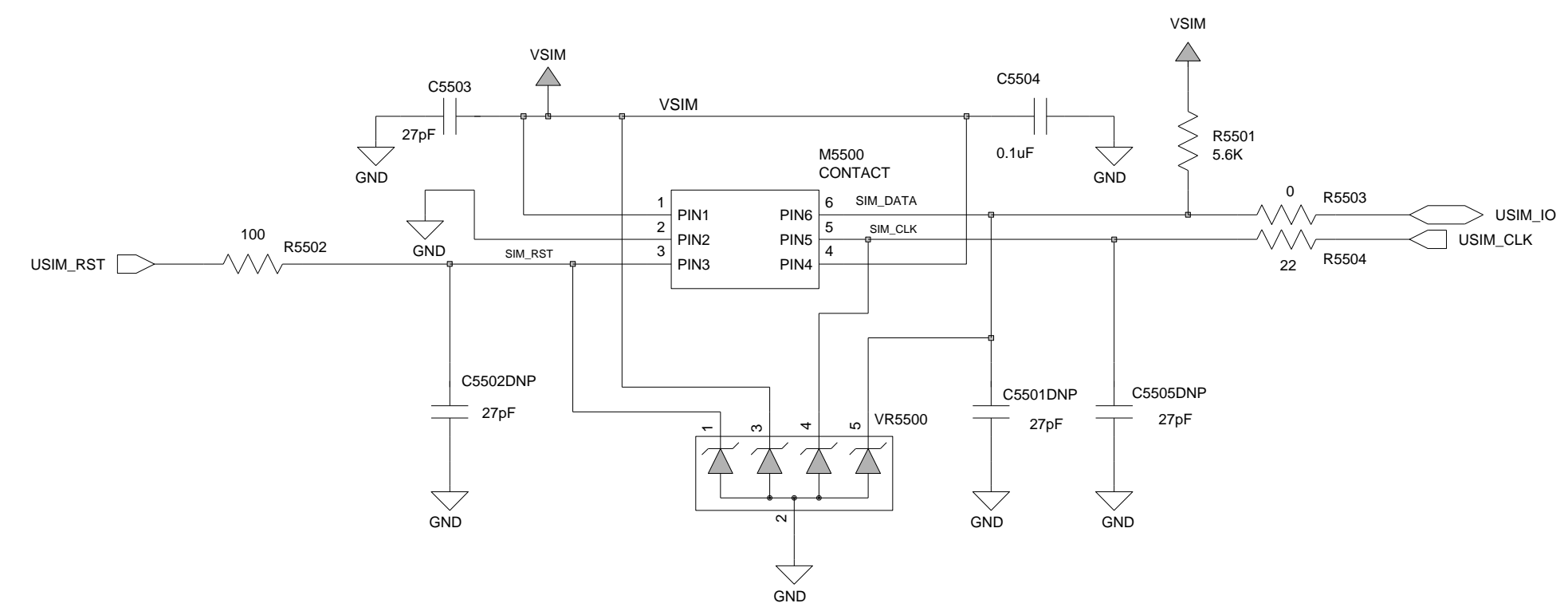




# EMU CONNECTOR

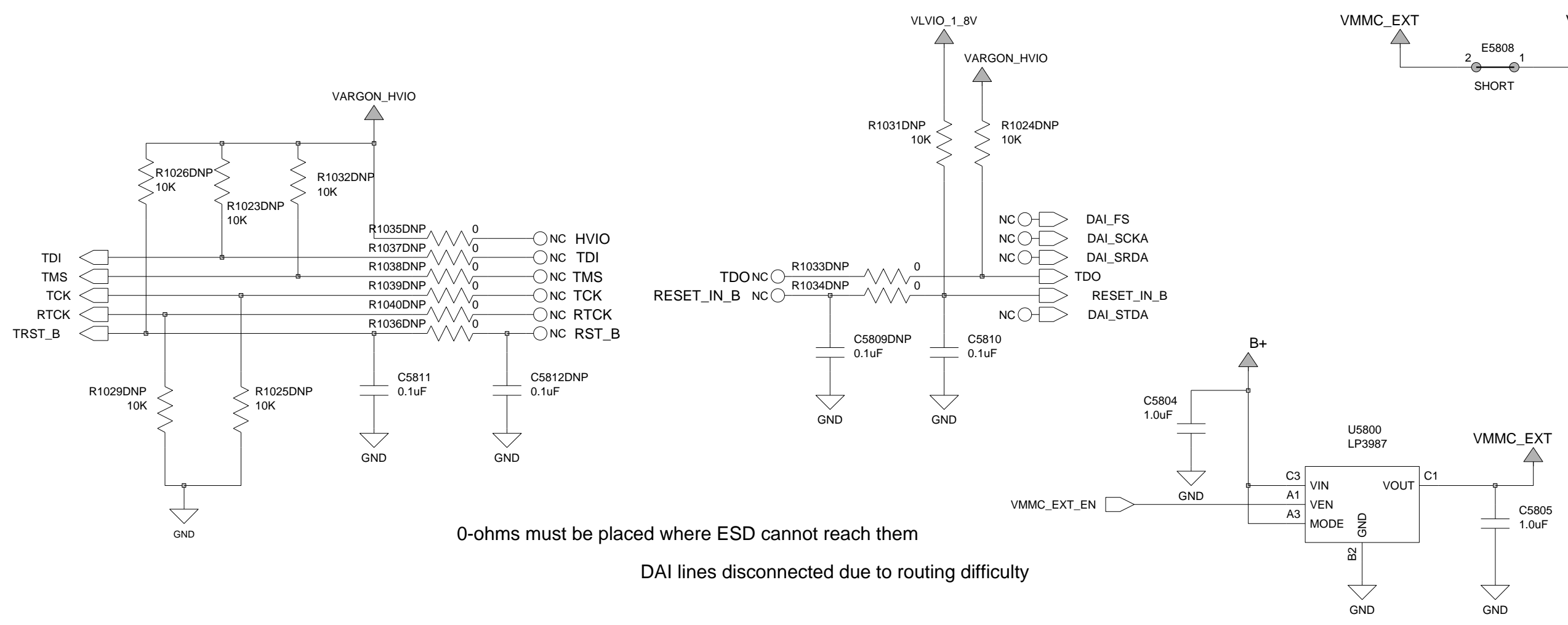


# USIM



# JTAG/DAI

12-pin JTAG connector



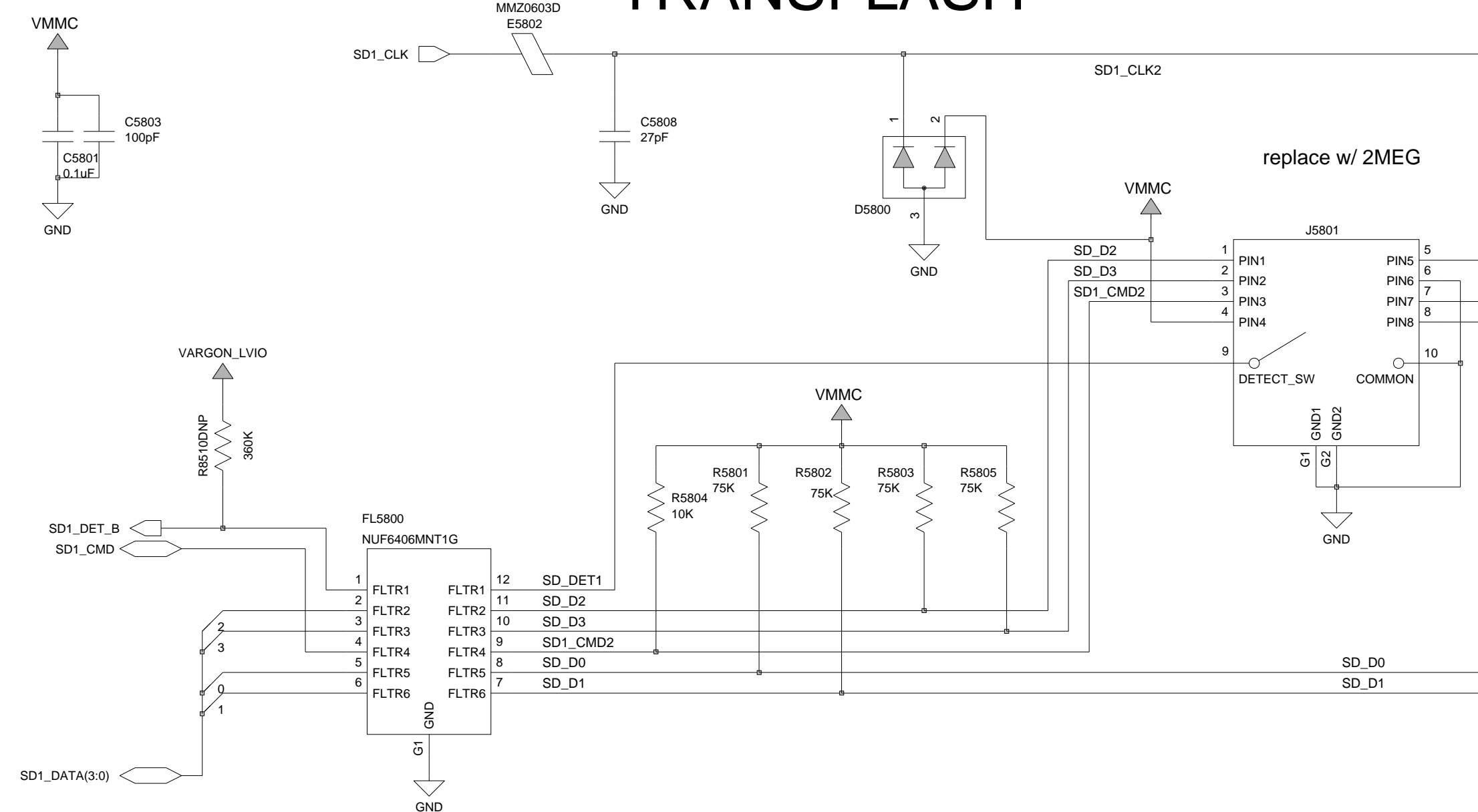
0-ohms must be placed where ESD cannot reach them

DAI lines disconnected due to routing difficulty

If JTAG is placed, place 0-ohms, pull-ups/downs. DNP C5810 and C5811

If JTAG is NOT placed, DNP 0-ohms, DNP pull-ups/downs, place C5809, C5810, C5811, C5812

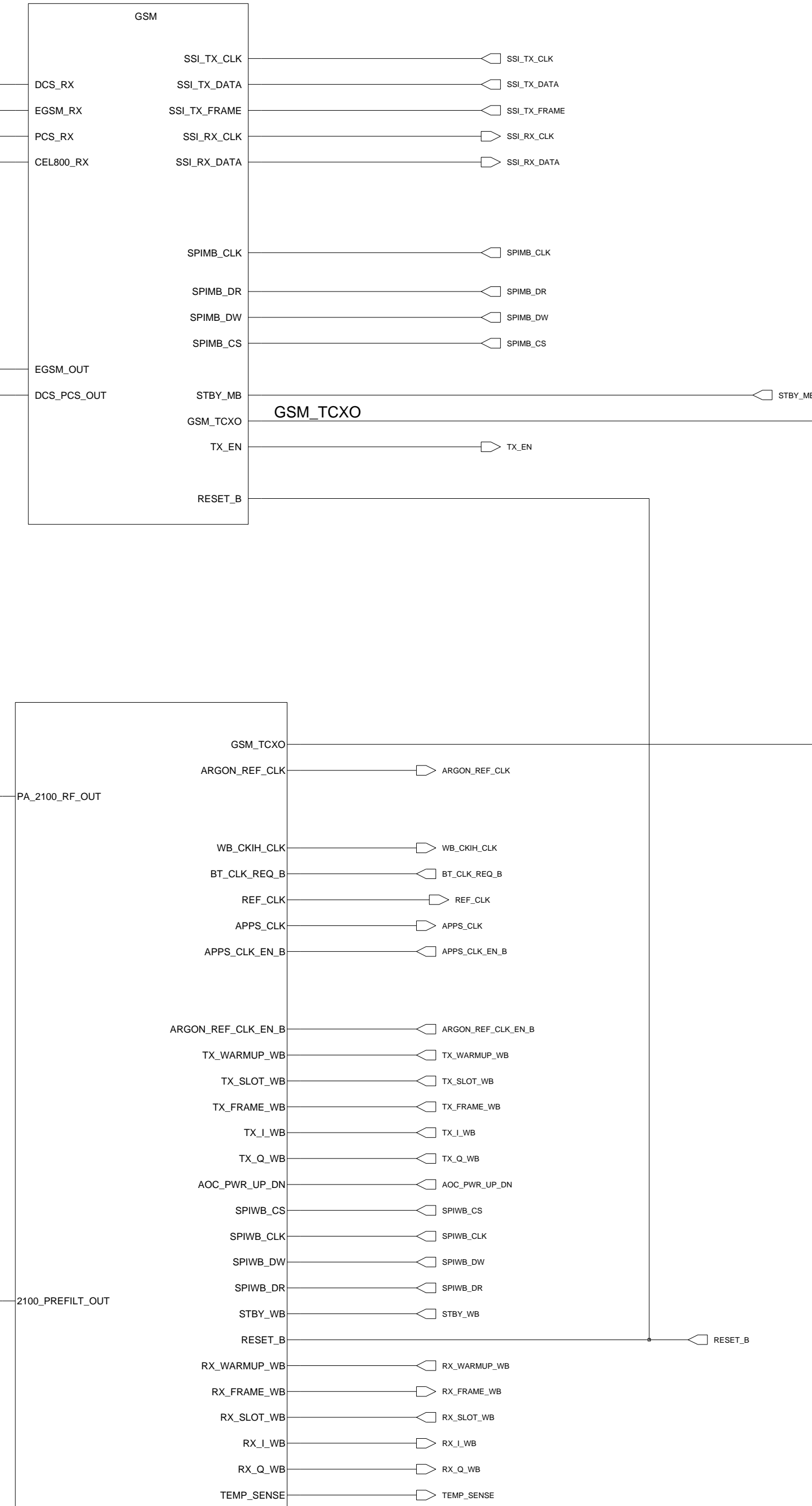
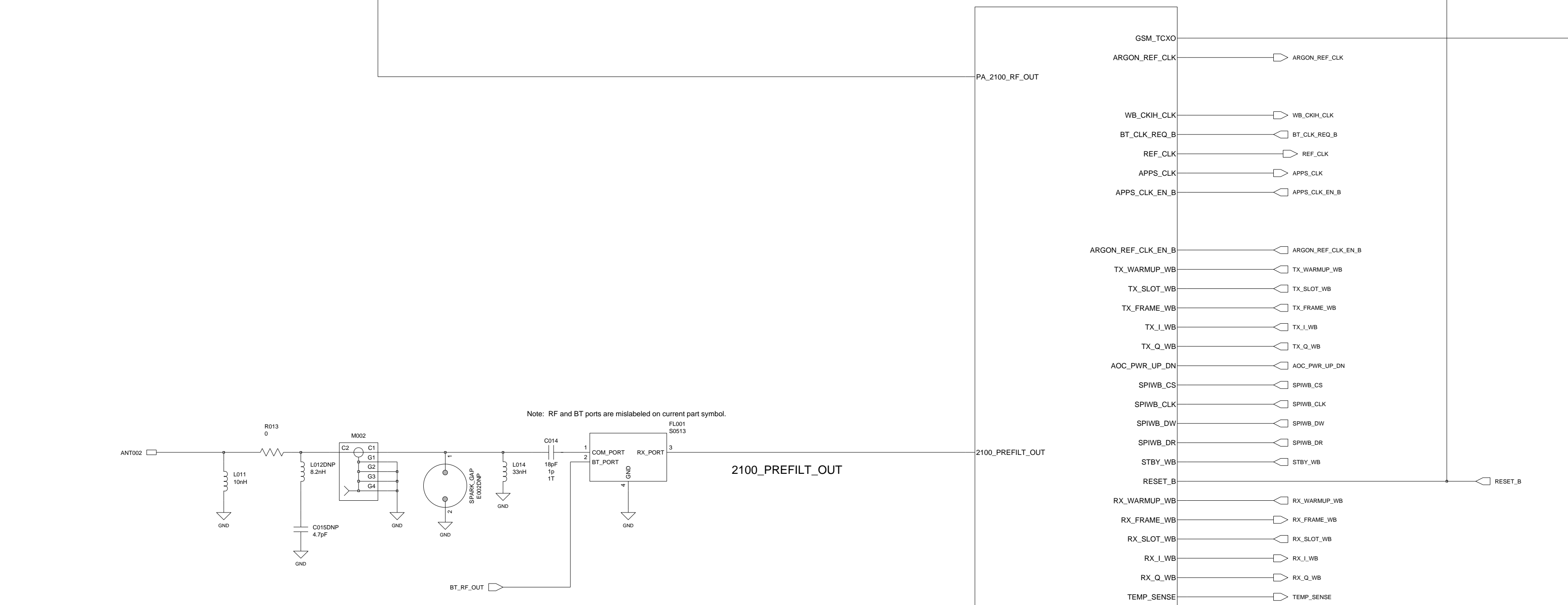
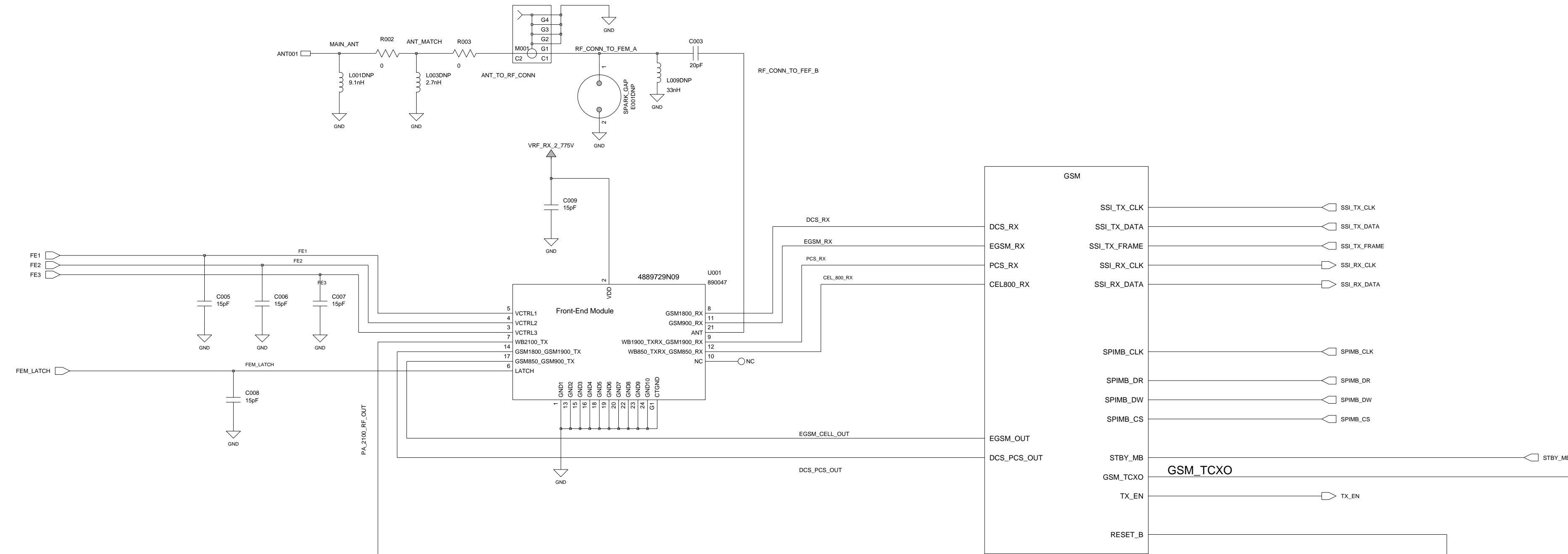
# TRANSFLASH



replace w/ 2MEG

Engineer:				
Drawn by:				
R&D CHK:	TITLE:	MISC CONNECTORS		Size:
DOC CTRL CHK:				
MFG CTRL CHK:				
QA CHK:	REV:	Drawing Number:	Page:	Of:
Changed by:	Date:			Time:





Engineer	COMPANY NAME		
Drawn by	Address City		
R&D CHK	TITLE	Size	
DOC CTRL CHK	RF_TOP	D	
MFG CTRL CHK	Emerald EMEA		
QA CHK	REV	Drawing Number	Sheet of

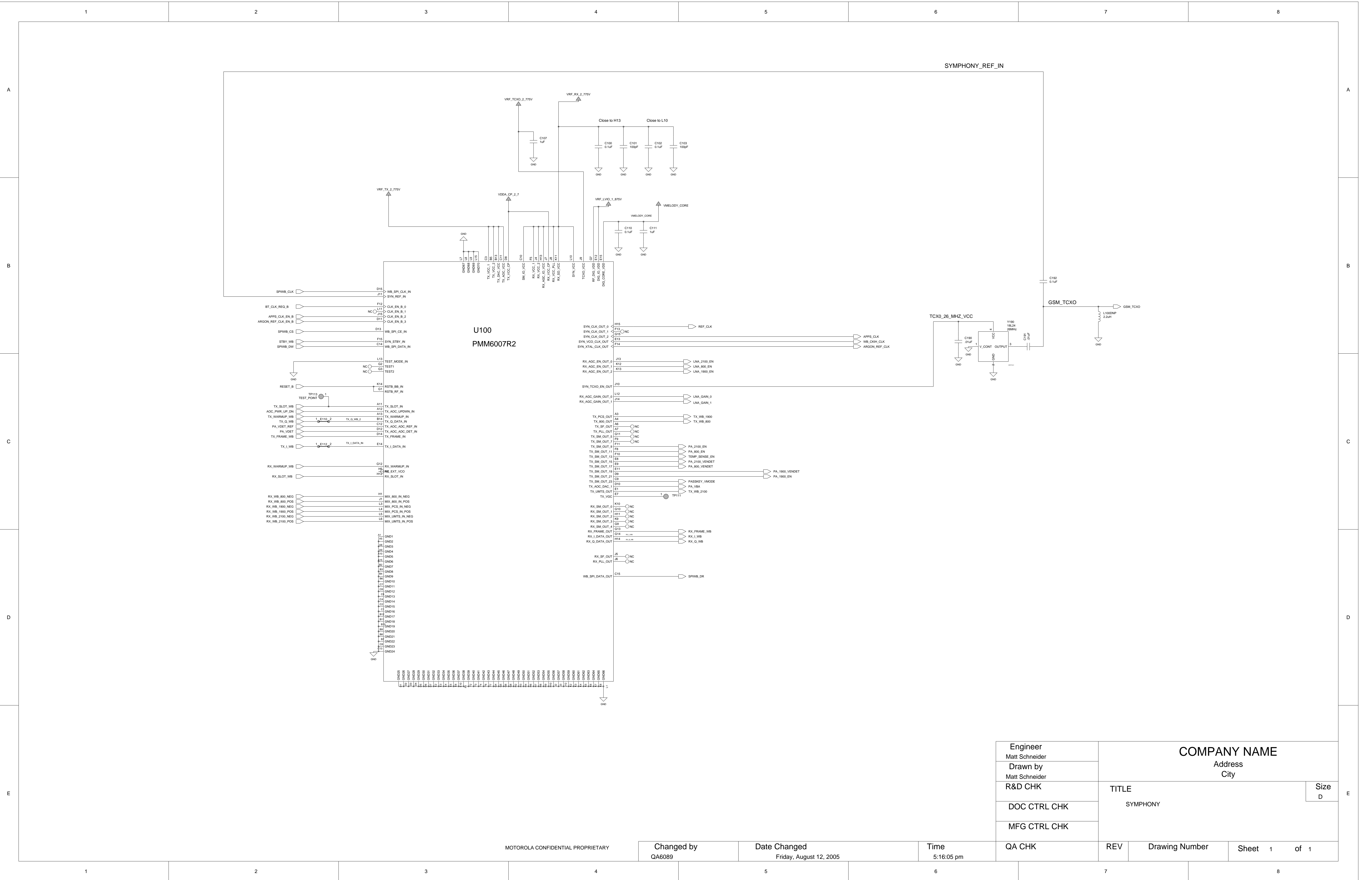
Changed by: cbh030  
Date Changed: Wednesday, April 14, 2004  
Time: 3:56:11 pm

1 2 3 4 5 6 7 8

1 2 3 4 5 6 7 8







U100  
PMM6007R2

SYMPHONY\_REF\_IN

Engineer Matt Schneider	COMPANY NAME Address City		
Drawn by Matt Schneider			
R&D CHK	TITLE SYMPHONY	Size D	
DOC CTRL CHK			
MFG CTRL CHK			
QA CHK	REV	Drawing Number	Sheet 1 of 1

MOTOROLA CONFIDENTIAL PROPRIETARY

Changed by  
QA6089

Date Changed  
Friday, August 12, 2005

Time  
5:16:05 pm