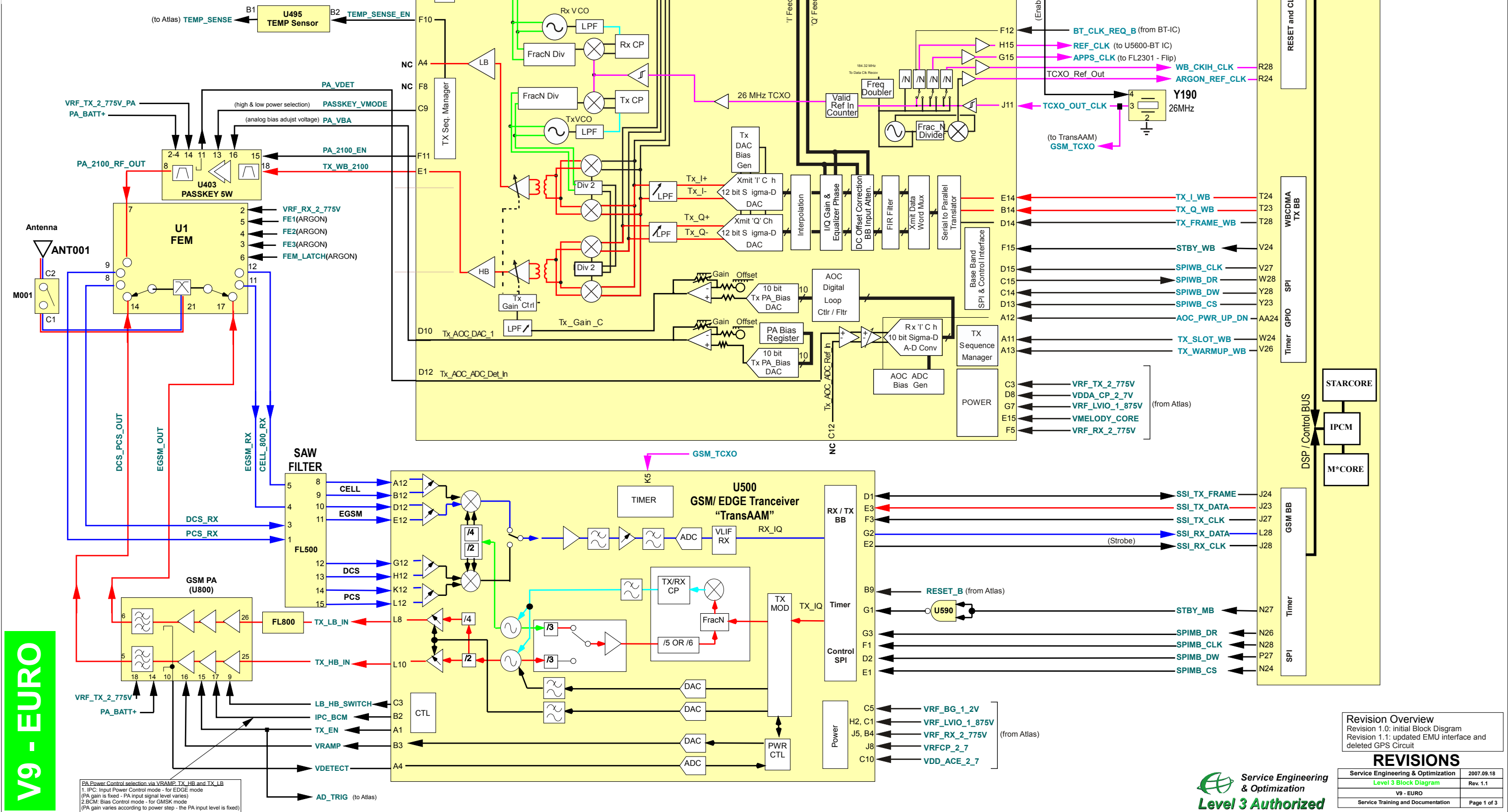


Band	GSM850	GSM900	DCS1800	PCS1900	WCDMA 2100
Tx Frequency	824MHz - 849MHz	880MHz - 915MHz	1710MHz - 1785MHz	1850MHz - 1910MHz	1922.4MHz - 1977.6MHz
Rx Frequency	869MHz - 894MHz	925MHz - 960MHz	1805MHz - 1880MHz	1930MHz - 1990MHz	2112.4MHz - 2167.6MHz



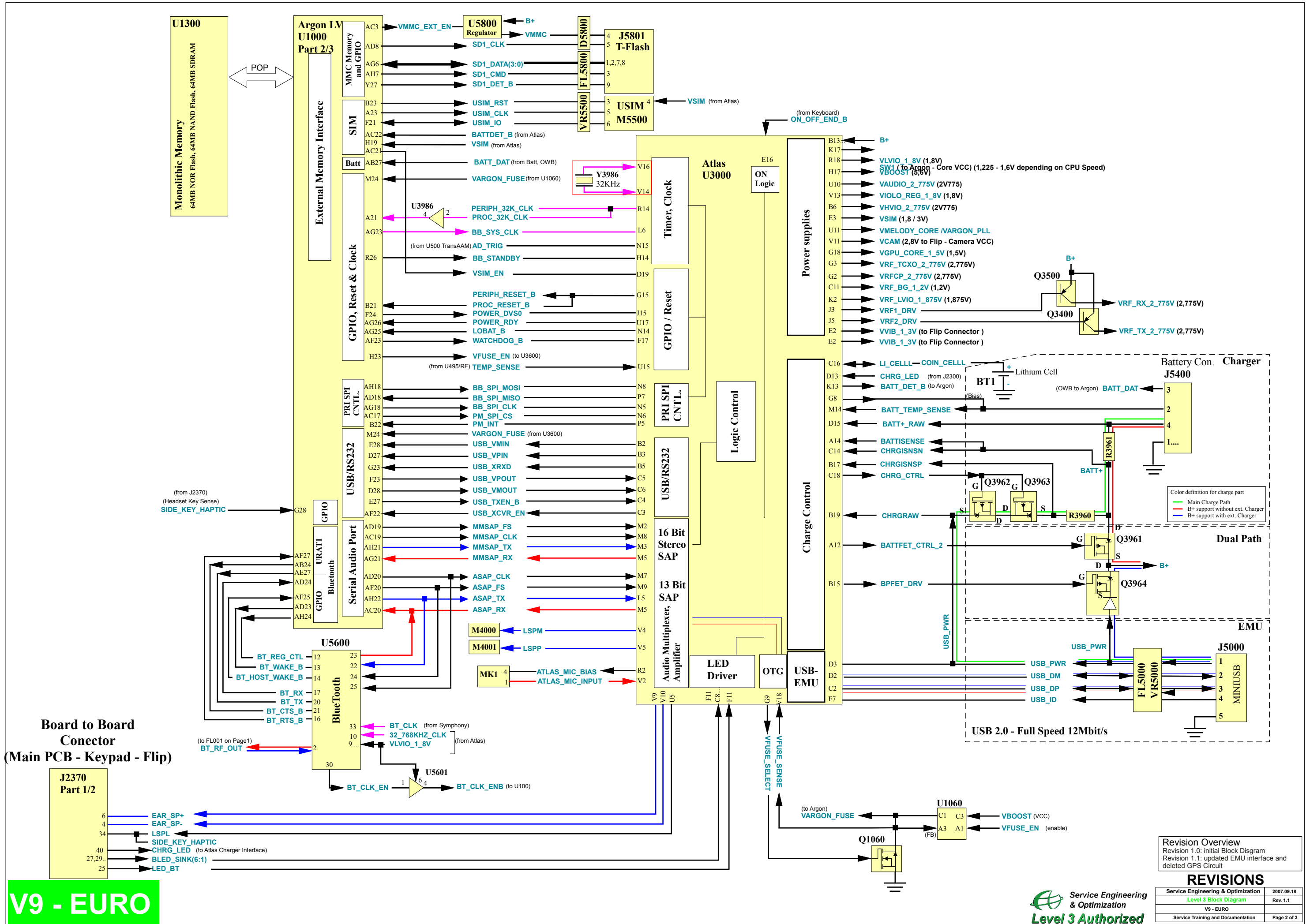
**V9 - EURO**

PA Power Control selection via VRAMP, TX\_HB and TX\_LB  
 1. IPC: Input Power Control mode - for EDGE mode  
 (PA gain is fixed - PA input signal level varies)  
 2. BCM: Bias Control mode - for GSM mode  
 (PA gain varies according to power step - the PA input level is fixed)

**Revision Overview**  
 Revision 1.0: Initial Block Diagram  
 Revision 1.1: updated EMU interface and deleted GPS circuit

REVISIONS	
Service Engineering & Optimization	2007.09.18
Level 3 Block Diagram	Rev. 1.1
V9 - EURO	
Service Training and Documentation	Page 1 of 3

**Service Engineering & Optimization**  
**Level 3 Authorized**



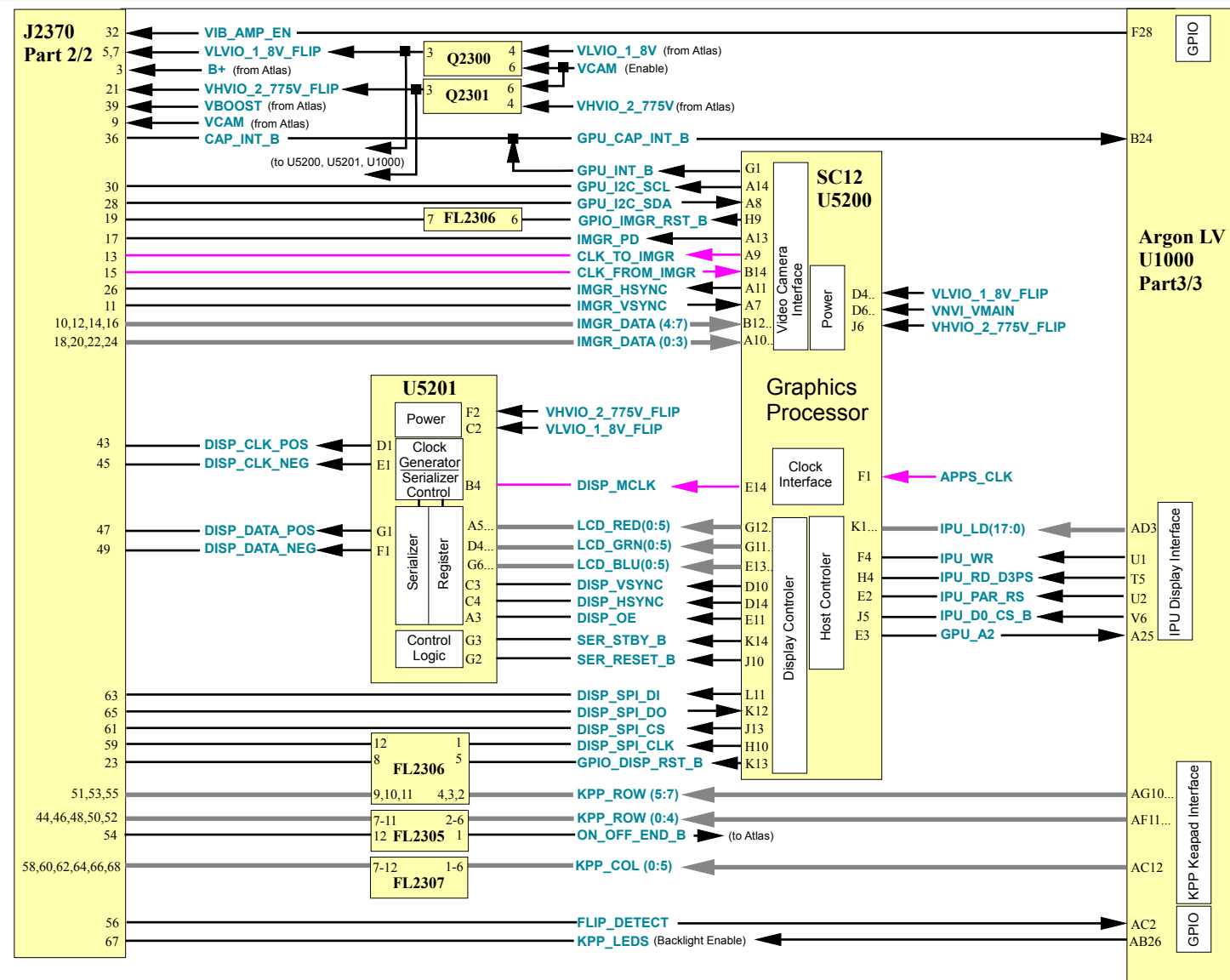
**V9 - EURO**

**Revision Overview**  
 Revision 1.0: initial Block Diagram  
 Revision 1.1: updated EMU interface and deleted GPS Circuit

**REVISIONS**

Service Engineering & Optimization	2007.09.18
Level 3 Block Diagram	Rev. 1.1
V9 - EURO	
Service Training and Documentation	Page 2 of 3

Service Engineering & Optimization  
**Level 3 Authorized**



**REVISIONS**

Revision	Description	Date
1.0	initial Block Diagram	2007.09.18
1.1	updated EMU interface and deleted GPS Circuit	Rev. 1.1
V9 - Euro	Service Training and Documentation	Page 3 of 3