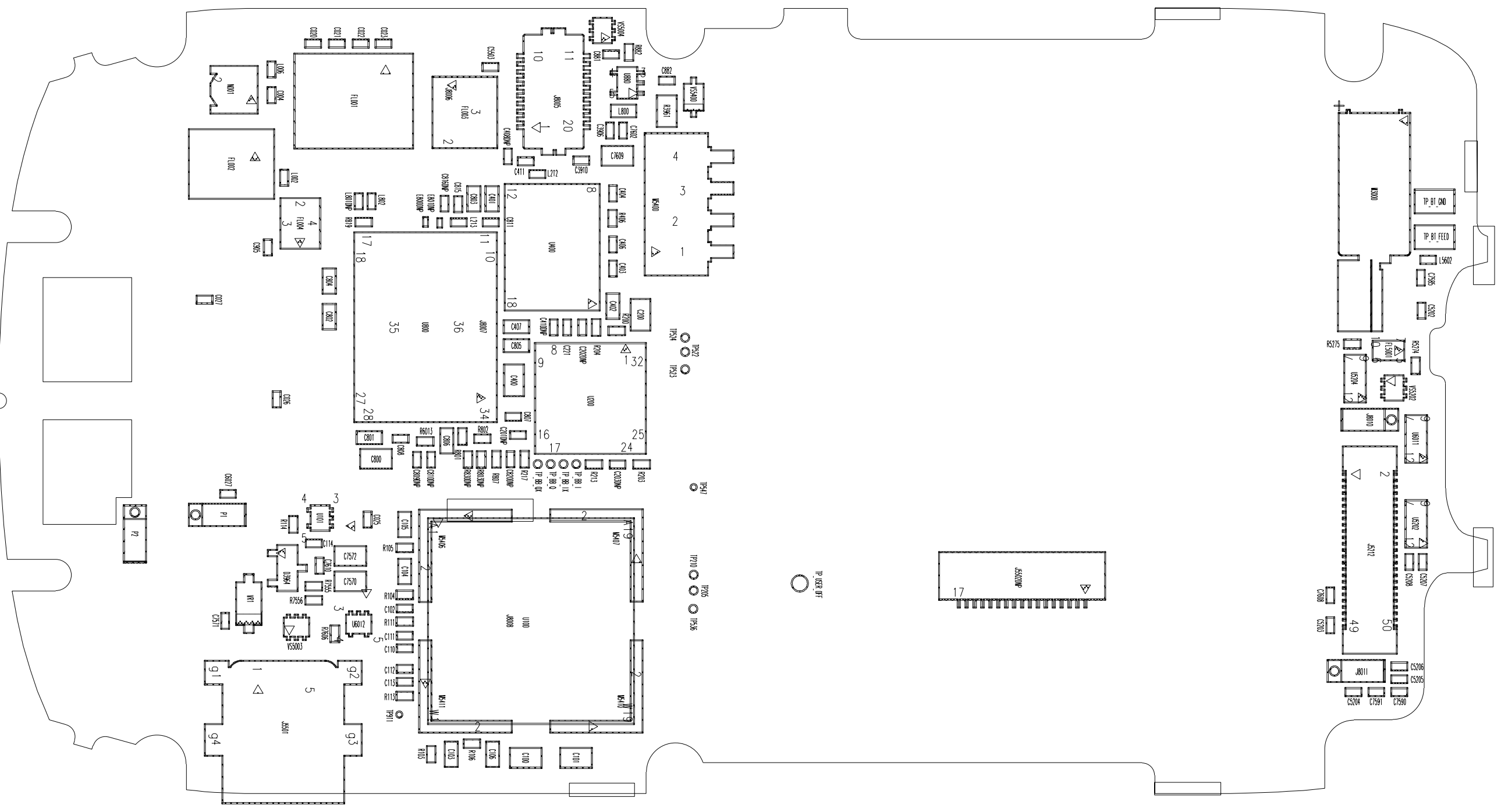
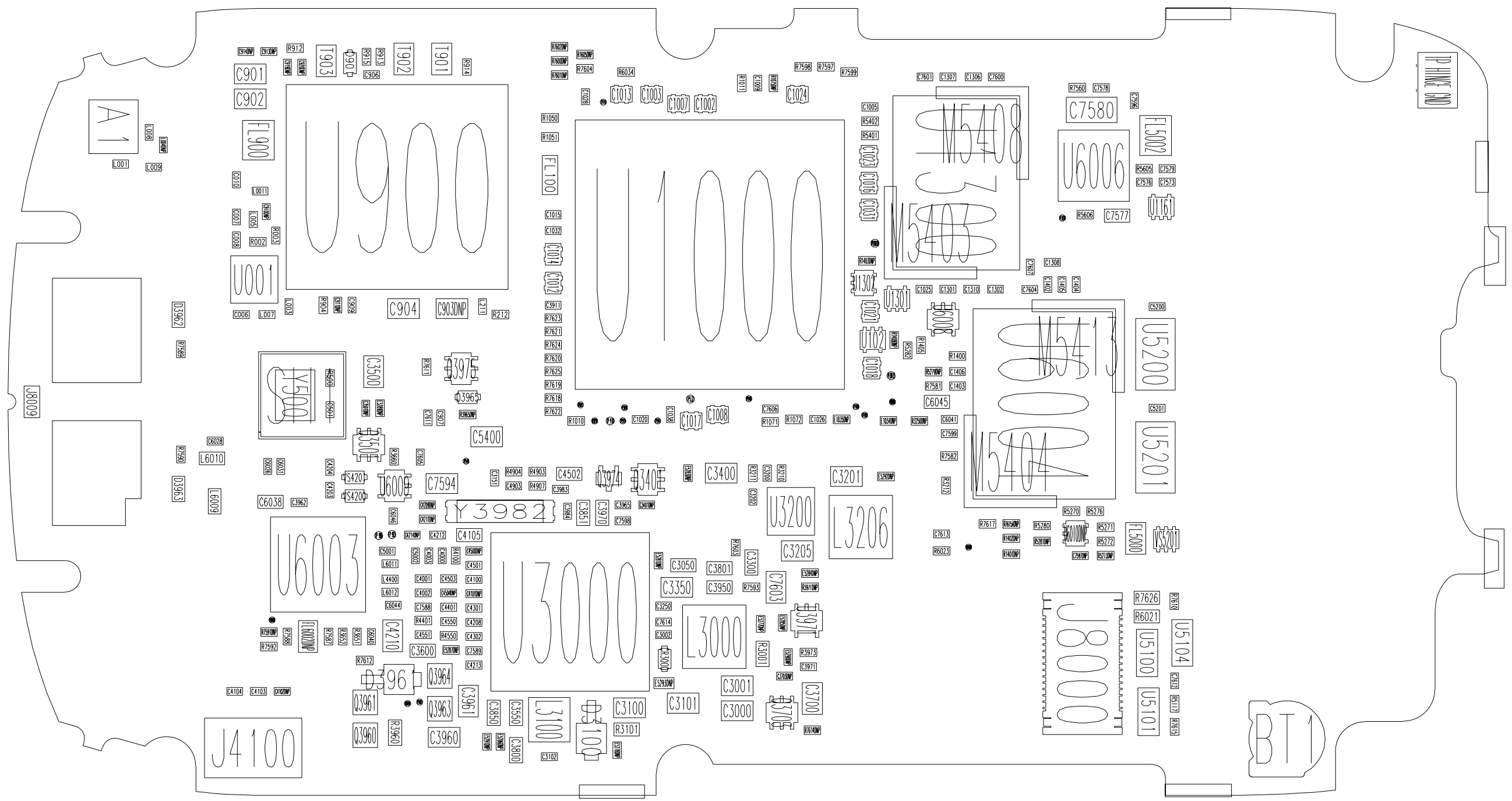


PT 3901MA36





A 1

T901  
T902  
T903  
C901  
C902  
L900  
U001  
C904  
C9030NP

U500

U6003

J4100

C101  
C1003  
C1007  
C1002  
C1024  
R1050  
R1051  
FL100  
R1019  
R1032  
R1014  
R1017  
R1018  
R1019  
R1020  
R1021  
R1022  
R1023  
R1024  
R1025  
R1026  
R1027  
R1028

U3000

L3000

M5408  
M5403

U6006

M5411  
M5404

J8000

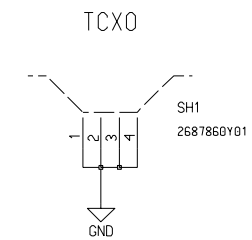
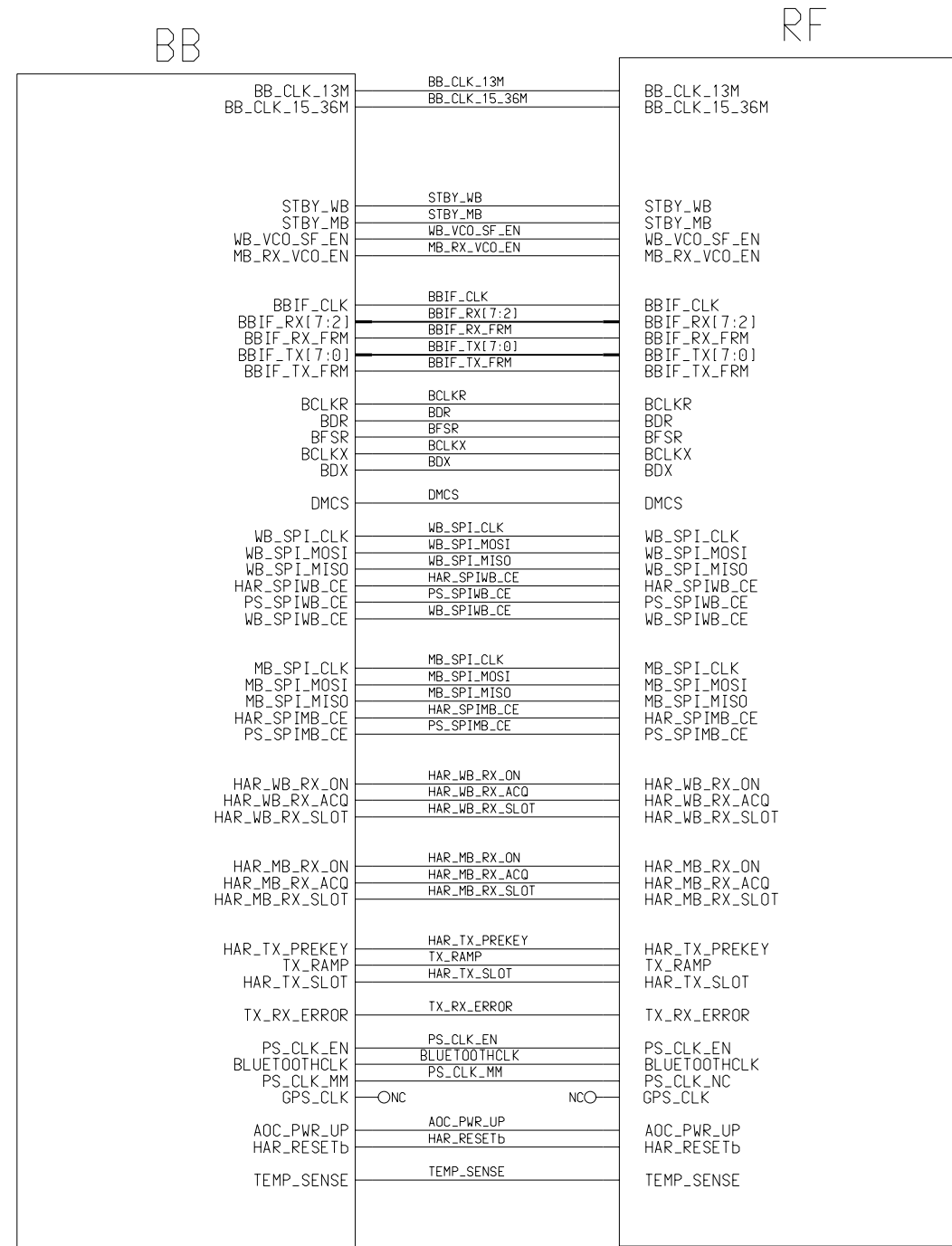
BT1

PARKING

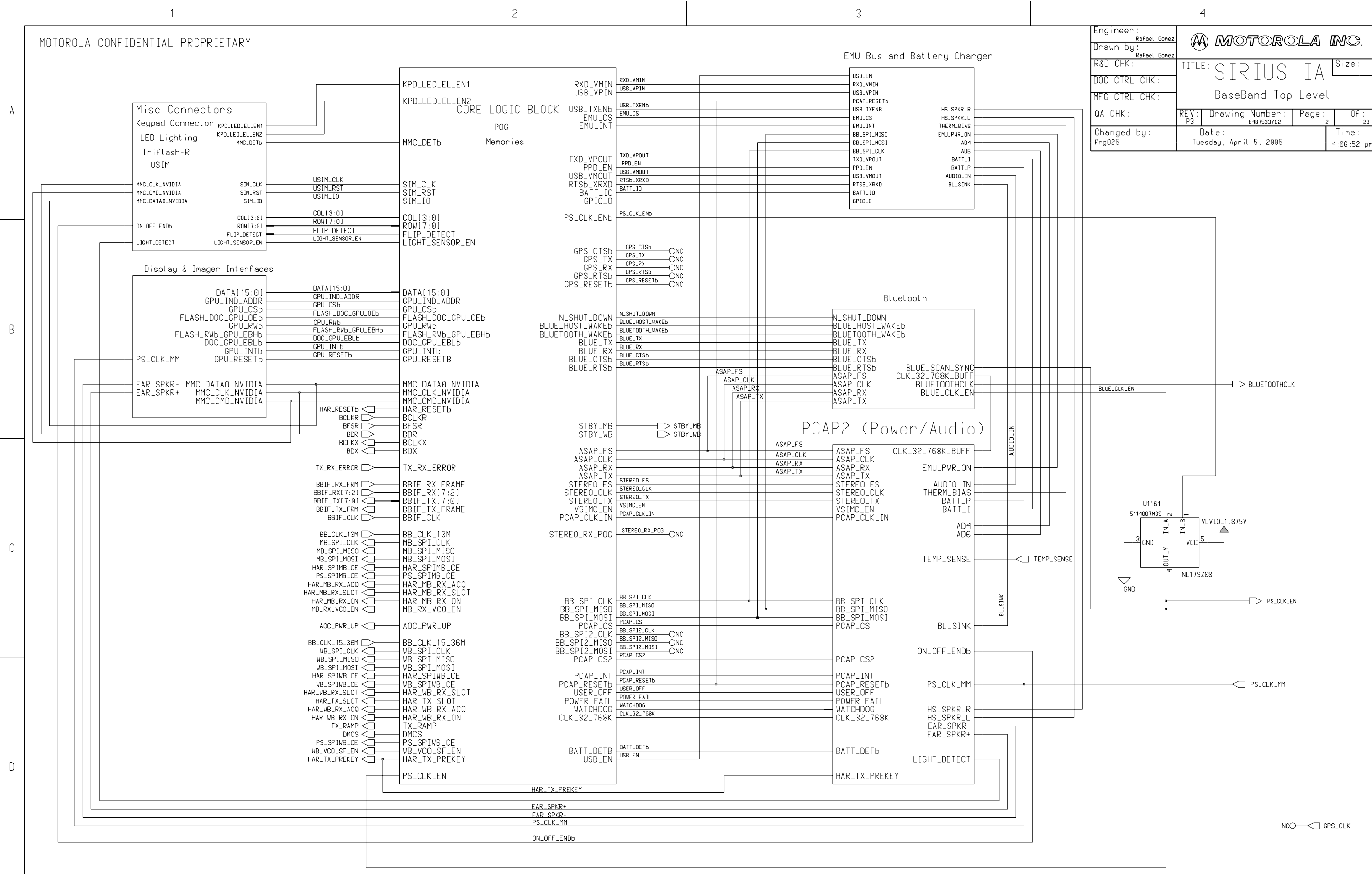


MOTOROLA CONFIDENTIAL PROPRIETARY

Engineer:	MOTOROLA INC.		
Drawn by:			
R&D CHK:	TITLE: SIRIUS IA	Size:	
DOC CTRL CHK:	Top Level		
MFG CTRL CHK:			
QA CHK:	REV: P3	Drawing Number:	Page: 1 Of: 23
Changed by: Frg025	Date: Wednesday, March 30, 2005	Time: 6:16:00 pm	

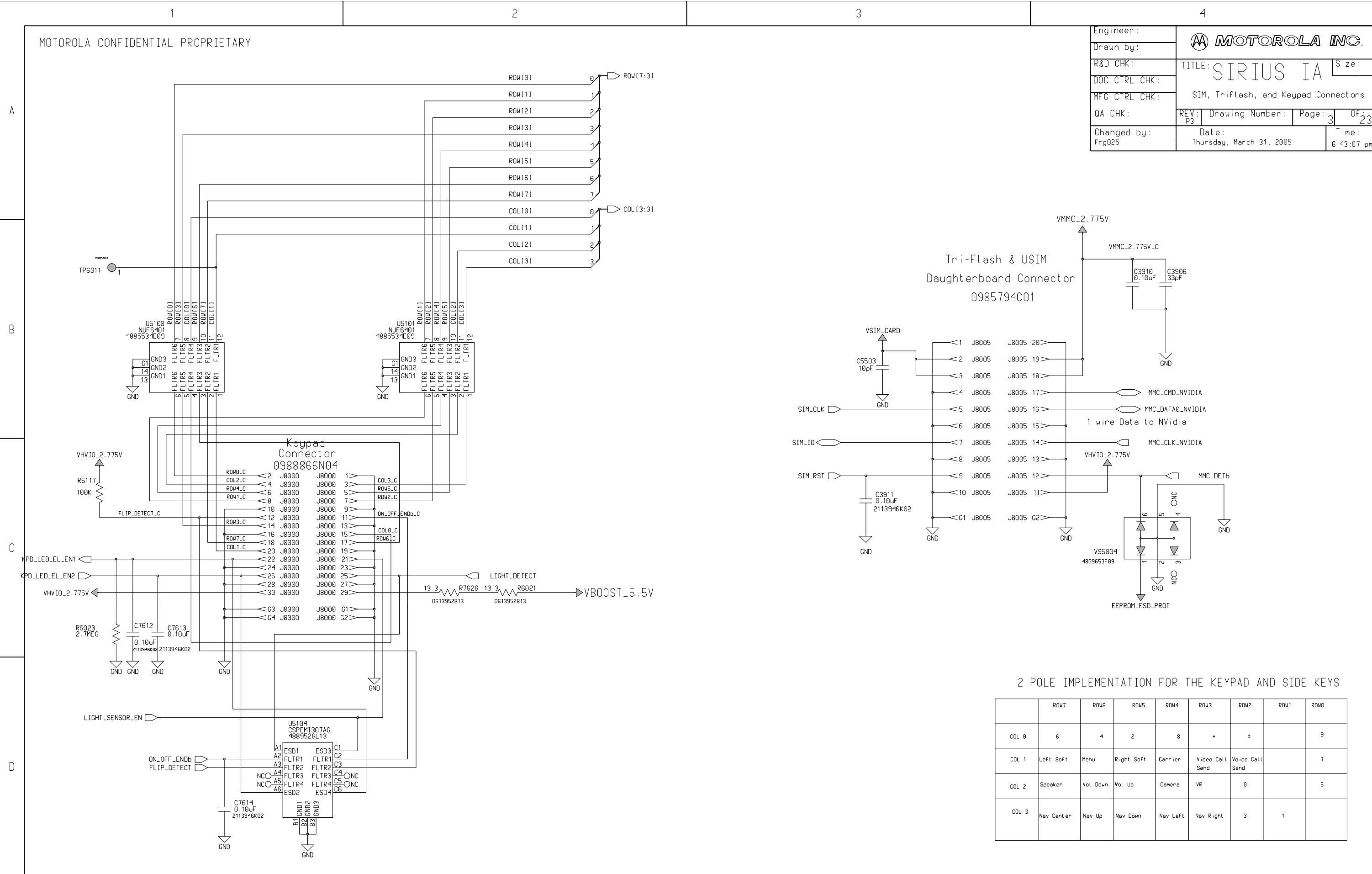


Engineer:	Refael Gomez		
Drawn by:	Refael Gomez		
R&D CHK:	TITLE: SIRIUS IA		Size:
DOC CTRL CHK:			
MFG CTRL CHK:	BaseBand Top Level		
QA CHK:	REV: P3	Drawing Number: 8487533Y02	Page: 2 OF 23
Changed by: Frg025	Date: Tuesday, April 5, 2005	Time: 4:06:52 pm	



NC - GPS\_CLK

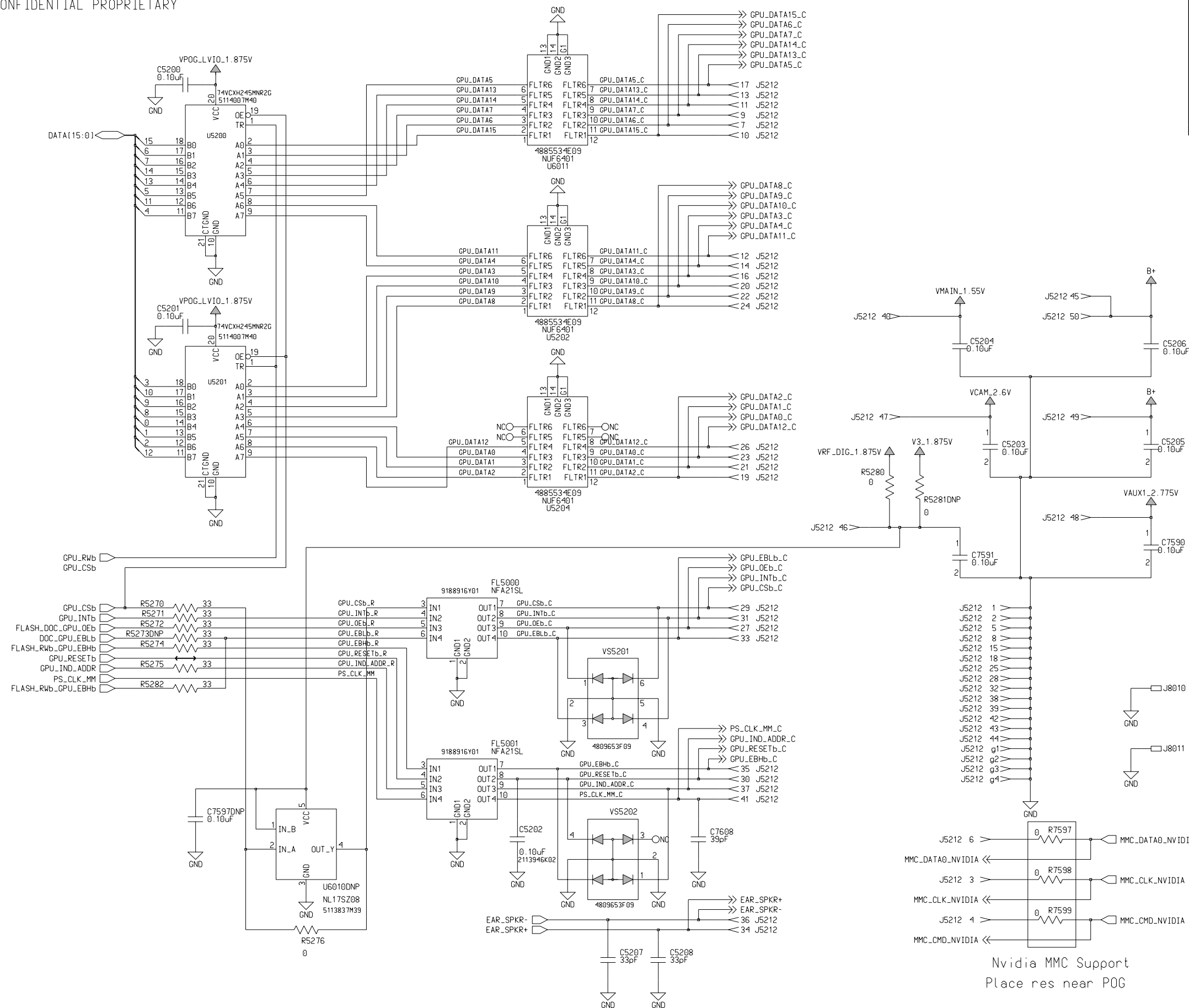




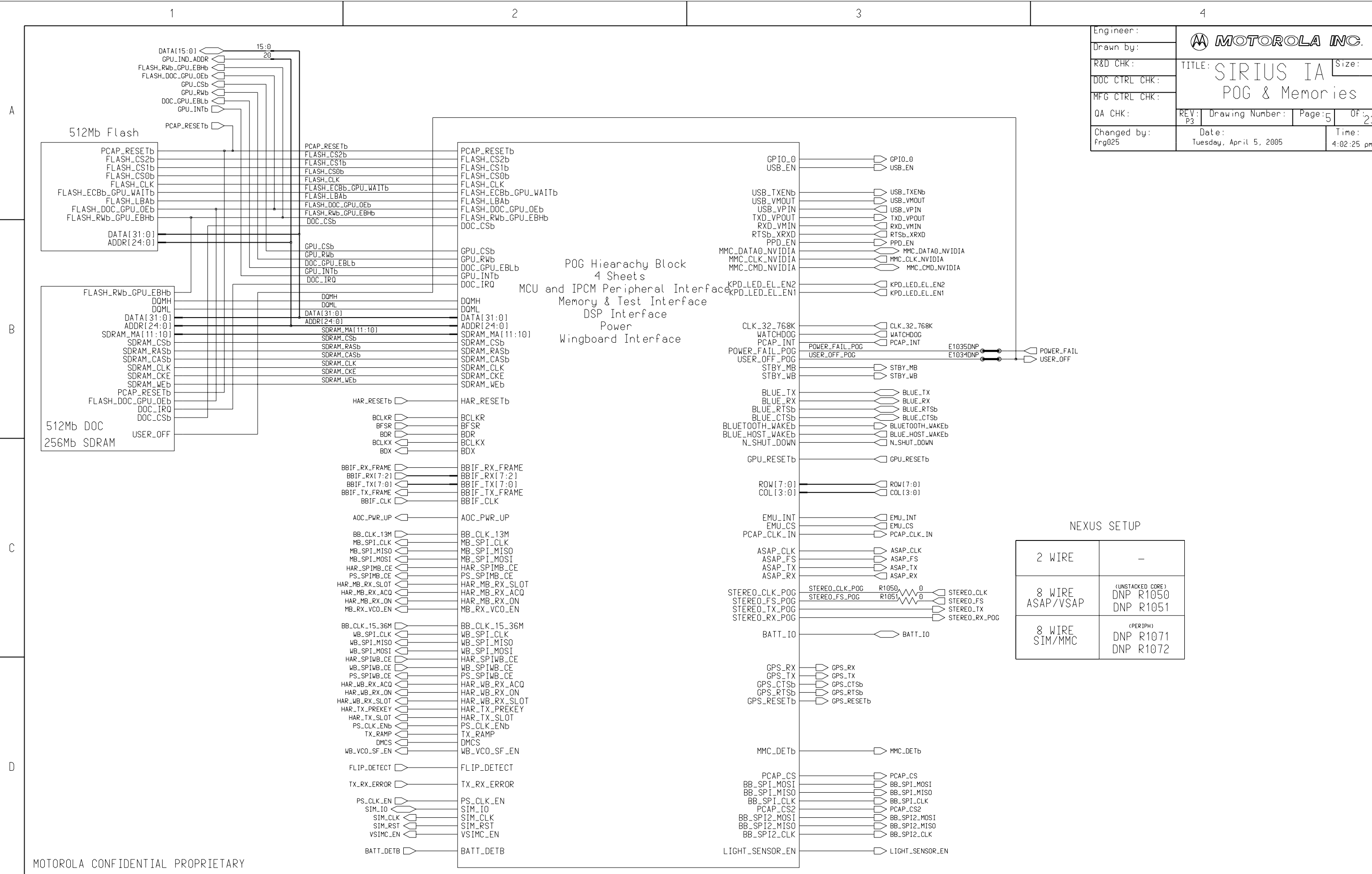
2 POLE IMPLEMENTATION FOR THE KEYPAD AND SIDE KEYS

	ROW7	ROW6	ROW5	ROW4	ROW3	ROW2	ROW1	ROW0
COL 0	6	4	2	8	.	#		9
COL 1	Left Soft	Menu	Right Soft	Carrier	Video Call Send	Voice Call Send		7
COL 2	Speaker	Vol Down	Vol Up	Camera	VR	0		5
COL 3	Nav Center	Nav Up	Nav Down	Nav Left	Nav Right	3	1	

Engineer:	MOTOROLA INC.		
Drawn by:			
R&D CHK:	TITLE: SIRIUS IA	Size:	
DOC CTRL CHK:	GPU & Flip Connector		
MFG CTRL CHK:	REV: P3	Drawing Number:	Page: 4 OF 23
QA CHK:	Date: Thursday, April 7, 2005	Time:	4:47:34 pm
Changed by: frg025			



Nvidia MMC Support  
Place res near POG

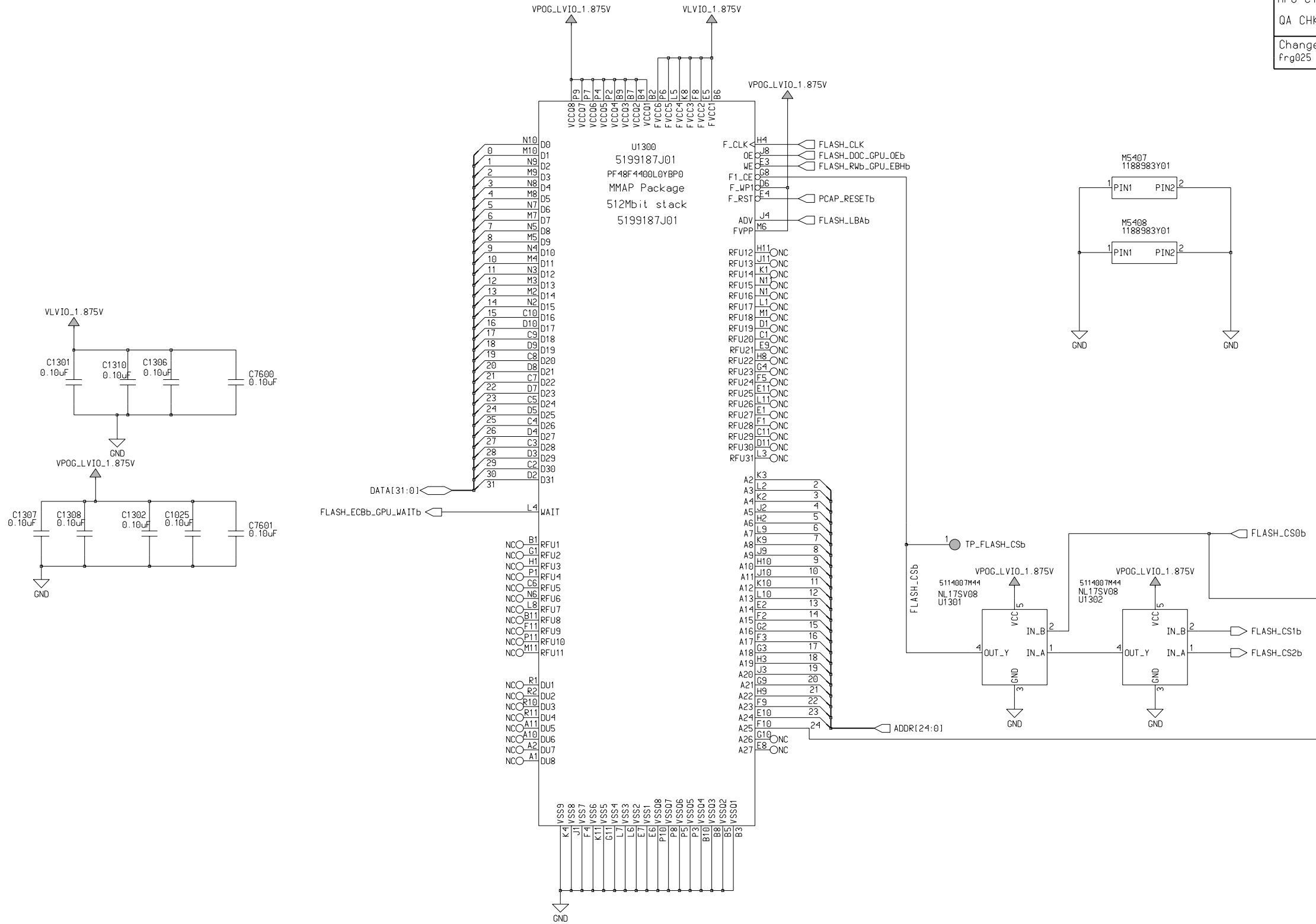


NEXUS SETUP

2 WIRE	-
8 WIRE ASAP/VSAP	(UNSTACKED CORE) DNP R1050 DNP R1051
8 WIRE SIM/MMC	(PERIPH) DNP R1071 DNP R1072

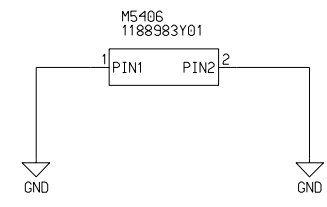
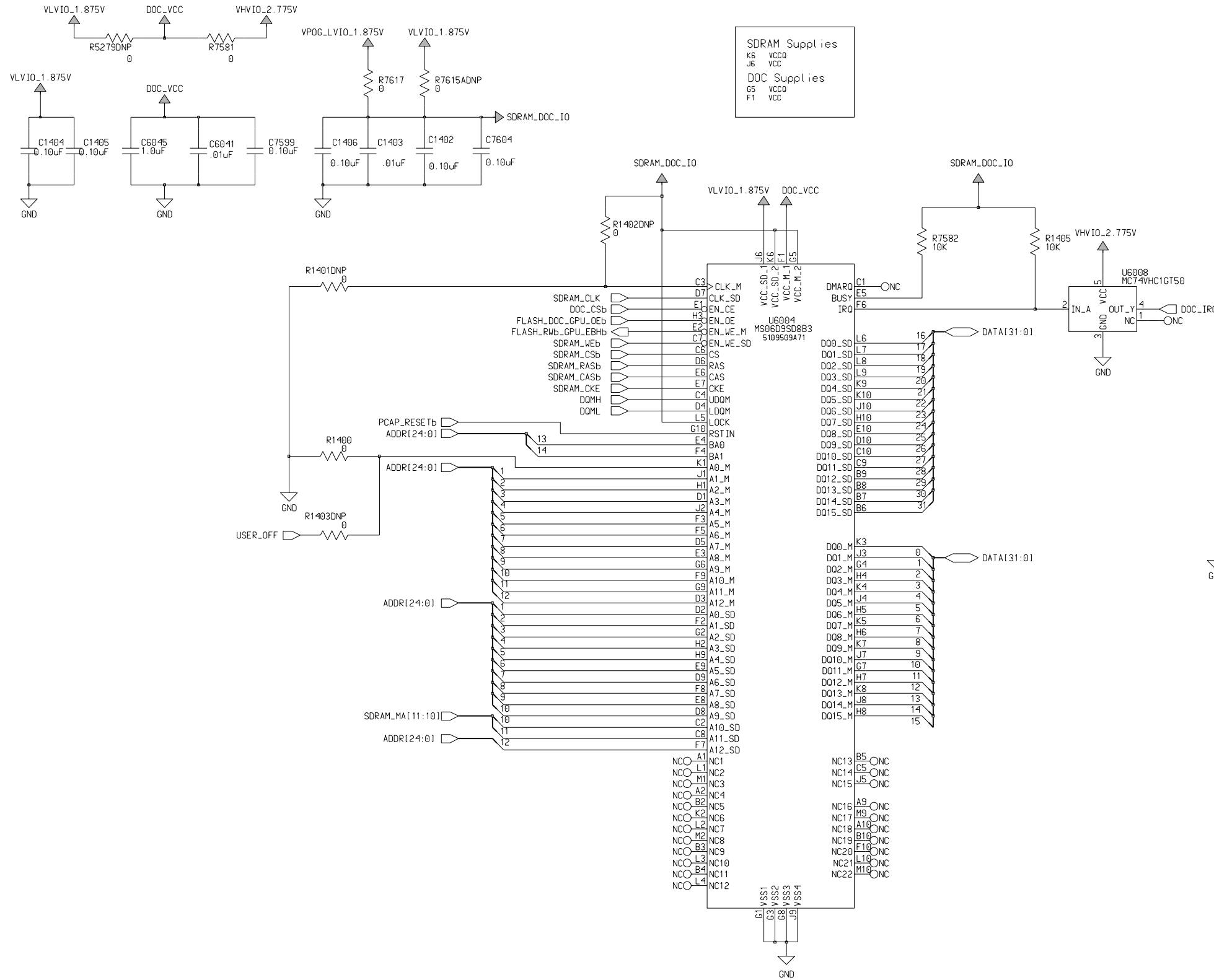
MOTOROLA CONFIDENTIAL PROPRIETARY

Engineer:	MOTOROLA INC.		
Drawn by:			
R&D CHK:	TITLE: SIRIUS IA	Size:	
DOC CTRL CHK:	Flash Memory		
MFG CTRL CHK:	REV: P3	Drawing Number:	Page: 6 Of: 23
QA CHK:	Date: Tuesday, March 29, 2005	Time:	6:52:37 pm
Changed by: Frg025			

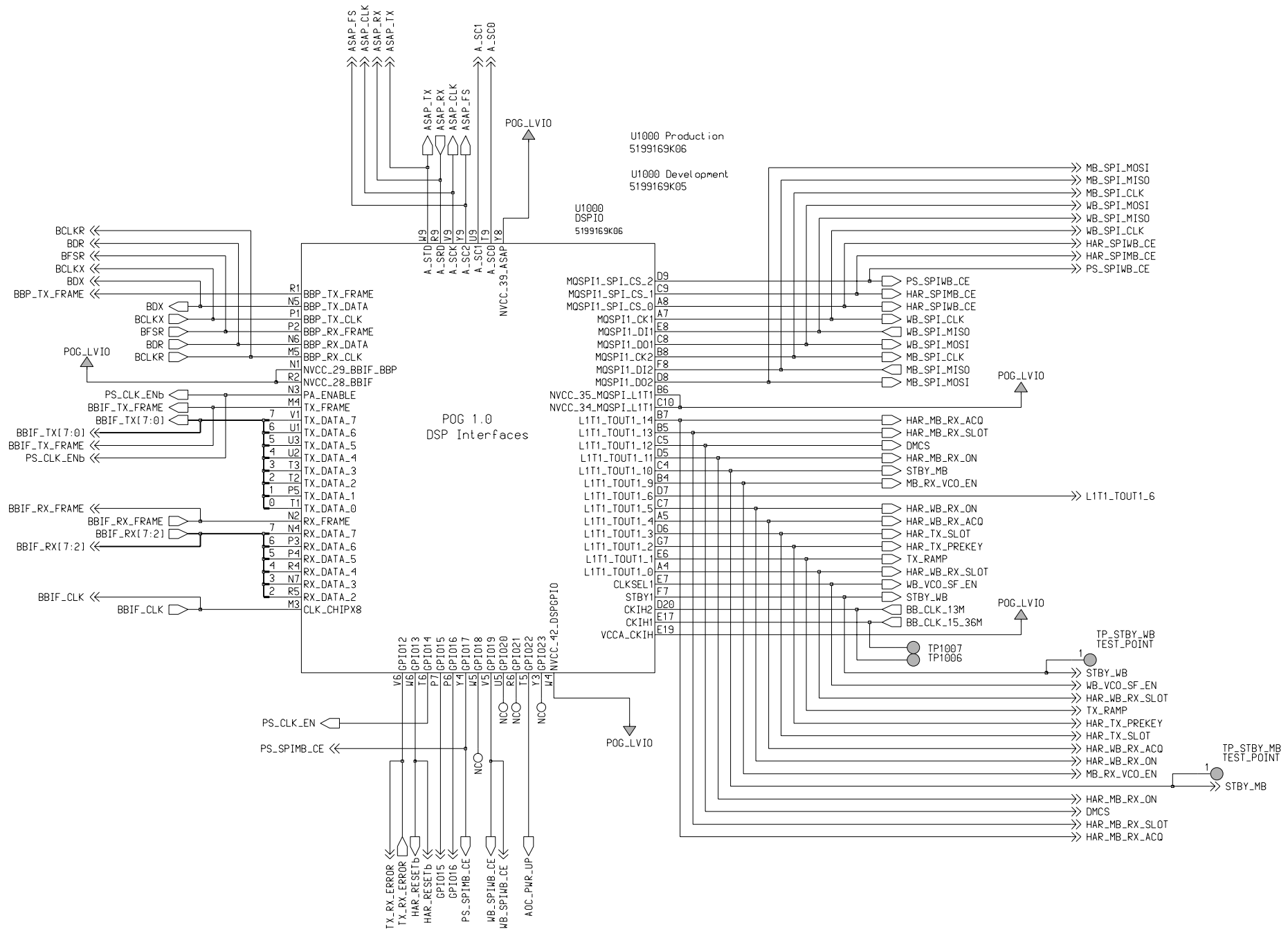


MOTOROLA CONFIDENTIAL PROPRIETARY

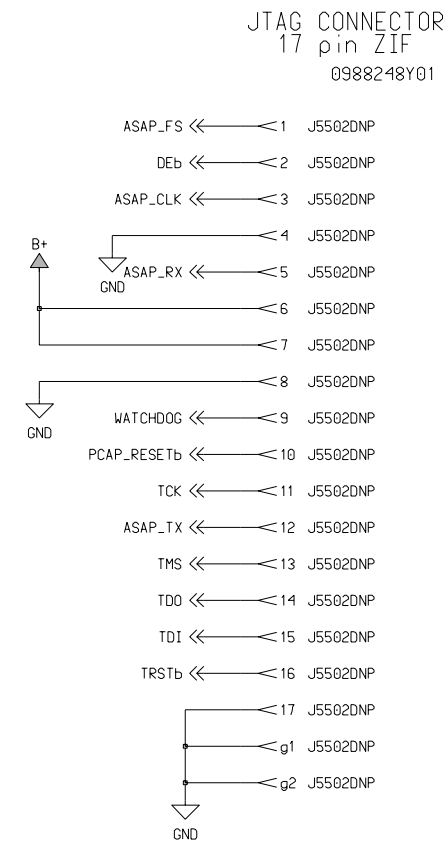
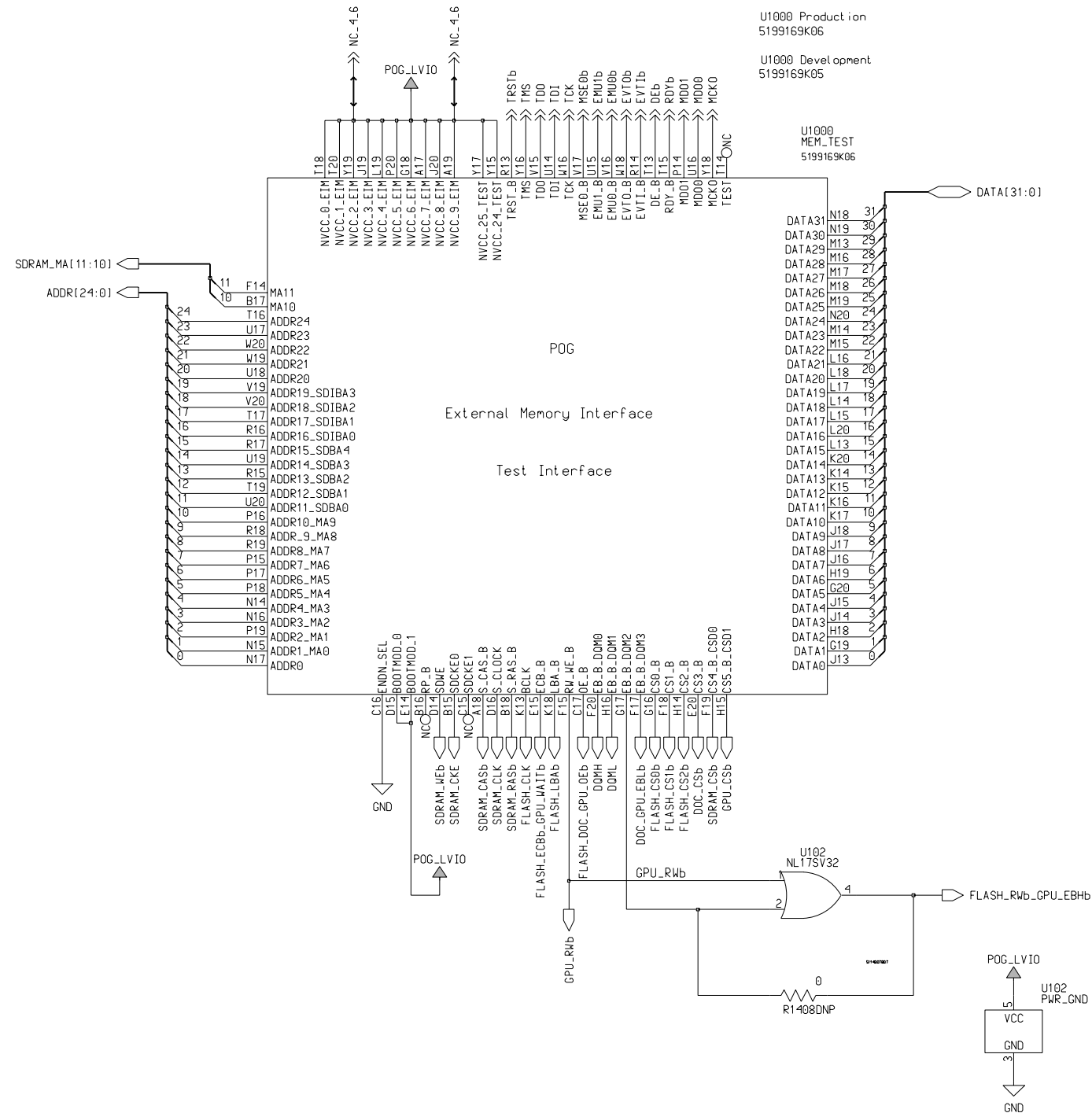
Engineer:	MOTOROLA INC.		
Drawn by:			
R&D CHK:	TITLE: SIRIUS IA	Size:	
DOC CTRL CHK:	SDRAM & DOC		
MFG CTRL CHK:			
QA CHK:	REV: P3	Drawing Number:	Page: 7 Of: 23
Changed by: Frg025	Date: Wednesday, March 30, 2005	Time: 6:04:52 pm	



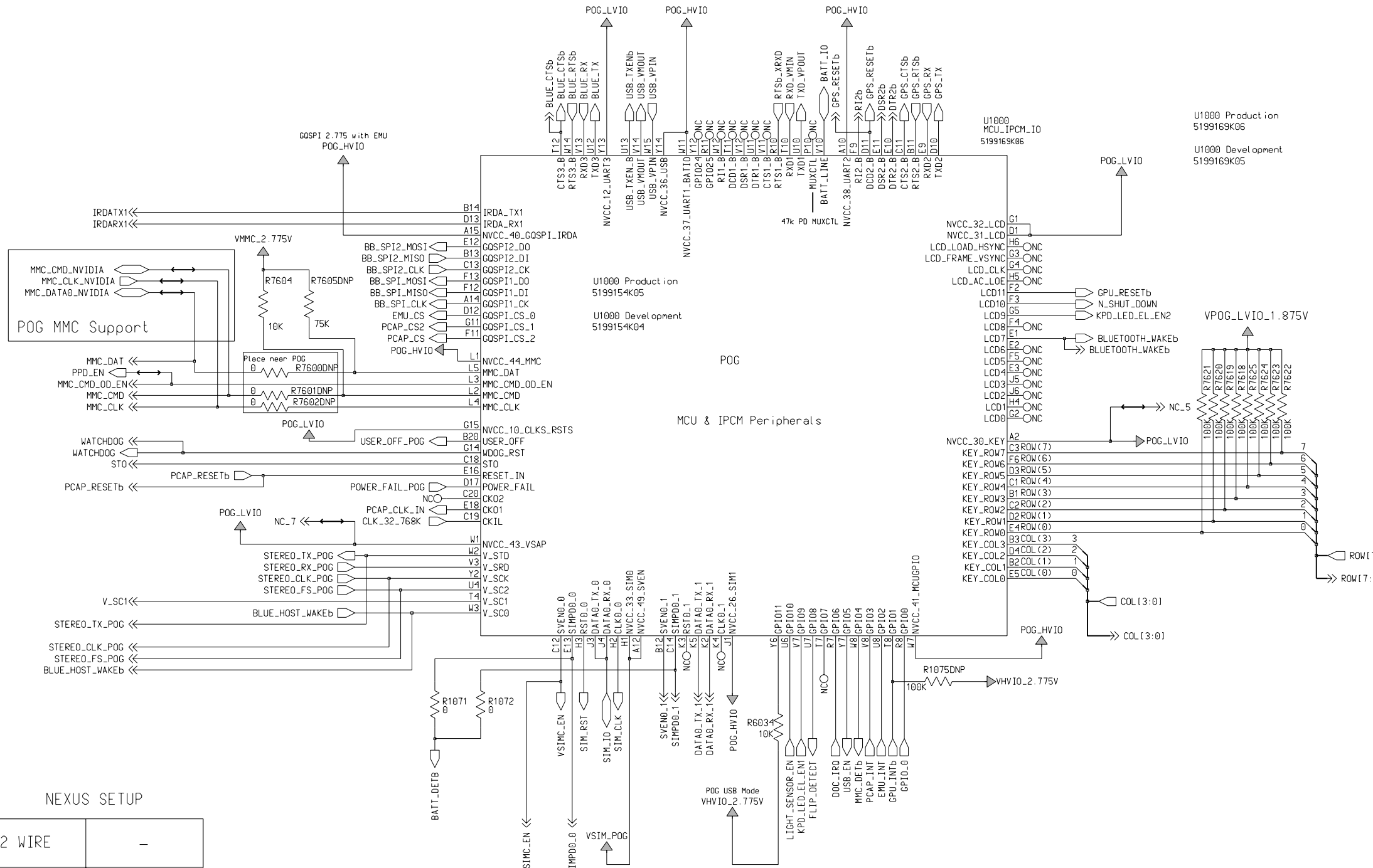
Engineer:	MOTOROLA INC.		
Drawn by:			
R&D CHK:	TITLE: SIRIUS IA	Size:	
DOC CTRL CHK:	POG DSP Interface		
MFG CTRL CHK:	REV: P3	Drawing Number:	Page: 8 Of: 23
QA CHK:	Date: Monday, February 28, 2005	Time:	3:55:21 pm
Changed by: e11248			



Engineer:	MOTOROLA INC.		
Drawn by:			
R&D CHK:	TITLE: SIRIUS IA	Size:	
DOC CTRL CHK:	POG Memory & Test Interface		
MFG CTRL CHK:	REV: P3	Drawing Number:	Page: 9 Of: 23
QA CHK:	Date: Tuesday, April 5, 2005	Time:	3:54:41 pm
Changed by: Frg025			



Engineer:	MOTOROLA INC.		
Drawn by:			
R&D CHK:	TITLE: SIRIUS IA	Size:	
DOC CTRL CHK:	POG Peripheral Int		
MFG CTRL CHK:	REV: P3	Drawing Number:	Page 10 Of 23
QA CHK:	Date: Tuesday, April 5, 2005	Time: 3:56:41 pm	
Changed by: Frg025			



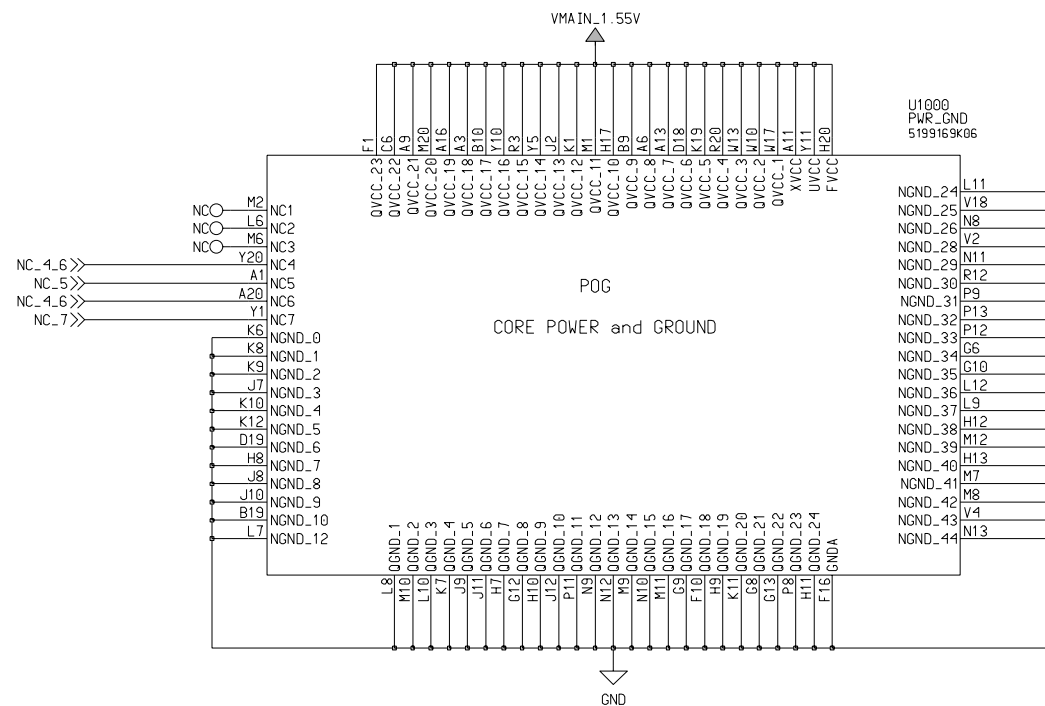
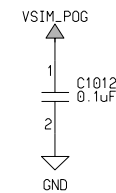
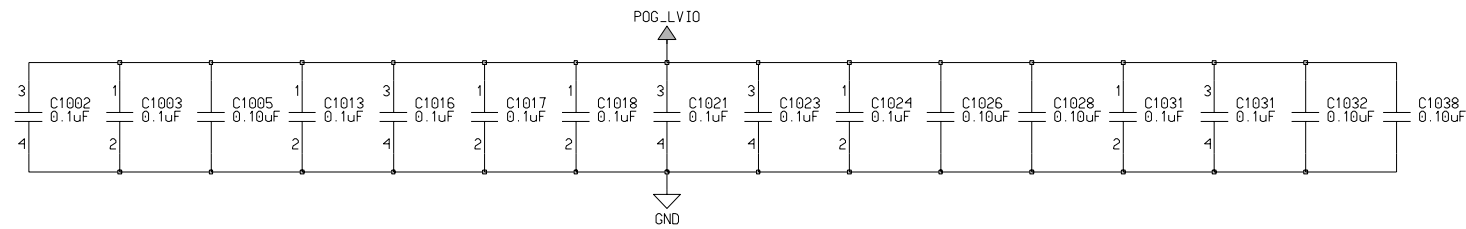
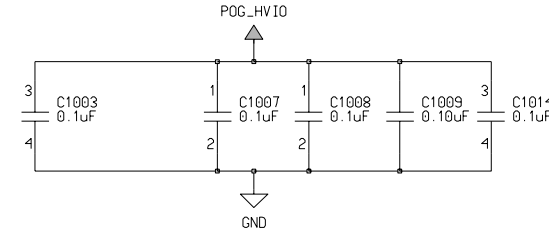
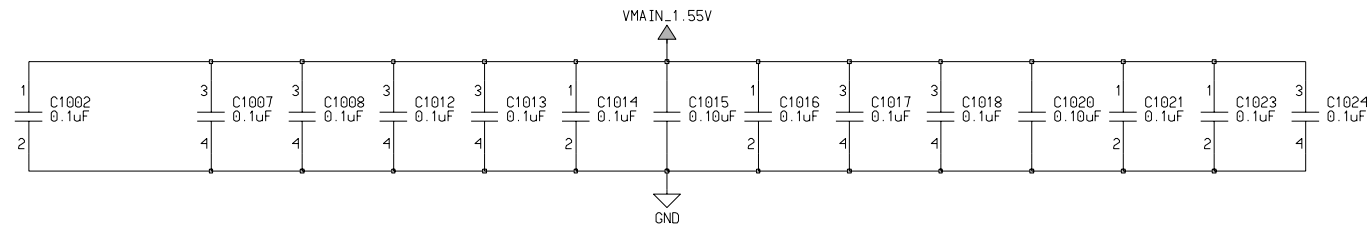
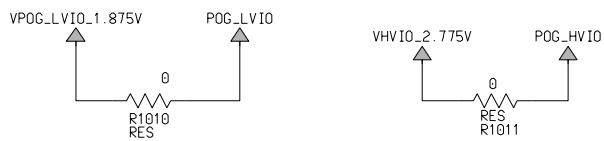
NEXUS SETUP

2 WIRE	-
8 WIRE ASAP/V5AP	(UNSTACKED CORE) DNP R1050 DNP R1051
8 WIRE SIM/MMC	(PERIPH) DNP R1071 DNP R1072



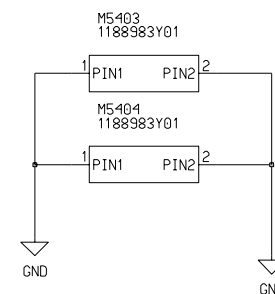
MOTOROLA CONFIDENTIAL PROPRIETARY

Engineer:	MOTOROLA INC.		
Drawn by:			
R&D CHK:	TITLE: SIRIUS	Size:	
DOC CTRL CHK:	POG Power Interface		
MFG CTRL CHK:	REV: P3	Drawing Number:	Page: 11 Of: 23
QA CHK:	Date: Tuesday, April 5, 2005	Time: 3:57:24 pm	
Changed by: Frg025			

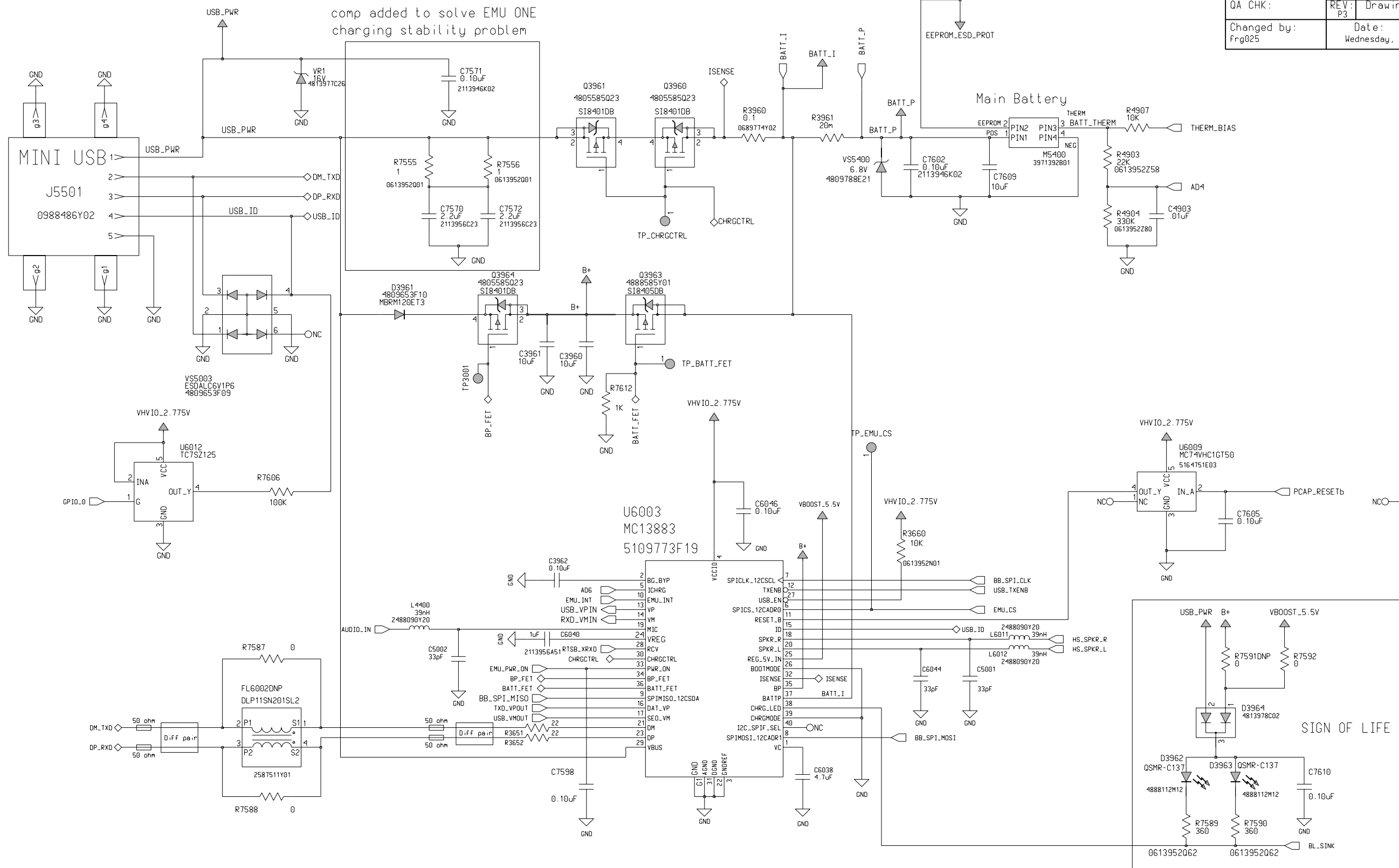


U1000 Production  
5199169K06

U1000 Development  
5199169K05



Engineer:	MOTOROLA INC.		
Drawn by:			
R&D CHK:	TITLE: SIRIUS IA	Size:	
DOC CTRL CHK:	EMU BUS AND CHARGING		
MFG CTRL CHK:	REV: P3	Drawing Number:	Page 12 Of 23
QA CHK:	Date: Wednesday, June 22, 2005	Time:	10:34:07 am
Changed by: Frg025			



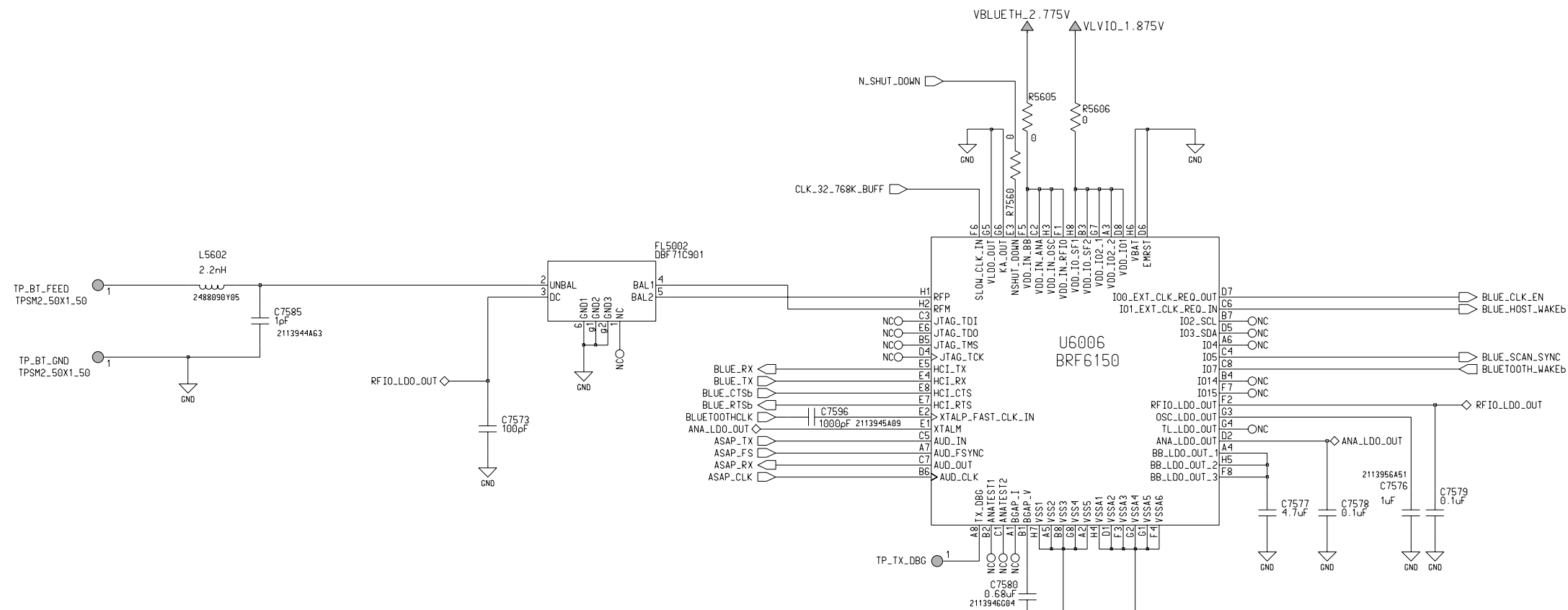
comp added to solve EMU ONE charging stability problem

Main Battery

SIGN OF LIFE

Engineer:	MOTOROLA INC.		
Drawn by:			
R&D CHK:	TITLE: SIRIUS	Size:	
DOC CTRL CHK:	Bluetooth		
MFG CTRL CHK:	REV: P3	Drawing Number:	Page: 14 Of: 23
QA CHK:	Date: Tuesday, April 5, 2005	Time:	4:08:48 pm
Changed by: Frg025			

Connect to POG PERIPH:F3 (LCD10)



A

B

C

D

E

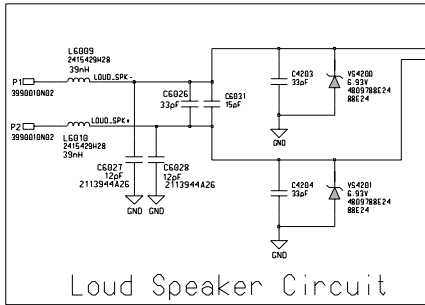
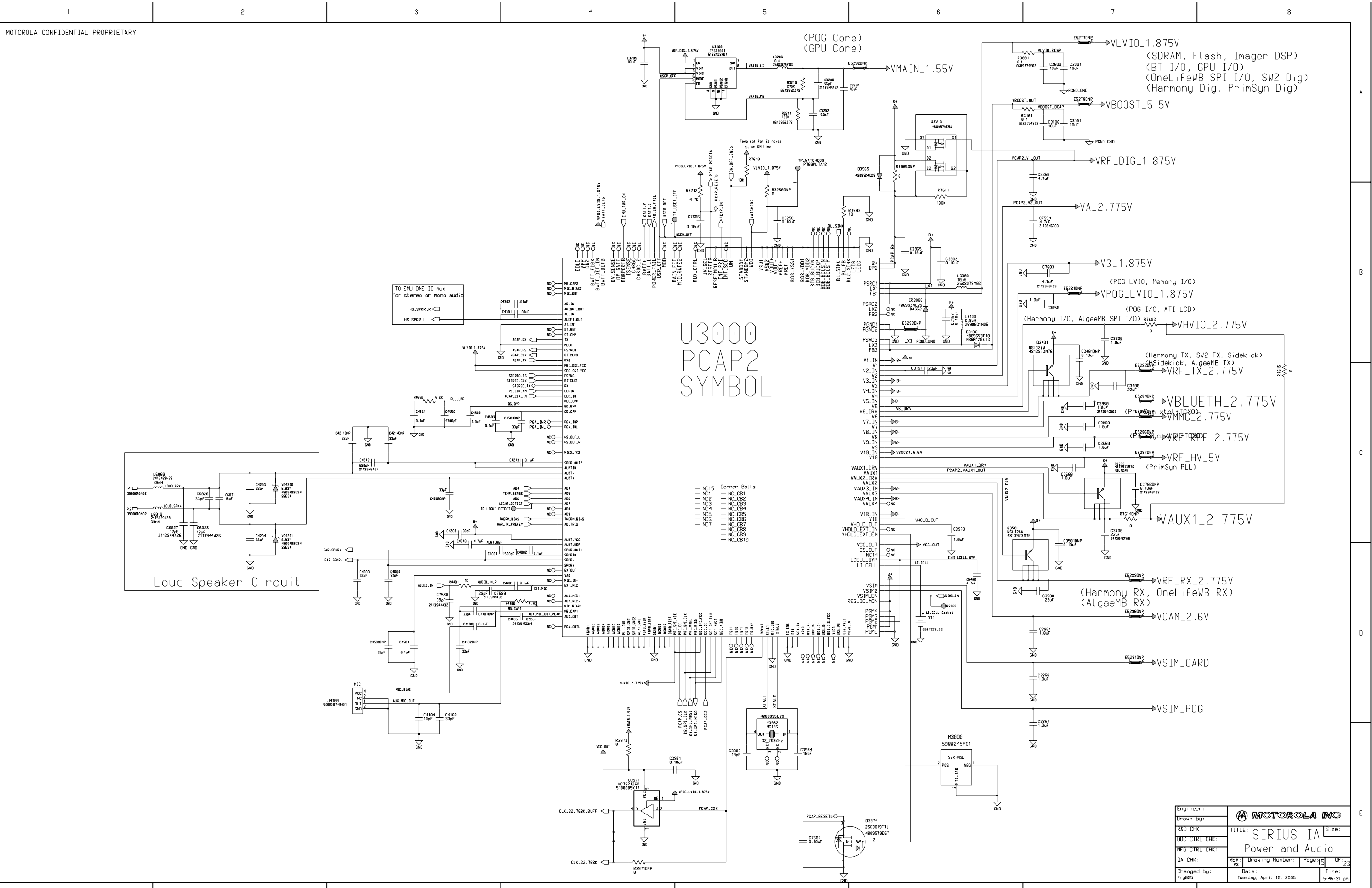
A

B

C

D

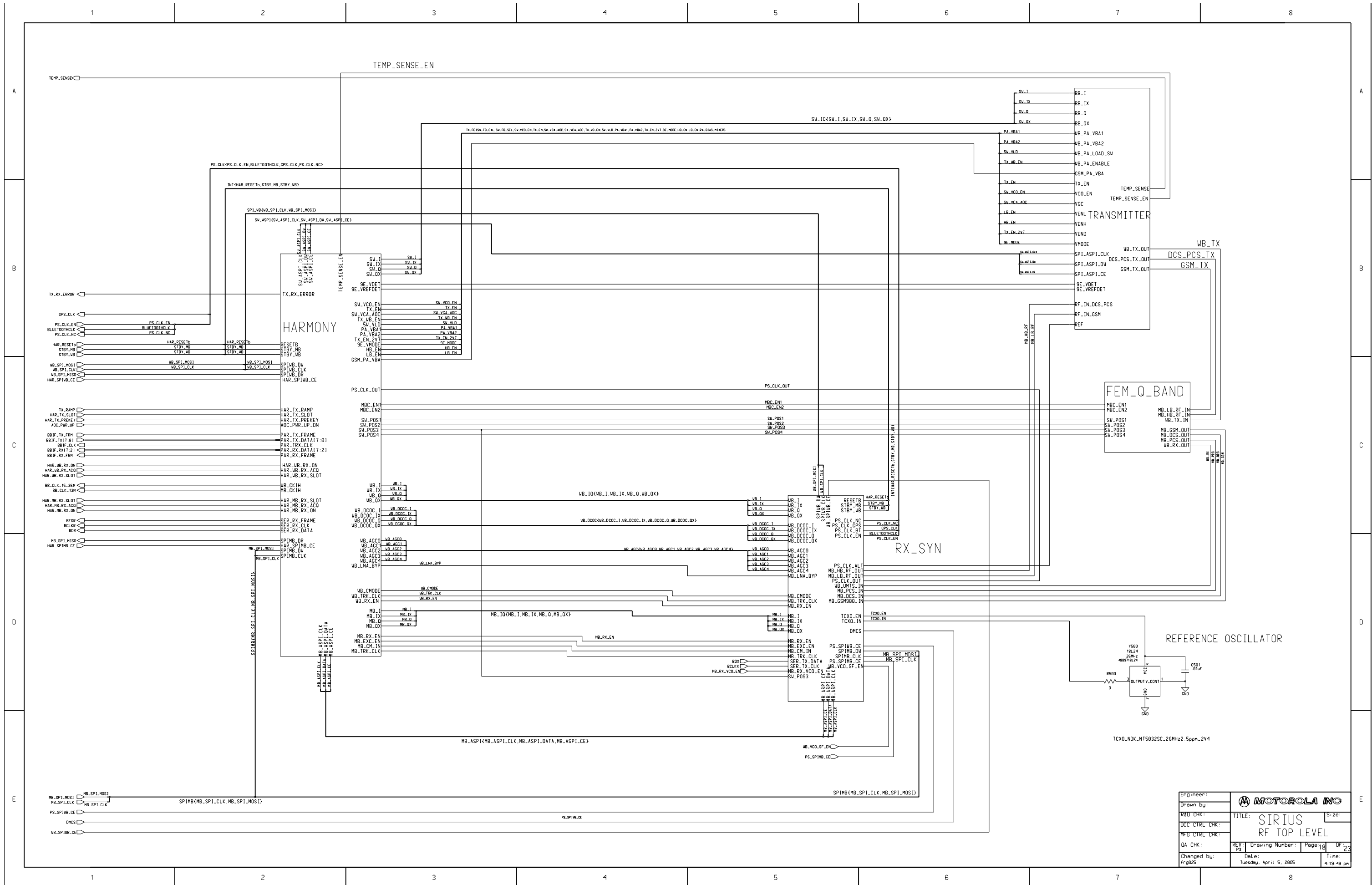
E



Loud Speaker Circuit

U3000  
PCAP2  
SYMBOL

Engineer:	MOTOROLA INC		
Drawn By:	SIRIUS IA		
R&D CHK:	Power and Audio		
DOC CTRL CHK:	REV: P3	Drawing Number:	Page 15 of 23
QA CHK:	Date:	Tuesday, April 12, 2005	Time: 5:45:31 pm
Changed by:	Frg025		



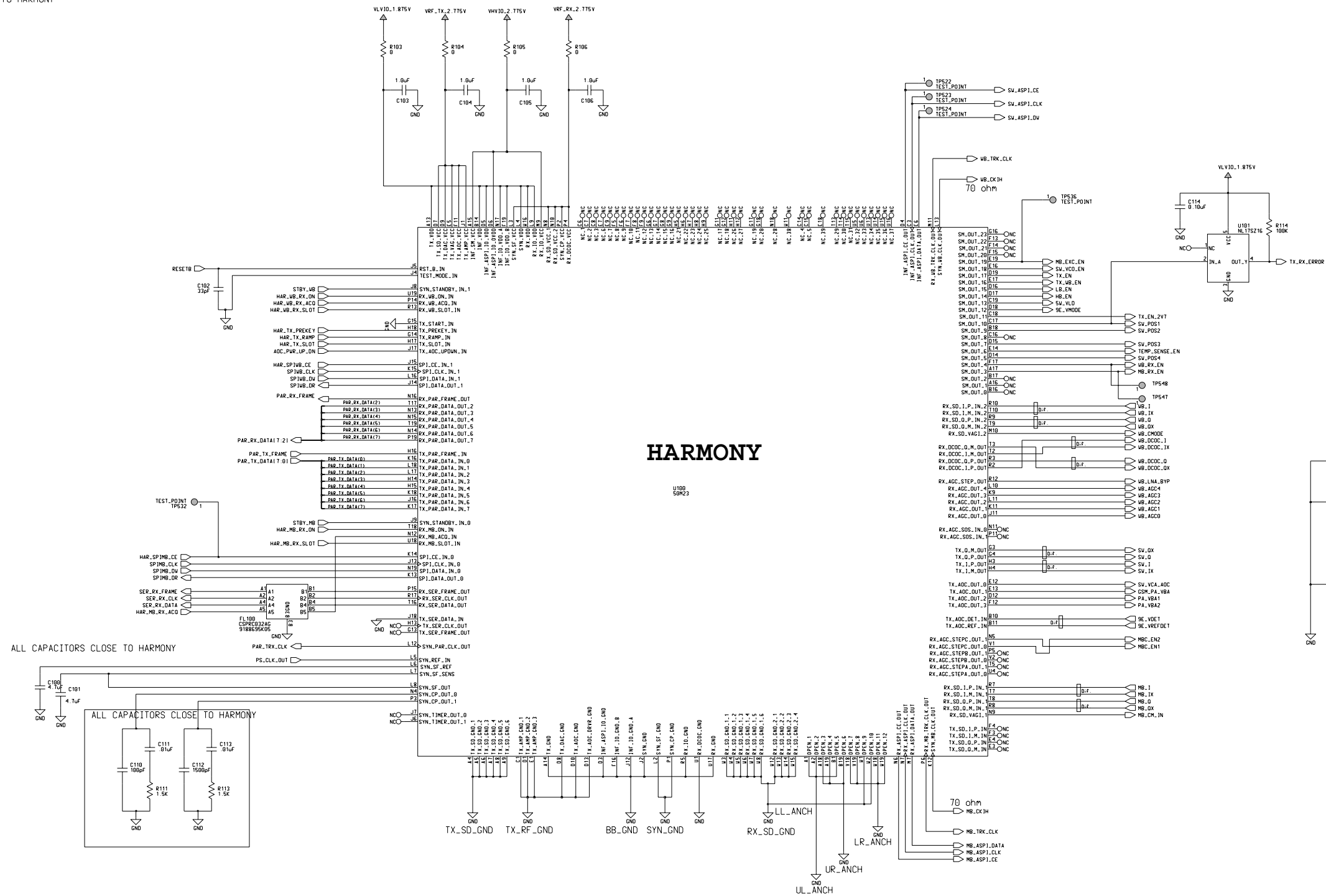
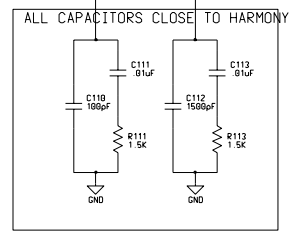
Engineer:	<b>MOTOROLA INC</b>		
Drawn by:		TITLE: <b>SIRIUS</b>	Size:
RAD CHK:		RF TOP LEVEL	
DOC CTRL CHK:			
PHS CTRL CHK:			
QA CHK:	REV: P3	Drawing Number: Page 18 of 23	Time:
Changed by: frg025	Date: Tuesday, April 5, 2005		4:19:49 pm

TP placeholders for pins with NC

SYNTHESIS CAPACITORS CLOSE TO HARMONY

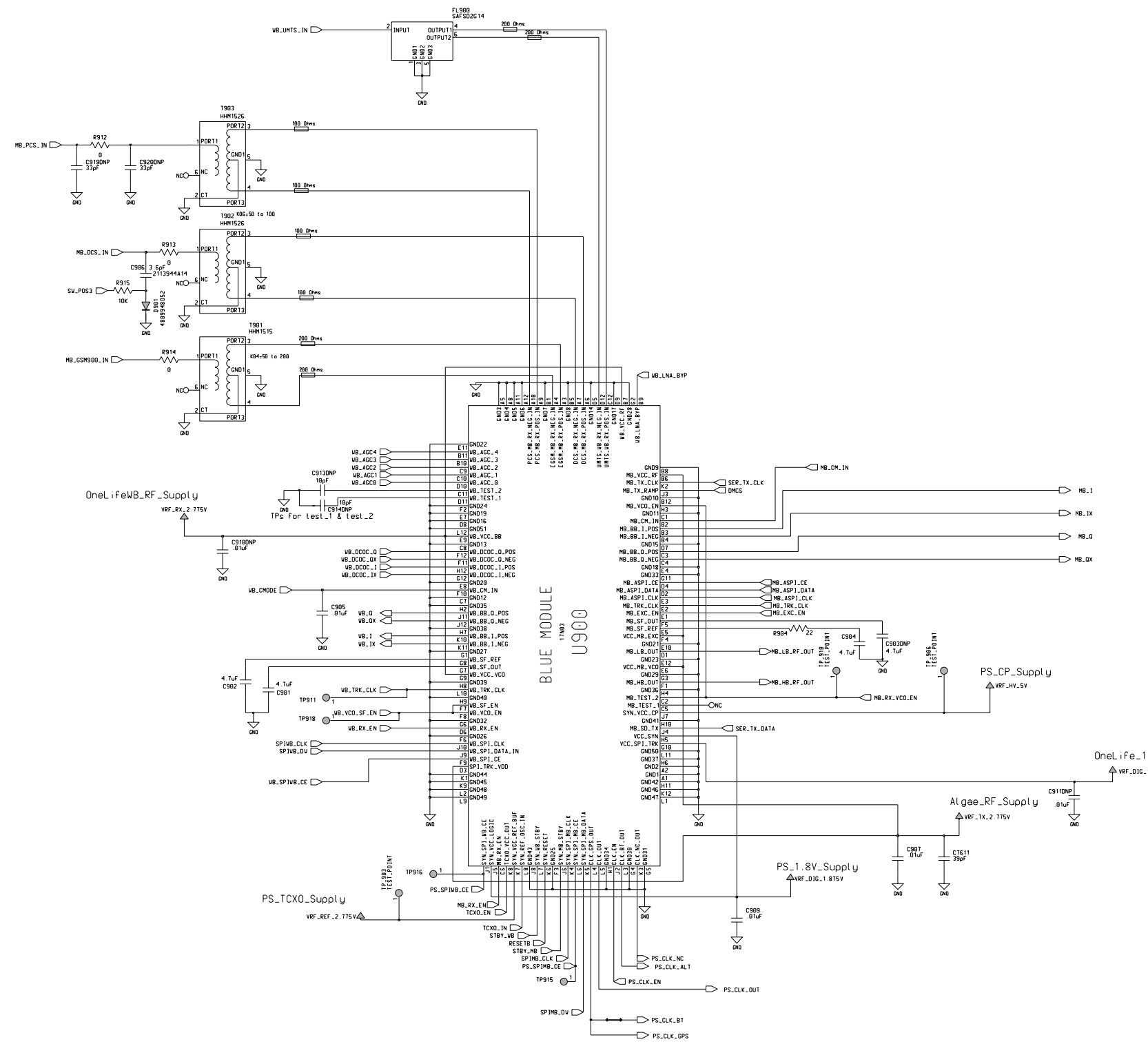
SUPPLIES INTERCONNECTIONS FAR FROM HARMONY

ALL CAPACITORS CLOSE TO HARMONY



**HARMONY**

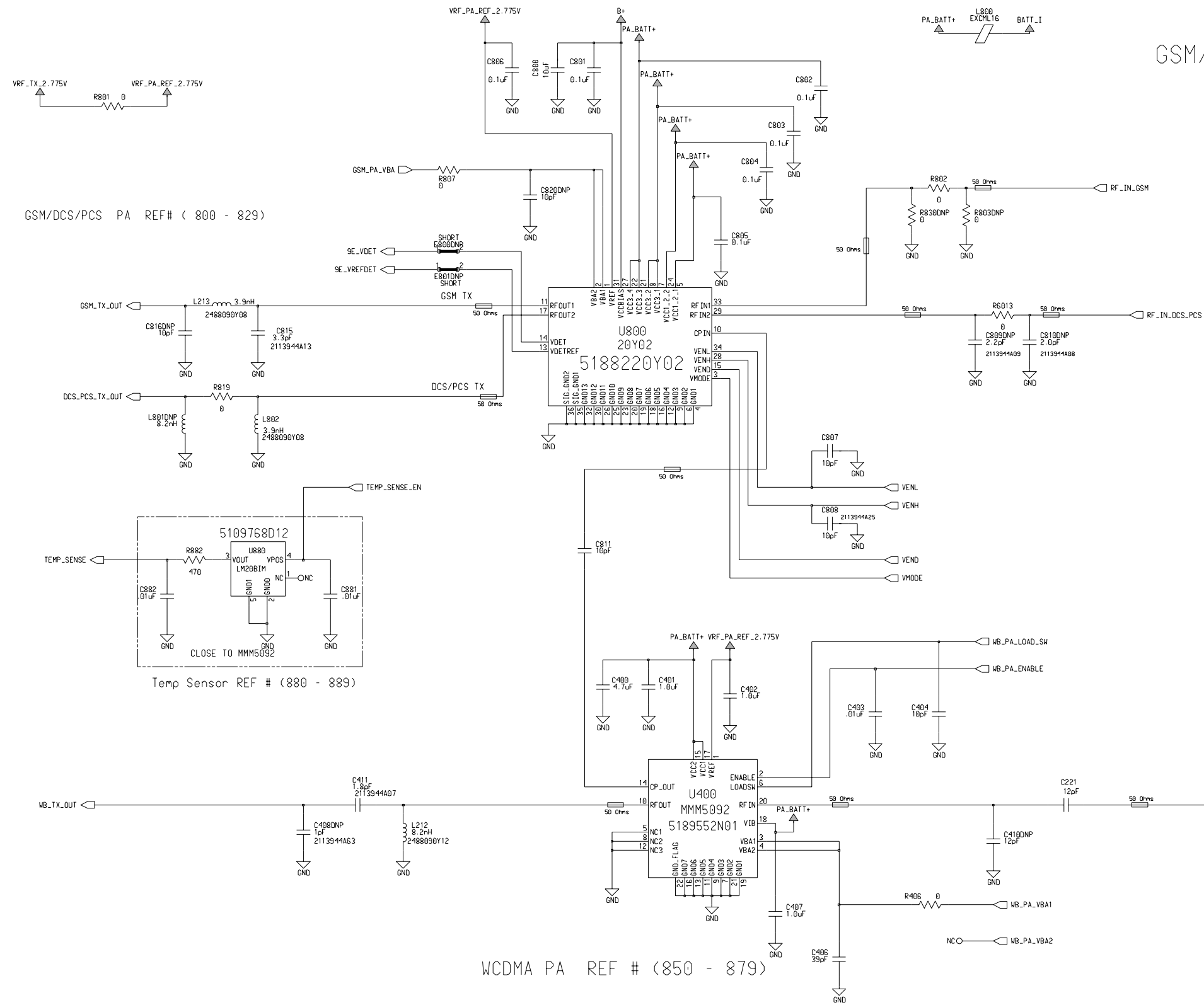
Engineer:			
Drawn by:			
RAD CHK:	TITLE: SIRIUS HARMONY	Size:	
DDC CTRL CHK:			
MBG CTRL CHK:			
QA CHK:	REV: P3	Drawing Number: Page 13	Of 23
Changed by: frg025	Date: Tuesday, April 5, 2005	Time: 4:15:58 pm	



Engineer Matt Schneider	MOTOROLA BOYNTON BEACH FLORIDA		
Drawn by Matt Schneider			
R&D CHK	TITLE	SIRIUS	
DOC CTRL CHK		Rx/Syn	
MFG CTRL CHK			
QA CHK	REV 1.0	Drawing Number	Sheet 20 of 23

Changed by Frg025 Date Changed Tuesday, April 5, 2005 Time 4:19:02 pm

# GSM/DCS/PCS and WCDMA Transmitters

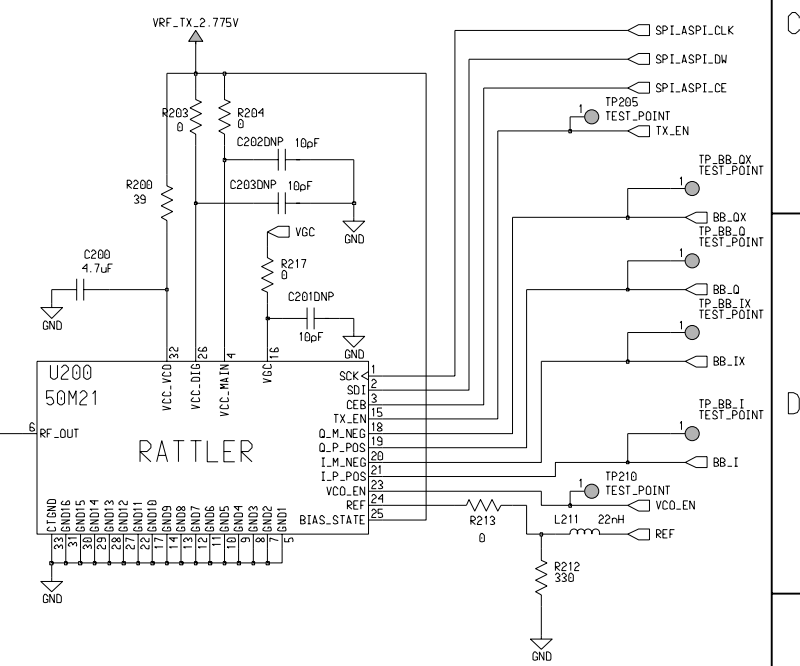


GSM/DCS/PCS PA REF # ( 800 - 829)

Temp Sensor REF # (880 - 889)

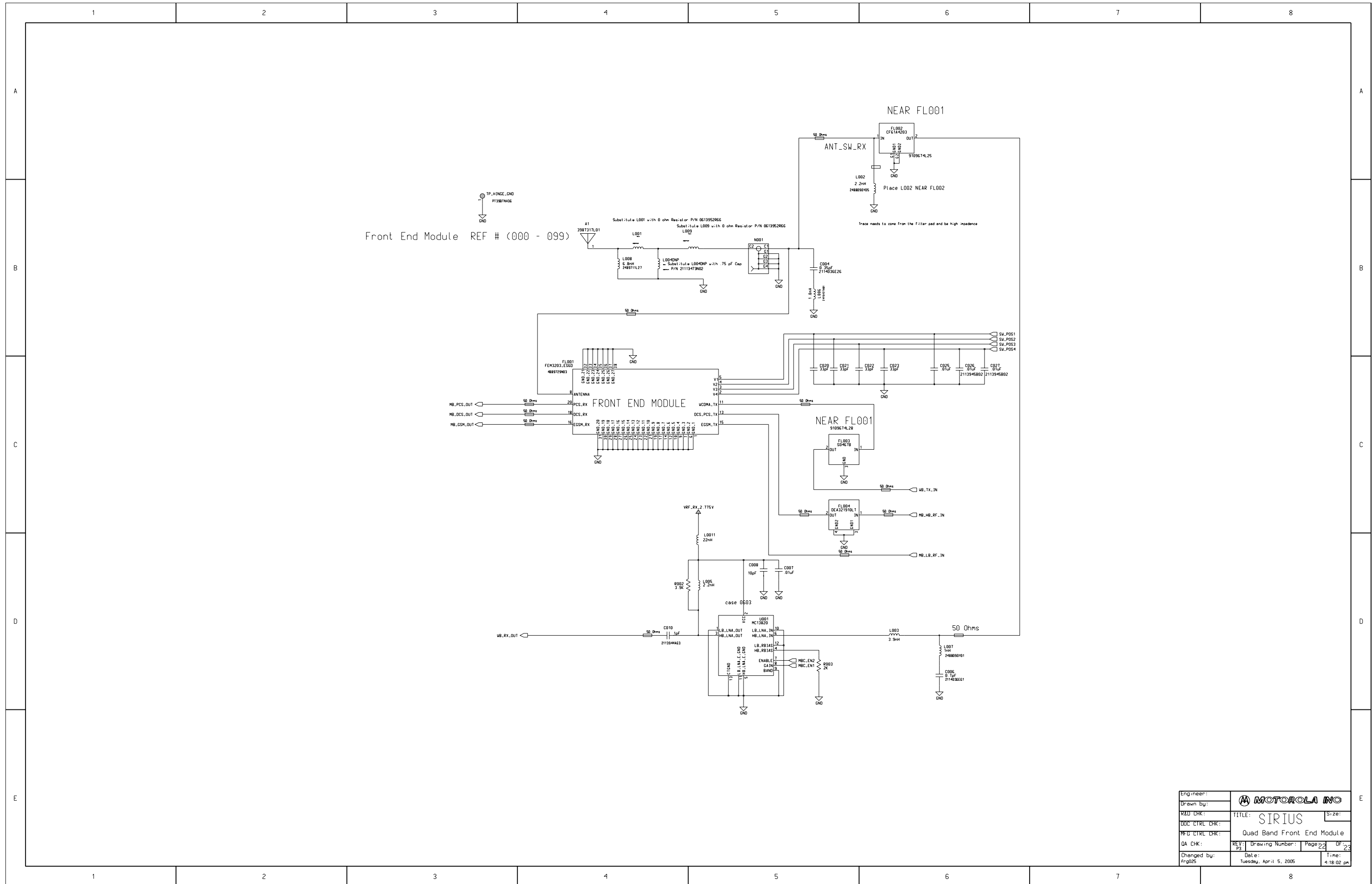
WCDMA PA REF # (850 - 879)

## TX\_RATTLER\_MODULE



Engineer:	<b>MOTOROLA INC.</b>		
Drawn by:			
R&D CHK:	TITLE: SIRIUS IA	Size:	
DOC CTRL CHK:	TRANSMITTER		
MFG CTRL CHK:	REV: P3	Drawing Number: 21	
QA CHK:	Page: 21	OF: 23	
Changed by: Frq025	Date: Tuesday, April 5, 2005	Time: 4:17:06 pm	





Front End Module REF # (000 - 099)

Engineer:	MOTOROLA INC		
Drawn by:			
RAD CHK:	TITLE: SIRIUS	Size:	
DOC CTRL CHK:	Quad Band Front End Module		
DESIGN CTRL CHK:	REV: P3	Drawing Number:	Page 22 of 23
QA CHK:	Date:	Time:	
Changed by:	Date:	Time:	
Frg025	Tuesday, April 5, 2005	4:18:02 pm	