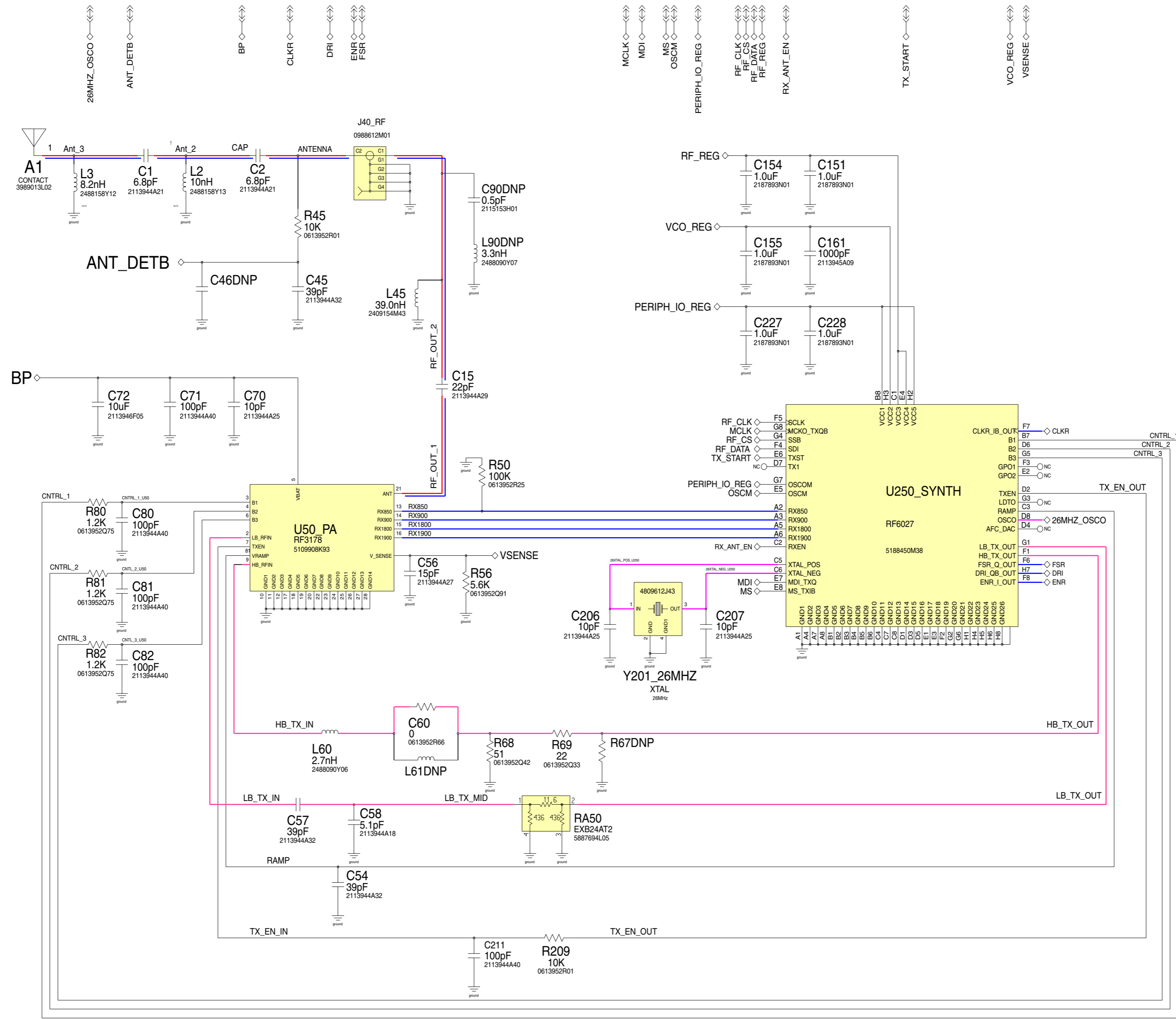


MOTOROLA
 CONFIDENTIAL PROPRIETARY
 Friday, 2 September 2005
 3:38 PM
V3i
 8489776Y02_A_3
 power_management rev. 30

V3i 8489776Y02_A_3_P03



	2005.09.06
Level 3 Schematics	Rev. 1.0
V3i	8489776Y02_A_3
Alexander Buchler, Michael Hansen	Page 1 of 5



MOTOROLA
 CONFIDENTIAL PROPRIETARY
 Friday, 2 September 2005
 2:23 PM

Print @ 11x17; B size; 1.00
 V3i 8489776Y02_A_3
 rf_sheet rev. 22
 10

V3i 8489776Y02_A_3_P03

Service Engineering & Optimization
 Level 3 Authorized

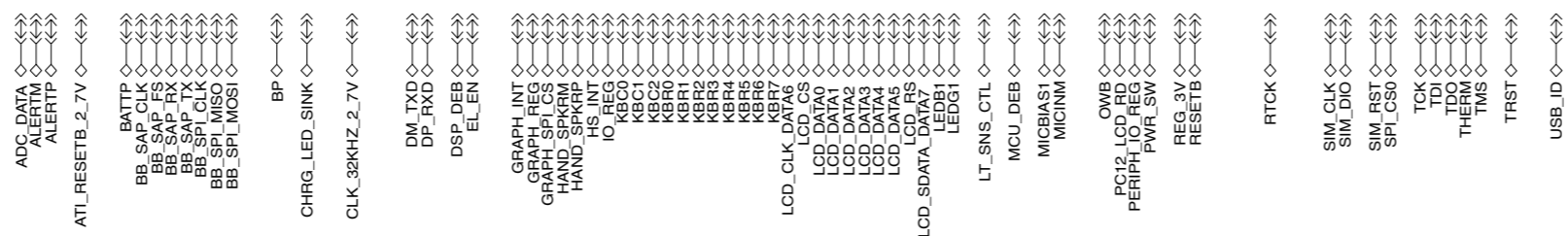
Level 3 Schematics	2005.09.06
V3i	Rev. 1.0
Alexander Buehler, Michael Hansen	8489776Y02_A_3 Page 2 of 5

MOTOROLA
CONFIDENTIAL PROPRIETARY

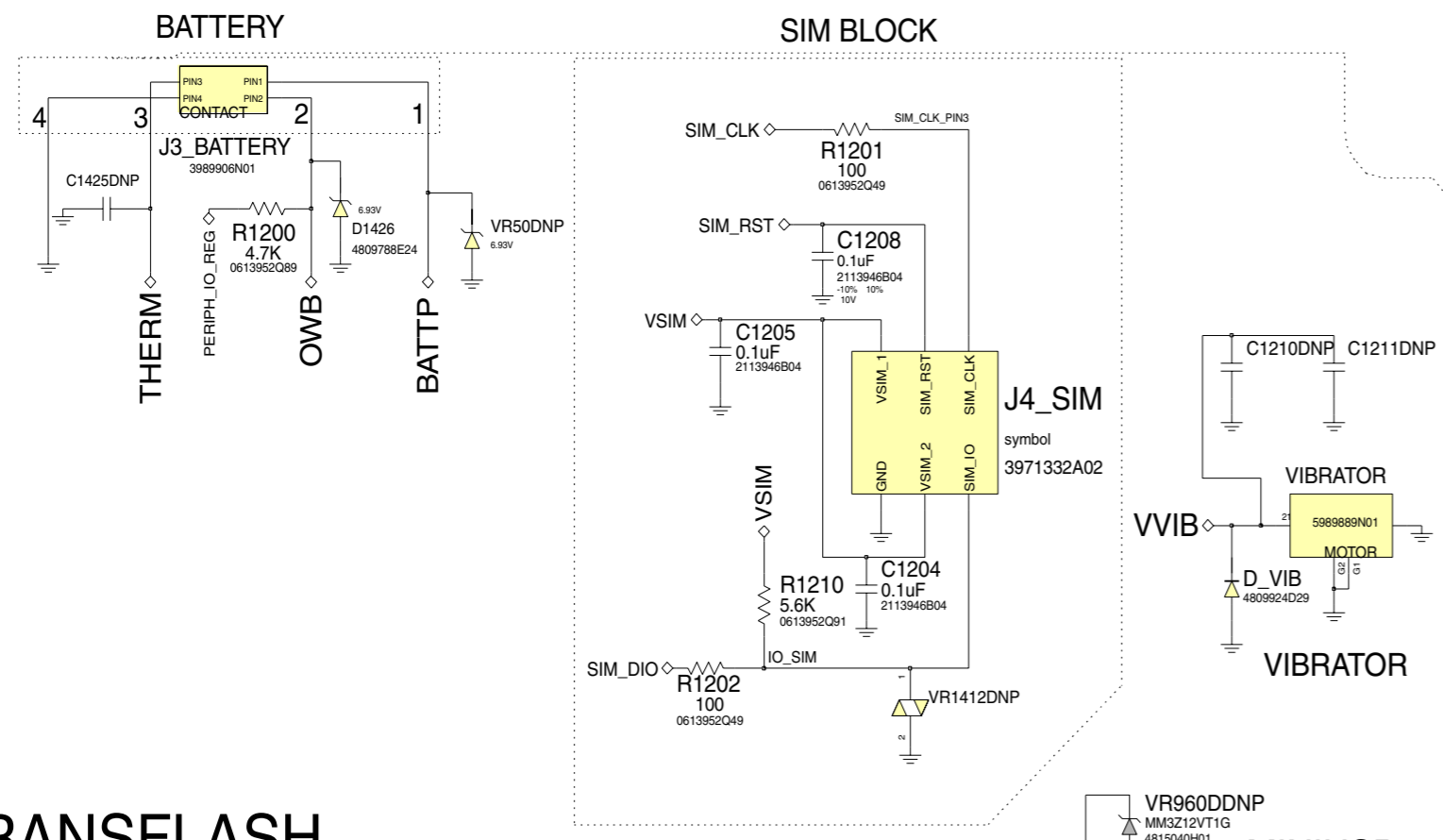
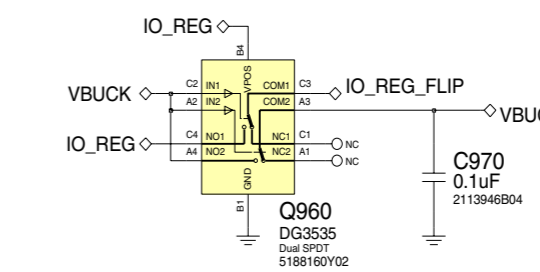
Friday, 2 September 2005

V3i 2:24 PM

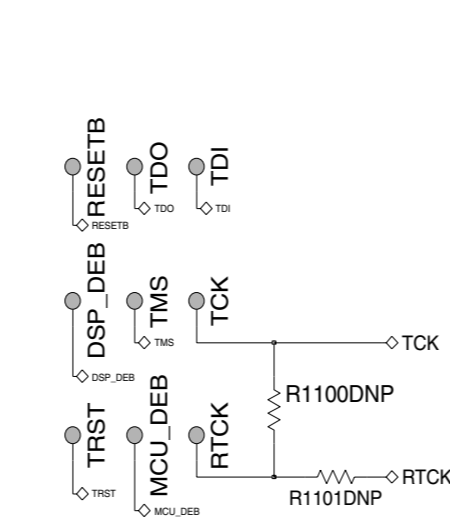
8489776Y02_A_3
sheet1 rev.57



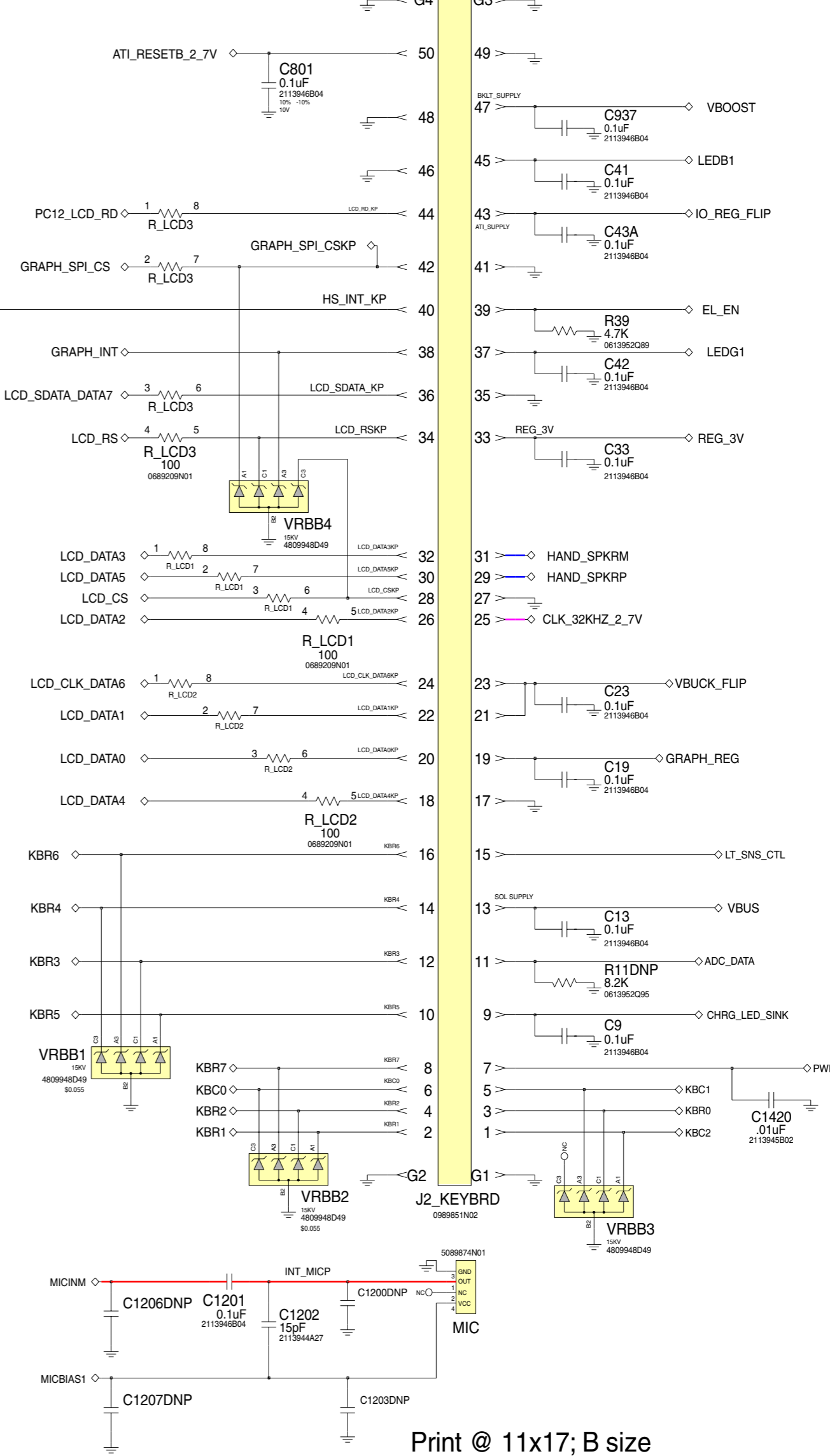
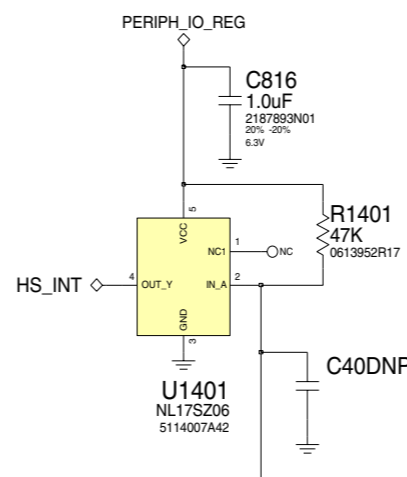
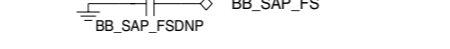
KEYBOARD FLEX CONNECTION



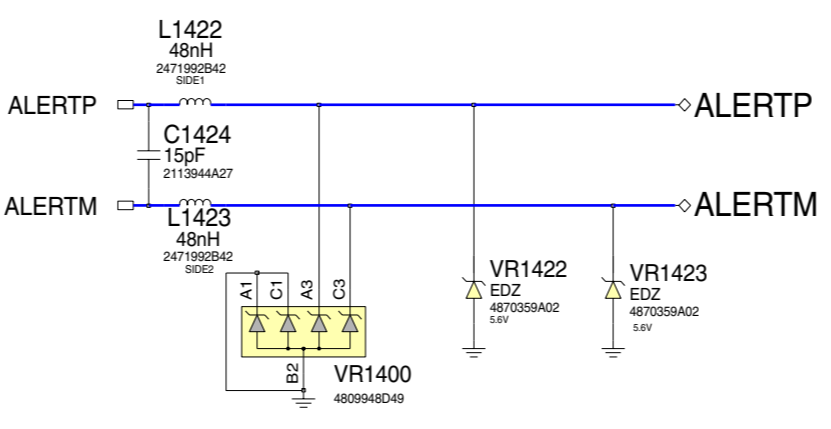
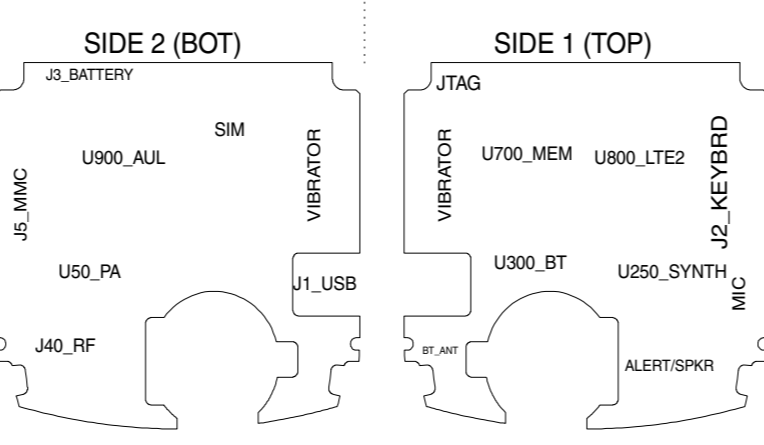
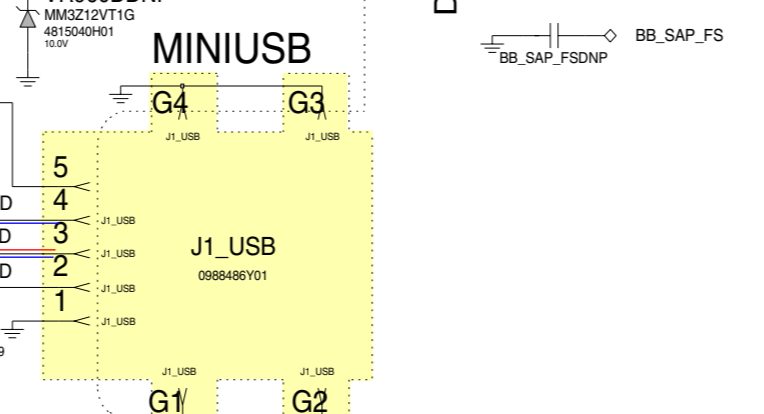
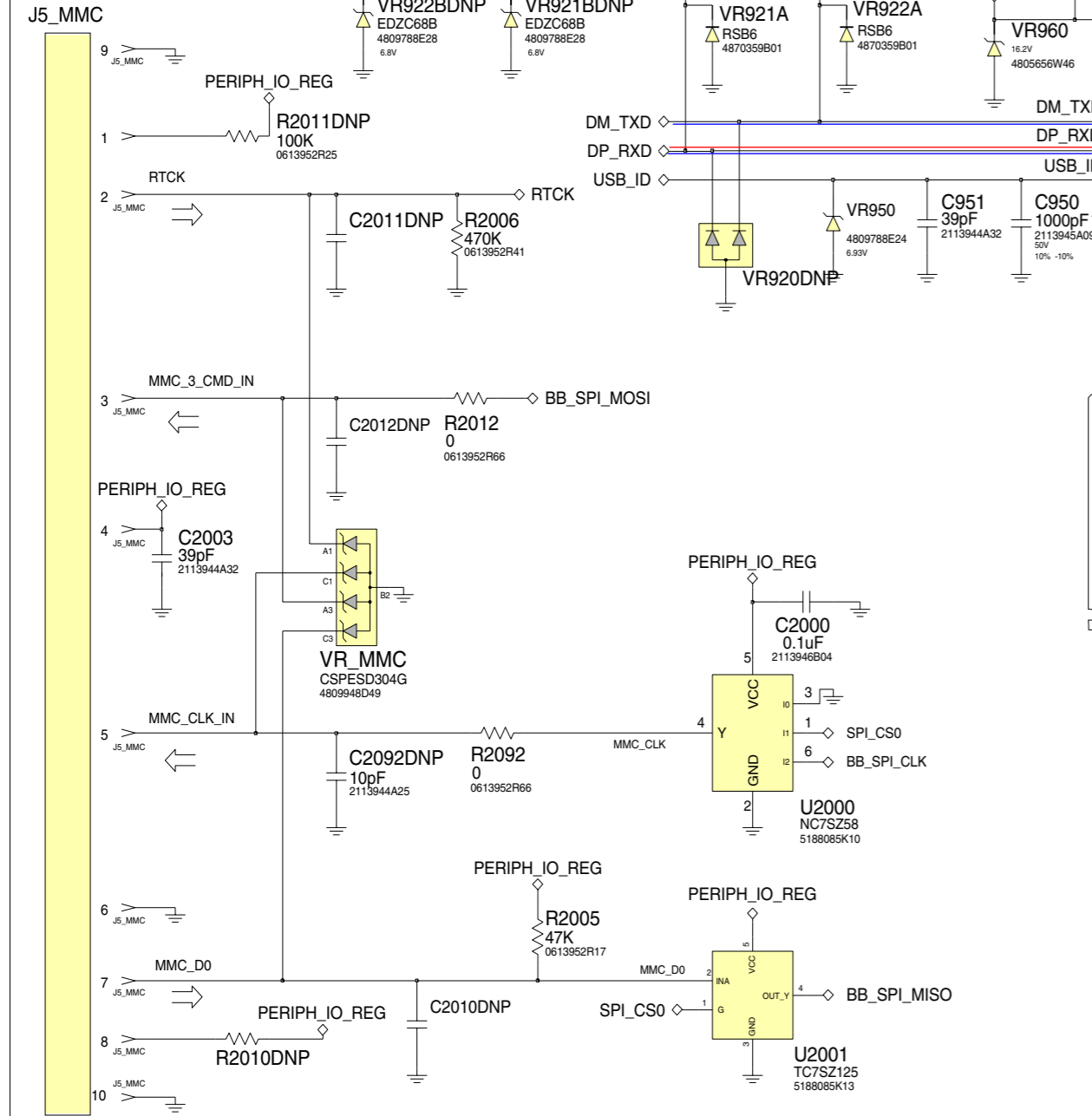
JTAG TESTPOINTS



DAI SIGNALS



TRANSFLASH

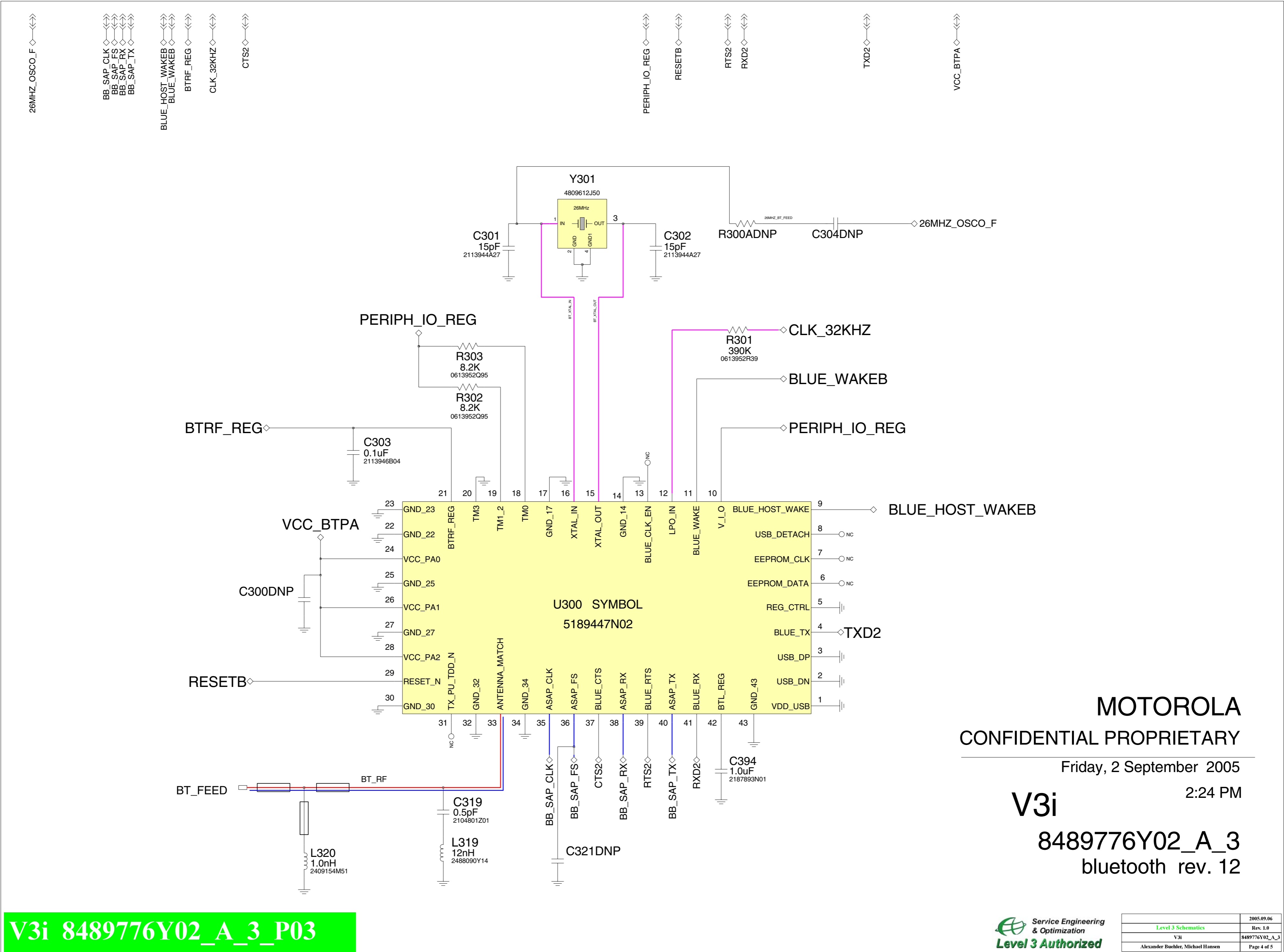


Print @ 11x17; B size

V3i 8489776Y02_A_3_P03

Service Engineering & Optimization
Level 3 Authorized

	2005.09.06
Level 3 Schematics	Rev. 1.0
V3i	8489776Y02_A_3
Alexander Buehler, Michael Hansen	Page 3 of 5



MOTOROLA
CONFIDENTIAL PROPRIETARY

Friday, 2 September 2005

2:24 PM

V3i
8489776Y02_A_3
bluetooth rev. 12

V3i 8489776Y02_A_3_P03

