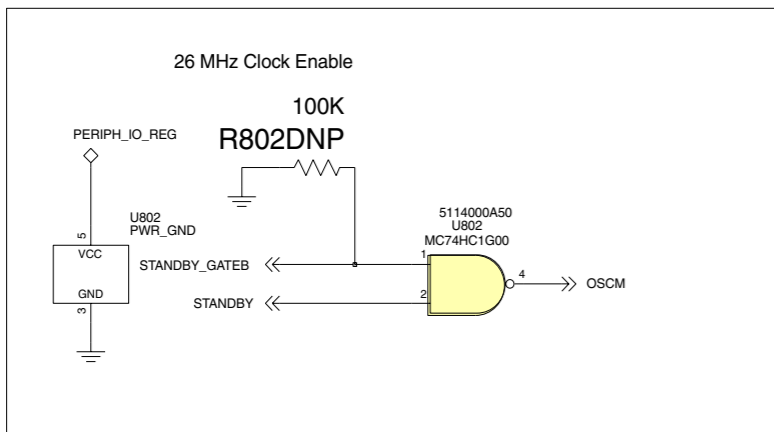
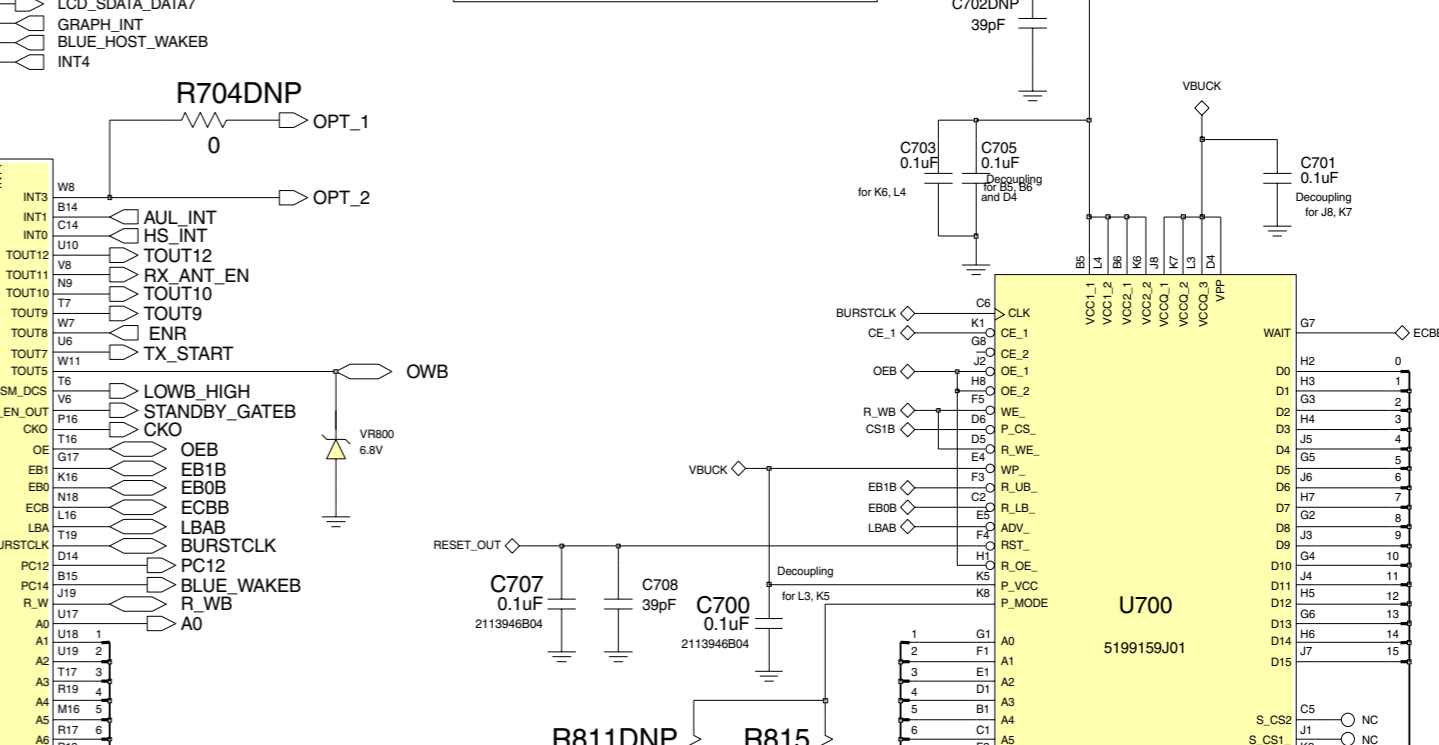
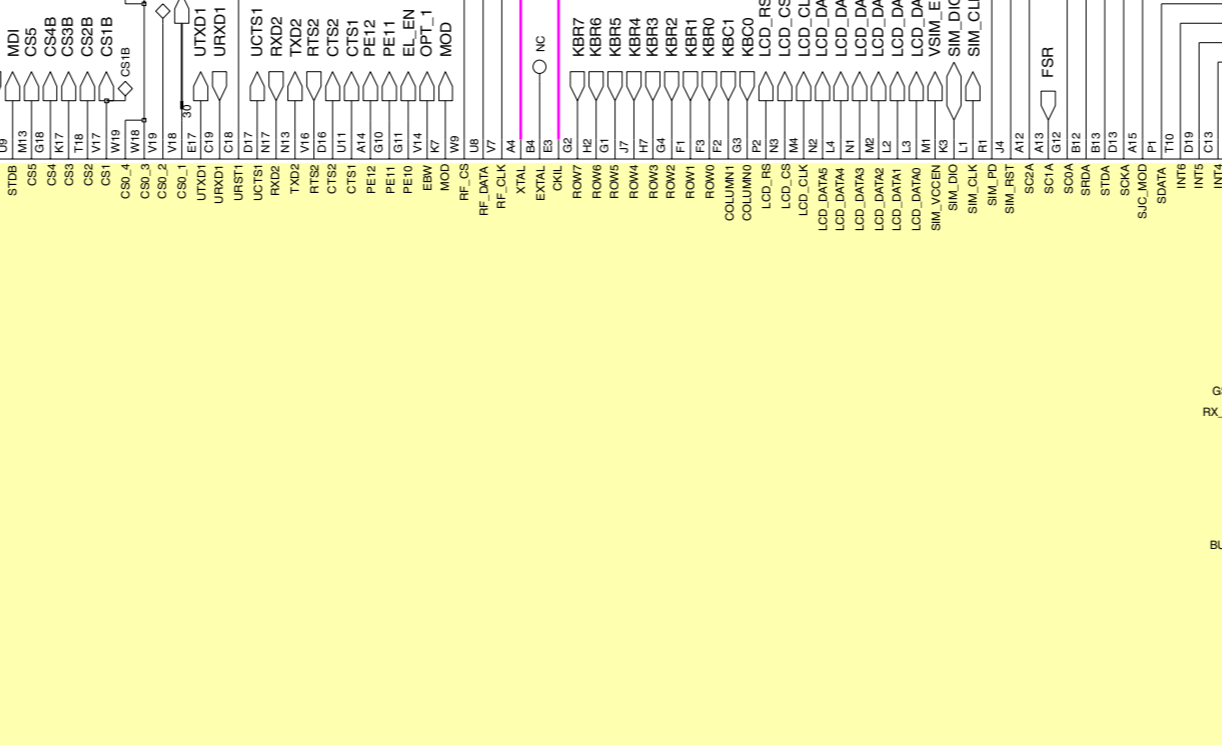
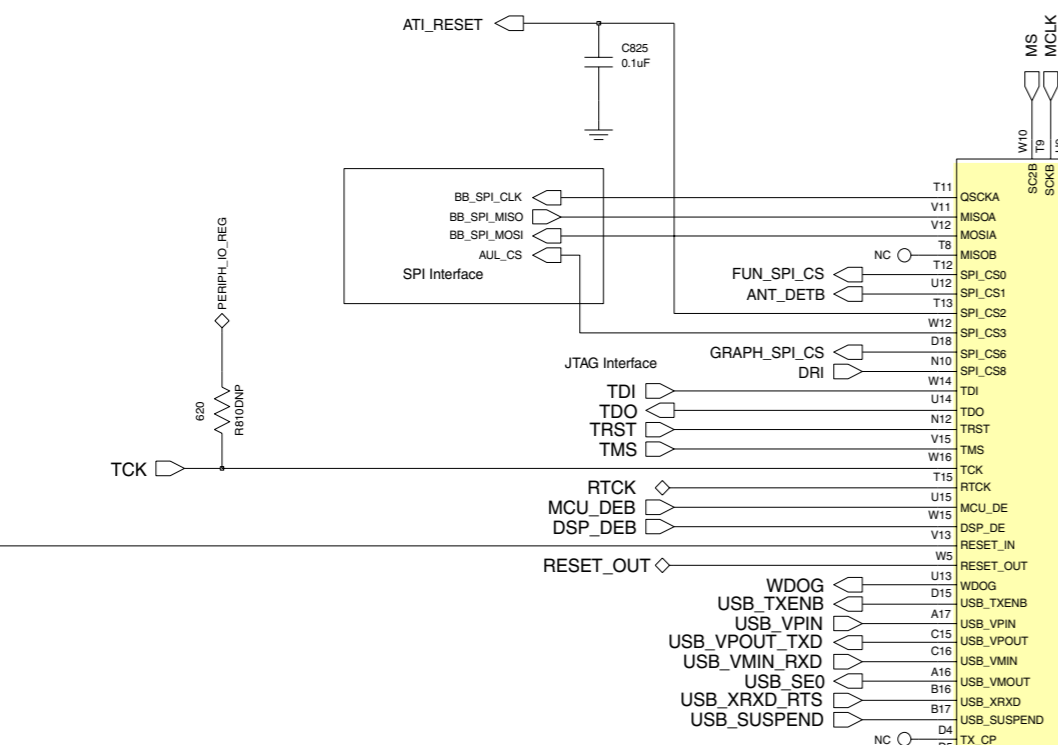
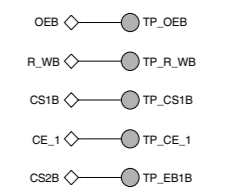
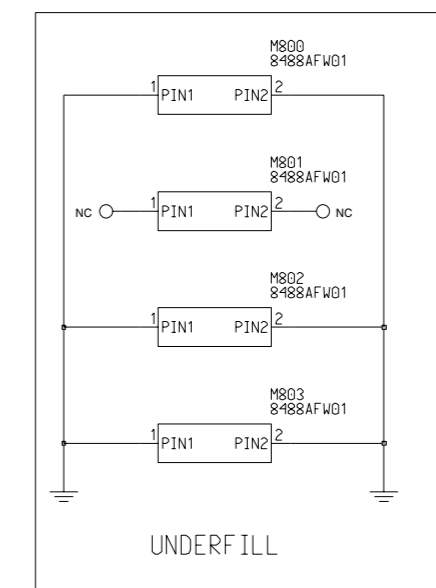
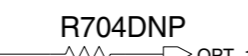
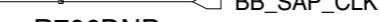
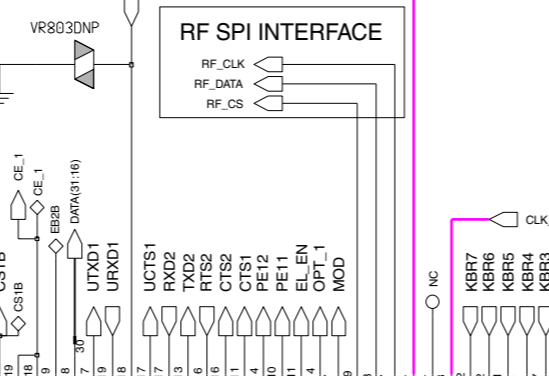
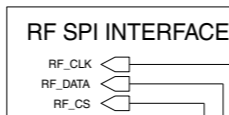
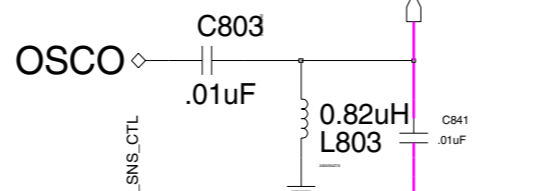


MOTOROLA CONFIDENTIAL PROPRIETARY

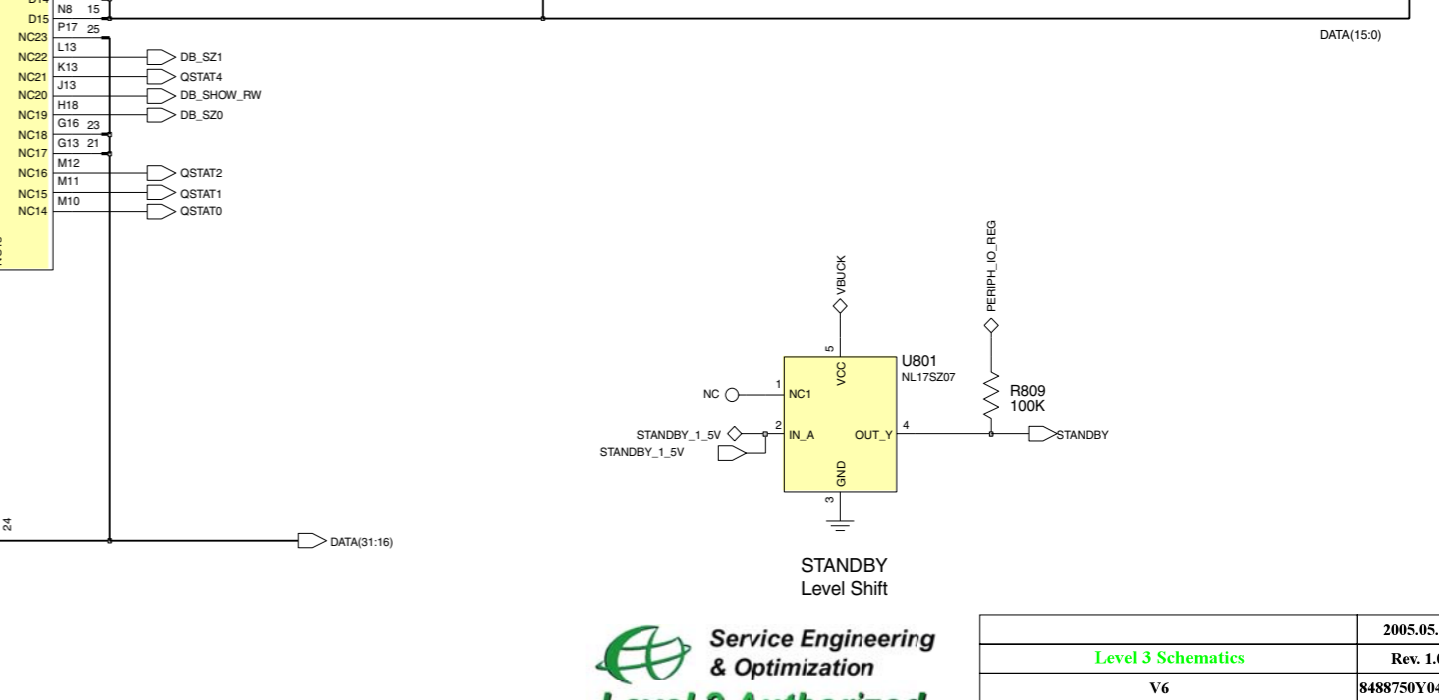
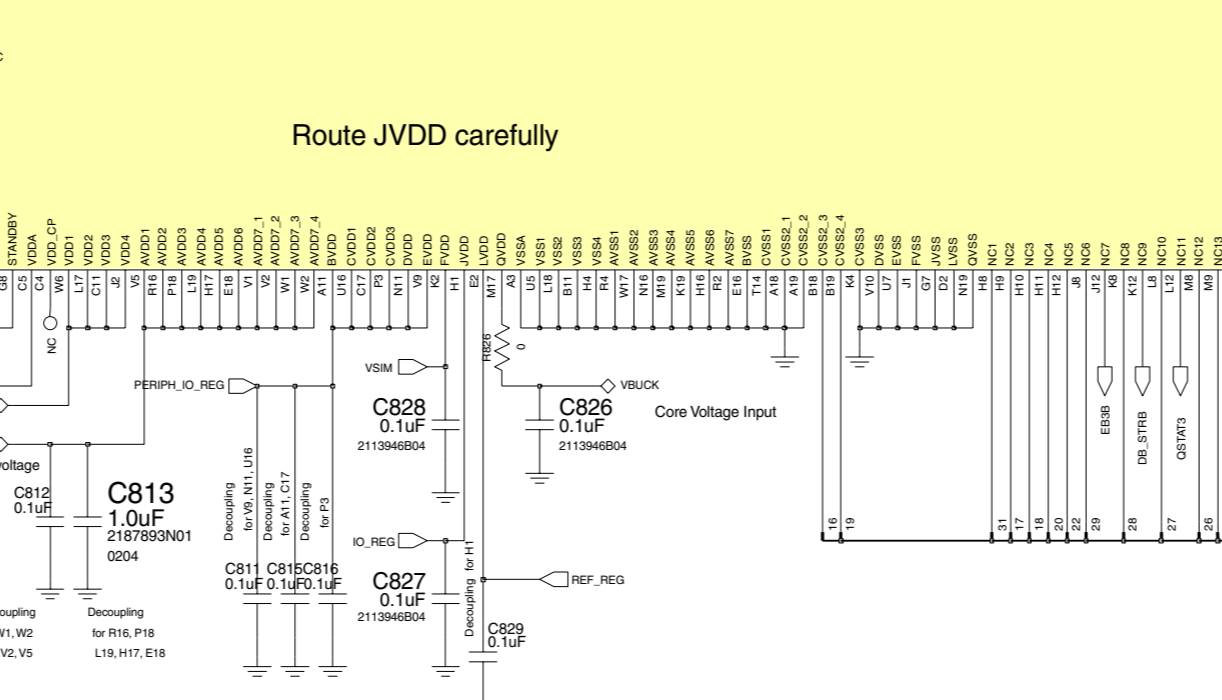
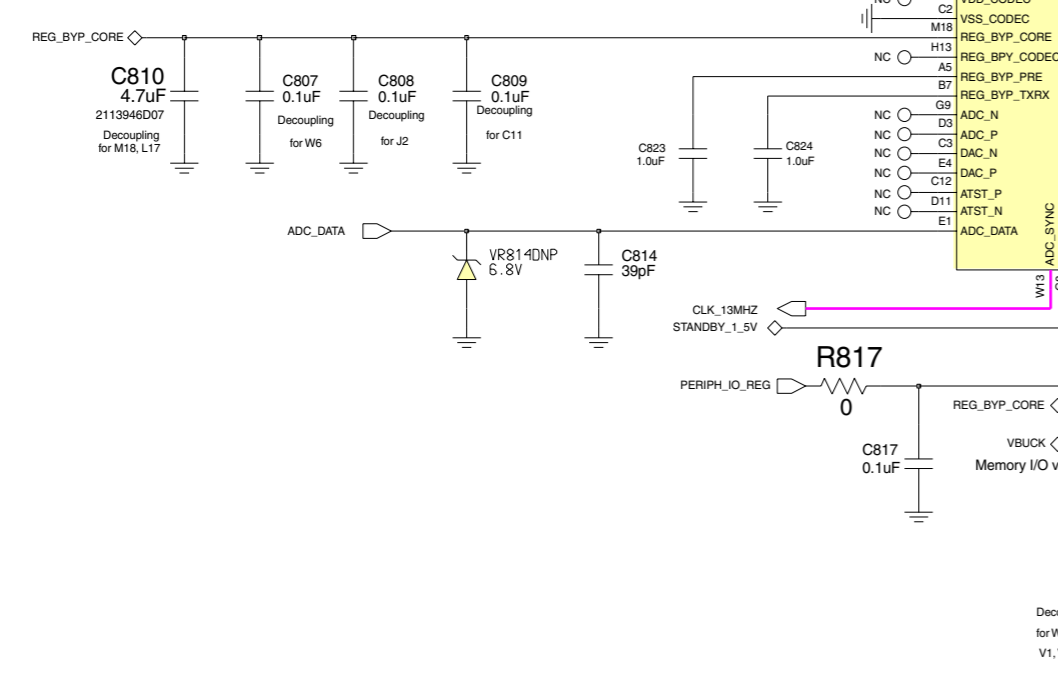
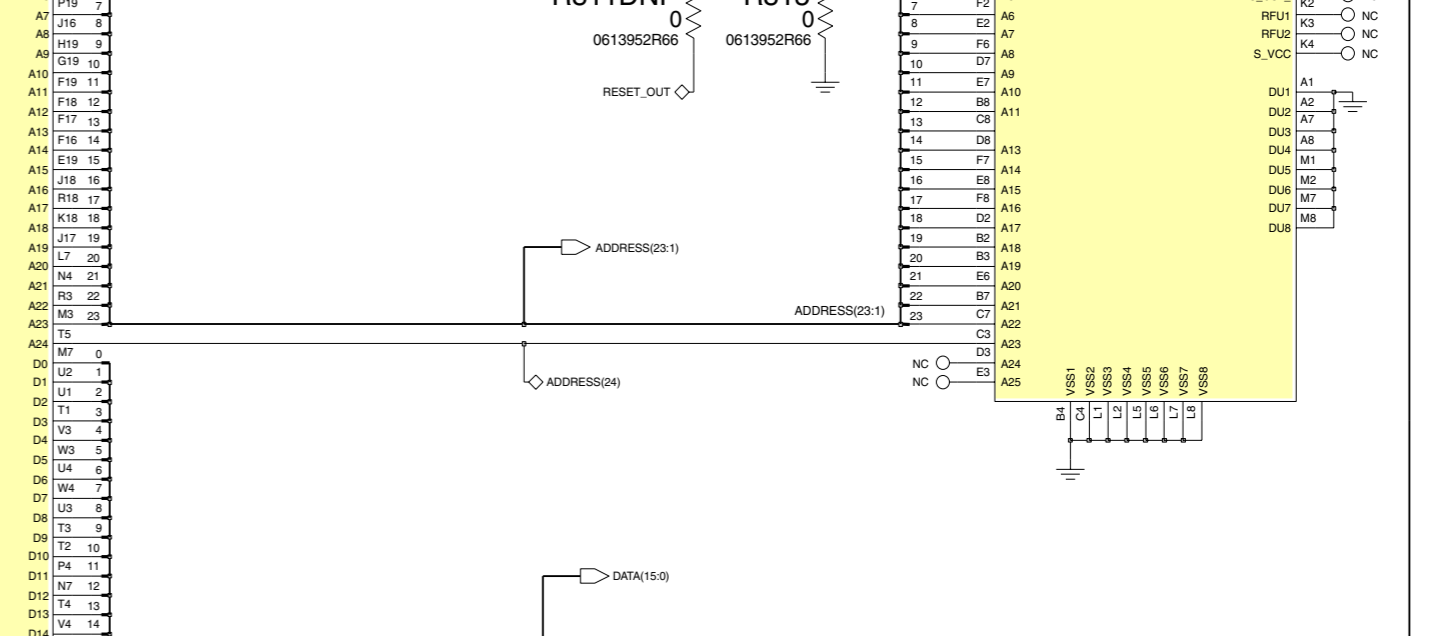
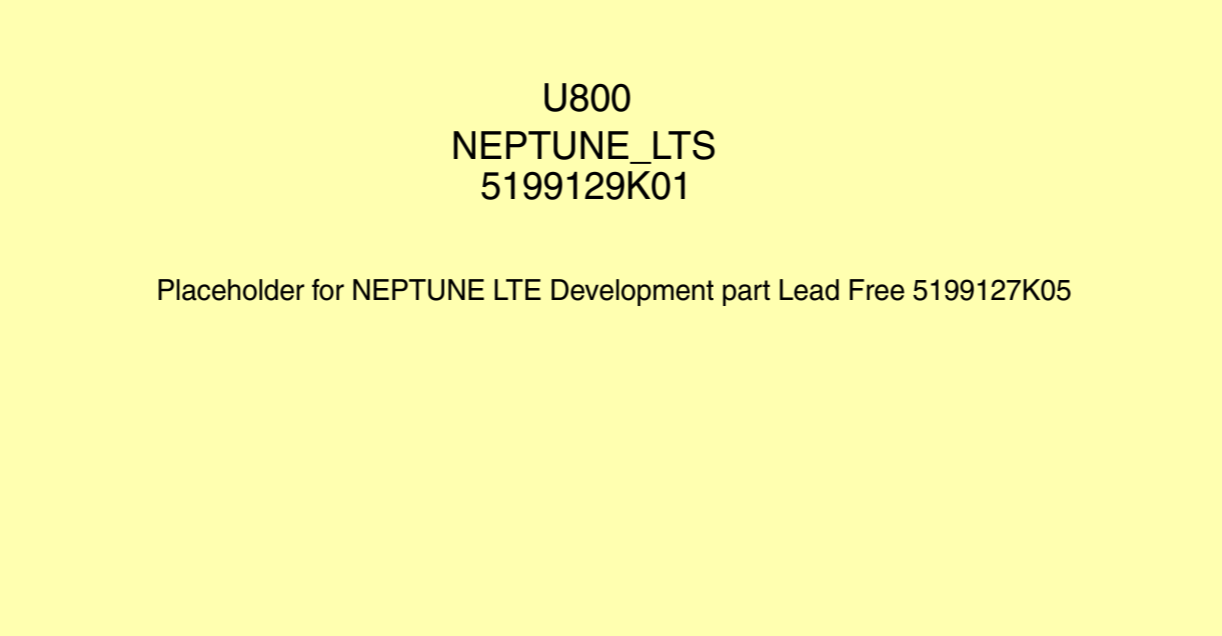
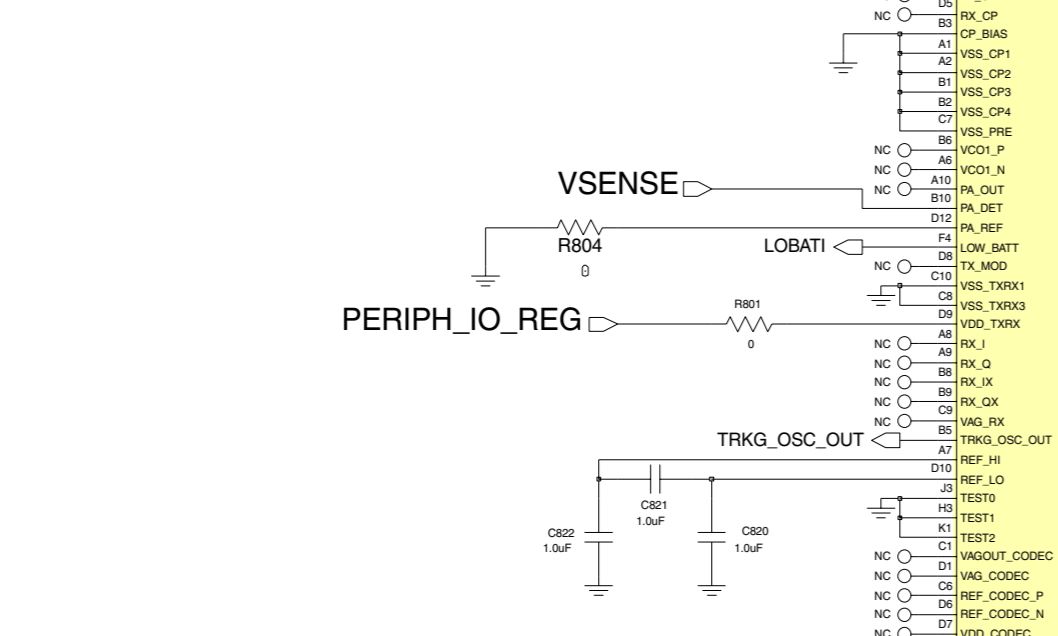


REMOVE WHEN SIM_PD IS WORKING ON ATLAS



U800 NEPTUNE_LTS 5199129K01

Placeholder for NEPTUNE LTE Development part Lead Free 5199127K05

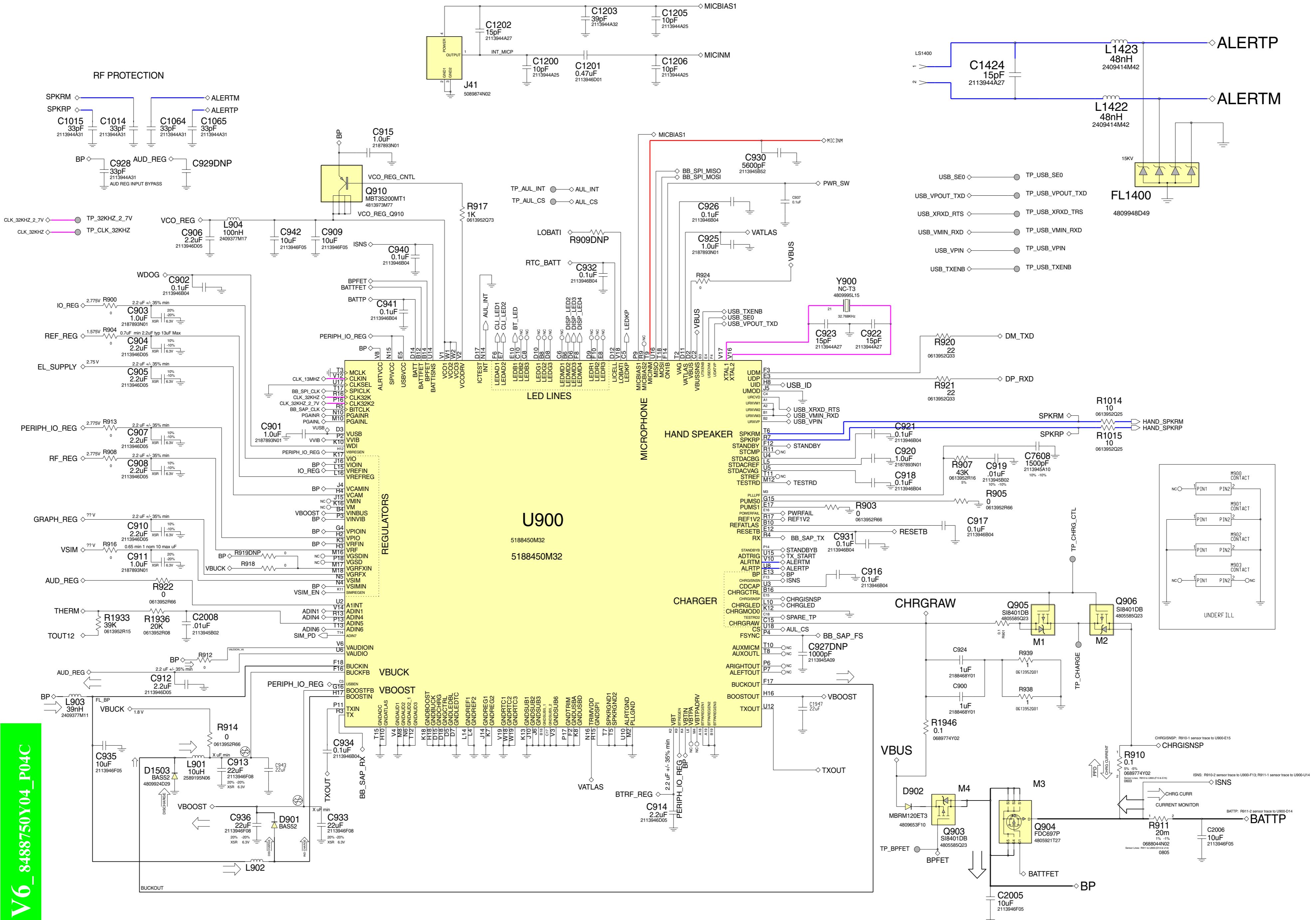


Route JVDD carefully

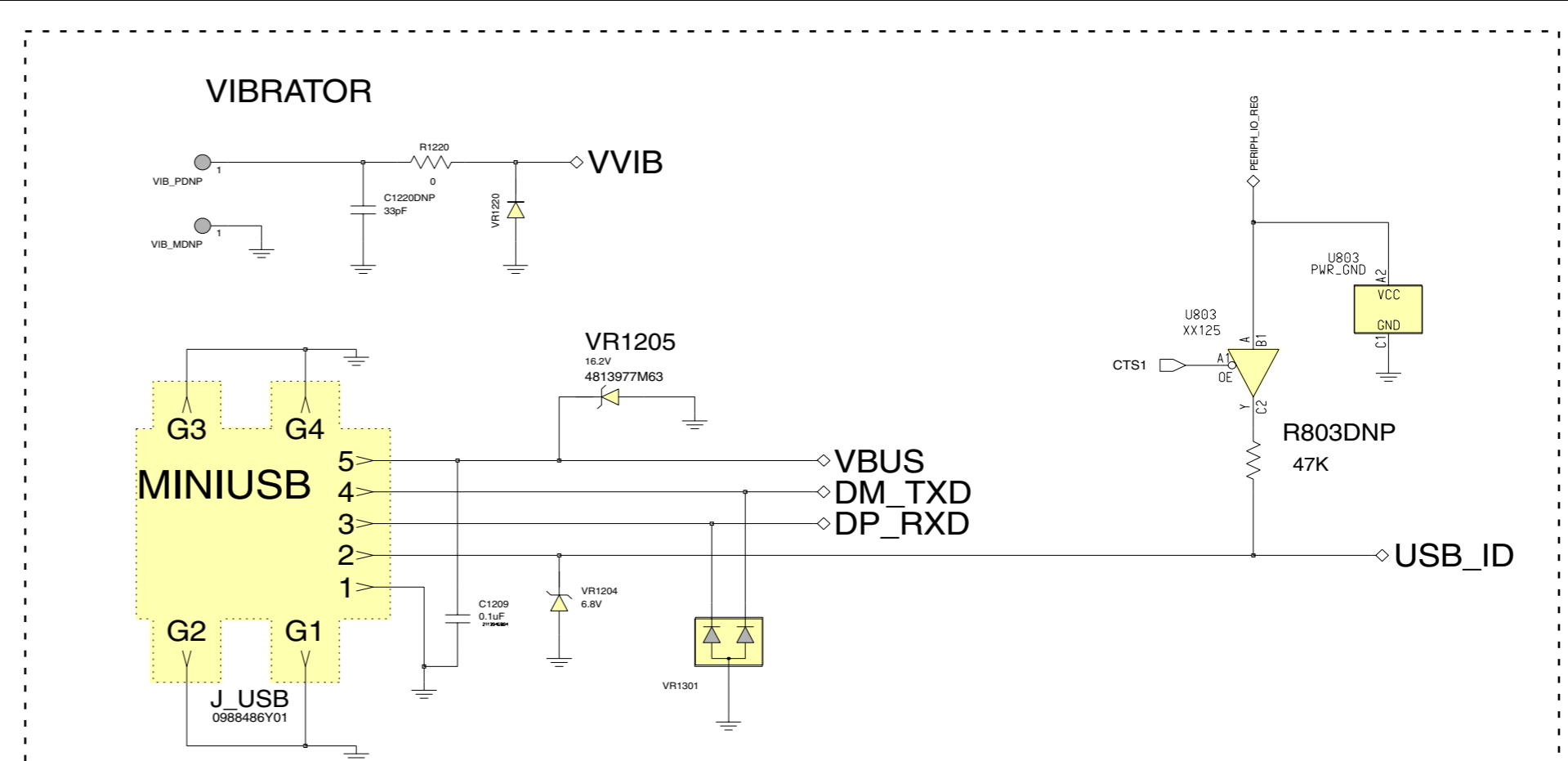
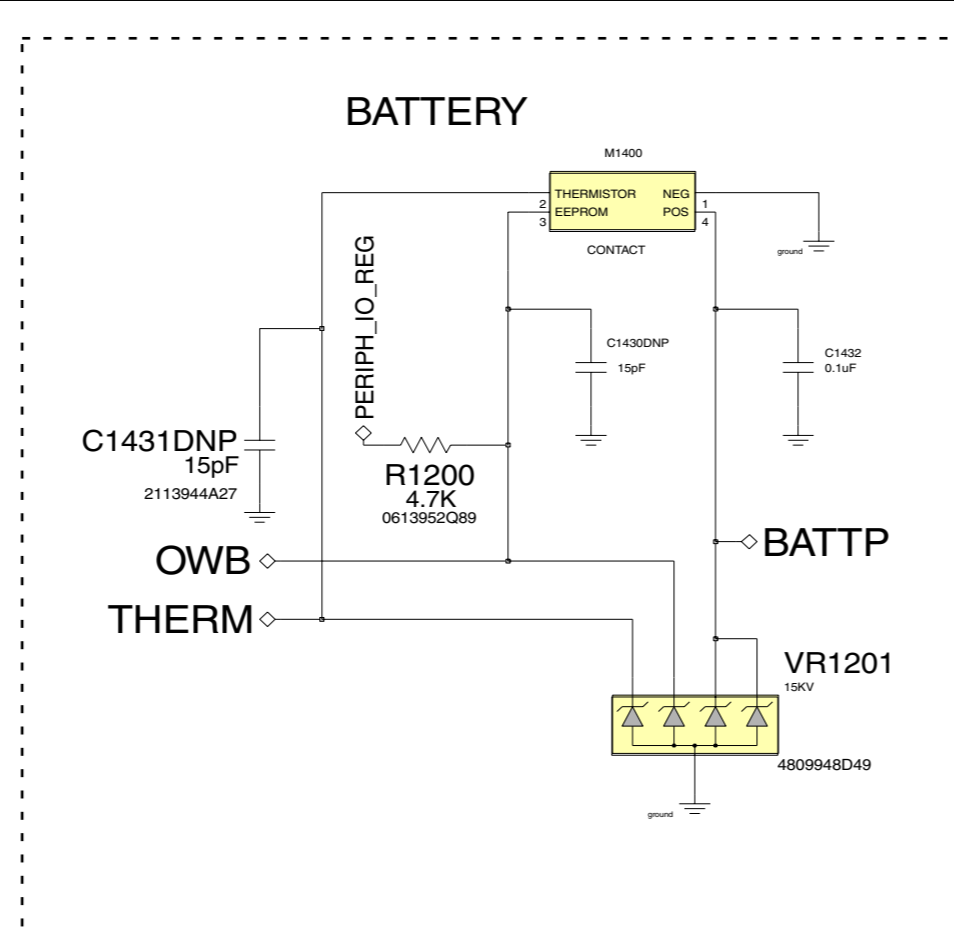
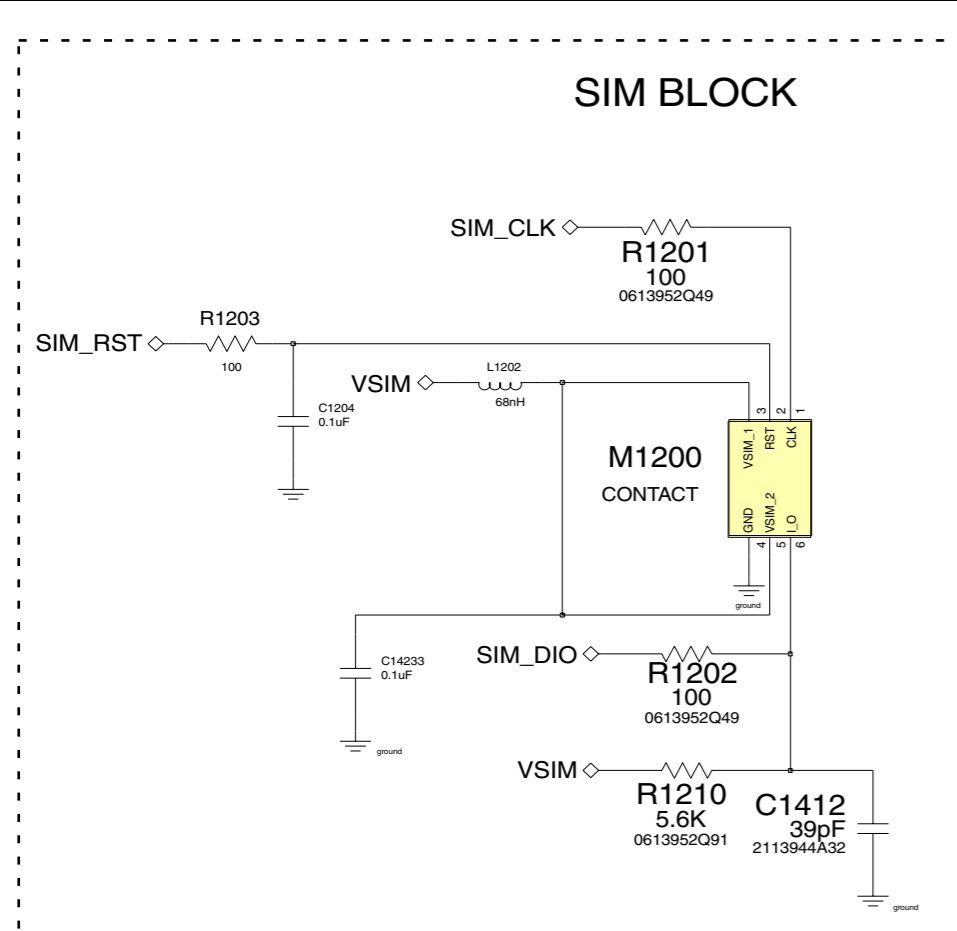
Service Engineering & Optimization Level 3 Authorized

Table with 2 columns: Date/Revision and Part Number/Author. Includes 2005.05.19, Rev. 1.0, 8488750Y04_P04C, and Alexander Buehler, Michael Hansen.

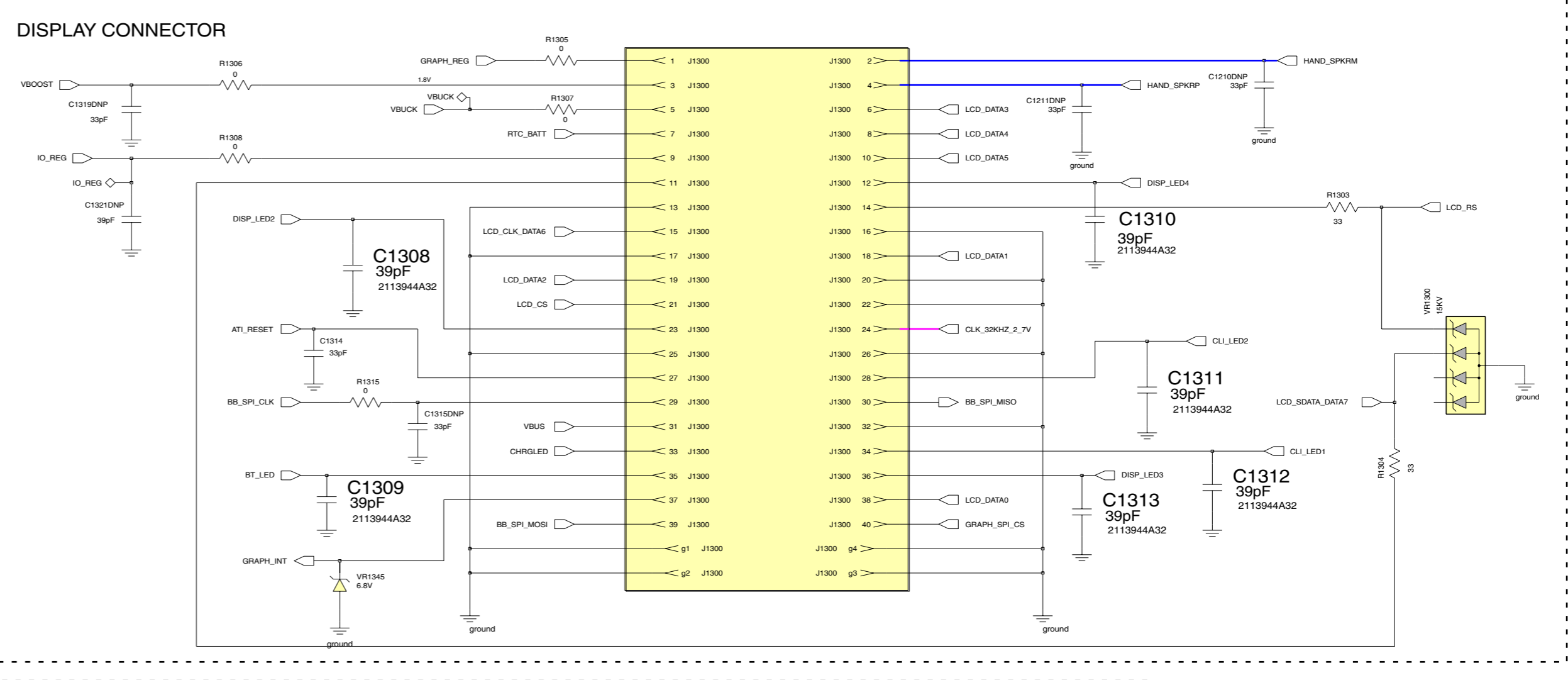
V6_8488750Y04_P04C



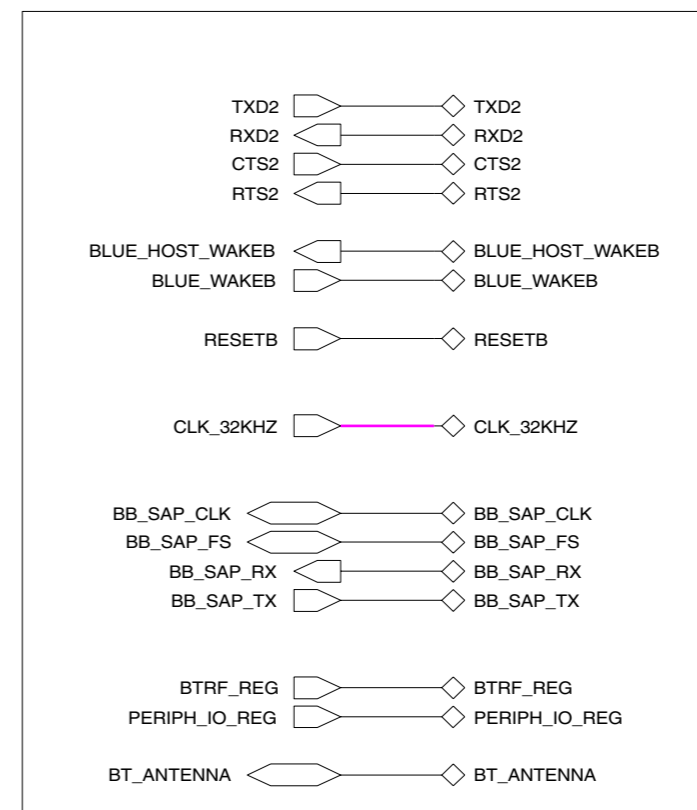
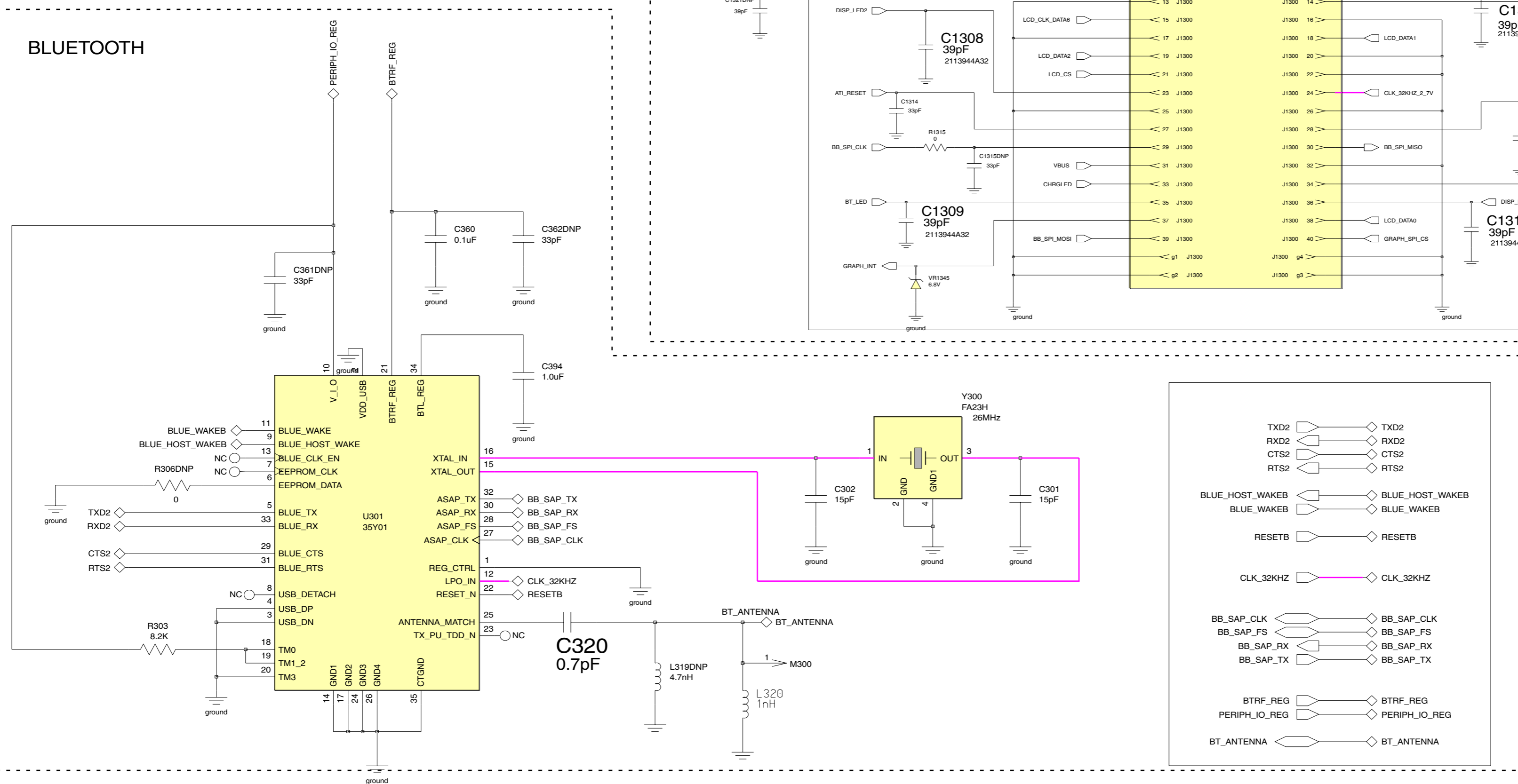
V6_8488750Y04_P04C



MOTOROLA CONFIDENTIAL PROPRIETARY



BLUETOOTH

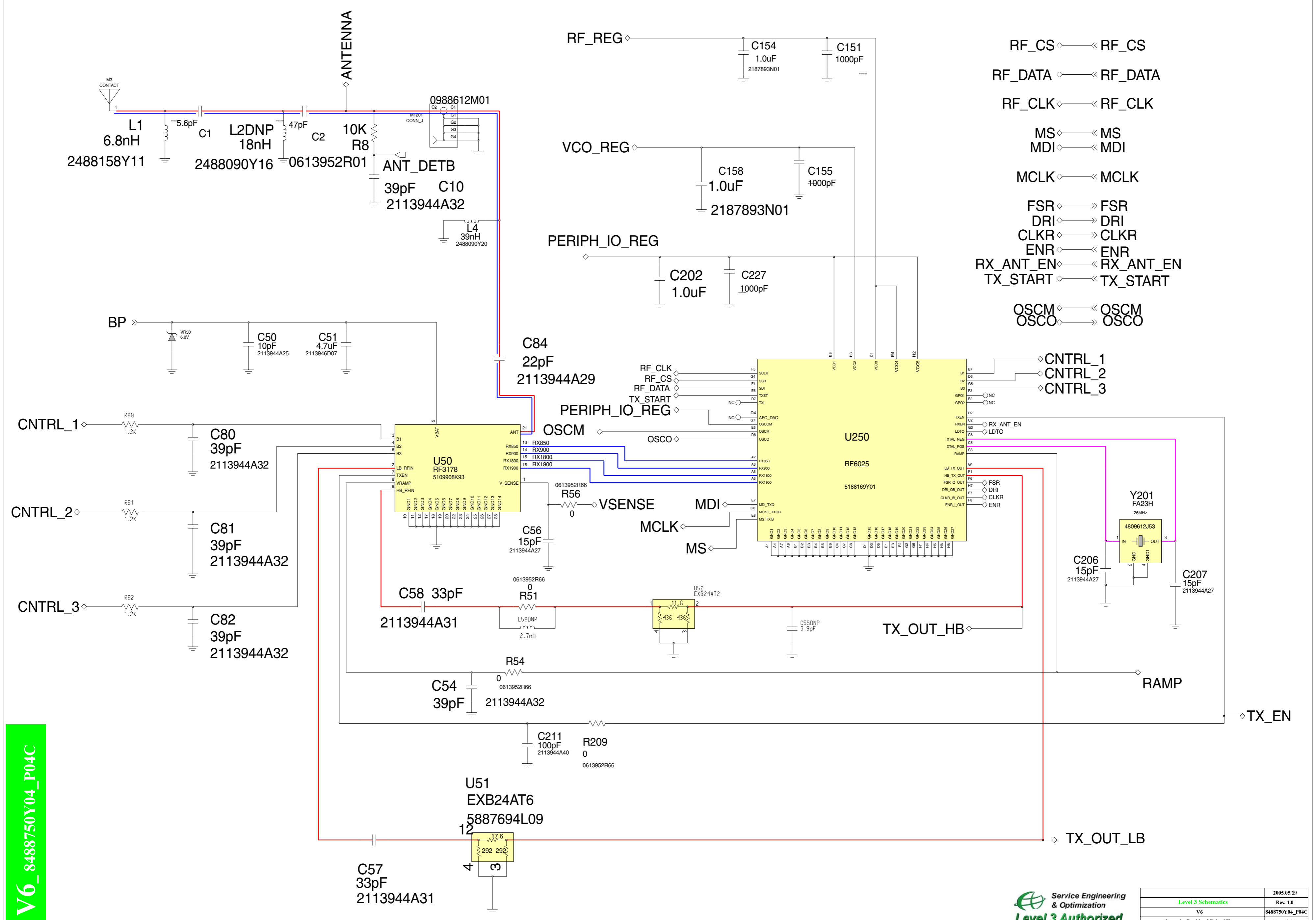


Service Engineering & Optimization
Level 3 Authorized

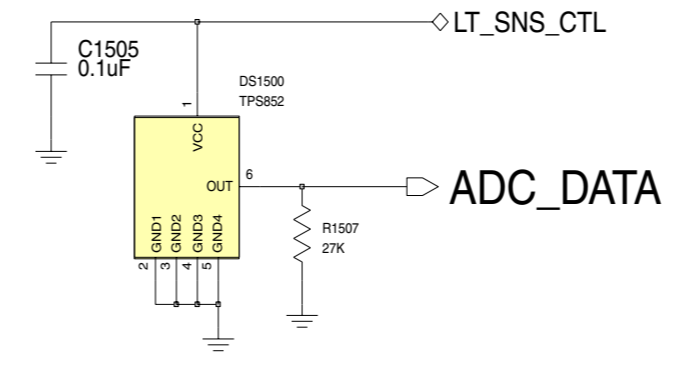
Level 3 Schematics	2005.05.19
V6	Rev. 1.0
Alexander Buehler, Michael Hansen	8488750Y04_P04C
	Page 3 of 5

V6_8488750Y04_P04C

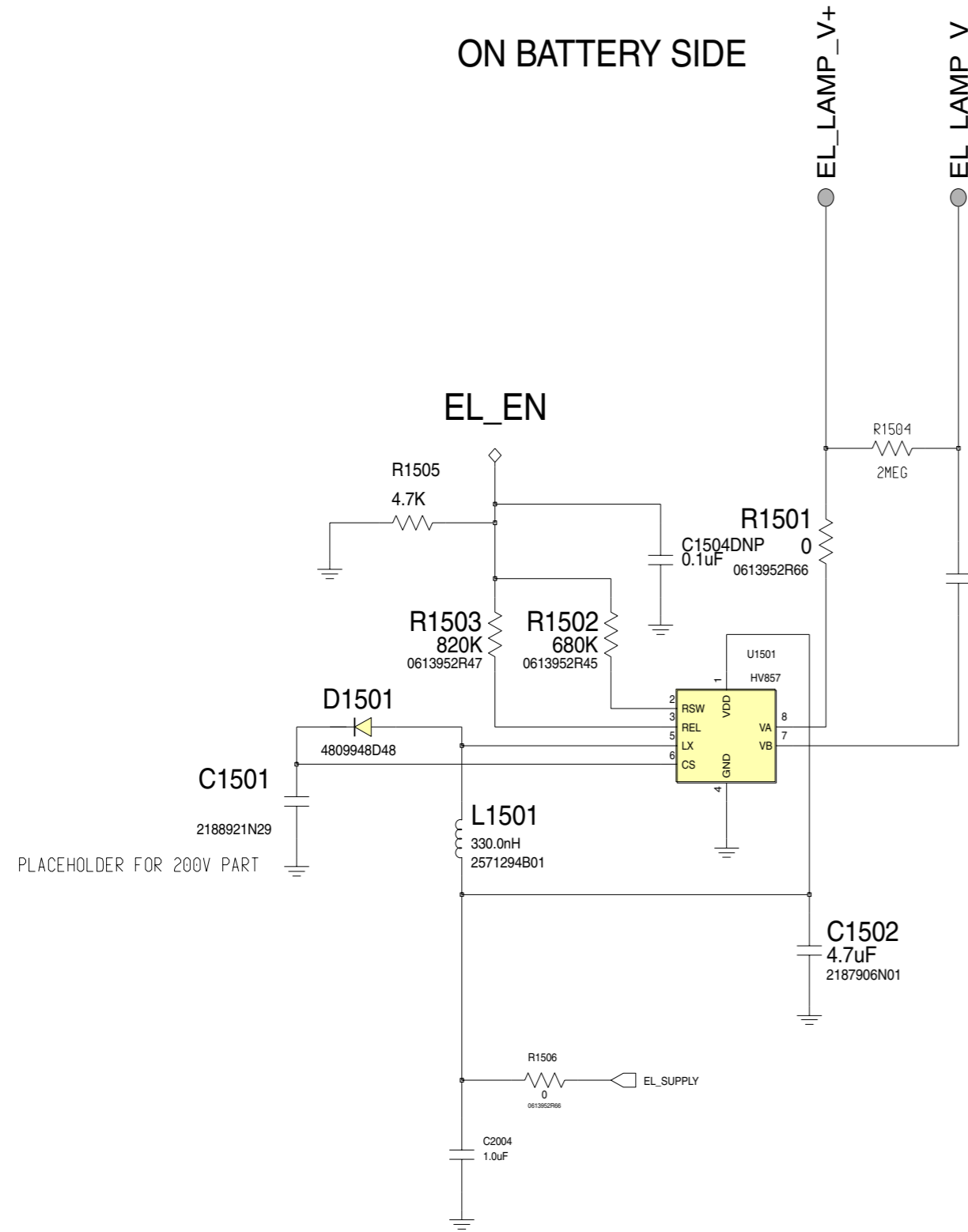
NEPTUNE INTERFACE



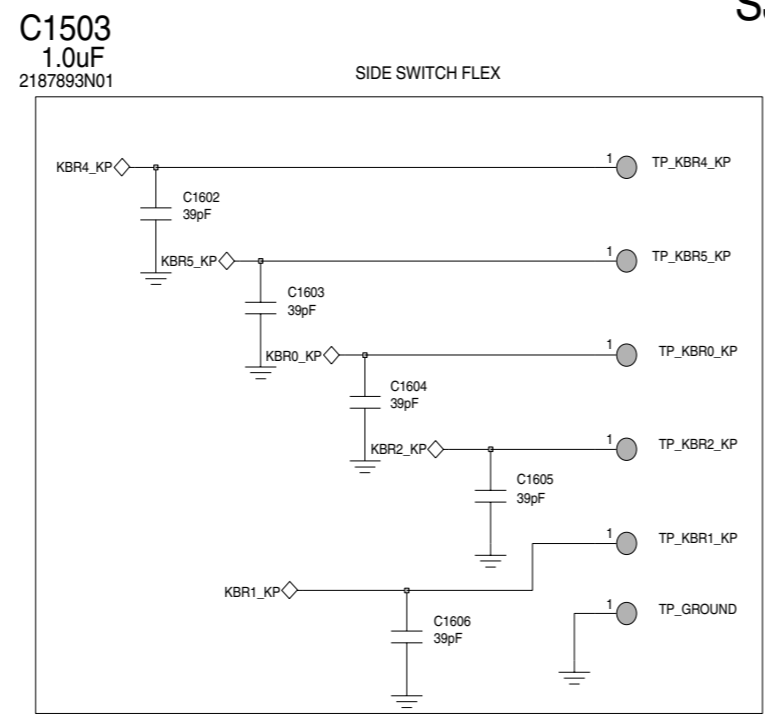
V6_8488750Y04_P04C



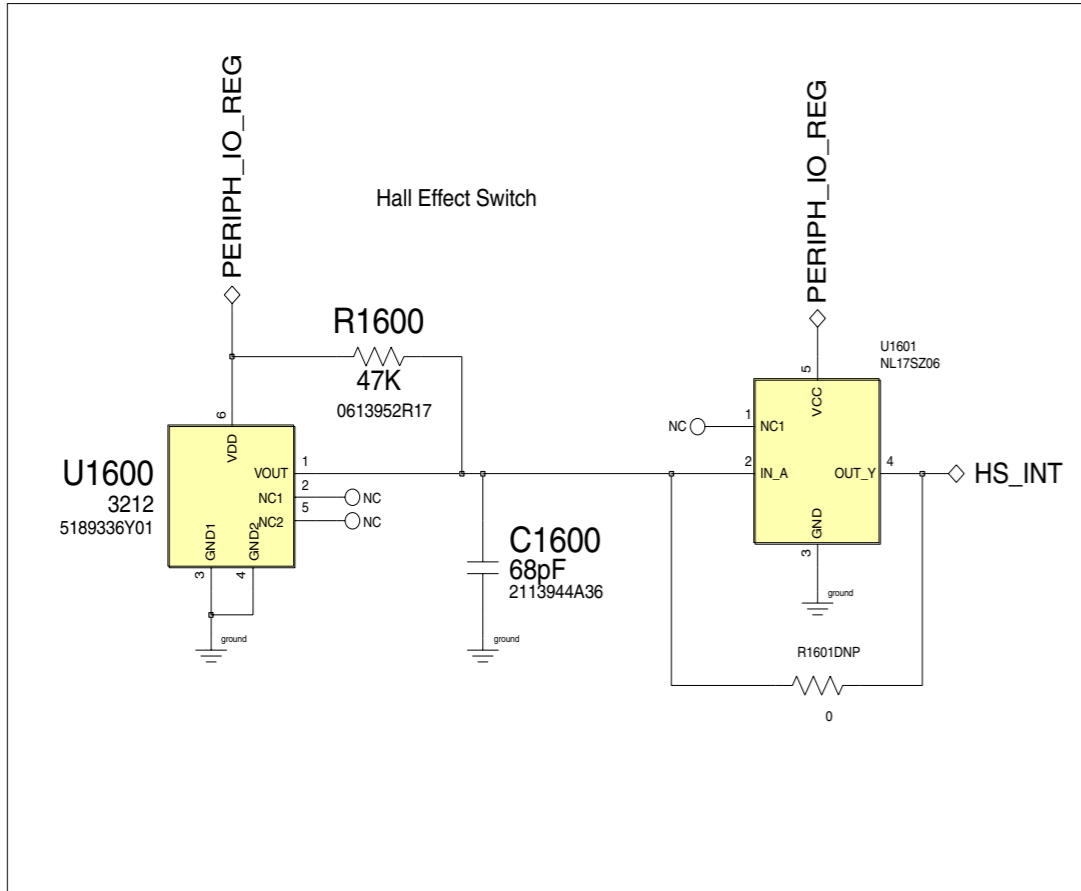
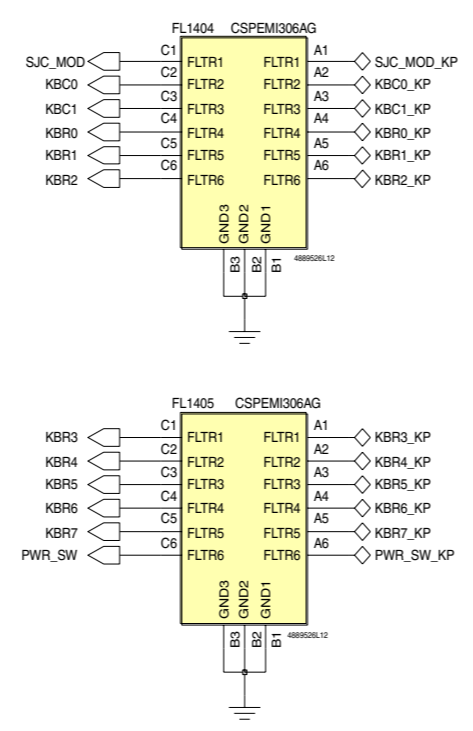
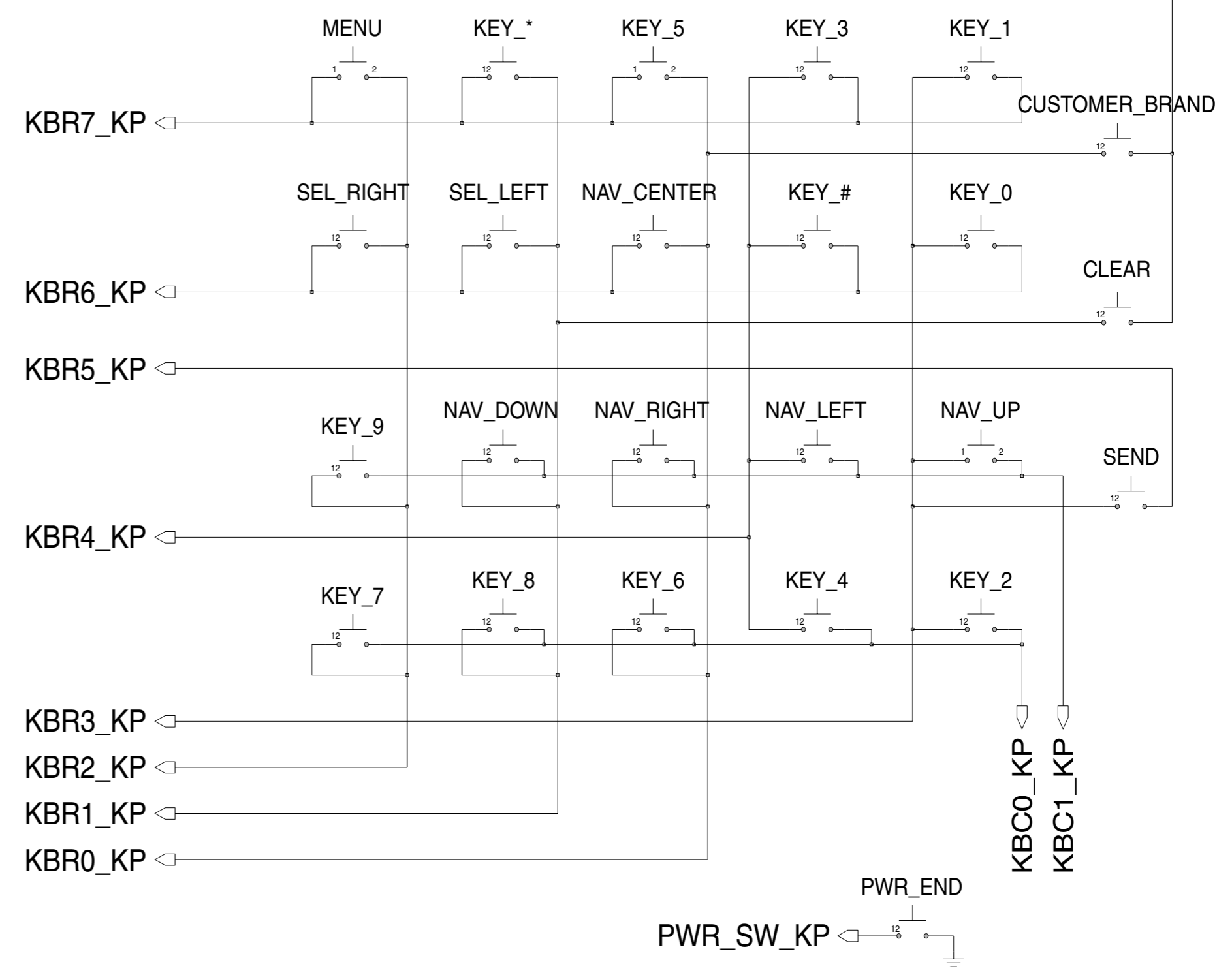
ON BATTERY SIDE



PLACE HOLDER FOR SMF110A



SJC_MOD_KP



V6_8488750Y04_P04C

ON BATTERY SIDE

