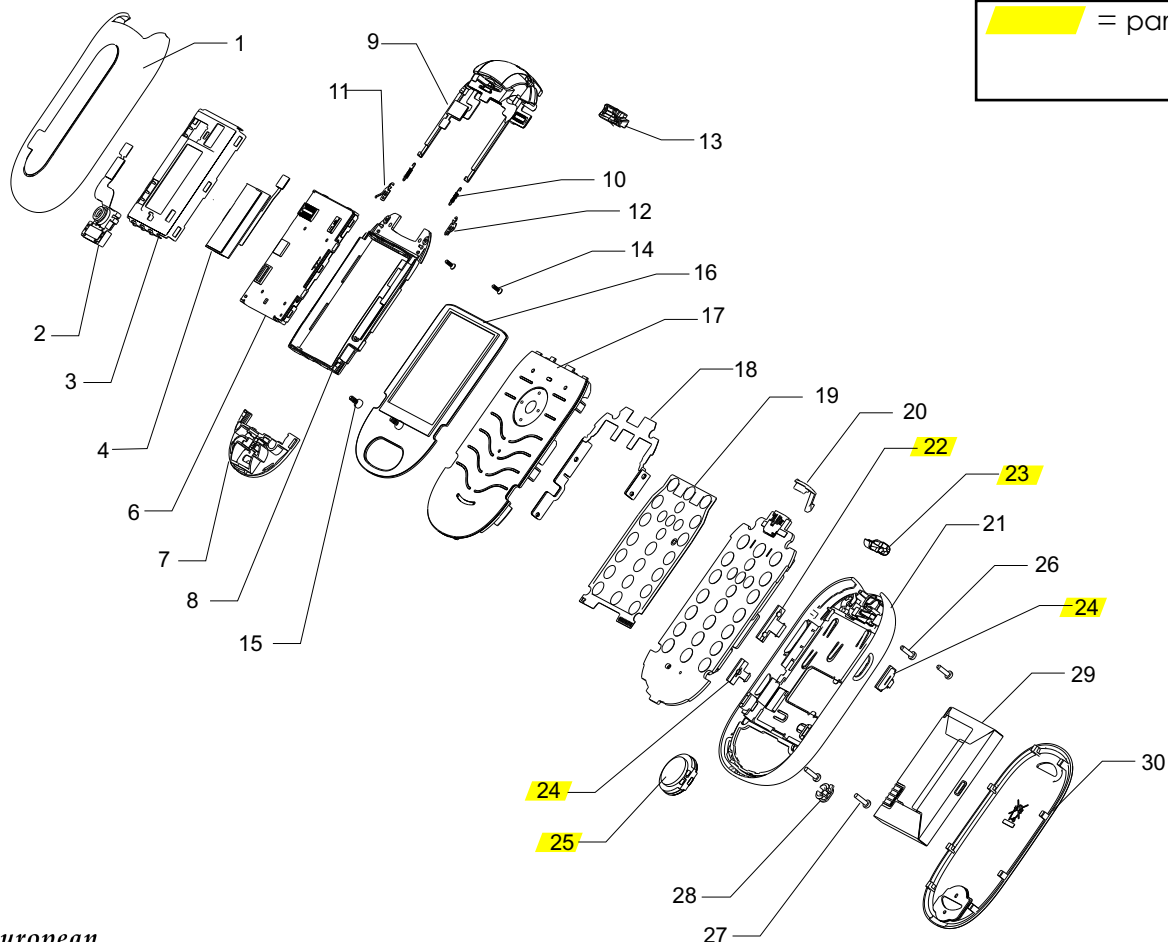


Item No.	Motorola Part No.	Description
-	0189223Y02	Flip Assy Licorice
-	0189223Y01	Flip Assy Fire Red
-	0189223Y10	Flip Assy Celery
-	0189223Y07	Flip Assy Pumpkin
-	0189223Y09	Flip Assy Bubble Gum
-	0189223Y06	Flip Assy Steel Teal
1	1589151Y02	Flip Cover Licorice
1	1589151Y01	Flip Cover Fire Red
1	1589151Y10	Flip Cover Celery
1	1589151Y07	Flip Cover Pumpkin
1	1589151Y09	Flip Cover Bubble Gum
1	1589151Y06	Flip Cover Steel Teal
1	1589151Y03	Flip Cover Star White
2	8489235Y01	Camera Flex Assy
3	0789134Y01	Bezel
4	7289133Y01	CLI Display
6	7289249Y01	Main Display Assy
7	2771099C01	Flip Housing Top
8	1588610Y01	Chassis Flip
-	4371310C01	Slider Bushing
-	4271524C01	Retainer, Spring
9	0189222Y01	Slide Hinge Assy
10	4189993Y01	Spring Extension
11	4189994Y01	Spring Contact Right
12	4189997Y01	Spring Contact Left
13	3289227Y01	Gasket Flex Assy
14	0389064Y02	Screw M1.2 x 2.87
15	0389065Y01	Screw M1.6 x 3.9
16	6188596Y02	Lens Main Display

Item No.	Motorola Part No.	Description
17	1571064C01	Keypad Assy English
17	1571064C03	Keypad Assy Cyrillic
17	3889768Y04	Keypad Assy Arabic
18	8488954Y01	Flex Side Button
19	4088961Y01	Mylar
20	0589068Y01	Grommet USB
21	0189123Y02	Rear Housing Assy Licorice
21	0189123Y01	Rear Housing Assy Fire Red
21	0189123Y13	Rear Housing Assy Celery
21	0189123Y10	Rear Housing Assy Pumpkin
21	0189123Y12	Rear Housing Assy Bubble Gum
21	0189123Y09	Rear Housing Assy Steel Teal
21	0189123Y03	Rear Housing Assy Star White
22	3889185Y01	Volume Button
23	5989188Y01	Vibrator
24	3888981Y01	Smart Button
25	5088017N04	Alert Speaker
26	0387790L13	Screw M1.6 x 4.2
27	0387791L04	Screw K1.5 x 6
28	2888980Y01	Grommet RF
29	SNN5696B	Battery
30	SHN9269A	Battery Door Licorice
30	SHN9268A	Battery Door Fire Red
30	SHN9606A	Battery Door Celery
30	SHN9605A	Battery Door Pumpkin
30	SHN9607A	Battery Door Bubble Gum
30	SHN9604A	Battery Door Steel Teal
30	SHN0276A	Battery Door Star White
-	3209003J04	Gasket Speaker



= part of assembly



REVISIONS	
	2006.10.19
Level 1-2 Parts List	
Version 1.5	
Product Name:	U6
Author:	Ralf Lorenzen-Scheil, Kai Nielsen
Page 1 of 2	

