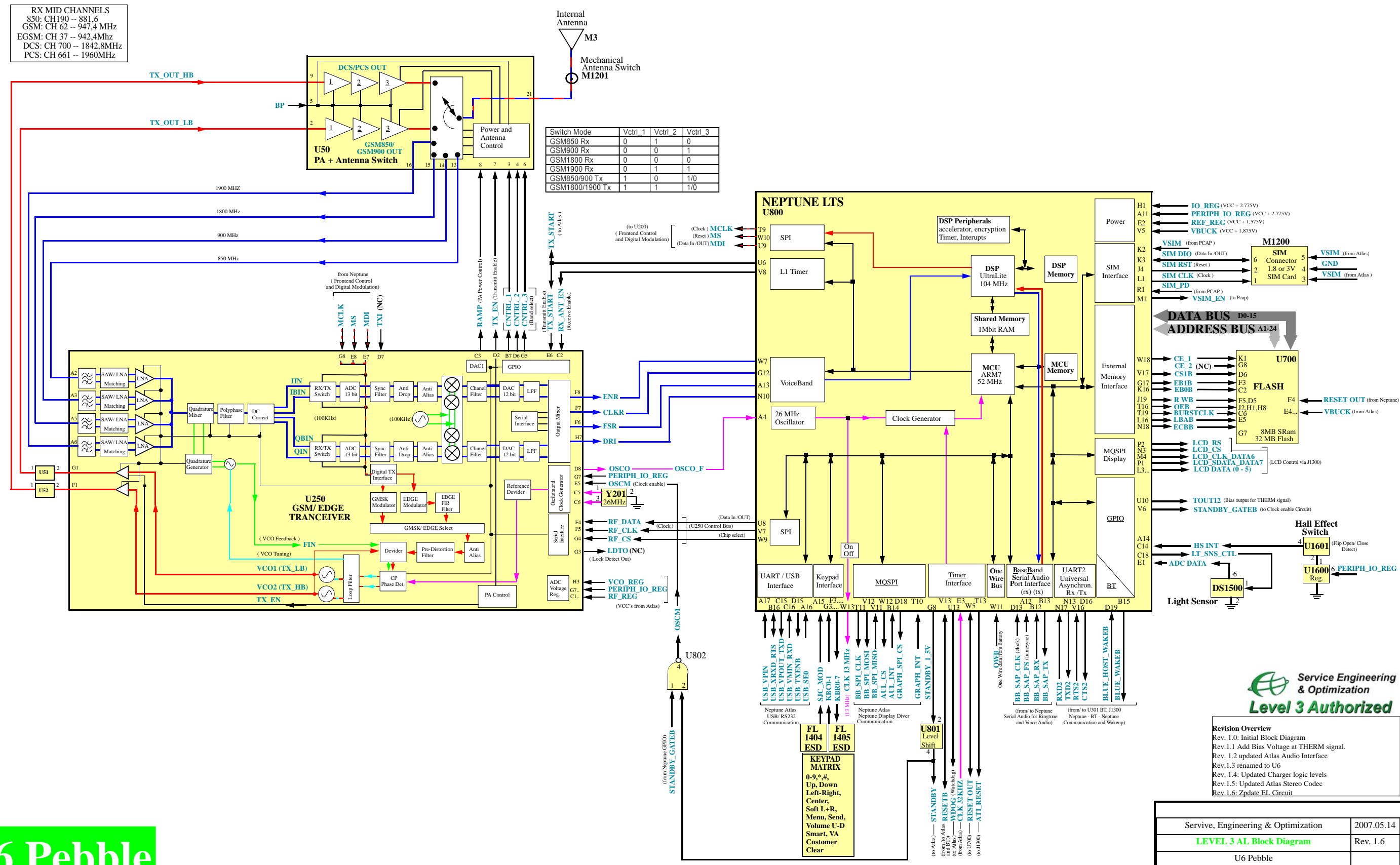


RX MID CHANNELS  
 850: CH190 -- 881.6  
 GSM: CH 62 -- 947.4MHz  
 EGSM: CH 37 -- 942.4MHz  
 DCS: CH 700 -- 1842.8MHz  
 PCS: CH 661 -- 1960MHz



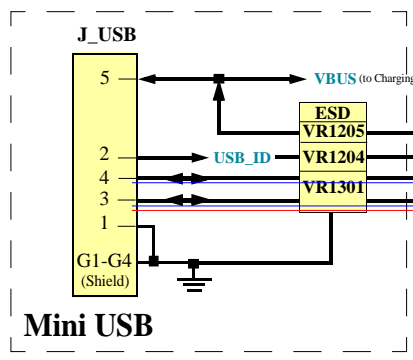
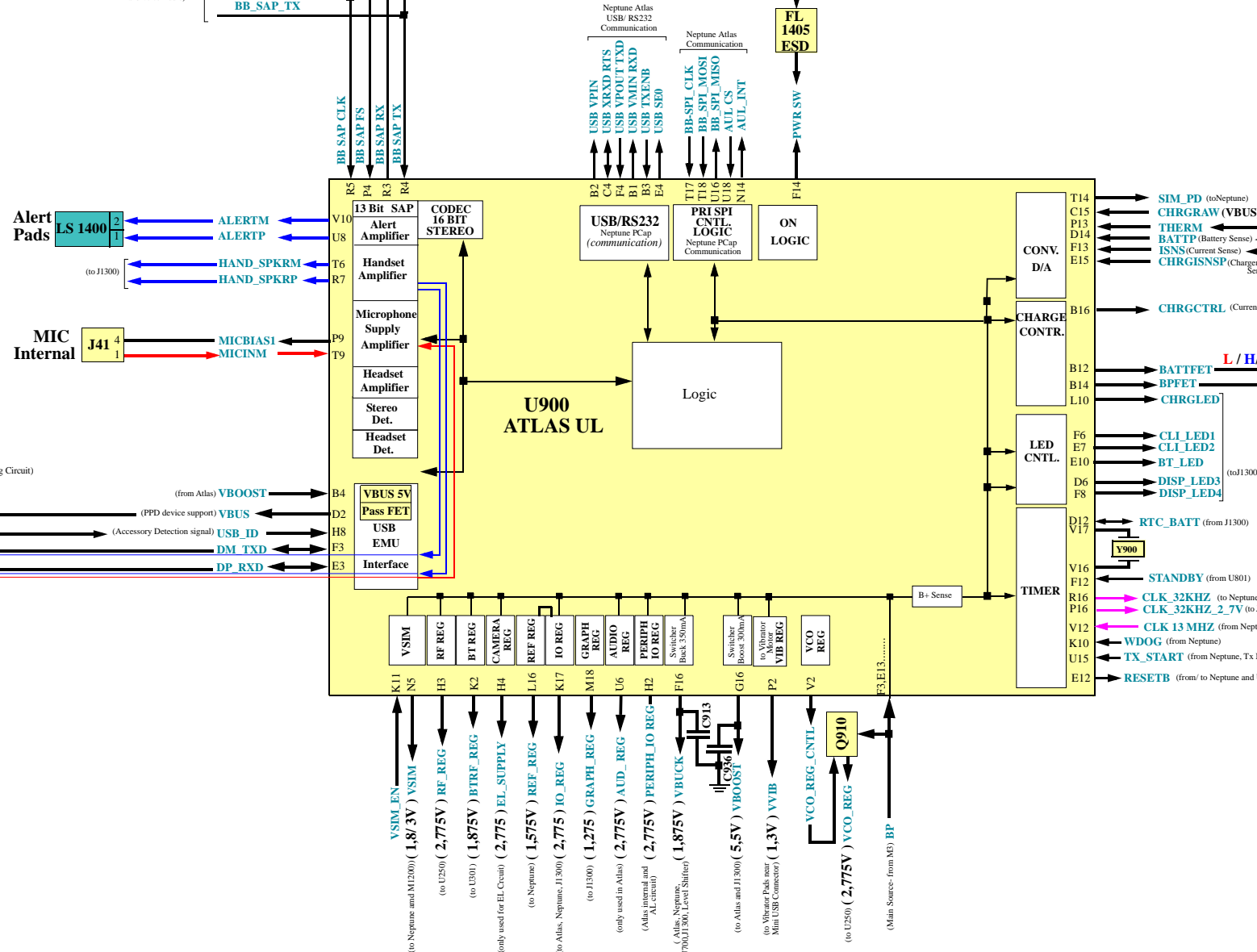
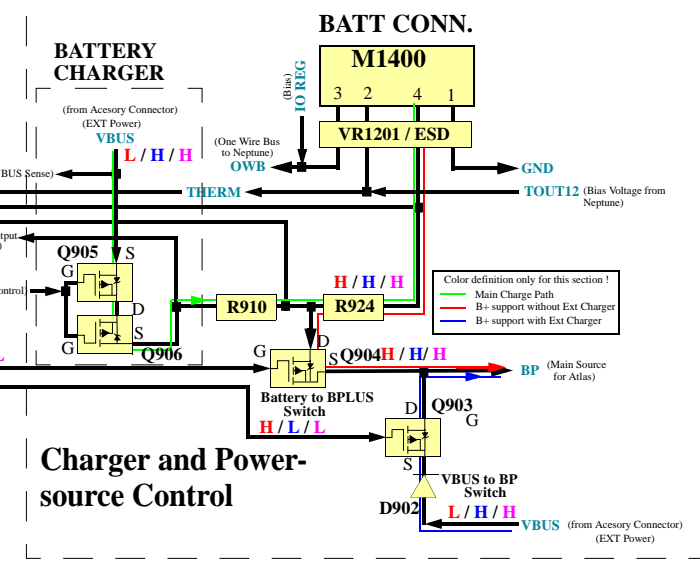
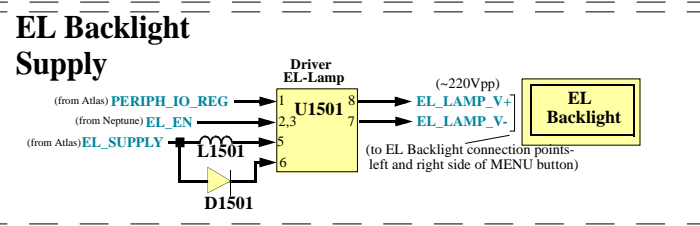
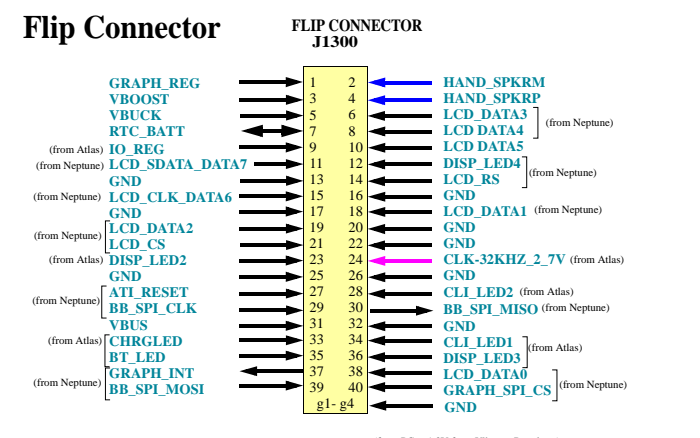
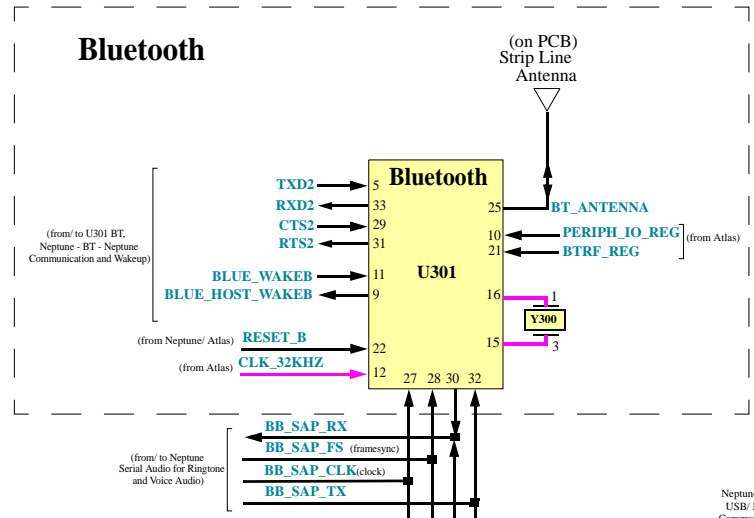
# U6 Pebble



**Revision Overview**  
 Rev. 1.0: Initial Block Diagram  
 Rev. 1.1 Add Bias Voltage at THERM signal.  
 Rev. 1.2 updated Atlas Audio Interface  
 Rev. 1.3 renamed to U6  
 Rev. 1.4: Updated Charger logic levels  
 Rev. 1.5: Updated Atlas Stereo Codec  
 Rev. 1.6: Zpdata EL Circuit

Service, Engineering & Optimization	2007.05.14
<b>LEVEL 3 AL Block Diagram</b>	Rev. 1.6
U6 Pebble	
Alexander Buehler, Michael Mauderer	Page 1 of 2

# U6 Pebble



Service Engineering & Optimization  
Level 3 Authorized

Servive, Engineering & Optimization	2007.05.14
LEVEL 3 AL Block Diagram	Rev. 1.6
U6 Pebble	
Alexander Buehler, Michael Mauderer	Page 2 of 2