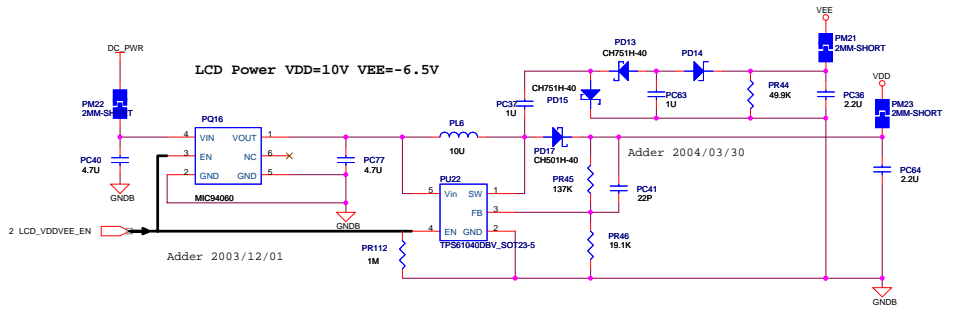
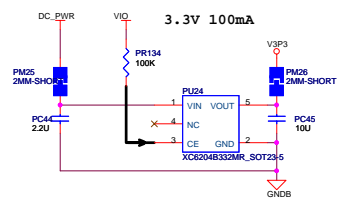
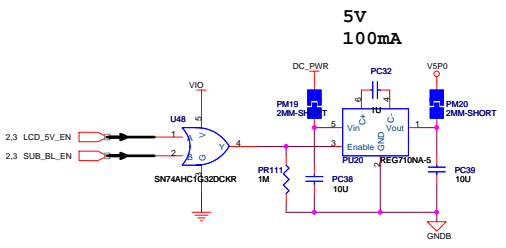
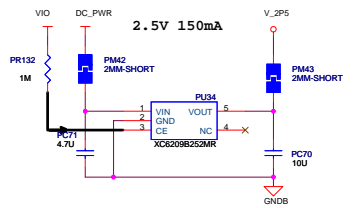




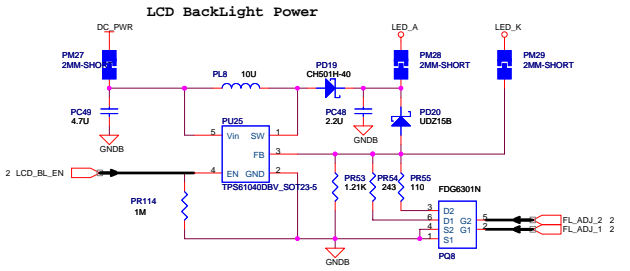
### CLI, Main Display voltage



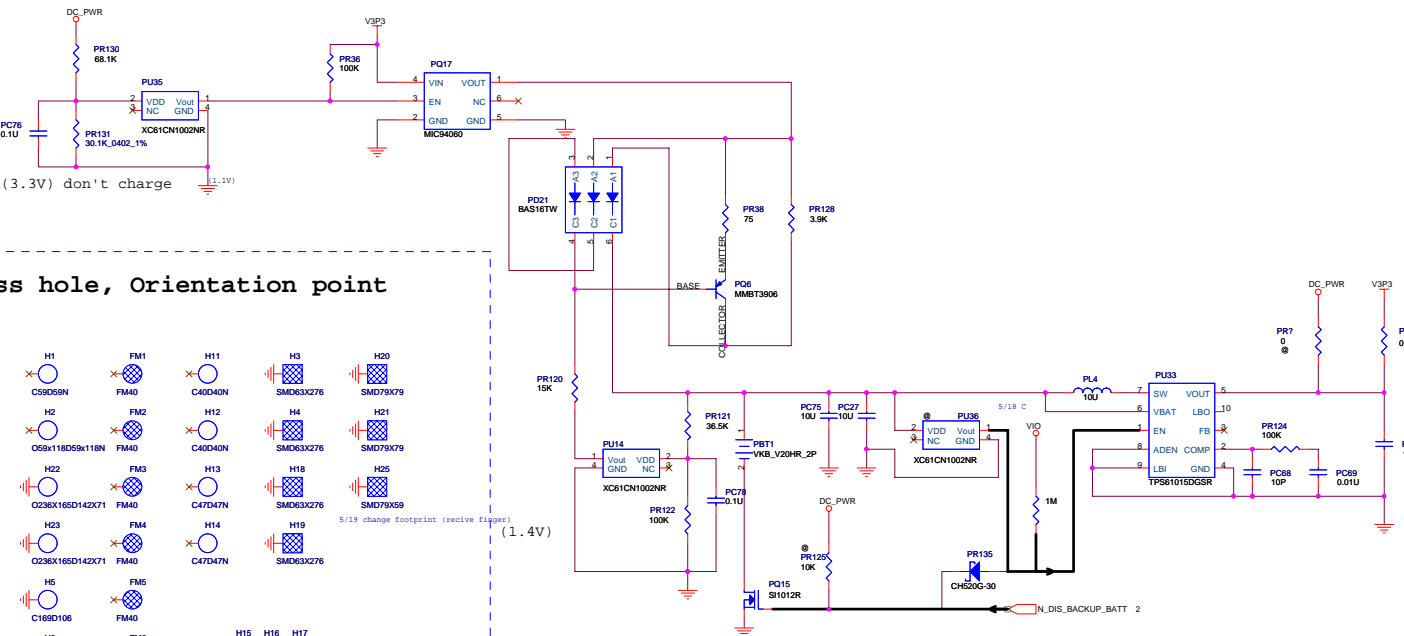
### Camera analog voltage



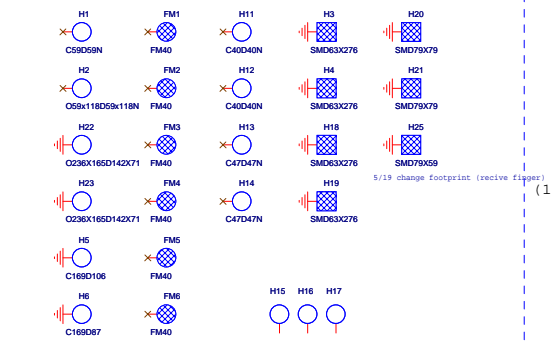
| LIGHT_EN | ADJ1 | ADJ2 | LIGHT STATE | CURRENT |
|----------|------|------|-------------|---------|
| 0        | 0    | 0    | OFF         | 0 mA    |
| 1        | 0    | 0    | 1/20        | 1 mA    |
| 1        | 1    | 0    | 1/3         | 6 mA    |
| 1        | 0    | 1    | 2/3         | 12 mA   |
| 1        | 1    | 1    | FULL        | 17 mA   |



### Backup battery function



### Boss hole, Orientation point



### EMI Filter

