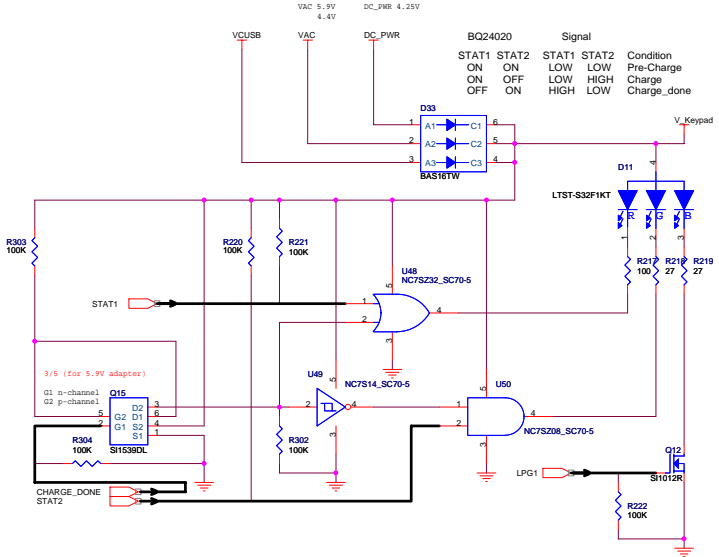
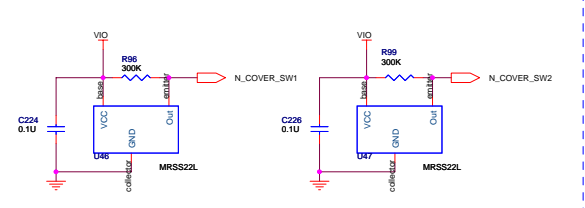


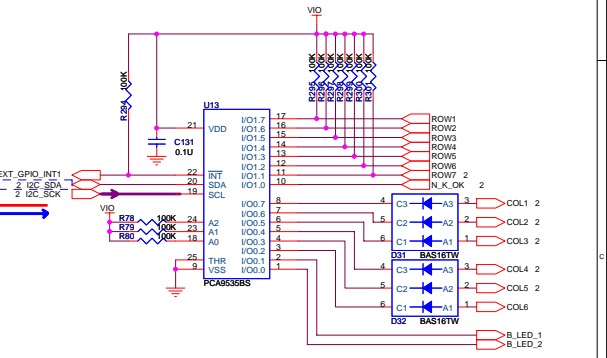
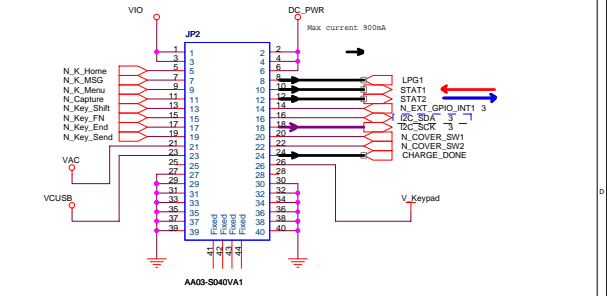
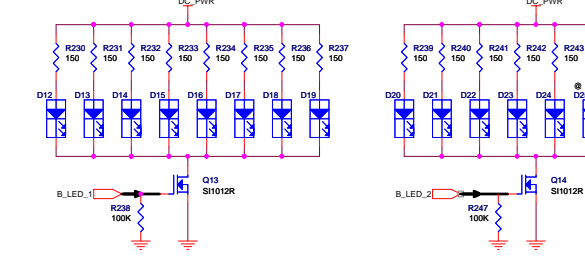
### Indicate LED



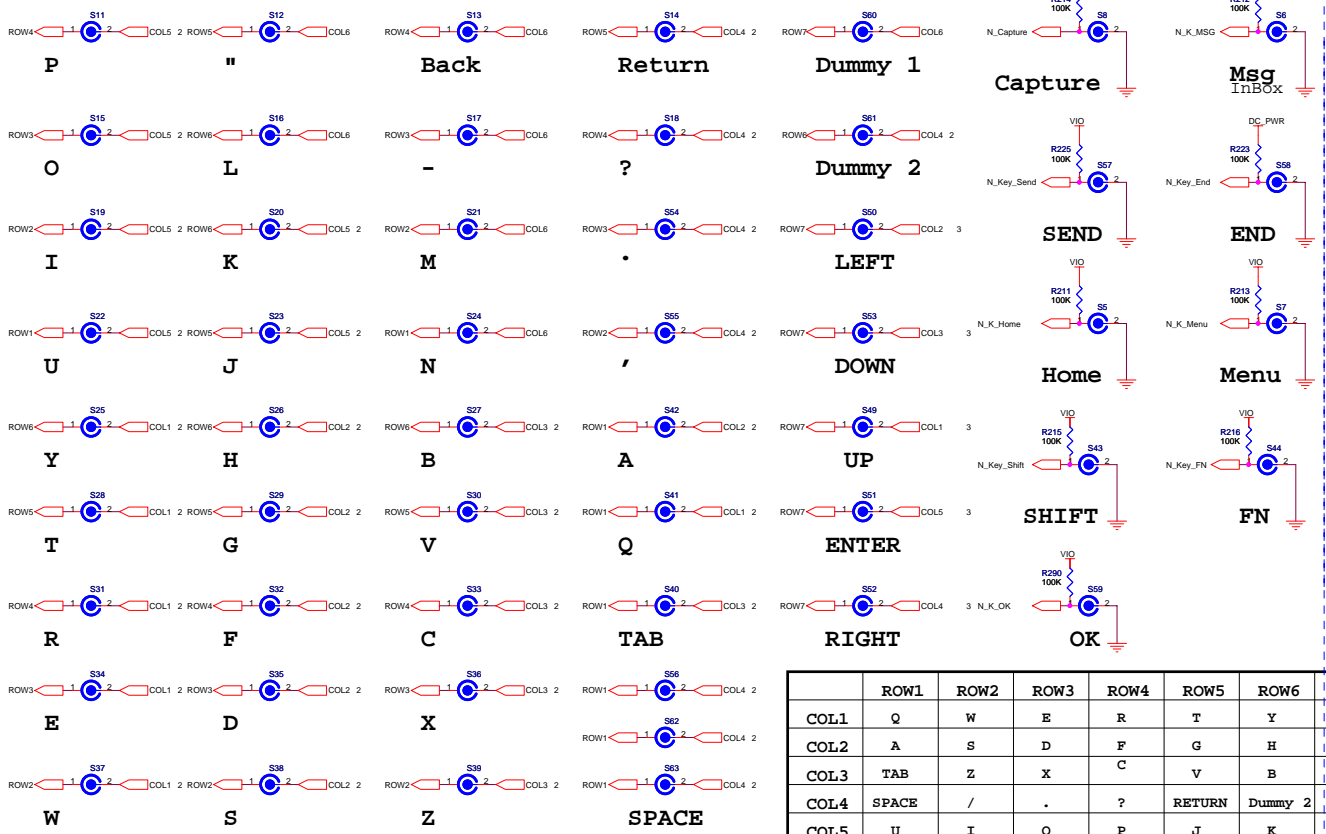
### Magent sensor



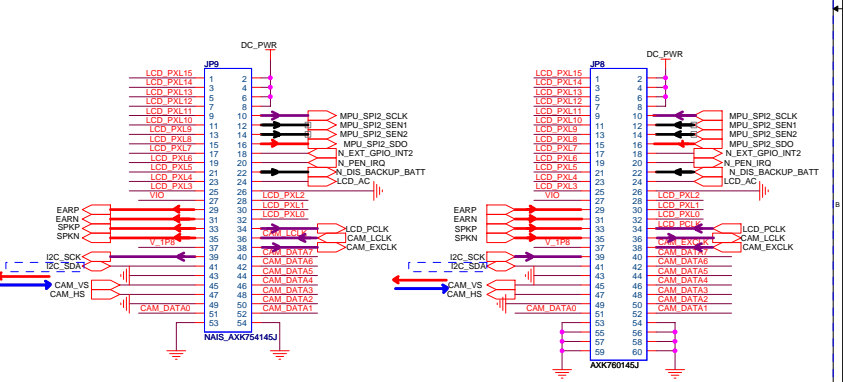
### Keypad LED



### Key array



### Hinge FPC



	ROW1	ROW2	ROW3	ROW4	ROW5	ROW6	ROW7
COL1	Q	W	E	R	T	Y	UP
COL2	A	S	D	F	G	H	Left
COL3	TAB	Z	X	C	V	B	Down
COL4	SPACE	/	.	?	RETURN	Dummy 2	Right
COL5	U	I	O	P	J	K	Enter
COL6	N	M	-	BACK	"	L	Dummy 1

### Main Board Side

