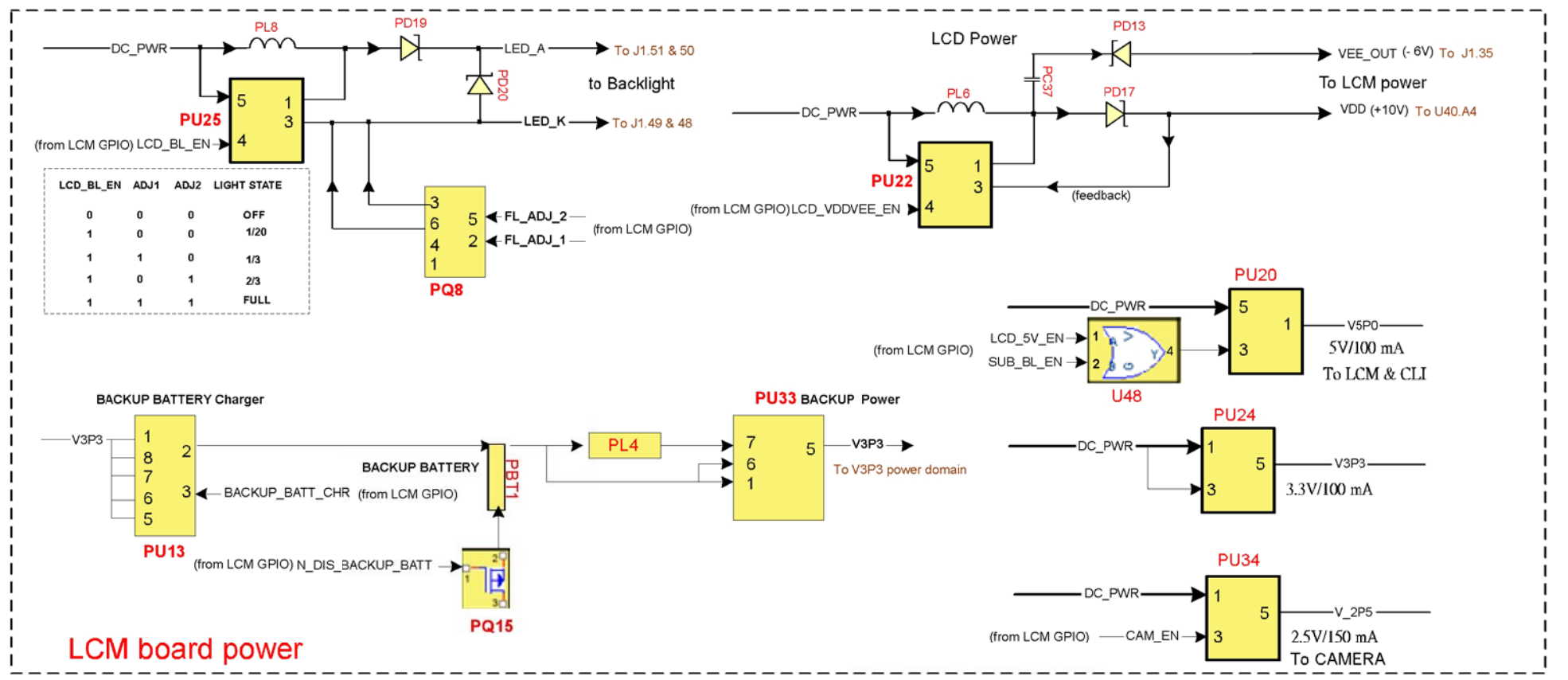
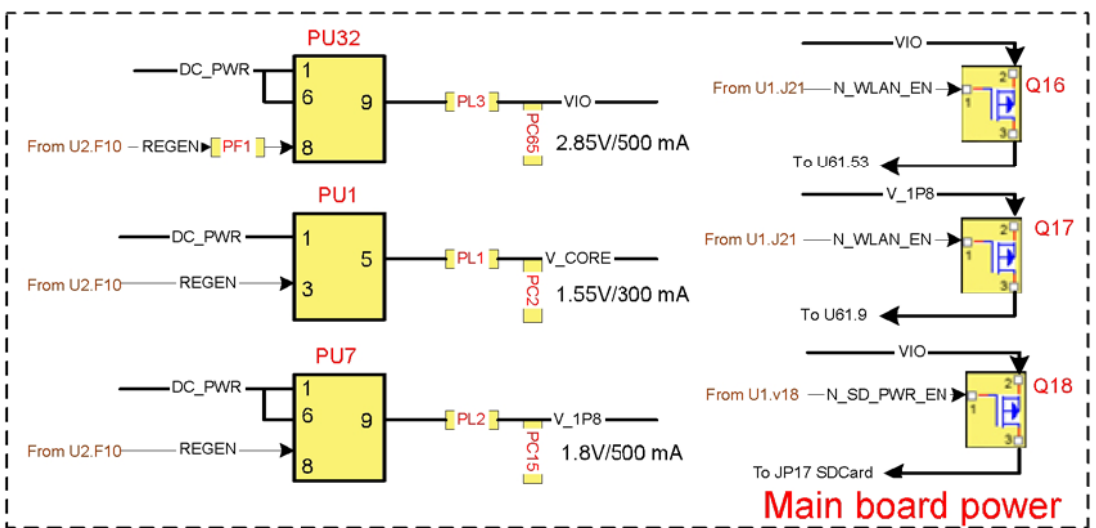
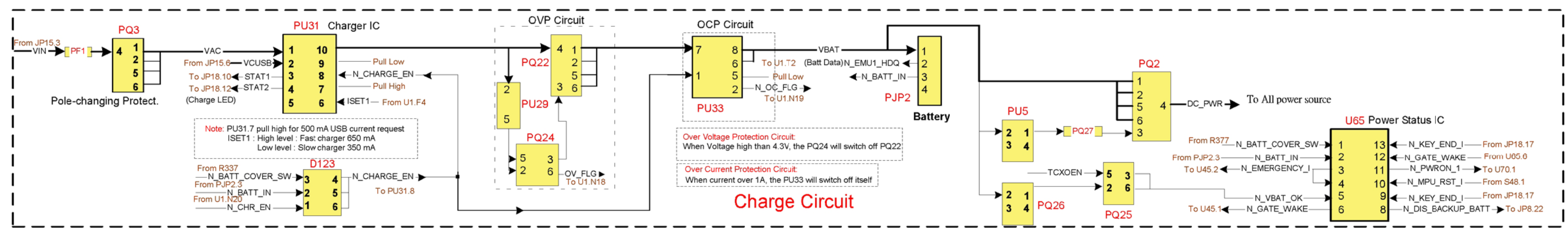


Service Engineering & Optimization
Level 3 Authorized

REVISIONS

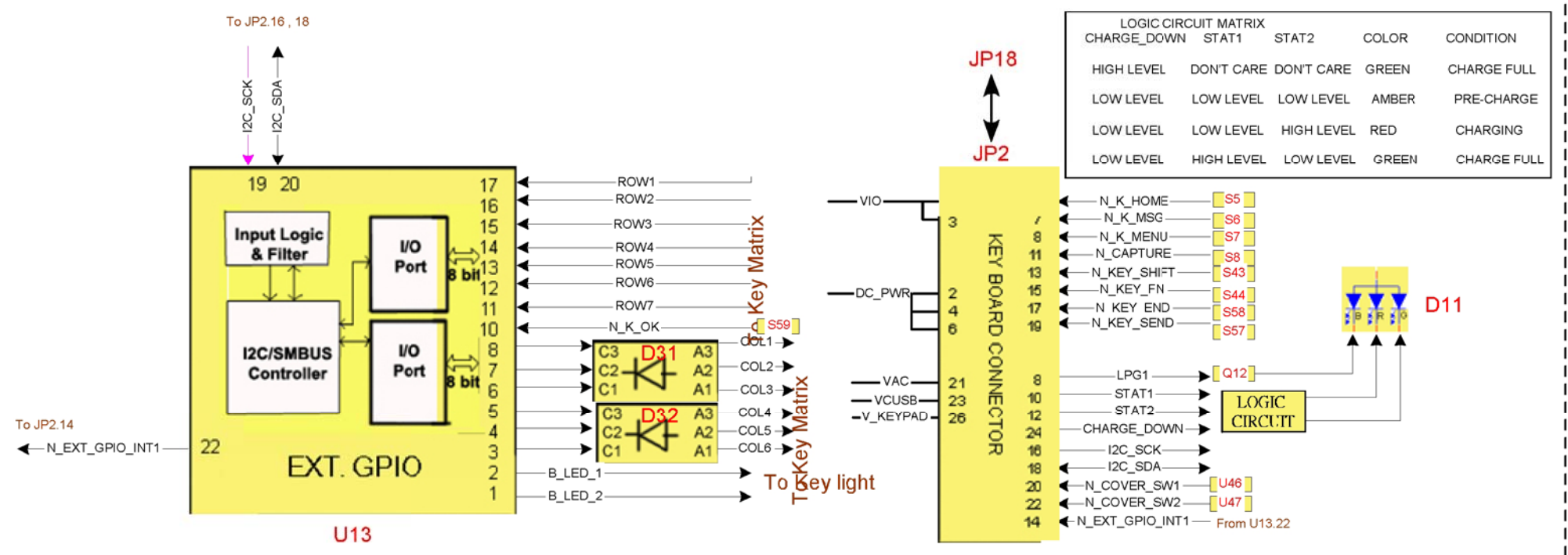
Service Engineering & Optimization	2005.01.20
Level 3 Block Diagram	Rev. 1.0
MPX	P11
Alexander Buhler, Mickael Mandrew	Page 1 of 3



KEY BOARD

Key Matrix Table

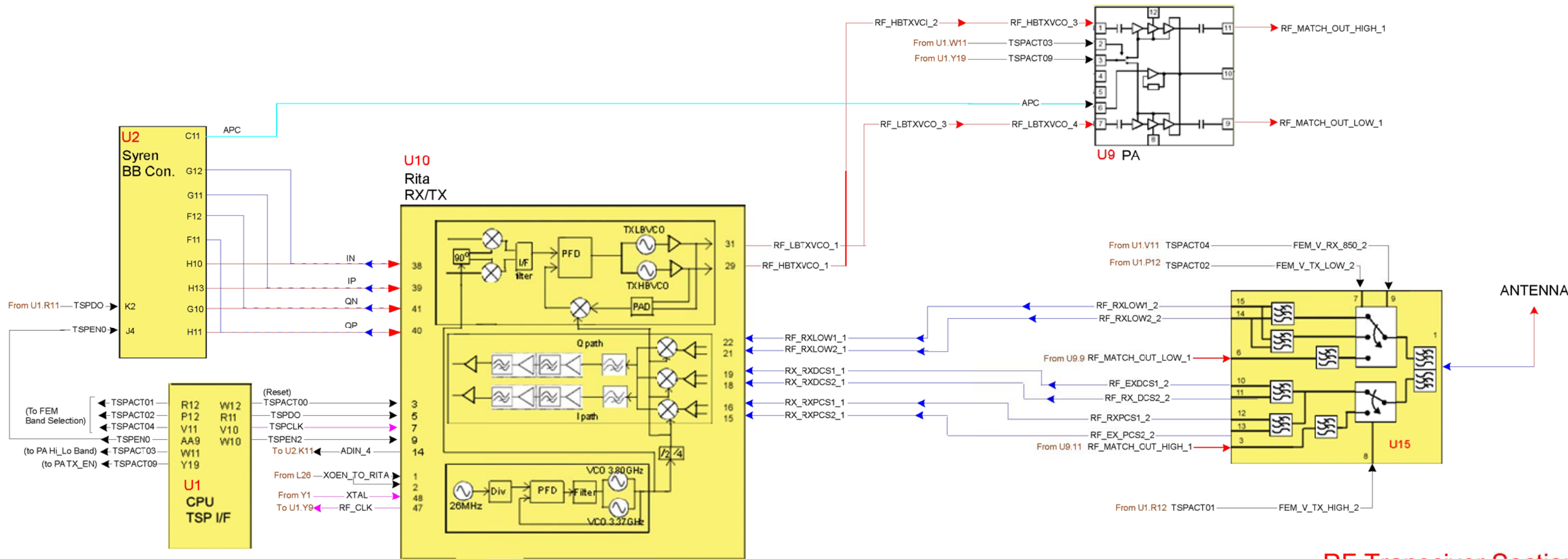
	ROW1	ROW2	ROW3	ROW4	ROW5	ROW6	ROW7
COL1	Q	W	E	R	T	Y	UP
COL2	A	S	D	F	G	H	LEFT
COL3	TAB	Z	X	C	V	B	DOWN
COL4	SPACE	/	.	?	RETURN	Dummy 2	RIGHT
COL5	U	I	O	P	J	K	ENTER
COL6	N	M	-	BACK	"	L	Dummy 1



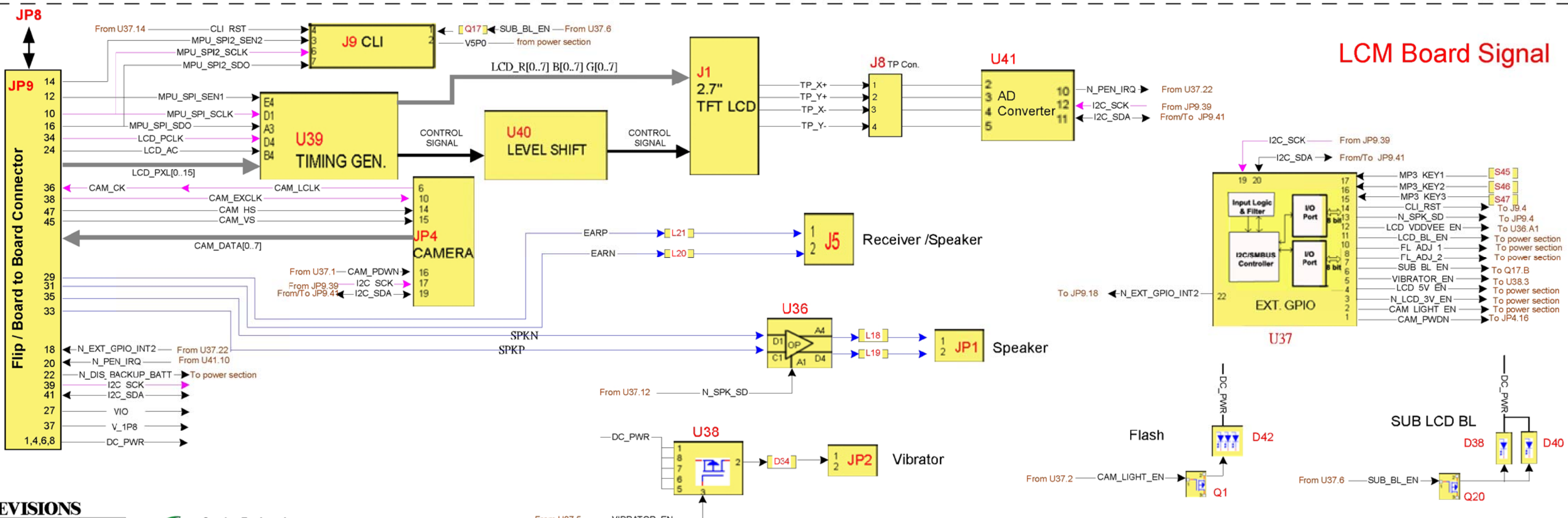
REVISIONS

Service Engineering & Optimization	2005.01.20
Level 3 Block Diagram	Rev. 1.0
MPX	P11
Alexander Boehler, Michael Mauderer	Page 2 of 3





RF Transceiver Section



REVISIONS

Service Engineering & Optimization	2005.01.20
Level 3 Block Diagram	Rev. 1.0
MPX	F11
Alexander Buehler, Michael Maederer	Page 3 of 3

