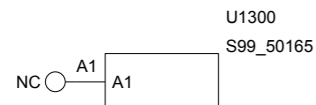


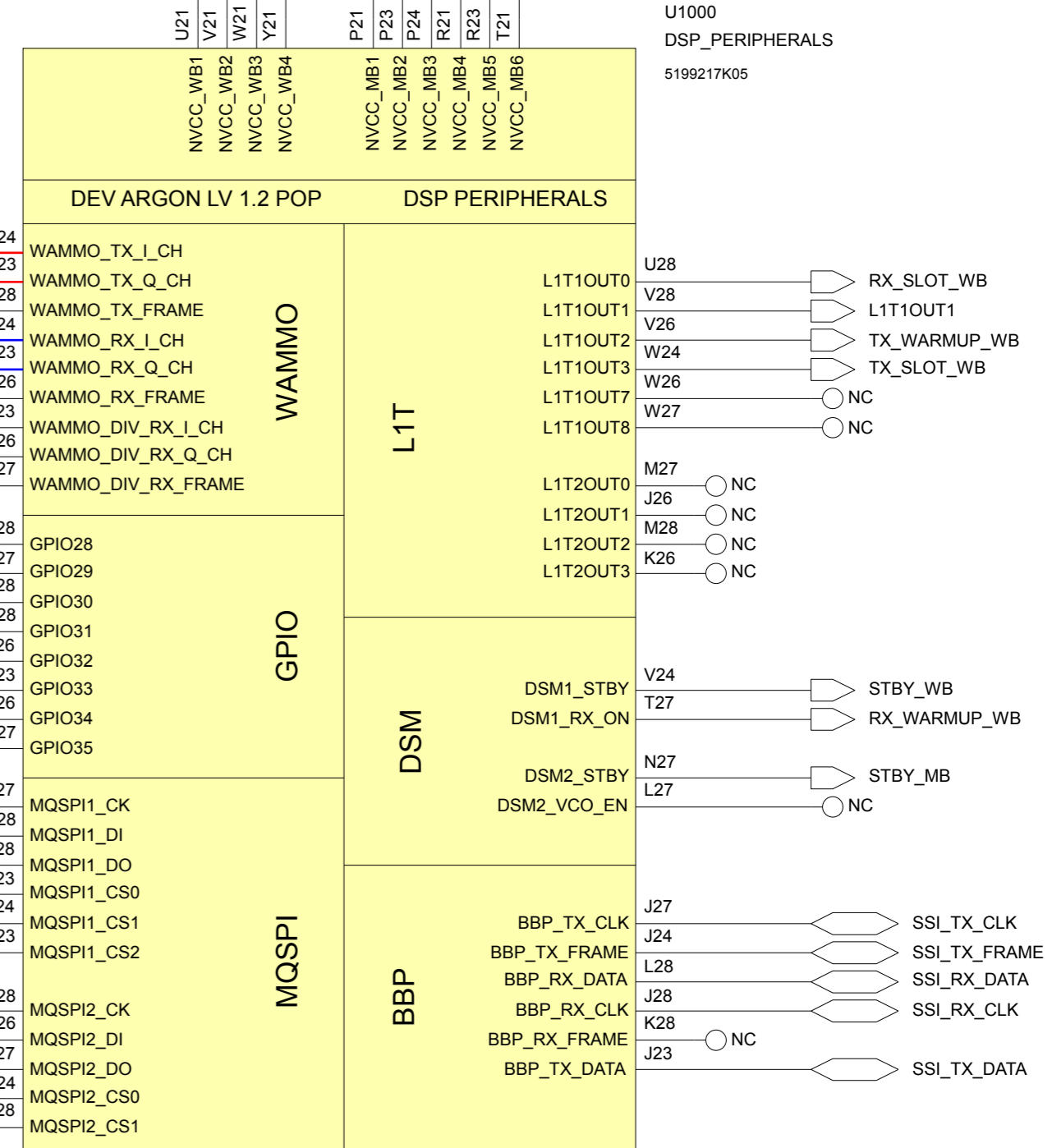
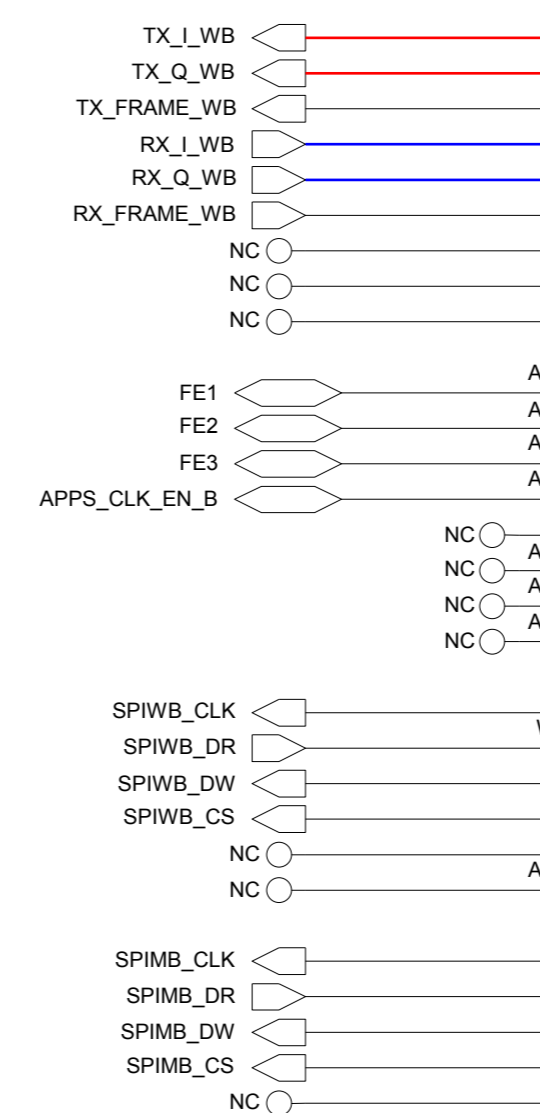
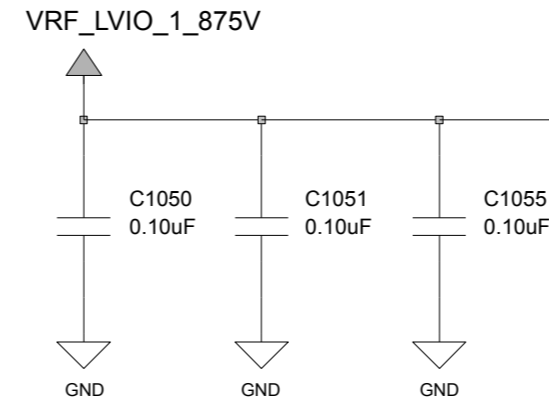
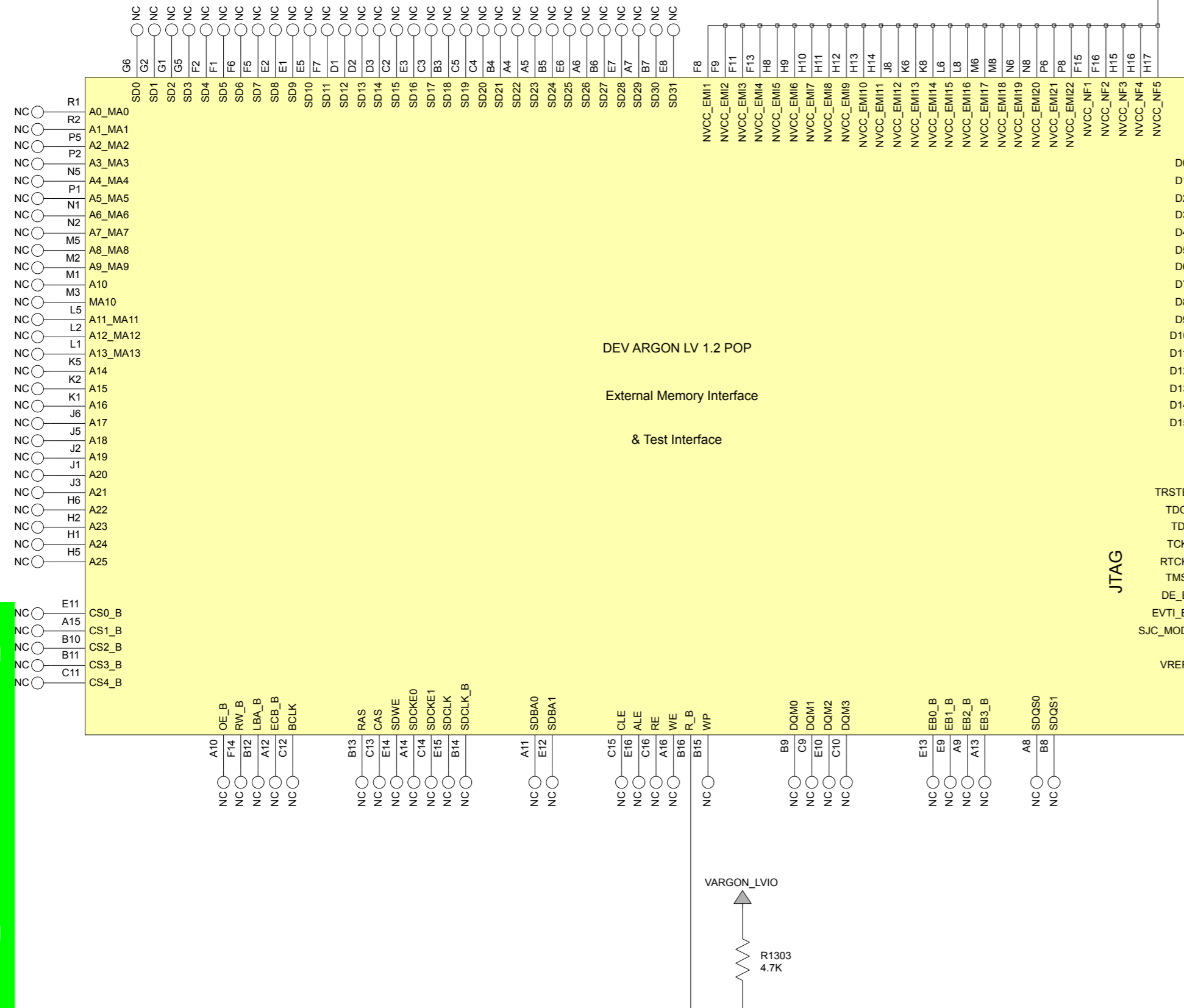
K3_K3m 8403638E07_0

Argon Memory

Argon DSP

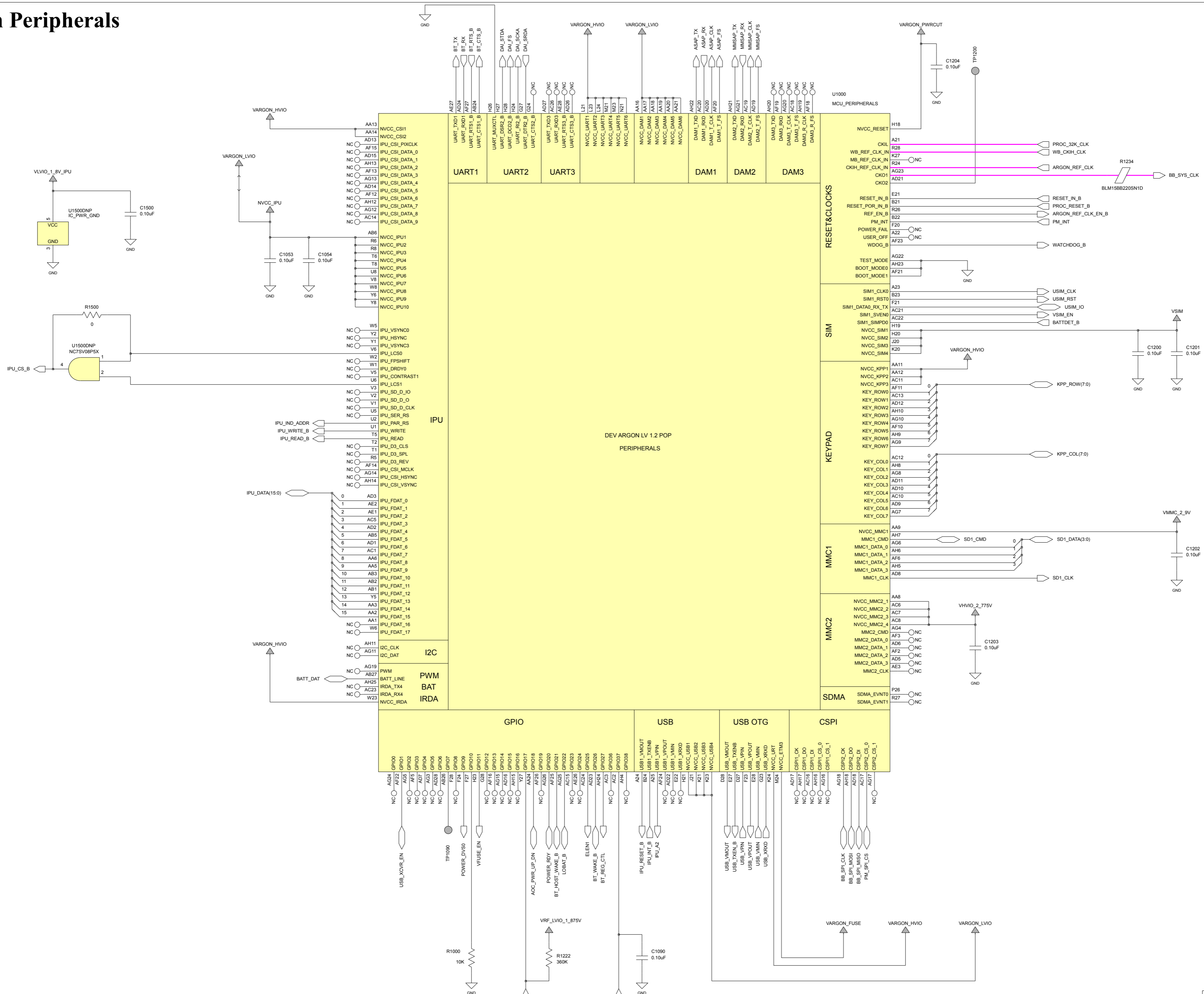


5199213K02 - THIS SYMBOL REPRESENTS THE SPANSION MCP MEMORY (2x32 / 64 / 64)

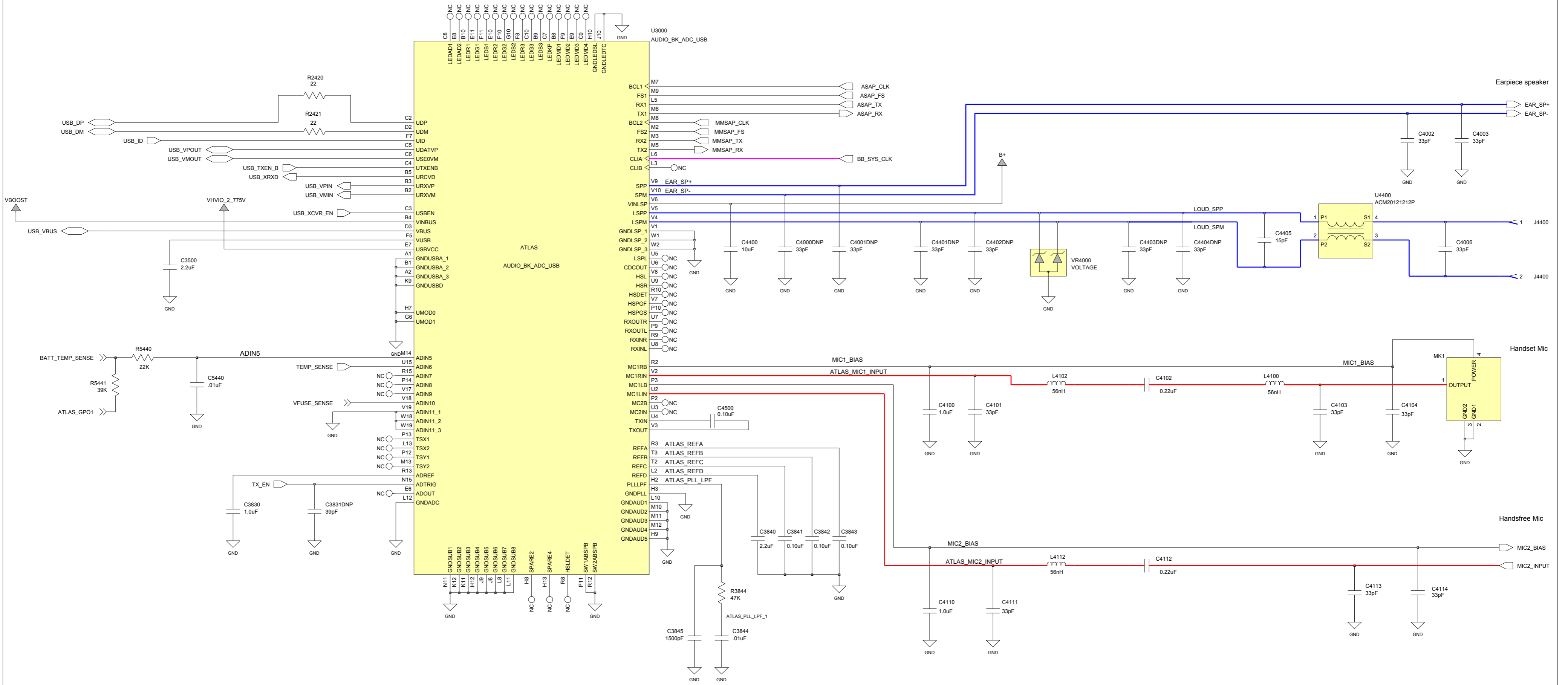


K3_K3m 8403638E07_0

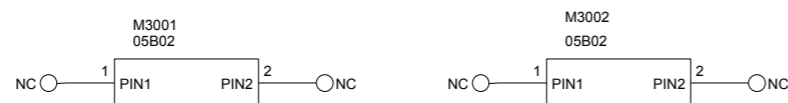
Argon Peripherals



K3_K3m 8403638E07_0

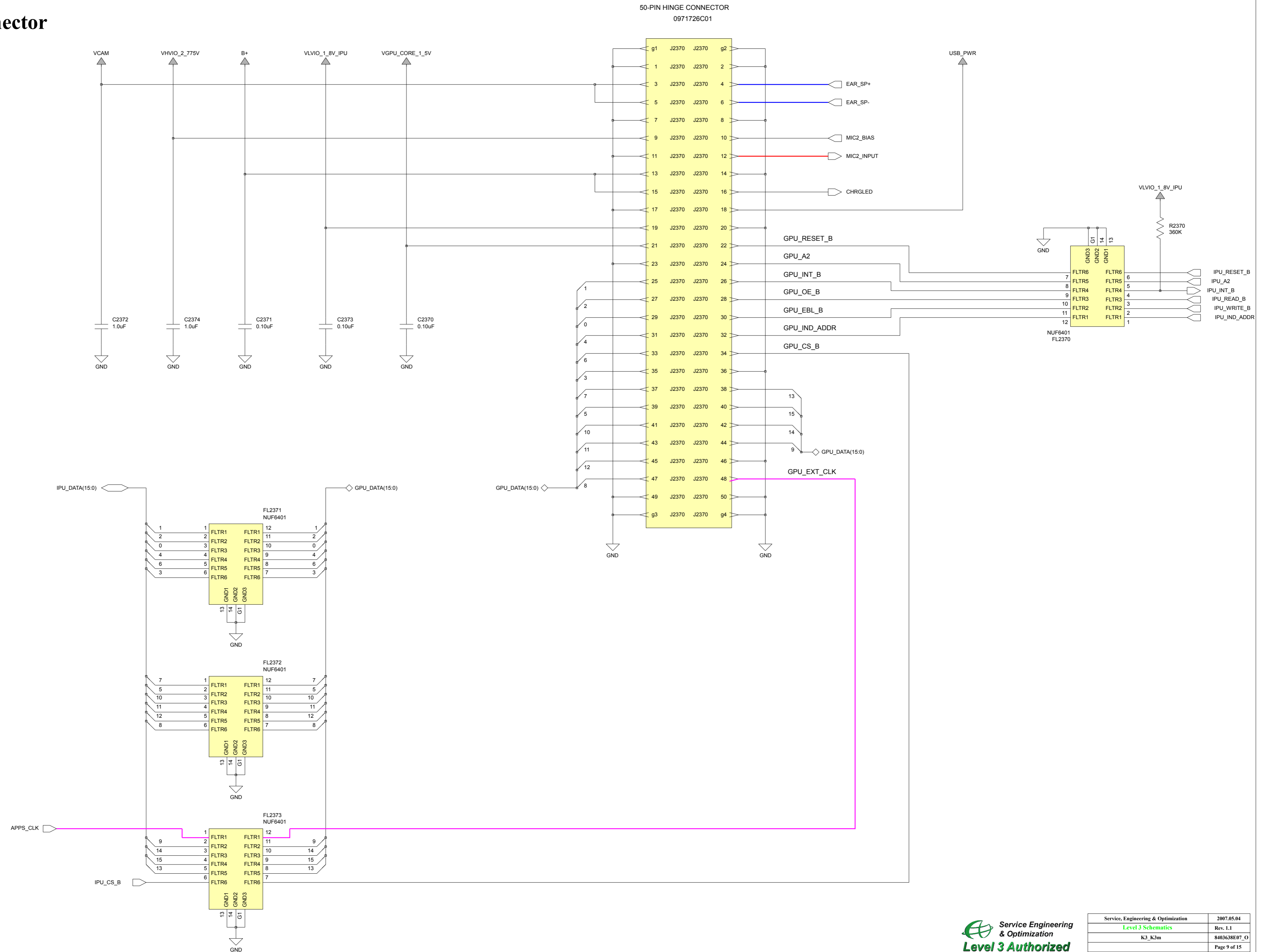


I SHAPE WHITE BGA UNDERFILMS



K3_K3m 8403638E07_0

Flip Conector

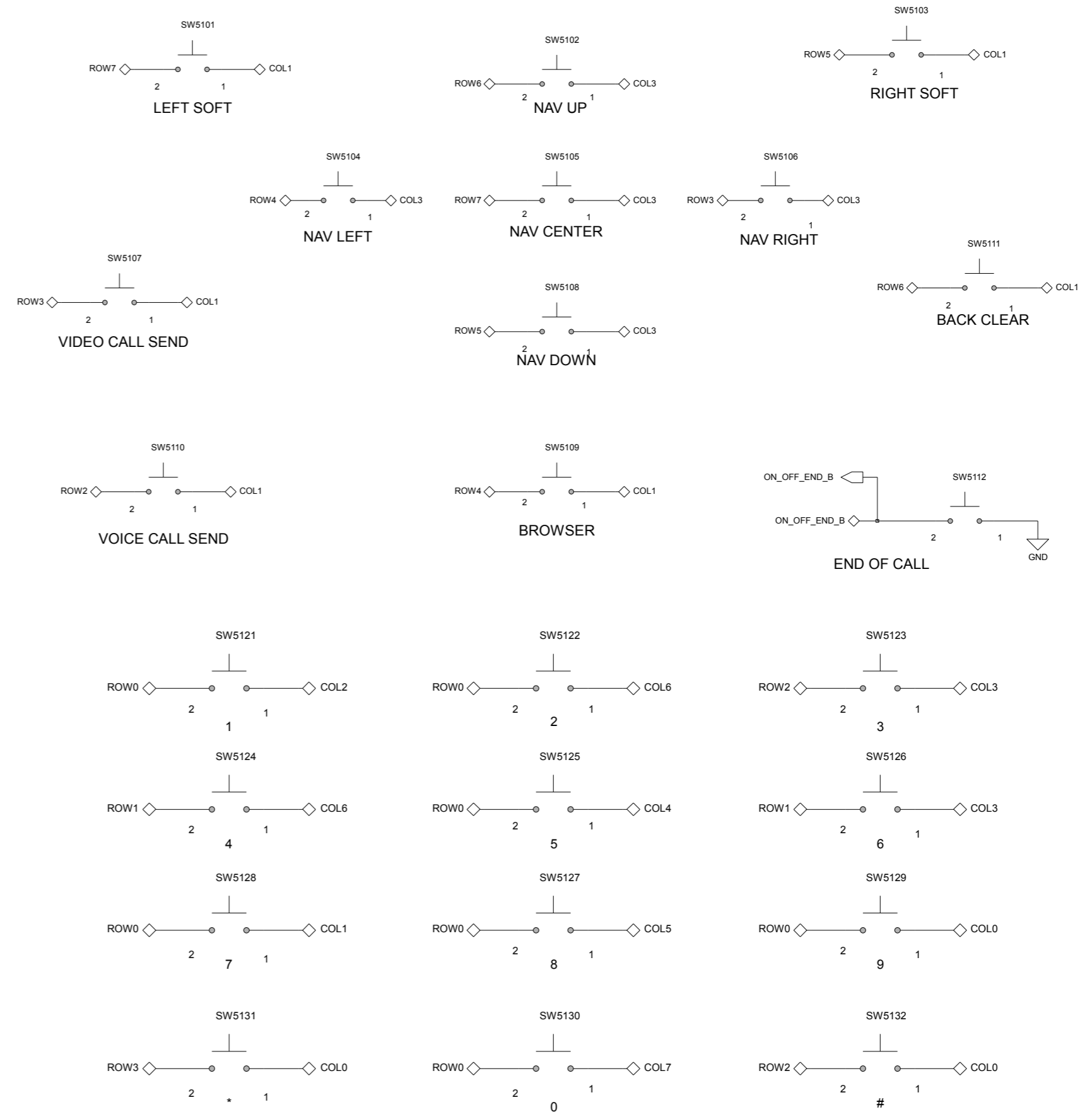
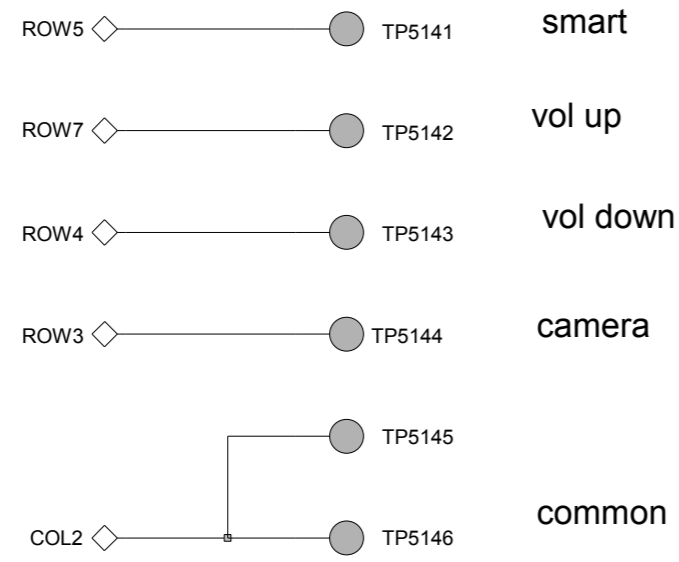
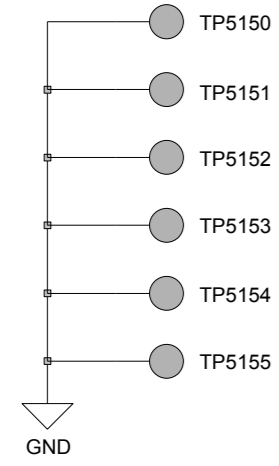


K3_K3m 8403638E07_0

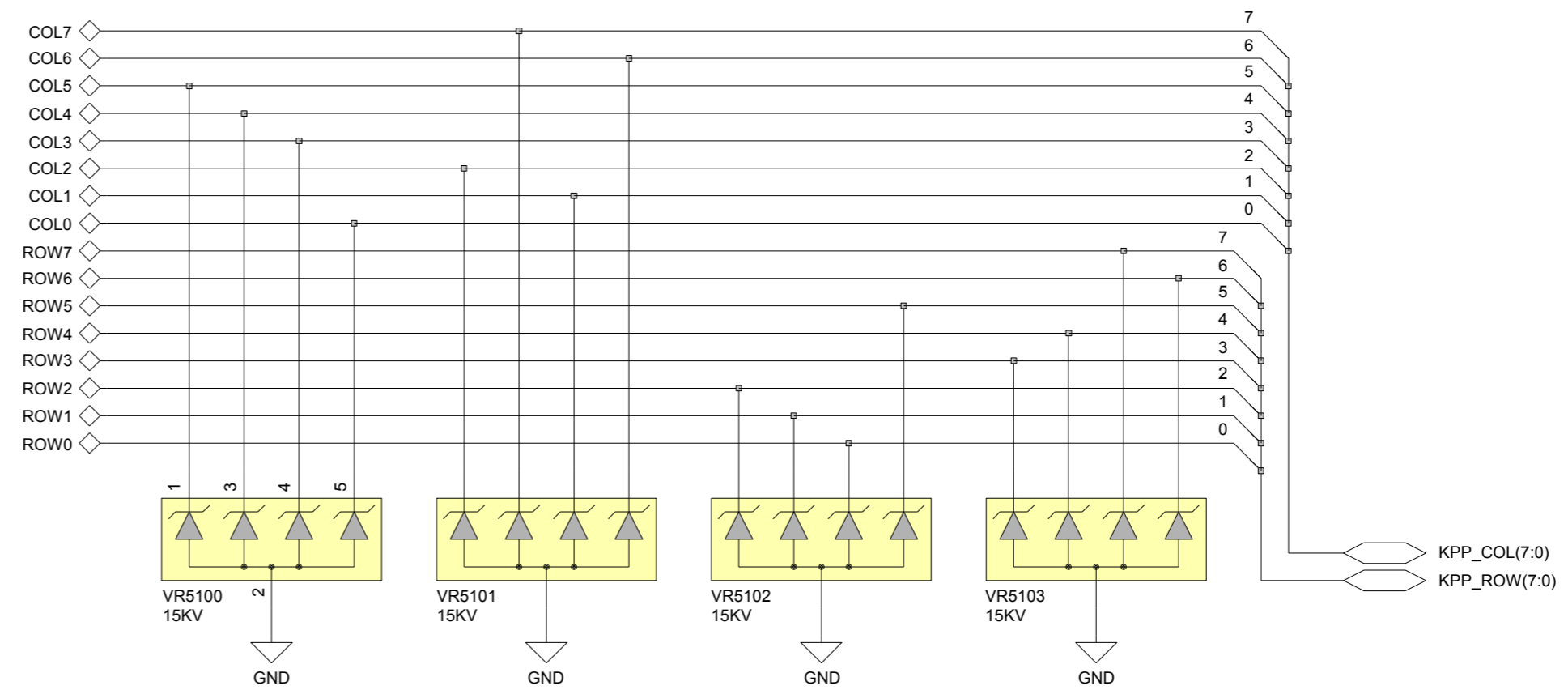
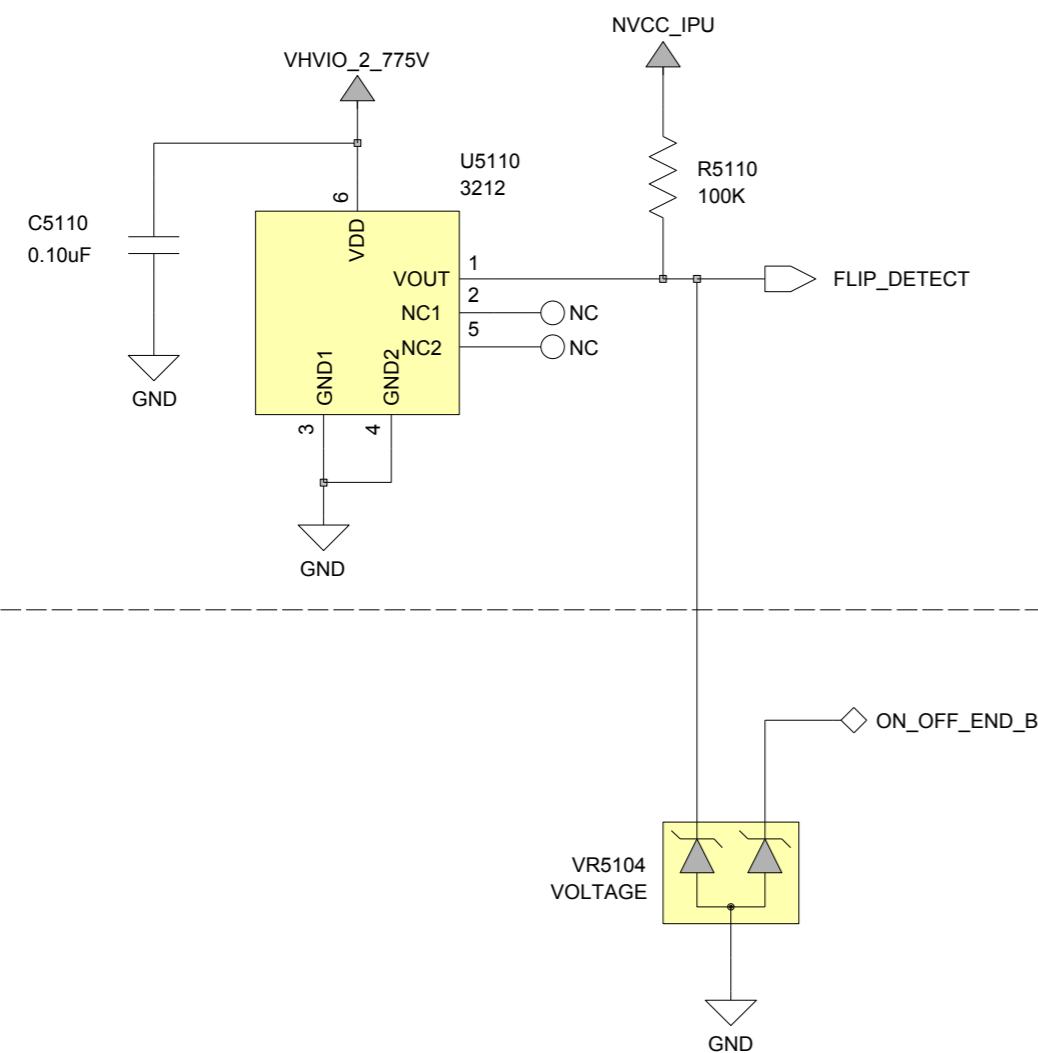
Hall Sensor / Keypad / Side Key

SIDE KEY CONNECTIONS

GROUND CONNECTIONS



FLIP HALL SENSOR

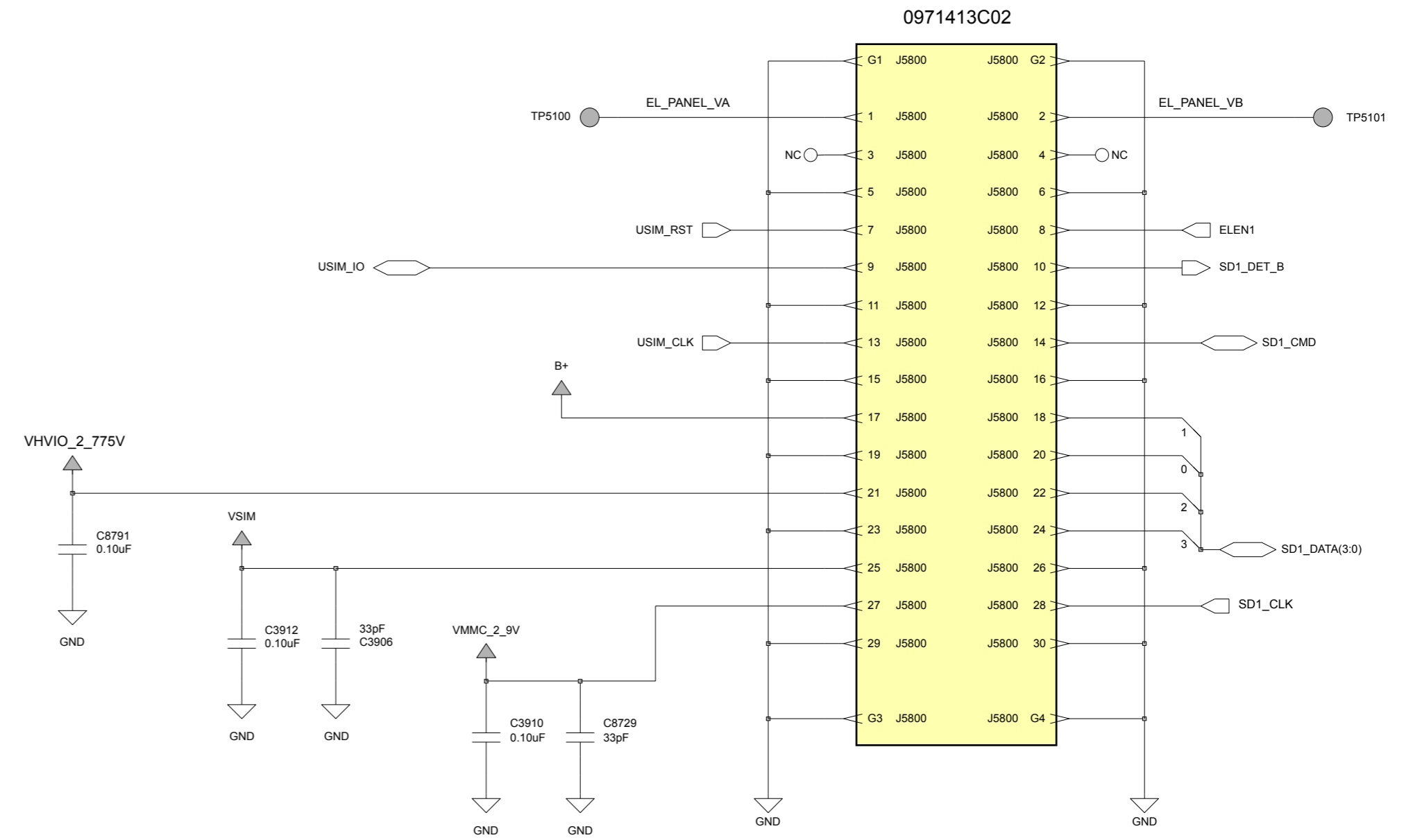
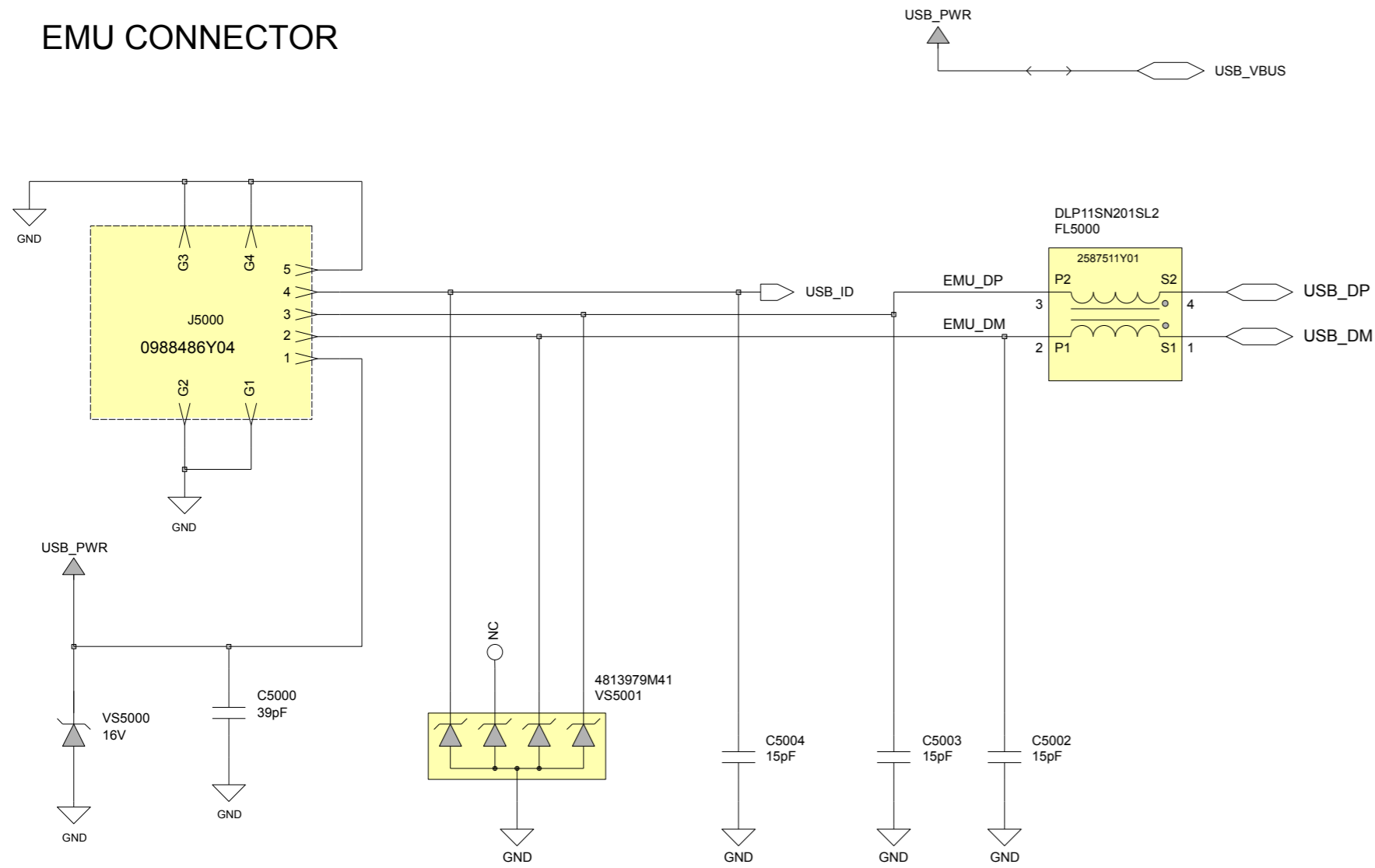


K3_K3m 8403638E07_0

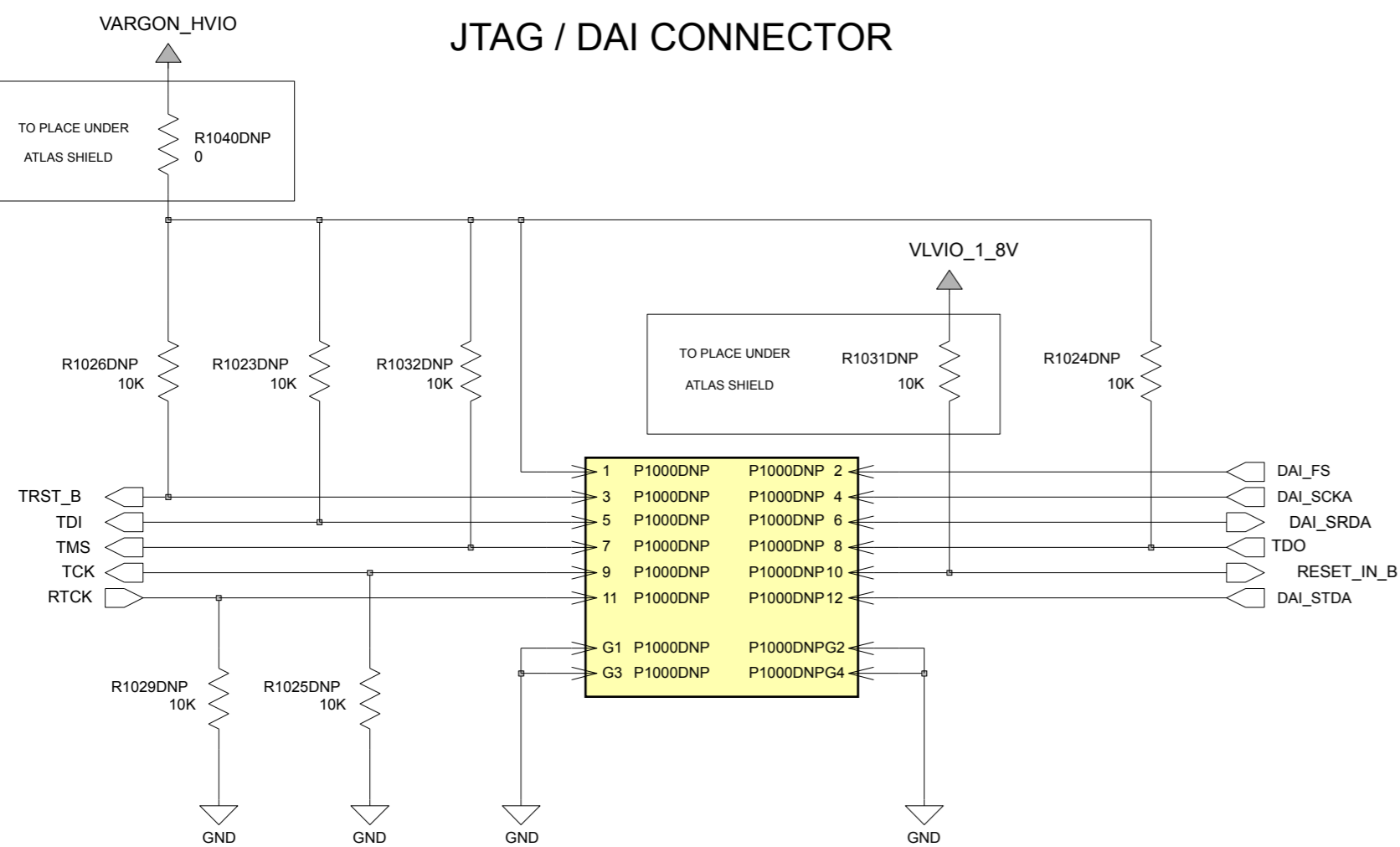
EMU Conector / Daughter Board Conector / JTAG

DAUGHTER BOARD CONNECTOR TRI-FLASH, USIM & EL DRIVER

EMU CONNECTOR

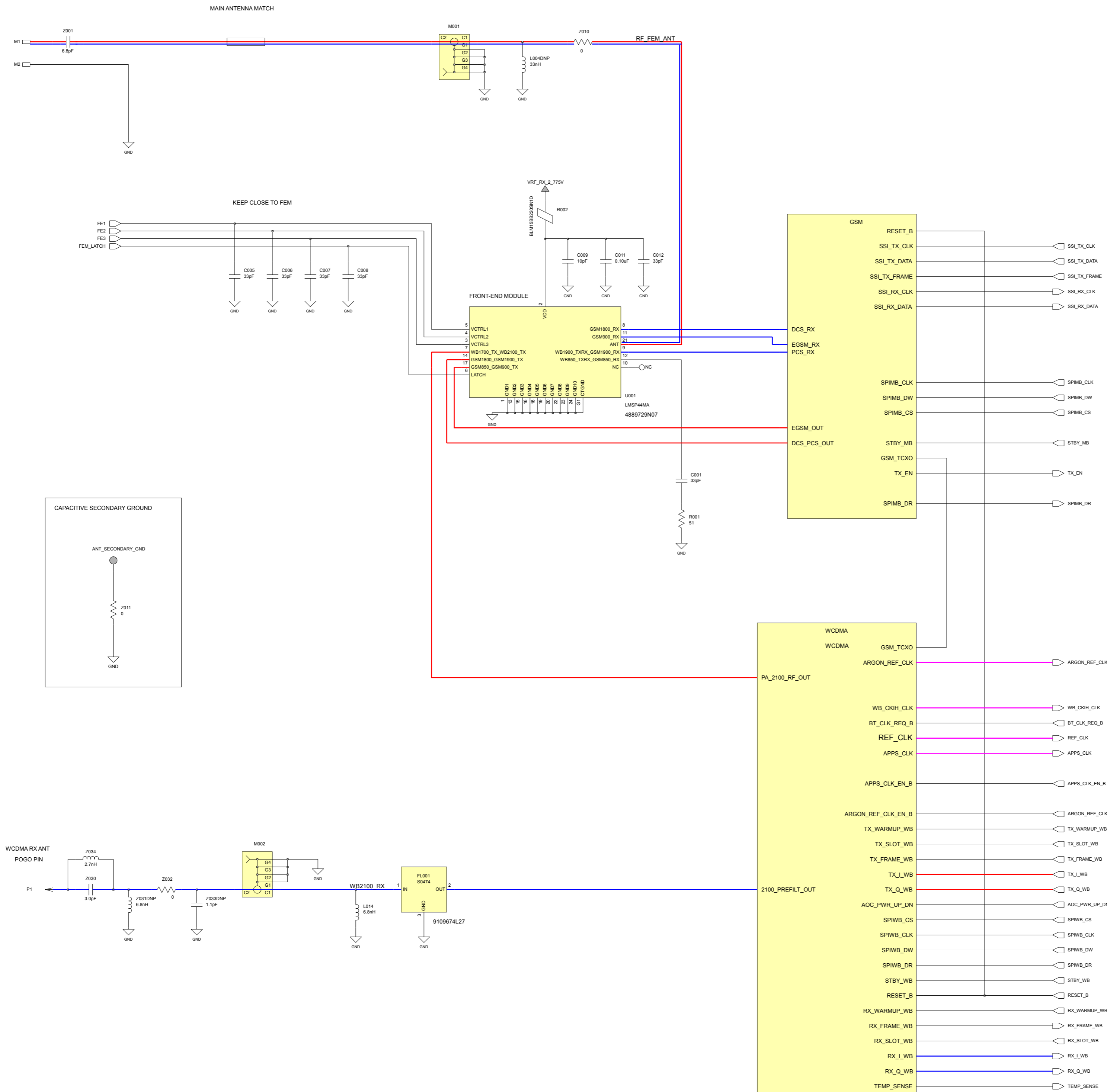


JTAG / DAI CONNECTOR



K3_K3m 8403638E07_0

RF Top



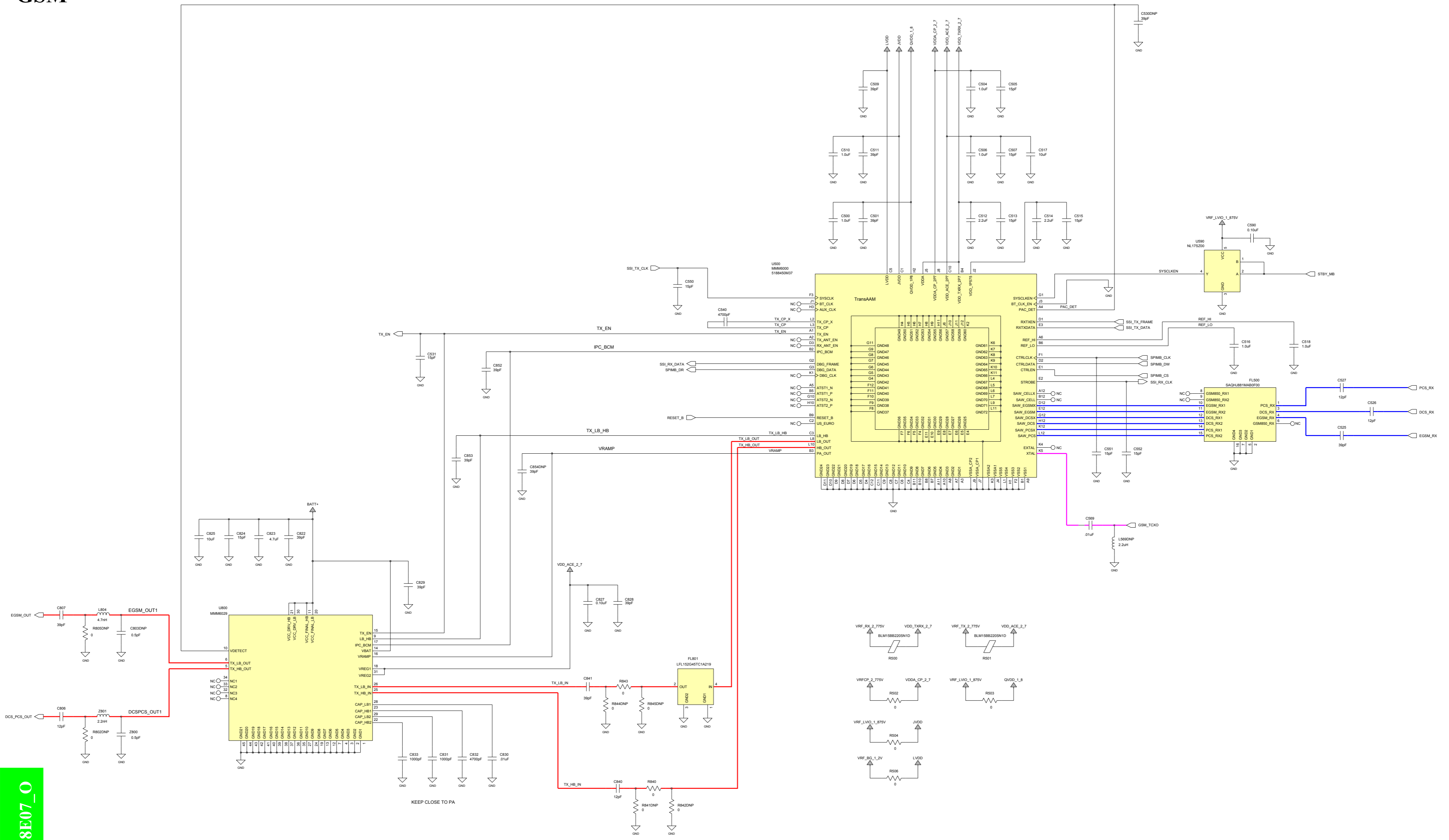
K3_K3m 8403638E07_0



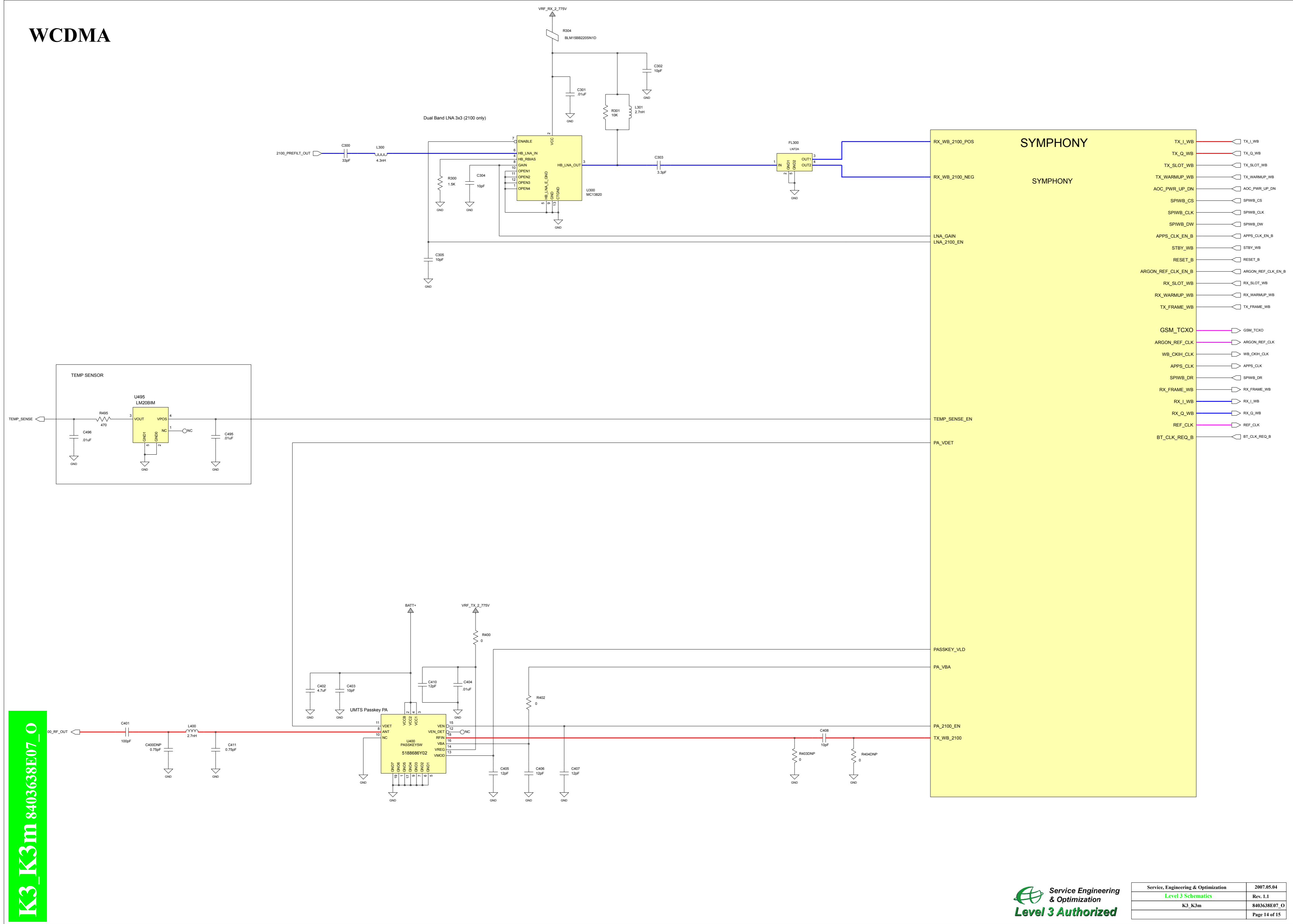
Service, Engineering & Optimization	2007.05.04
Level 3 Schematics	Rev. 1.1
K3_K3m	8403638E07_0
	Page 12 of 15

GSM

K3_K3m 8403638E07_0



WCDMA



K3_K3m 8403638E07_0

